

PARTS CATALOG

HINGE TYPE OFFSET DISK HARROW

GHD-2 3009 A

Code: 0501091214



Series: S-0406

Rev.: 00

Date Rev.: MAIO/2018

**ORIGINAL PARTS
TATU**



PRODUCTS

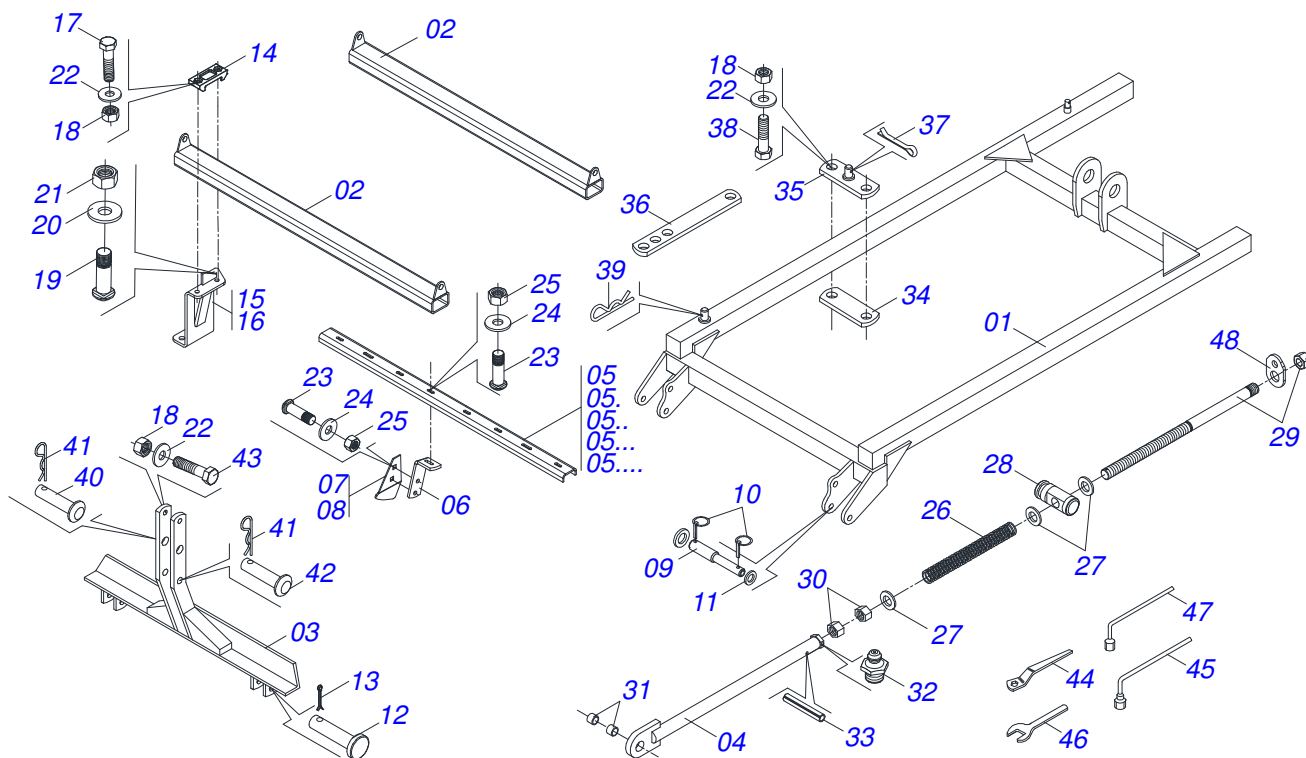
Code	Description
0102220075	GHD-2 3009A 18 X 24 X6,0 DM DR S406
0102220073	GHD-2 3009A 18 X 24 X6,0 DM MT S406
0102220076	GHD-2 3009A 20X24X6,00 DM MT S-0406
0102220080	GHD-2 3009A 22 X 22X 4,50 DM MT S406
0102220067	GHD-2 3009A 22 X 24 X6,0 DM DR S406
0102220053	GHD-2 3009A 22 X 24 X6,0 DM MT S406
0102220056	GHD-2 3009A 22 X24X 4,75 DM MT S406
0102220094	GHD-2 3009A 22X24X6,00 CM MT S-0406
0102220074	GHD-2 3009A 24 X 24 X 6,00 DM DR FF
0102220048	GHD-2 3009A 24 X 24 X6,0 CM DR S406
0102220047	GHD-2 3009A 24 X 24 X6,0 DM DR S406
0102220054	GHD-2 3009A 24 X 24 X6,0 DM MT S406
0102220072	GHD-2 3009A 24 X24X 4,75 DM DR FF
0102220071	GHD-2 3009A 24 X24X 4,75 DM MT FF
0102220051	GHD-2 3009A 24 X24X 4,75 DM MT S406
0102220091	GHD-2 3009A 24X22X 4,5 DM MT S-1104
0102220066	GHD-2 3009A 26 X 24 X6,0 DM DR S406
0102220055	GHD-2 3009A 26 X 24 X6,0 DM MT S406
0102220057	GHD-2 3009A 26 X24X 4,75 DM MT S406
0102220068	GHD-2 3009A 8M 22 X 24X 4,75 DM MT
0102220070	GHD-2 3009A 8M 22 X 24X 6,00 DM DR
0102220069	GHD-2 3009A 8M 22 X 24X 6,00 DM MT

ATTENTION: **IMPORTANT**

MARCHESAN S/A RESERVES THE RIGHT AT ANY TIME TO MAKE IMPROVEMENTS IN THE DESIGN, MATERIAL OR SPECIFICATIONS OF MACHINERY, EQUIPMENT OR PARTS WITHOUT THEREBY BECOMING LIABLE TO MAKE SIMILAR CHANGES IN MACHINERY, EQUIPMENT OR PARTS PREVIOUSLY SOLD.

INDEX

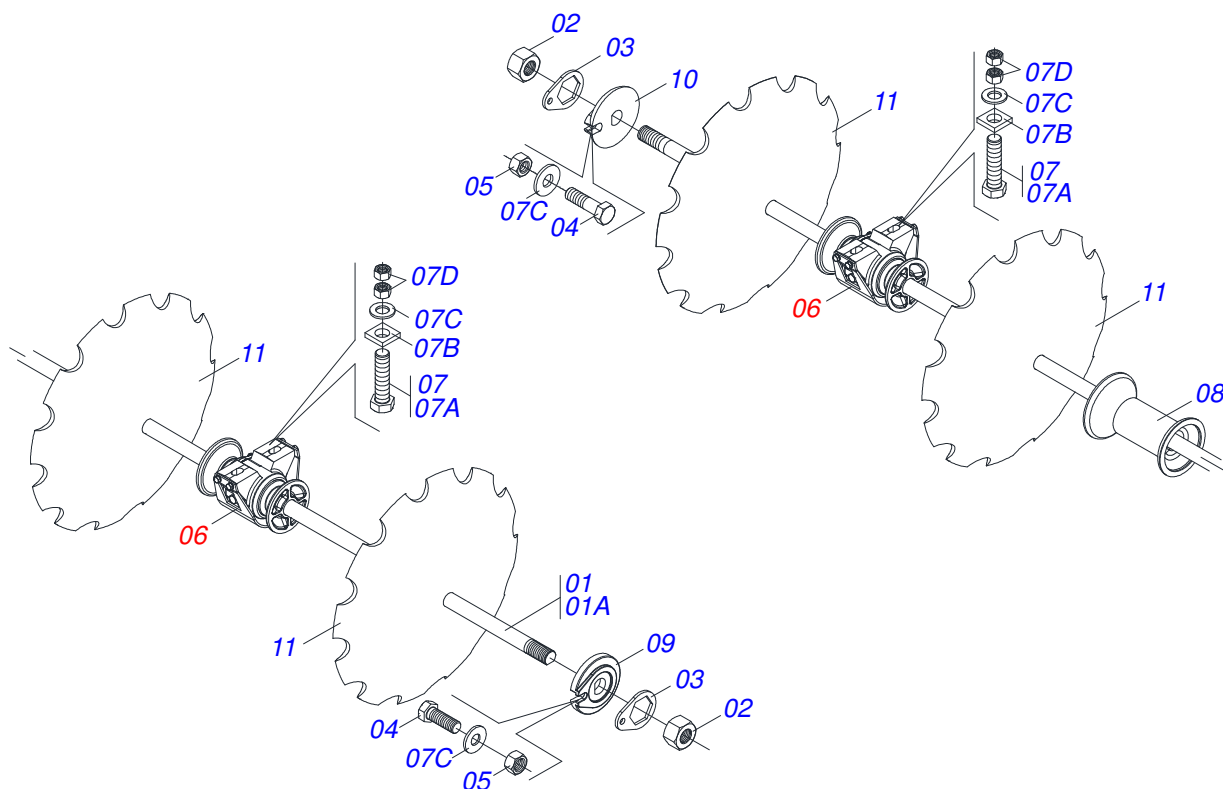
0909094691	GHD-2 3009 A	1
0909094088	SECTION DISCS CUT 18	4
0909094108	SECTION DISCS CUT 22	4
0909094109	SECTION DISCS CUT 24	5
0909094110	SECTION DISCS CUT 26	6
0909094113	MIXED DISC SECTION 22	7
0909094111	MIXED DISC SECTION 24	8
0909094112	MIXED DISC SECTION 26	9
0909094089	MIXED DISC SECTION WITH FINISHING DISC 18	10
0909094107	MIXED DISC SECTION WITH FINISHING DISC 20	11
0909094114	MIXED DISC SECTION WITH FINISHING DISC 22	12
0909094125	MIXED DISC SECTION WITH FINISHING DISC 24	13
0909094126	MIXED DISC SECTION WITH FINISHING DISC	14
0909094127	MIXED DISC SECTION 22 (8 BEARING)	15
0909094128	MIXED DISC SECTION WITH FINISHING DISC 22 (8 BEARING)	16
0909094129	GANG DISC FURROW FILLER R	17
0909094130	MIXED DISC SECTION FURROW FILLER 24	18
0501046311	OIL BATH BEARING	19
0501044317	CM GX 225 1.1/2" PR BEARING ASSY	20



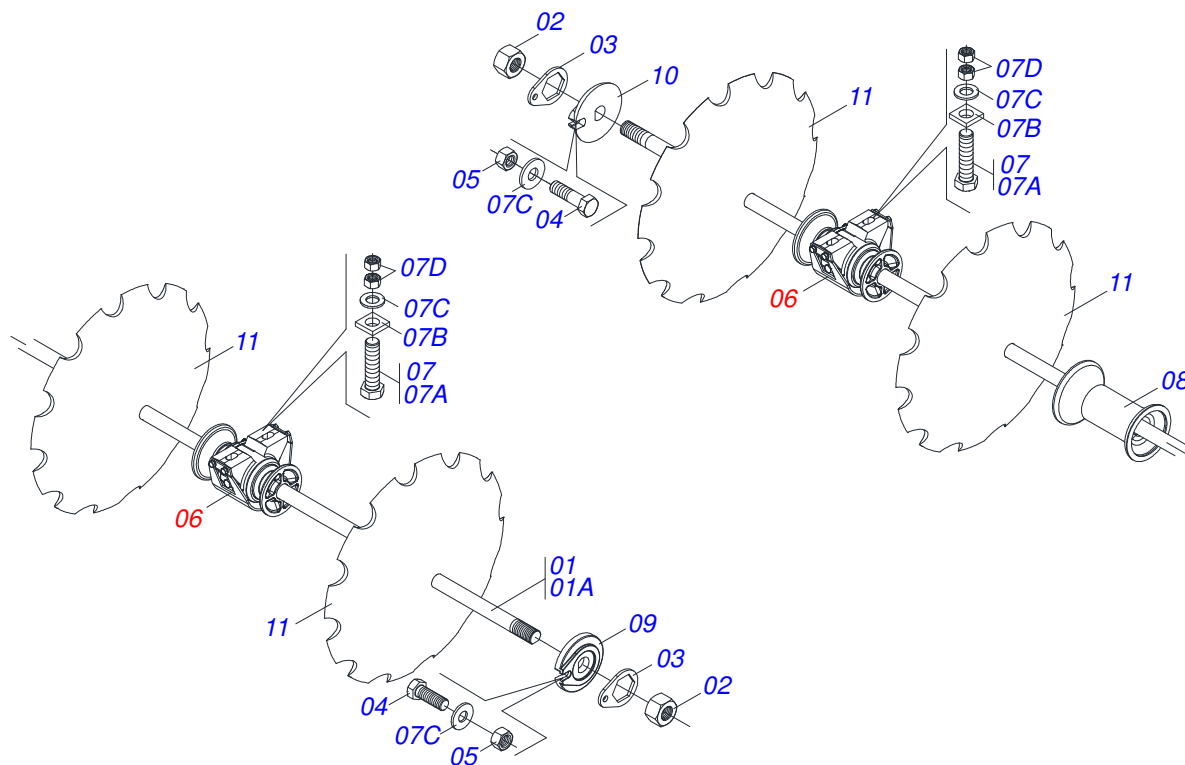
Item	Code	Description	18	20	22	24	26	(22 8 MANCAIS)
01	0511067671	FRAME GHD-2 3009A	01	01	01	01	01	01
02	0511068468	TUBE	02	02	02	02	02	02
03	0511067675	DRAWBAR	01	01	01	01	01	01
04	0511067670	1270 ADJUSTMENT BAR	01	01	01	01	01	01
05	0561012850	SCRAPE FIXING BAR	02	00	00	00	00	00
05..	0551014637	SCRAPER FIXING BAR	00	02	02	00	00	00
05..	0551011371	BAR FIXER SCRAPER	00	00	00	02	02	02
05...	0551018538	SCRAPER FIXING BAR	00	00	00	00	00	02
05....	0551014639	BAR FIXING SCRAPER	00	00	00	00	02	00
06	0541015258	SCRAPER BODY	16	20	20	23	24	20
07	0541015256	SHOVEL SCRAPER	08	09	10	12	12	10
08	0541015257	SHOVEL SCRAPER	08	09	10	11	12	10
09	0551011381	LOWER PIN	02	02	02	02	02	02
10	0503030430	7/16 X 2" PIN LOCK	04	04	04	04	04	04
11	0511017480	FLAT WASHER	02	02	02	02	02	02
12	0551011458	28,50 X 90 PLUGER	02	02	02	02	02	02
13	0503010571	1/4" X 1.1/2 COTTERPIN	02	02	02	02	02	02
14	0502012323	BRACKET FIXER	06	06	06	08	08	08
15	0511065942	RIGHT FRONT BRACKET REAR LEFT	03	03	03	04	04	04
16	0511065266	LEFT FRONT BRACKET REAR RIGHT	03	03	03	04	04	04
17	0503013113	1" X 6" BOLT	12	12	12	16	16	16
18	0501010059	1.5/8 NUT	21	21	21	25	25	25
19	0503010232	5/8" X 1.3/4" BOLT	06	06	06	08	08	08
20	0501012140	FLAT WASHER	06	06	06	08	08	08
21	0503010013	5/8" NUT	06	06	06	08	08	08
22	0541010210	FLAT WASHER	21	21	21	25	25	25
23	0501010243	1/2" X 1-1/2" BOLT	48	60	60	69	72	60
24	0511017302	FLAT WASHER	48	60	60	69	72	60
25	0503010020	1/2"NUT	48	60	60	69	72	60
26	0503032857	40 X 510 X 12,7 COMPRESSION SPRING	01	01	01	01	01	01
27	0501012694	FLAT WASHER	02	02	02	02	02	02
28	0501018141	GUIDE	01	01	01	01	01	01
29	0501069398	CRANK	01	01	01	01	01	01



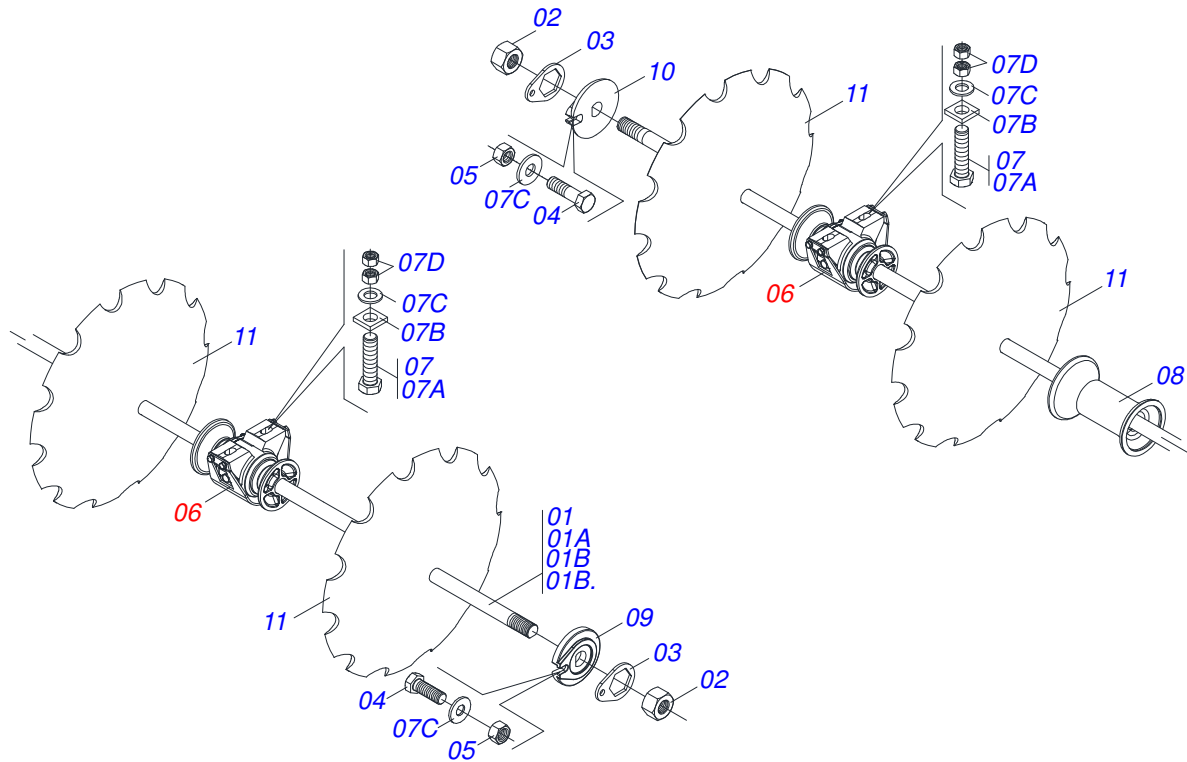
Item	Code	Description	18 20 22 24 26 (22 8 MANCAIS)
30	0521011696	1.1/2" LEFT 38 NUT	02 02 02 02 02 02
31	0551016903	26,5 X 44,45 X 28 SLEEVE	02 02 02 02 02 02
32	0503010002	1800 GREASE FITTING	01 01 01 01 01 01
33	0503010292	0.2" X 1.6" SPRING PIN	01 01 01 01 01 01
34	0551011384	FRAME LOCK PLATE	06 06 06 06 06 06
35	0511067691	FRAME LOCK PLATE	02 02 02 02 02 02
36	0551011379	REGULATOR PLATE FRAME	02 02 02 02 02 02
37	0503010131	3/16" X 1-1/2" COTTERPIN	02 02 02 02 02 02
38	0503014180	1" X 10 BOLT	08 08 08 08 08 08
39	0503030012	HAIR PIN	02 02 02 02 02 02
40	0521010545	1.2" X 5.1" COUPLING SHAFT	01 01 01 01 01 01
41	0503031035	HAIR PIN	02 02 02 02 02 02
42	0521010580	COUPLING SHAFT	01 01 01 01 01 01
43	0501010372	1" X 5-1/2" BOLT	01 01 01 01 01 01
44	0501011432	1-1/2" AND 1-5/8 GANG BOLT WRENCH	02 02 02 02 02 02
45	0501061617	1" GANG BOLT WRENCH	01 01 01 01 01 01
46	0511010153	2-5/16" FIXED WRENCH	01 01 01 01 01 01
47	0501068273	5/8" WRENCH	01 01 01 01 01 01
48	0551016902	LIFT EAR	01 01 01 01 01 01



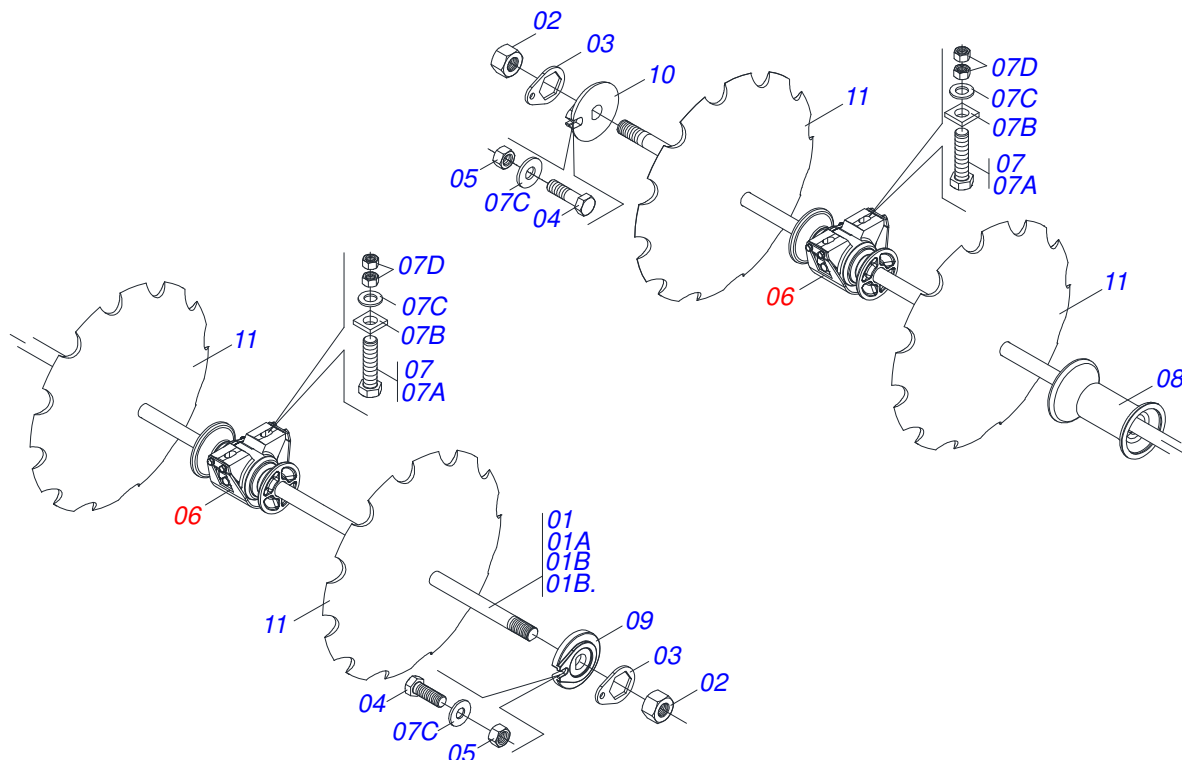
Item	Code	Description	QT
01	0511022285	1.1/2 X 1965 DM AXLE ASSY	02
01A	0511010230	1-1/2" X 77" AXLE	02
02	0501010110	1.1/2" NUT	04
03	0501018592	1.5/8" NUT LOCK	04
04	0503011267	5/8" X 1.1/2" BOLT	04
05	0503010013	5/8" NUT	04
06	0501046311	OIL BATH BEARING	06
07	0501058802	5/8 UNC X 2.3/4 BOLT ASSY	12
07A	0503015154	5/8" X 2.3/4" BOLT	12
07B	0501010947	5/8 NUT LOCK	12
07C	0501012140	FLAT WASHER	12
07D	0503010013	5/8" NUT	24
08	0502010621	8.8" 1-1/2" SPACER	10
09	0502010871	1-1/2" EXTERNAL AXLE WASHER	02
10	0502010872	1-1/2" INNER AXLE WASHER	02
11	0602030421	24" X 6 NOTCHED DISC	18



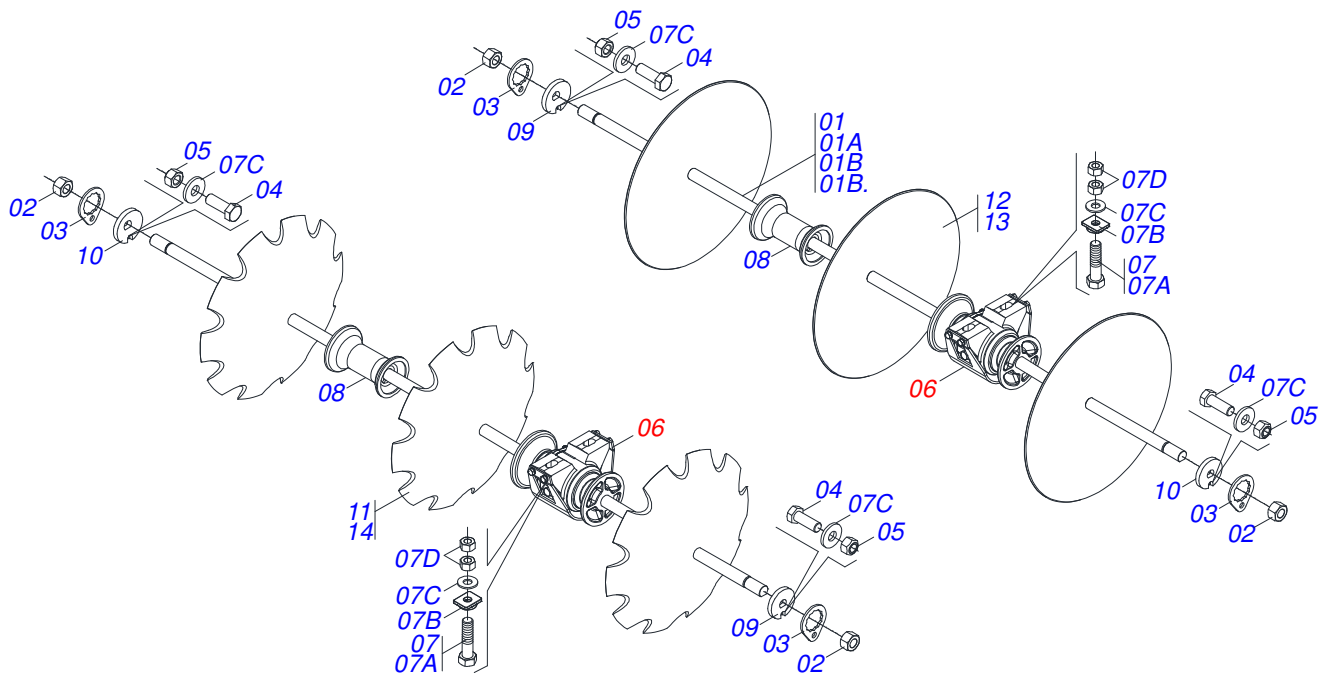
Item	Code	Description	QT
01	0511022292	1.1/2 X 2415 AXLE ASSY	02
01A	0551013705	AXLE 1.1/2 6FPP X 2415	02
02	0501010110	1.1/2" NUT	04
03	0501018592	1.5/8" NUT LOCK	04
04	0503011267	5/8" X 1.1/2" BOLT	04
05	0503010013	5/8" NUT	04
06	0501046311	OIL BATH BEARING	06
07	0501058802	5/8 UNC X 2.3/4 BOLT ASSY	12
07A	0503015154	5/8" X 2.3/4" BOLT	12
07B	0501010947	5/8 NUT LOCK	12
07C	0501012140	FLAT WASHER	12
07D	0503010013	5/8" NUT	24
08	0502010621	8.8" 1-1/2" SPACER	10
09	0502010871	1-1/2" EXTERNAL AXLE WASHER	02
10	0502010872	1-1/2" INNER AXLE WASHER	02
11	0602030421	24" X 6 NOTCHED DISC	22



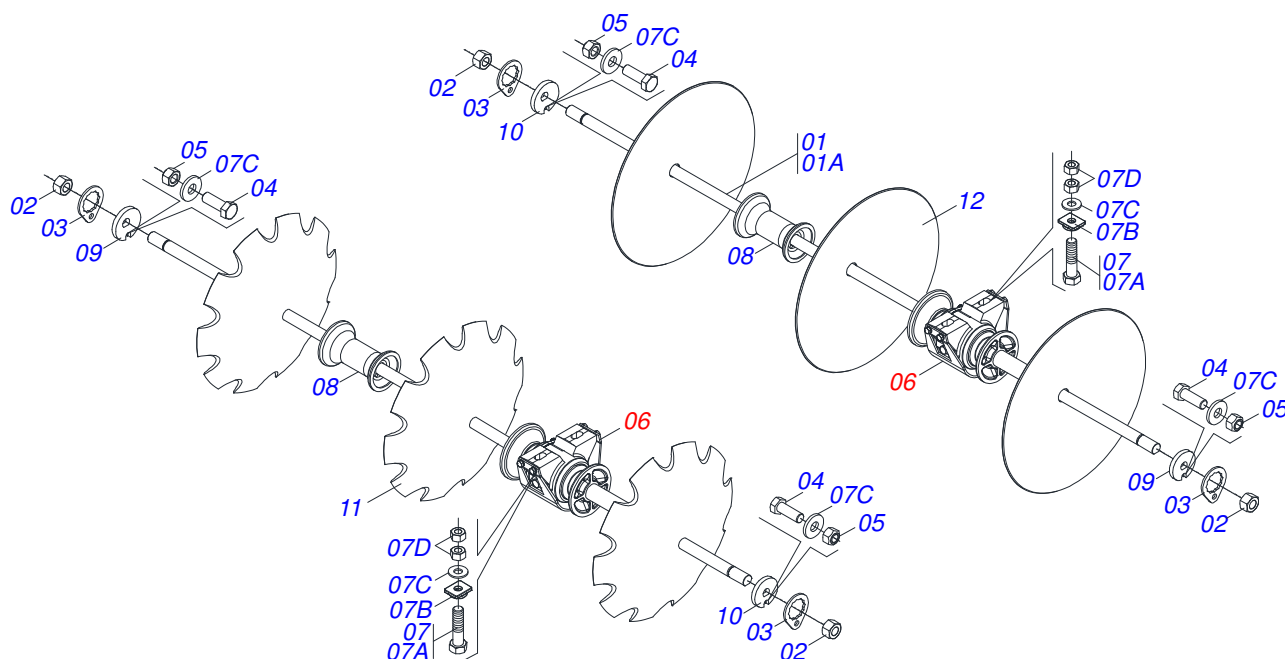
Item	Code	Description	QT
01	0511021806	1.1/2 X 1285 AXLE	02
01A	0541014457	1.1/2" 6FPP X 1285 AXLE	02
01B	0511021790	1.1/2" X 1285 AXLE	02
01B.	0541014457	1.1/2" 6FPP X 1285 AXLE	02
02	0501010110	1.1/2" NUT	08
03	0501018592	1.5/8" NUT LOCK	08
04	0503011267	5/8" X 1.1/2" BOLT	08
05	0503010013	5/8" NUT	08
06	0501046311	OIL BATH BEARING	08
07	0501058802	5/8 UNC X 2.3/4 BOLT ASSY	16
07A	0503015154	5/8" X 2.3/4" BOLT	16
07B	0501010947	5/8 NUT LOCK	16
07C	0501012140	FLAT WASHER	16
07D	0503010013	5/8" NUT	32
08	0502010621	8.8" 1-1/2" SPACER	12
09	0502010871	1-1/2" EXTERNAL AXLE WASHER	04
10	0502010872	1-1/2" INNER AXLE WASHER	04
11	0602030421	24" X 6 NOTCHED DISC	24



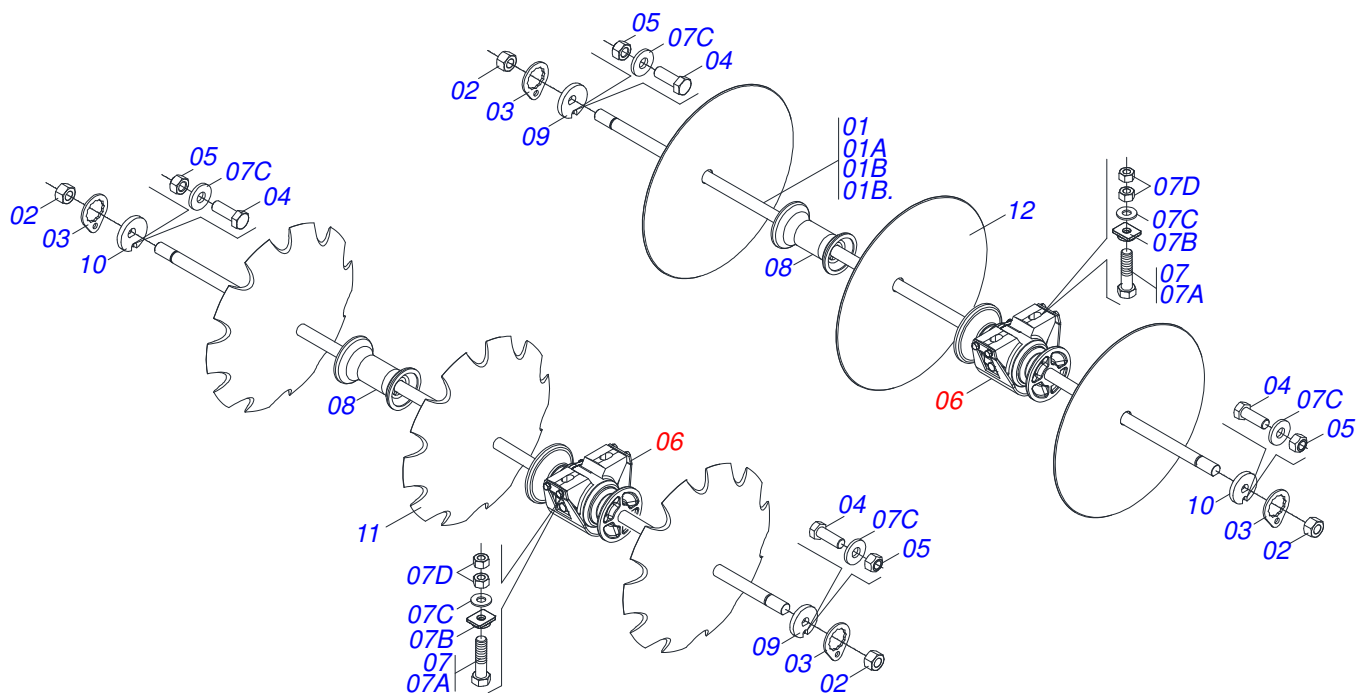
Item	Code	Description	QT
01	0511022293	1.1/2 X 1275 DM IMP AXLE ASSY	02
01A	0511012600	1-1/2" X 1275 AXLE	02
01B	0511022295	1.1/2 X 1505 DM IMP EXLE ASSY	02
01B.	0511012601	1.1/2" X 1505 AXLE	02
02	0501010110	1.1/2" NUT	08
03	0501018592	1.5/8" NUT LOCK	08
04	0503011267	5/8" X 1.1/2" BOLT	08
05	0503010013	5/8" NUT	08
06	0501046311	OIL BATH BEARING	08
07	0501058802	5/8 UNC X 2.3/4 BOLT ASSY	16
07A	0503015154	5/8" X 2.3/4" BOLT	16
07B	0501010947	5/8 NUT LOCK	16
07C	0501012140	FLAT WASHER	16
07D	0503010013	5/8" NUT	32
08	0502010621	8.8" 1-1/2" SPACER	14
09	0502010871	1-1/2" EXTERNAL AXLE WASHER	04
10	0502010872	1-1/2" INNER AXLE WASHER	04
11	0602030421	24" X 6 NOTCHED DISC	26



Item	Code	Description	QT
01	0511022293	1.1/2 X 1275 DM IMP AXLE ASSY	02
01A	0511012600	1-1/2" X 1275 AXLE	02
01B	0511022295	1.1/2 X 1505 DM IMP EXLE ASSY	02
01B.	0511012601	1.1/2" X 1505 AXLE	02
02	0501010110	1.1/2" NUT	04
03	0501018592	1.5/8" NUT LOCK	04
04	0503011267	5/8" X 1.1/2" BOLT	04
05	0503010013	5/8" NUT	04
06	0501046311	OIL BATH BEARING	06
07	0501058802	5/8 UNC X 2.3/4 BOLT ASSY	16
07A	0503015154	5/8" X 2.3/4" BOLT	16
07B	0501010947	5/8 NUT LOCK	16
07C	0501012140	FLAT WASHER	16
07D	0503010013	5/8" NUT	32
08	0502010621	8.8" 1-1/2" SPACER	14
09	0502010871	1-1/2" EXTERNAL AXLE WASHER	04
10	0502010872	1-1/2" INNER AXLE WASHER	04
11	0602030419	24" X 4,75" NOTCHED DISC BLADE	11
12	0601031114	24" X 4,75 PLAIN DISC BLADE	11
13	0601029406	22" X 4,5 PLAIN DISC BLADE	11
14	0602029409	22" X 4,5 NOTCHED DISC BLADE	11

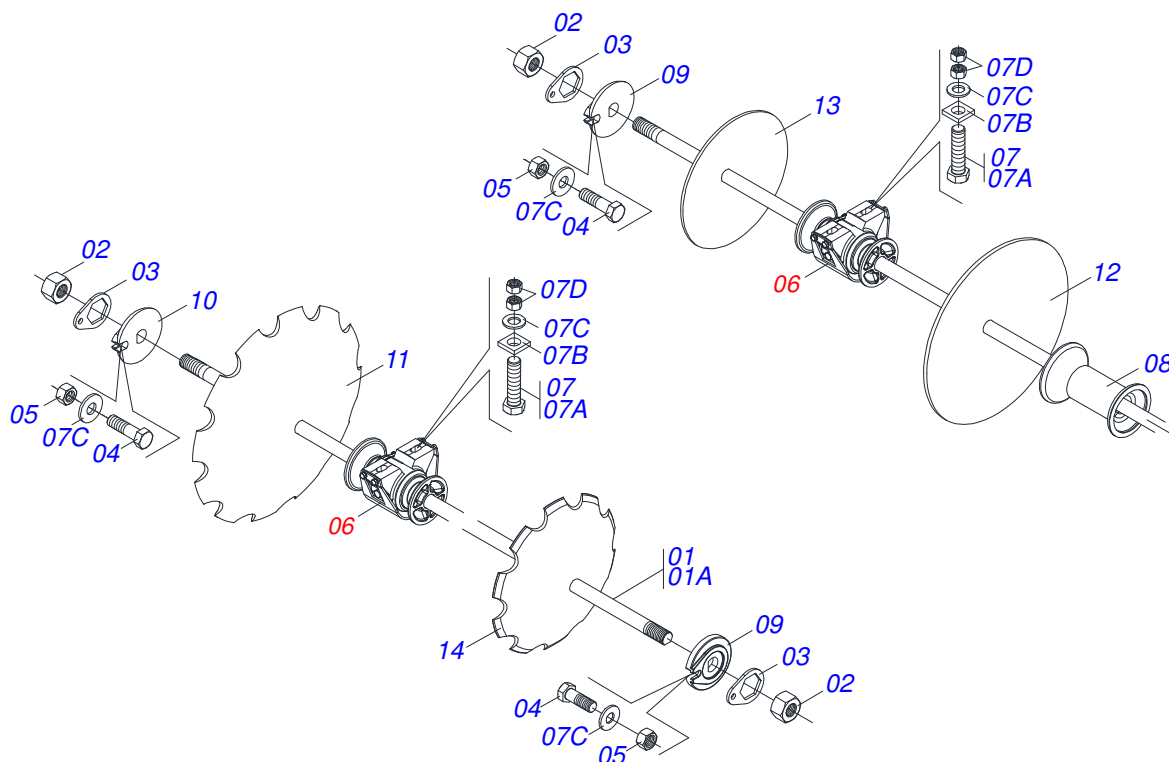


Item	Code	Description	QT
01	0511021790	1.1/2" X 1285 AXLE	04
01A	0541014457	1.1/2" 6FPF X 1285 AXLE	04
02	0501010110	1.1/2" NUT	04
03	0501018592	1.5/8" NUT LOCK	04
04	0503011267	5/8" X 1.1/2" BOLT	04
05	0503010013	5/8" NUT	04
06	0501046311	OIL BATH BEARING	08
07	0501058802	5/8 UNC X 2.3/4 BOLT ASSY	16
07A	0503015154	5/8" X 2.3/4" BOLT	16
07B	0501010947	5/8 NUT LOCK	16
07C	0501012140	FLAT WASHER	16
07D	0503010013	5/8" NUT	32
08	0502010621	8.8" 1-1/2" SPACER	12
09	0502010872	1-1/2" INNER AXLE WASHER	04
10	0502010871	1-1/2" EXTERNAL AXLE WASHER	04
11	0602030419	24" X 4,75" NOTCHED DISC BLADE	12
12	0601031114	24" X 4,75 PLAIN DISC BLADE	12



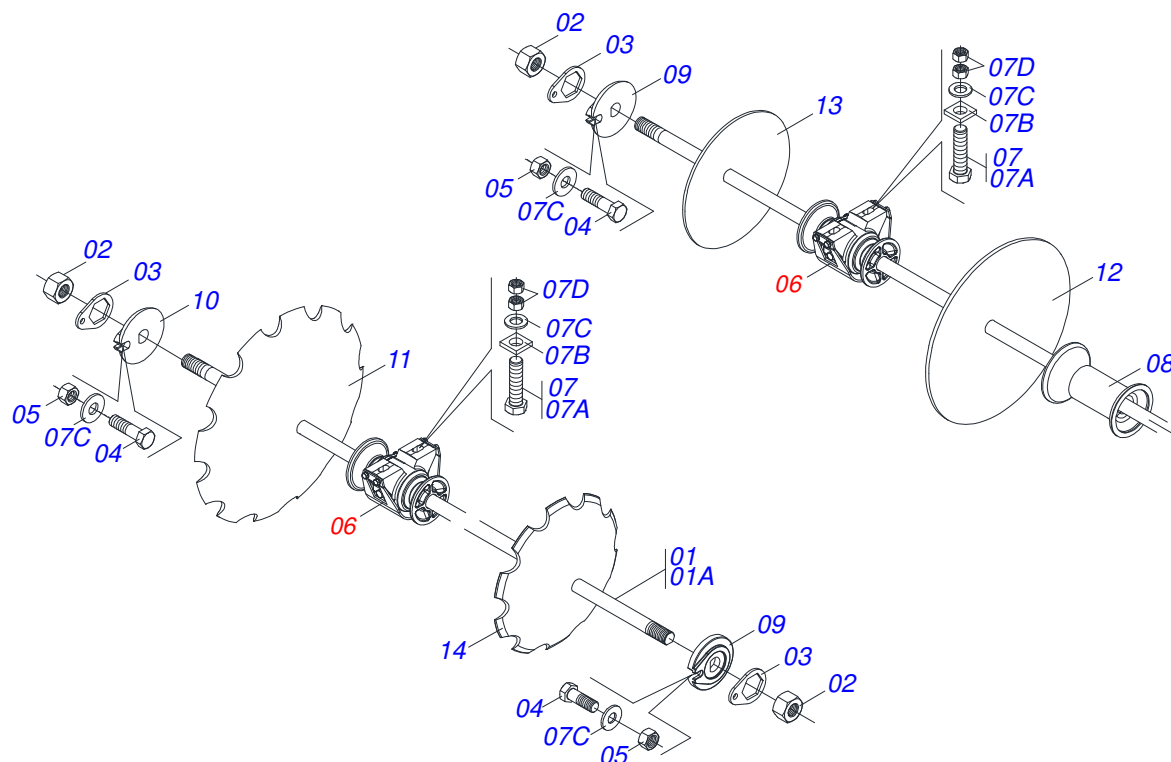
Item	Code	Description	QT
01	0511022293	1.1/2 X 1275 DM IMP AXLE ASSY	02
01A	0511012600	1-1/2" X 1275 AXLE	02
01B	0511022295	1.1/2 X 1505 DM IMP EXLE ASSY	02
01B.	0511012601	1.1/2" X 1505 AXLE	02
02	0501010110	1.1/2" NUT	04
03	0501018592	1.5/8" NUT LOCK	04
04	0503011267	5/8" X 1.1/2" BOLT	04
05	0503010013	5/8" NUT	04
06	0501046311	OIL BATH BEARING	08
07	0501058802	5/8 UNC X 2.3/4 BOLT ASSY	16
07A	0503015154	5/8" X 2.3/4" BOLT	16
07B	0501010947	5/8 NUT LOCK	16
07C	0501012140	FLAT WASHER	16
07D	0503010013	5/8" NUT	32
08	0502010621	8.8" 1-1/2" SPACER	14
09	0502010871	1-1/2" EXTERNAL AXLE WASHER	04
10	0502010872	1-1/2" INNER AXLE WASHER	04
11	0602030419	24" X 4,75" NOTCHED DISC BLADE	13
12	0601031114	24" X 4,75 PLAIN DISC BLADE	13

MIXED DISC SECTION WITH FINISHING DISC 18

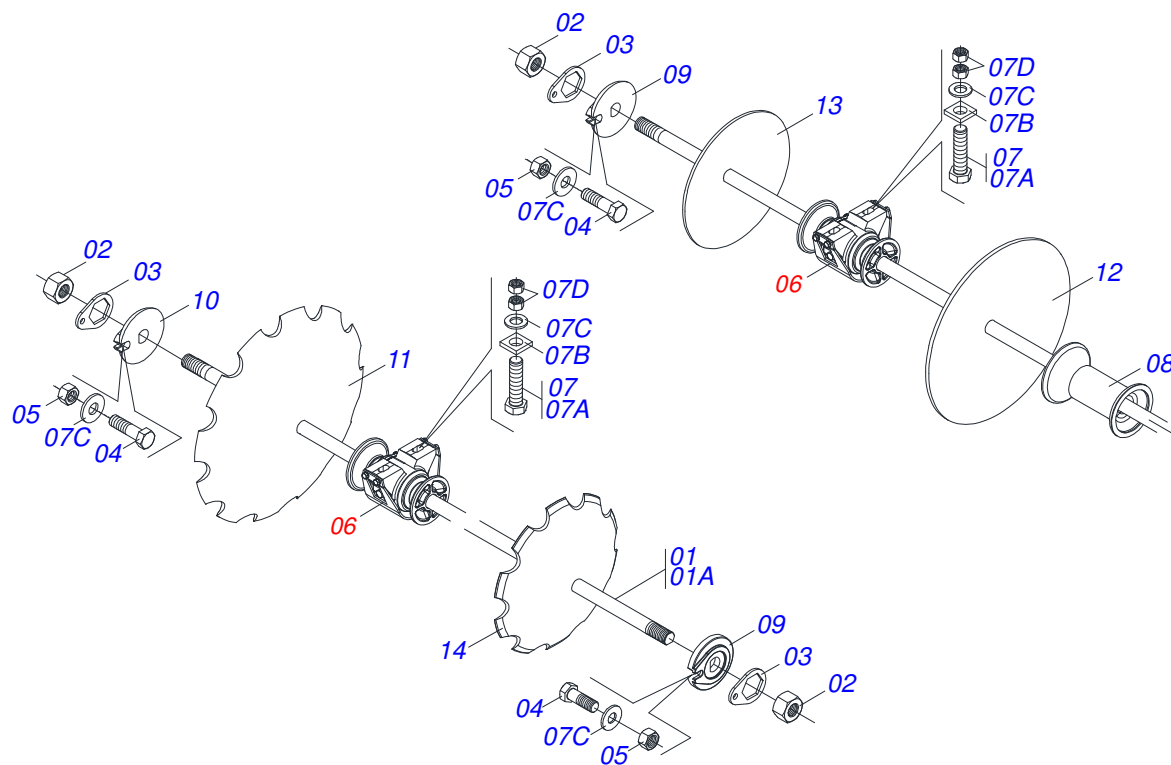


Item	Code	Description	QT
01	0511022285	1.1/2 X 1965 DM AXLE ASSY	02
01A	0511010230	1-1/2" X 77" AXLE	02
02	0501010110	1.1/2" NUT	04
03	0501018592	1.5/8" NUT LOCK	04
04	0503011267	5/8" X 1.1/2" BOLT	04
05	0503010013	5/8" NUT	04
06	0501046311	OIL BATH BEARING	06
07	0501058802	5/8 UNC X 2.3/4 BOLT ASSY	12
07A	0503015154	5/8" X 2.3/4" BOLT	12
07B	0501010947	5/8 NUT LOCK	12
07C	0501012140	FLAT WASHER	12
07D	0503010013	5/8" NUT	24
08	0502010621	8.8" 1-1/2" SPACER	10
09	0502010871	1-1/2" EXTERNAL AXLE WASHER	02
10	0502010872	1-1/2" INNER AXLE WASHER	02
11	0602030421	24" X 6 NOTCHED DISC	08
12	0601031116	24 X 6 PLAIN DISC	08
13	0601029409	DL22X6 C74AF02FR1.9/16 TATU	01
14	0602029413	DR22X6 C74AF02FR1.9/16 10REC TATU	01

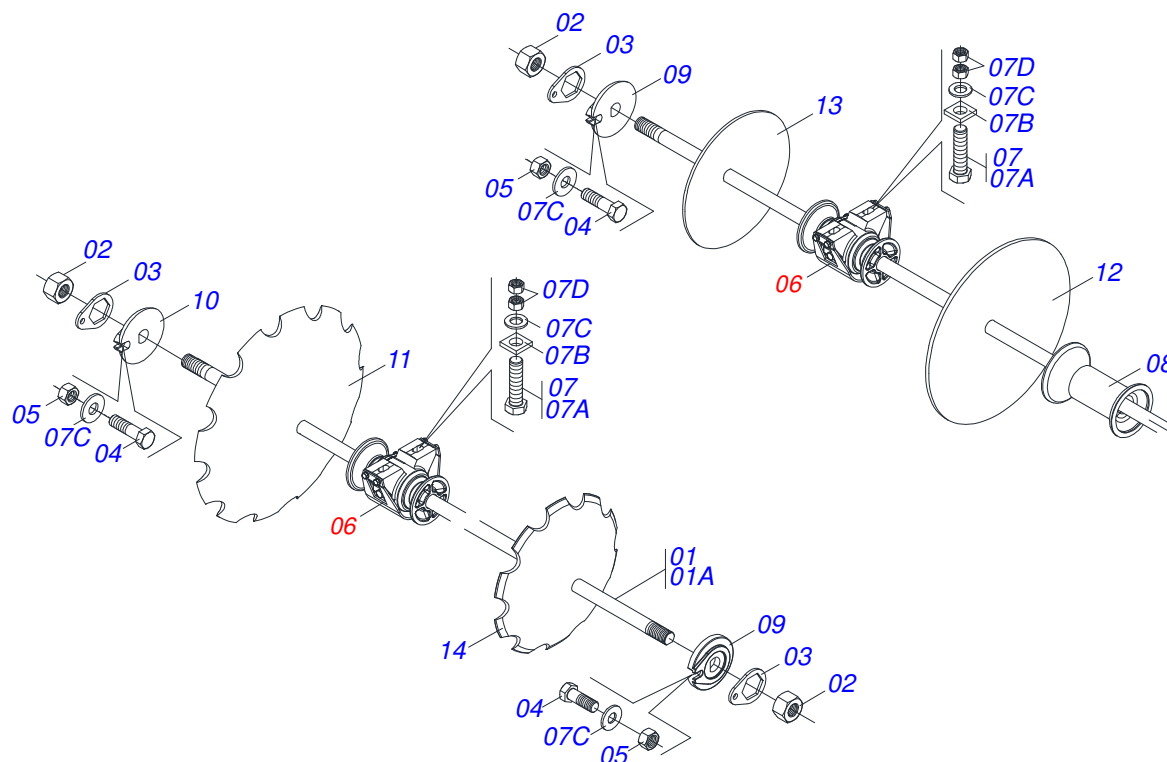
MIXED DISC SECTION WITH FINISHING DISC 20



Item	Code	Description	QT
01	0511024924	1.1/2 X 2195 AXLE	02
01A	0511012602	1-1/2" X 86" AXLE	02
02	0501010110	1.1/2" NUT	04
03	0501018592	1.5/8" NUT LOCK	04
04	0503011267	5/8" X 1.1/2" BOLT	04
05	0503010013	5/8" NUT	04
06	0501046311	OIL BATH BEARING	06
07	0501058802	5/8 UNC X 2.3/4 BOLT ASSY	12
07A	0503015154	5/8" X 2.3/4" BOLT	12
07B	0501010947	5/8 NUT LOCK	12
07C	0501012140	FLAT WASHER	12
07D	0503010013	5/8" NUT	24
08	0502010621	8.8" 1-1/2" SPACER	10
09	0502010871	1-1/2" EXTERNAL AXLE WASHER	02
10	0502010872	1-1/2" INNER AXLE WASHER	02
11	0602030421	24" X 6 NOTCHED DISC	09
12	0601031116	24 X 6 PLAIN DISC	09
13	0601029409	DL22X6 C74AF02FR1.9/16 TATU	01
14	0602029413	DR22X6 C74AF02FR1.9/16 10REC TATU	01

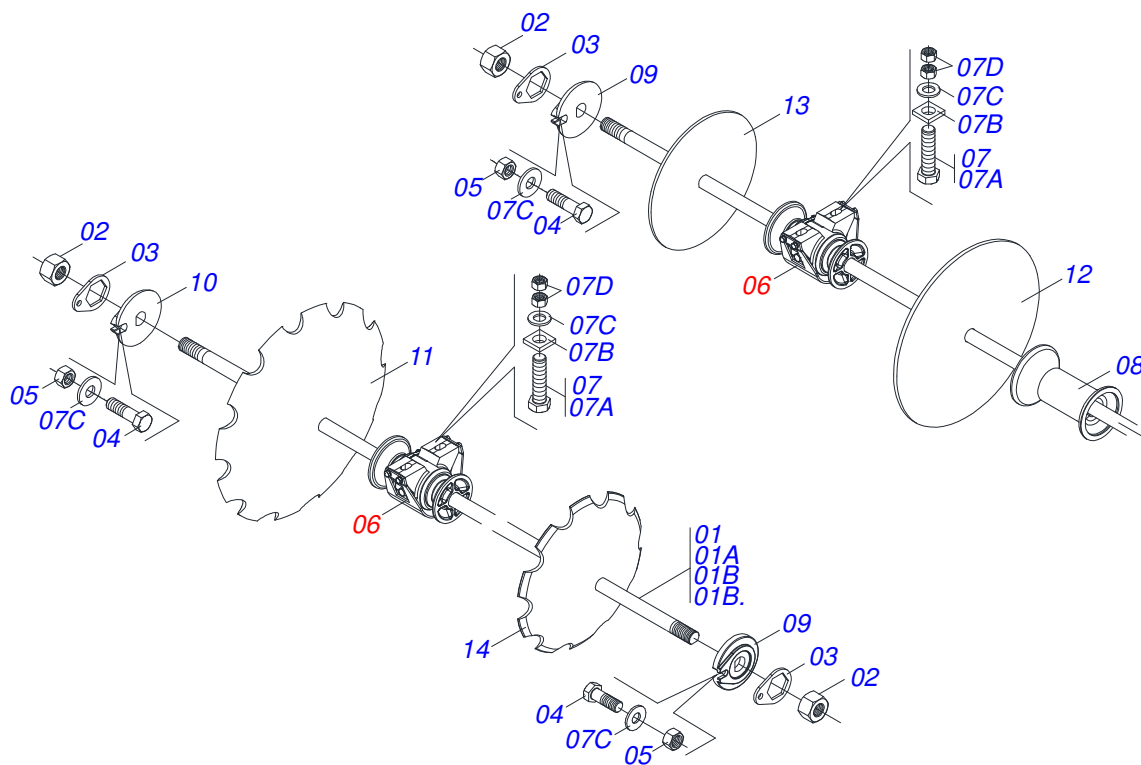


Item	Code	Description	QT
01	0511022292	1.1/2 X 2415 AXLE ASSY	02
01A	0551013705	AXLE 1.1/2 6FPP X 2415	02
02	0501010110	1.1/2" NUT	04
03	0501018592	1.5/8" NUT LOCK	04
04	0503011267	5/8" X 1.1/2" BOLT	04
05	0503010013	5/8" NUT	04
06	0501046311	OIL BATH BEARING	06
07	0501058802	5/8 UNC X 2.3/4 BOLT ASSY	12
07A	0503015154	5/8" X 2.3/4" BOLT	12
07B	0501010947	5/8 NUT LOCK	12
07C	0501012140	FLAT WASHER	12
07D	0503010013	5/8" NUT	24
08	0502010621	8.8" 1-1/2" SPACER	14
09	0502010871	1-1/2" EXTERNAL AXLE WASHER	02
10	0502010872	1-1/2" INNER AXLE WASHER	02
11	0602030421	24" X 6 NOTCHED DISC	10
12	0601031116	24 X 6 PLAIN DISC	10
13	0601029409	DL22X6 C74AF02FR1.9/16 TATU	01
14	0602029413	DR22X6 C74AF02FR1.9/16 10REC TATU	01



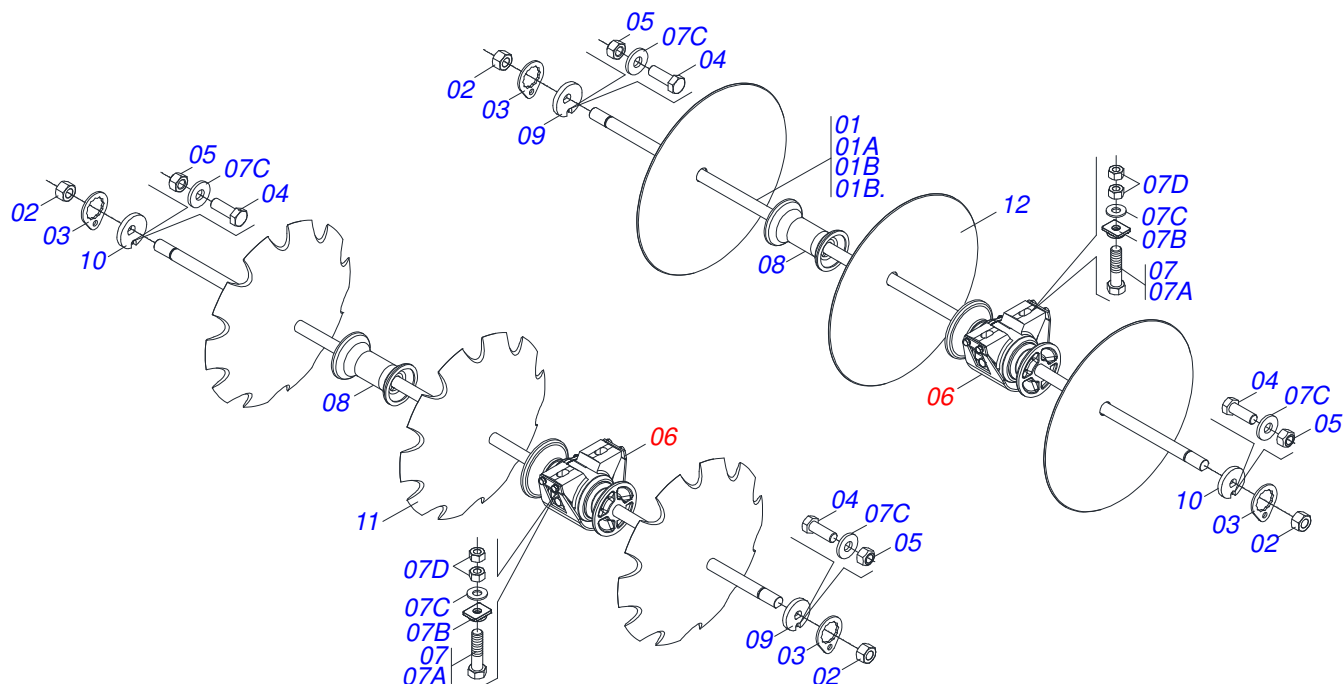
Item	Code	Description	QT
01	0511021790	1.1/2" X 1285 AXLE	04
01A	0541014457	1.1/2" 6FPP X 1285 AXLE	04
02	0501010110	1.1/2" NUT	04
03	0501018592	1.5/8" NUT LOCK	04
04	0503011267	5/8" X 1.1/2" BOLT	04
05	0503010013	5/8" NUT	04
06	0501046311	OIL BATH BEARING	06
07	0501058802	5/8 UNC X 2.3/4 BOLT ASSY	12
07A	0503015154	5/8" X 2.3/4" BOLT	12
07B	0501010947	5/8 NUT LOCK	12
07C	0501012140	FLAT WASHER	12
07D	0503010013	5/8" NUT	36
08	0502010621	8.8" 1-1/2" SPACER	12
09	0502010871	1-1/2" EXTERNAL AXLE WASHER	02
10	0502010872	1-1/2" INNER AXLE WASHER	02
11	0602030421	24" X 6 NOTCHED DISC	11
12	0601031116	24 X 6 PLAIN DISC	11
13	0601029409	DL22X6 C74AF02FR1.9/16 TATU	01
14	0602029413	DR22X6 C74AF02FR1.9/16 10REC TATU	01

MIXED DISC SECTION WITH FINISHING DISC



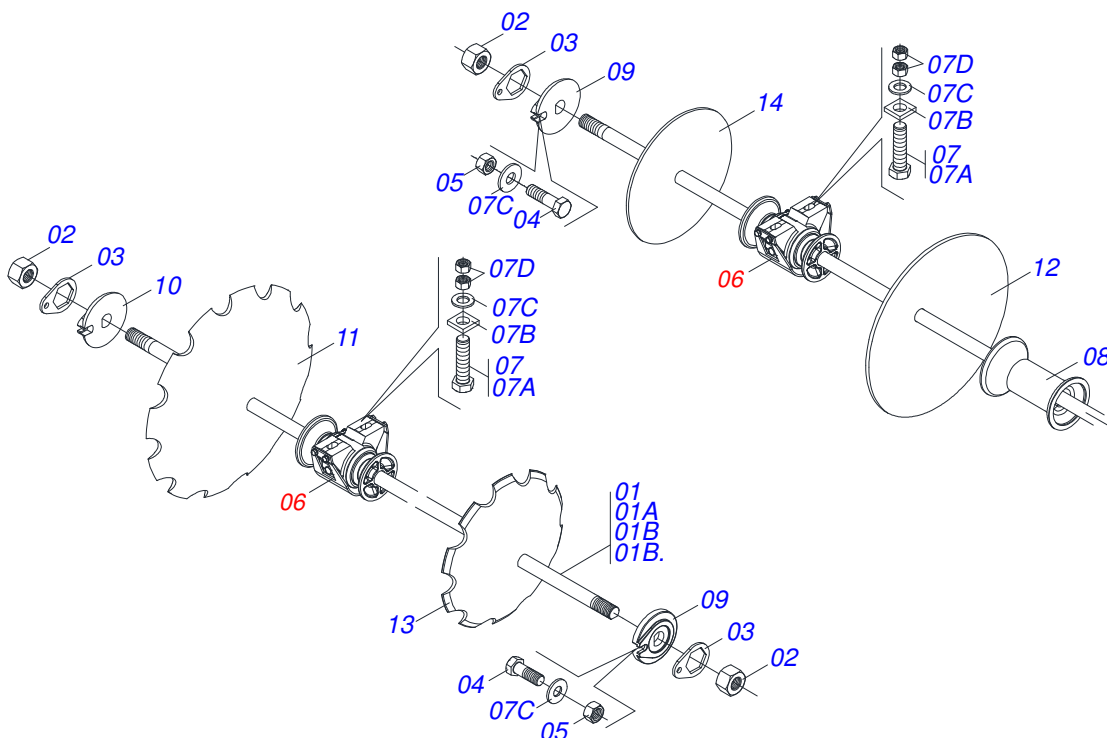
Item	Code	Description	QT
01	0511021790	1.1/2" X 1285 AXLE	02
01A	0541014457	1.1/2" 6FPP X 1285 AXLE	02
01B	0511022295	1.1/2 X 1505 DM IMP EXLE ASSY	02
01B.	0511012601	1.1/2" X 1505 AXLE	02
02	0501010110	1.1/2" NUT	04
03	0501018592	1.5/8" NUT LOCK	04
04	0503011267	5/8" X 1.1/2" BOLT	04
05	0503010013	5/8" NUT	04
06	0501046311	OIL BATH BEARING	06
07	0501058802	5/8 UNC X 2.3/4 BOLT ASSY	12
07A	0503015154	5/8" X 2.3/4" BOLT	12
07B	0501010947	5/8 NUT LOCK	12
07C	0501012140	FLAT WASHER	12
07D	0503010013	5/8" NUT	32
08	0502010621	8.8" 1-1/2" SPACER	14
09	0502010871	1-1/2" EXTERNAL AXLE WASHER	02
10	0502010872	1-1/2" INNER AXLE WASHER	02
11	0602030421	24" X 6 NOTCHED DISC	11
12	0601031116	24 X 6 PLAIN DISC	11
13	0601029409	DL22X6 C74AF02FR1.9/16 TATU	01
14	0602029413	DR22X6 C74AF02FR1.9/16 10REC TATU	01

MIXED DISC SECTION 22 (8 BEARING)

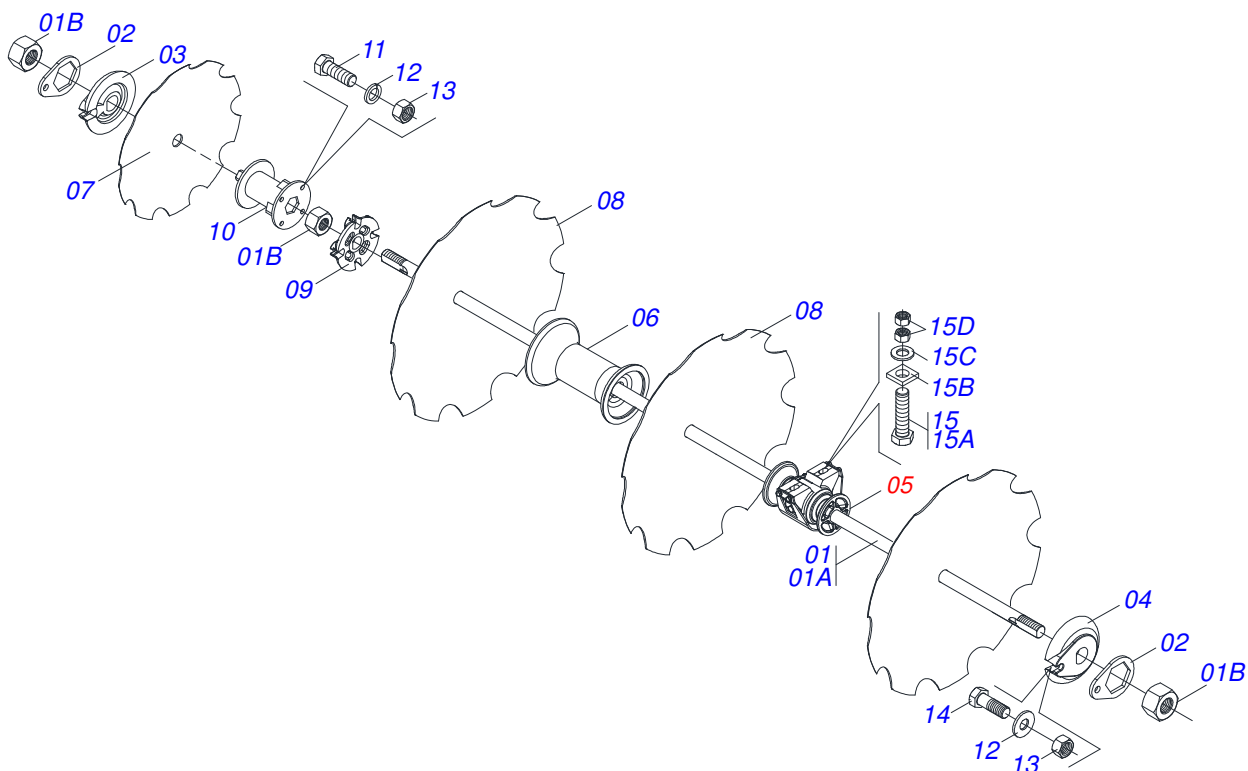


Item	Code	Description	QT
01	0511023114	1.1/2 X 1285 DM AXLE ASSY	02
01A	0541014457	1.1/2" 6FPP X 1285 AXLE	02
01B	0511023115	1.1/2 X 1040 DM AXLE ASSY	02
01B.	0511010224	1.1/2" X 1040 AXLE	02
02	0501010110	1.1/2" NUT	04
03	0501018592	1.5/8" NUT LOCK	04
04	0503011267	5/8" X 1.1/2" BOLT	04
05	0503010013	5/8" NUT	04
06	0501046311	OIL BATH BEARING	08
07	0501058802	5/8 UNC X 2.3/4 BOLT ASSY	16
07A	0503015154	5/8" X 2.3/4" BOLT	16
07B	0501010947	5/8 NUT LOCK	16
07C	0501012140	FLAT WASHER	16
07D	0503010013	5/8" NUT	32
08	0502010621	8.8" 1-1/2" SPACER	12
09	0502010871	1-1/2" EXTERNAL AXLE WASHER	04
10	0502010872	1-1/2" INNER AXLE WASHER	04
11	0602030419	24" X 4,75" NOTCHED DISC BLADE	11
12	0601031114	24" X 4,75 PLAIN DISC BLADE	11

MIXED DISC SECTION WITH FINISHING DISC 22 (8 BEARING)

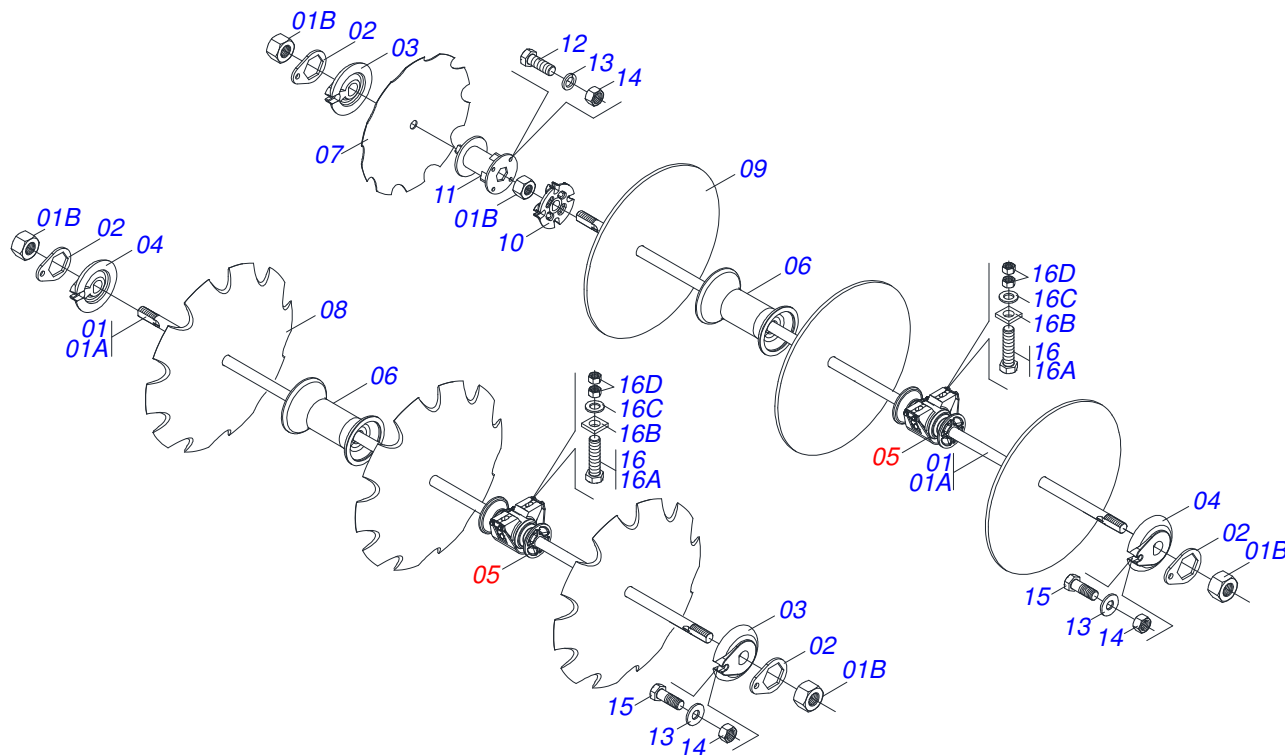


Item	Code	Description	QT
01	0511023114	1.1/2 X 1285 DM AXLE ASSY	02
01A	0541014457	1.1/2" 6FPP X 1285 AXLE	02
01B	0511023115	1.1/2 X 1040 DM AXLE ASSY	02
01B.	0511010224	1.1/2" X 1040 AXLE	02
02	0501010110	1.1/2" NUT	04
03	0501018592	1.5/8" NUT LOCK	04
04	0503011267	5/8" X 1.1/2" BOLT	04
05	0503010013	5/8" NUT	04
06	0501046311	OIL BATH BEARING	08
07	0501058802	5/8 UNC X 2.3/4 BOLT ASSY	16
07A	0503015154	5/8" X 2.3/4" BOLT	16
07B	0501010947	5/8 NUT LOCK	16
07C	0501012140	FLAT WASHER	16
07D	0503010013	5/8" NUT	32
08	0502010621	8.8" 1-1/2" SPACER	12
09	0502010871	1-1/2" EXTERNAL AXLE WASHER	04
10	0502010872	1-1/2" INNER AXLE WASHER	04
11	0602030421	24" X 6 NOTCHED DISC	10
12	0601031116	24 X 6 PLAIN DISC	10
13	0602029413	DR22X6 C74AF02FR1.9/16 10REC TATU	01
14	0601029409	DL22X6 C74AF02FR1.9/16 TATU	01

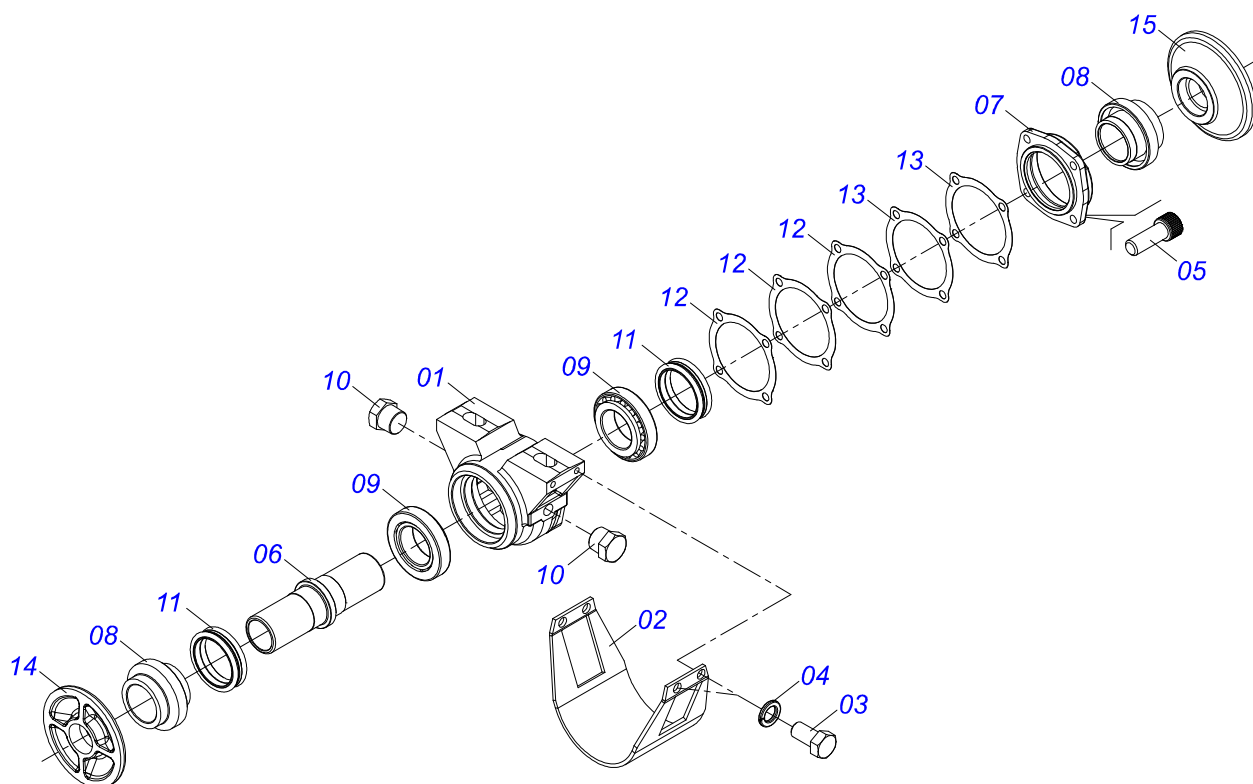


Item	Code	Description	QT
01	0511021790	1.1/2" X 1285 AXLE	04
01A	0541014457	1.1/2" 6FPP X 1285 AXLE	04
01B	0501010110	1.1/2" NUT	08
02	0501018592	1.5/8" NUT LOCK	08
03	0502010871	1-1/2" EXTERNAL AXLE WASHER	04
04	0502010872	1-1/2" INNER AXLE WASHER	04
05	0501046311	OIL BATH BEARING	08
06	0502010621	8.8" 1-1/2" SPACER	12
07	0602029396	22X4,75 NOTCHED DISC BLADE	01
08	0602030419	24" X 4,75" NOTCHED DISC BLADE	24
09	0502012376	1-1/2" EXTERNAL AXLE LOCK	01
10	0521062027	186 SPACER	01
11	0503010232	5/8" X 1.3/4" BOLT	04
12	0503010027	SPRING WASHER	12
13	0503010013	5/8" NUT	12
14	0503011267	5/8" X 1.1/2" BOLT	08
15	0501058802	5/8 UNC X 2.3/4" BOLT ASSY	16
15A	0503015154	5/8" X 2.3/4" BOLT	16
15B	0501012140	FLAT WASHER	16
15C	0503010013	5/8" NUT	16
15D	0503010014	3/4" NUT	32

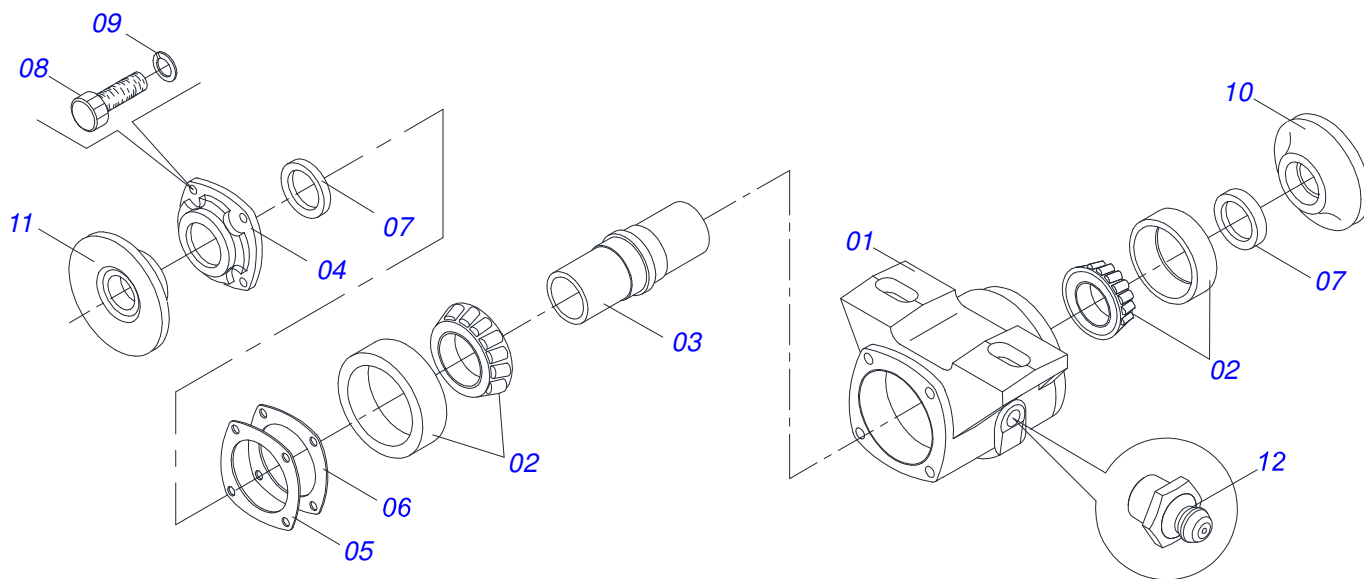
MIXED DISC SECTION FURROW FILLER 24



Item	Code	Description	QT
01	0511021790	1.1/2" X 1285 AXLE	04
01A	0541014457	1.1/2" 6FPP X 1285 AXLE	04
01B	0501010110	1.1/2" NUT	08
02	0501018592	1.5/8" NUT LOCK	08
03	0502010871	1-1/2" EXTERNAL AXLE WASHER	04
04	0502010872	1-1/2" INNER AXLE WASHER	04
05	0501046311	OIL BATH BEARING	08
06	0502010621	8.8" 1-1/2" SPACER	12
07	0602029396	22X4,75 NOTCHED DISC BLADE	01
08	0602030419	24" X 4,75" NOTCHED DISC BLADE	12
09	0601031114	24" X 4,75 PLAIN DISC BLADE	12
10	0502012376	1-1/2" EXTERNAL AXLE LOCK	01
11	0521062027	186 SPACER	01
12	0503010232	5/8" X 1.3/4" BOLT	04
13	0503010027	SPRING WASHER	12
14	0503010013	5/8" NUT	12
15	0503011267	5/8" X 1.1/2" BOLT	08
16	0501058802	5/8 UNC X 2.3/4 BOLT ASSY	16
16A	0503015154	5/8" X 2.3/4" BOLT	16
16B	0501012140	FLAT WASHER	16
16C	0503010013	5/8" NUT	16
16D	0503010014	3/4" NUT	32



Item	Code	Description	QT
01	0502011751	OIL HOUSING BEARING	01
02	0511010829	BEARING GUARD	01
03	0503011334	3/8" X 3/4" BOLT	04
04	0503010025	3/8 SPRING WASHER	04
05	0503010134	3/8" X 1" BOLT	04
06	0502040611	AXLE	01
07	0502020424	HOUSING CAP DM	01
08	0502010821	SEAL RETAINER	02
09	0503010006	32210 ROLLER BEARING	02
10	0503010856	OIL PLUG	02
11	0503030026	SEAL LP JB-253	02
12	0503030013	4.4" X 3.5" X 0.004" JOINT	03
13	0503030684	4.4" X 3.5" X 0.004" JOINT	02
14	0502010605	INNER FLANGE	01
15	0502010604	OUTER FLANGE	01



Item	Code	Description	QT
01	0502020313	HOUSING CM	01
02	0503010006	32210 ROLLER BEARING	02
03	0502040611	AXLE	03
04	0502020273	HOUSING CAP CM	01
05	0503030684	4.4" X 3.5" X 0.004" JOINT	01
06	0503030013	4.4" X 3.5" X 0.004" JOINT	01
07	0503010468	SEAL 01199-GB	02
08	0503010237	3/8" X 1" BOLT	04
09	0503011443	SPRING WASHER	04
10	0502010605	INNER FLANGE	01
11	0502010604	OUTER FLANGE	01
12	0503010002	1800 GREASE FITTING	01



MARCHESAN IMPLEMENTOS E MÁQUINAS AGRÍCOLAS TATU S.A.

AV. Marchesan, 1979 - Post office box, 131 - CEP 15994-900 - Matão - SP - Brazil

Phone +55 16.3382-8282

(FAX Parts) + 55 16.3382. 8297 - (Export) + 55 16.3382.1003

e.mail: tatu@marchesan.com.br www.marchesan.com.br

Technical Publications: Elaboration

LUIZ CANDIDO

Technical Publications: Revision

MARINA PEREZ NIZA

Contact Catálogo:

E-mail = jgaspari@marchesan.com.br

**ORIGINAL PARTS
TATU**

