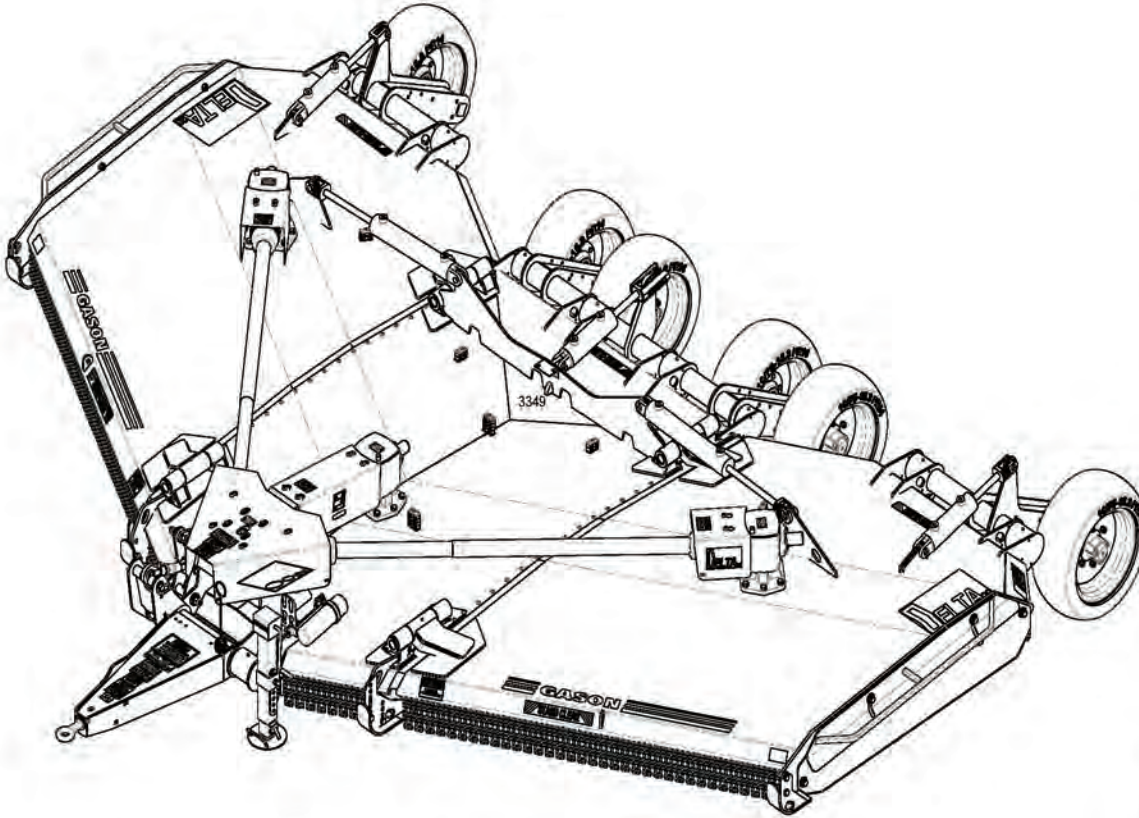


VHD Delta Wing



The VHD Delta Wing Series

PARTS MANUAL

Includes Side Throw & Rear Throw Models.

Covering the

D15 & D20 Models

GPN: 229011 Revision "B"

COPYRIGHT

Neither this manual or part thereof may be reproduced or published
without the permission of AF Gason Pty Ltd



Contents

Ordering Parts 3

Standard Bolt Head Markings And Torque Specifications 4

Common Parts 5

Common Base General Assembly	6-7
Pull	8-9
Decals	10-11
Driveline Guards	12
Dual Blade Add On (Option)	13
Input PTO Shaft	14-15
Transfer PTO Shaft (D15)	16
Transfer PTO Shaft (D20)	17
Wing PTO Shaft	18
Gearbox - Cutterhead	19
Power Divider	20
Axle	21
Hydraulics - Wing Lift	22
Hydraulics - Depth Control	23

Delta 15' & 20' Side Throw Model 25

Side Throw - General Assembly	26-27
Side Throw - Driveline	28-29
Side Throw - Single Blade Inst'n	30
Side Throw - Deflectors	31
Side Throw - Skids	32

Delta 15' & 20' Rear Throw Model 33

Rear Throw - General Assembly	34-35
Rear Throw - Driveline	36-37
Rear Throw - Single Blade Inst'n	38
Rear Throw - Skids	39

Ordering Parts

The following information must be supplied to your local dealer to facilitate fast and accurate processing of a replacement parts order:-

- Gason Part Number (GPN) and description (as given in this manual)
- Quantity Required
- Machine Model & Serial Number

For your convenience record the following information below.

Dealer Name: _____

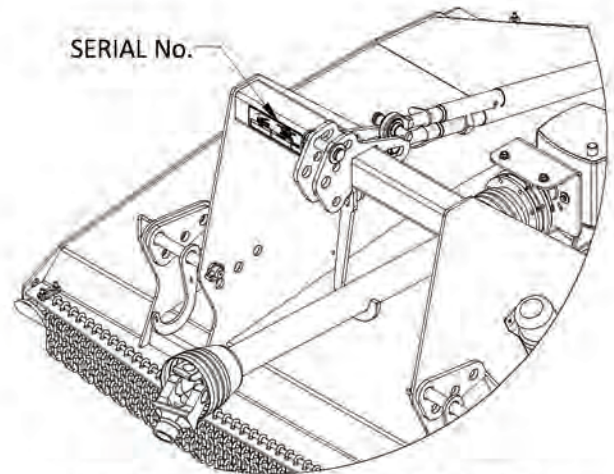
Dealer Address: _____

Dealer Phone Number: _____

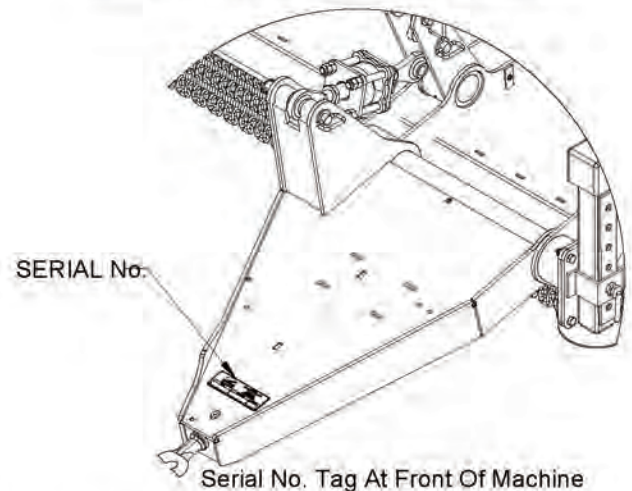
Machine Model No: _____

Date of Purchase: _____

Serial Number: _____



Serial No. Tag At Right Front Of Machine



Serial No. Tag At Front Of Machine

Subject to any applicable Federal, State or Territory laws or ordinances, which may apply from time to time, AF Gason Pty Ltd reserves the right to make changes in design and specifications without notice or obligation and to change or discontinue models at any time without incurring any liability to any Purchaser thereof.

Left and right hand: All references in this manual are determined by facing the direction of travel.

For warranty provisions please consult your Installation and Warranty Registration document.

While every effort has been made to ensure the accuracy of the information in this manual, AF Gason Pty Ltd reserves the right to delete, change or add information without notice.

Standard Bolt Head Markings And Torque Specifications

As part of our service to the end consumer Gason make every effort to ensure all bolts and nuts are torqued using specific procedures during the assembly process.

Throughout this parts manual the following symbols may be seen which indicate important settings critical to the continued safe operation of your mower/slasher.



: Critical Torque Setting (N m)



: Always Replace after disassembly

Where a Torque is not specified on a nut or bolt it should be assumed that it is torqued according to the following tables.

Size	Thread Pitch	Recommended Assembly Torque					
		lbf.ft		Nm		lbf.ft	
S.A.E Grade Number		5		8		Wheel Stud	
Head Markings (Manufacturers marks may vary)							
7/16	UNF	43	59	60	82	-	-
7/16	UNC	39	53	54	74	-	-
1/2	UNF	67	91	94	128	-	-
1/2	UNC	59	81	83	113	-	-
5/8	UNF	135	184	186	253	-	-
5/8	UNC	117	159	165	224	-	-
3/4	UNF	235	319	325	441	-	-
3/4	UNC	210	285	290	394	-	-
7/8	UNF	370	502	520	706	-	-
7/8	UNC	335	455	470	638	-	-
1	UNF	550	746	775	1052	-	-
1	UNC	505	685	710	963	-	-

Metric Grade Number		8.8		10.9		Wheel Stud	
Head Markings (Manufacturers marks may vary)							
M10	1.5	29	40	41	56	-	-
M12	1.75	51	70	73	100	-	-
M16	-	-	-	-	-	170	231
M16	2.0	126	171	180	245	-	-
M18	1.5	-	-	-	-	254	345
M20	1.5	-	-	-	-	376	510
M20	2.5	247	335	351	477	-	-
M22	1.5	-	-	-	-	475	645
M24	-	-	-	-	-	500	679
M24	3.0	425	577	608	825	-	-

NOTE

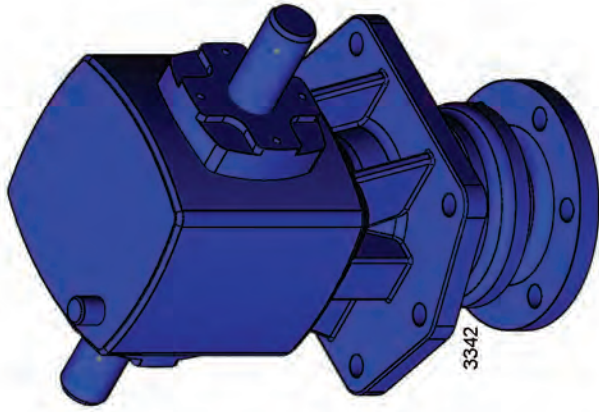
The above figures are based on zinc plated, lightly oiled hardware.

Recommended assembly torques for alternative finish or application, may be obtained by multiplying the torque figures in the table by:

0.78 – for degreased zinc plated bolts.

1.10 – for black oxide finished bolts.

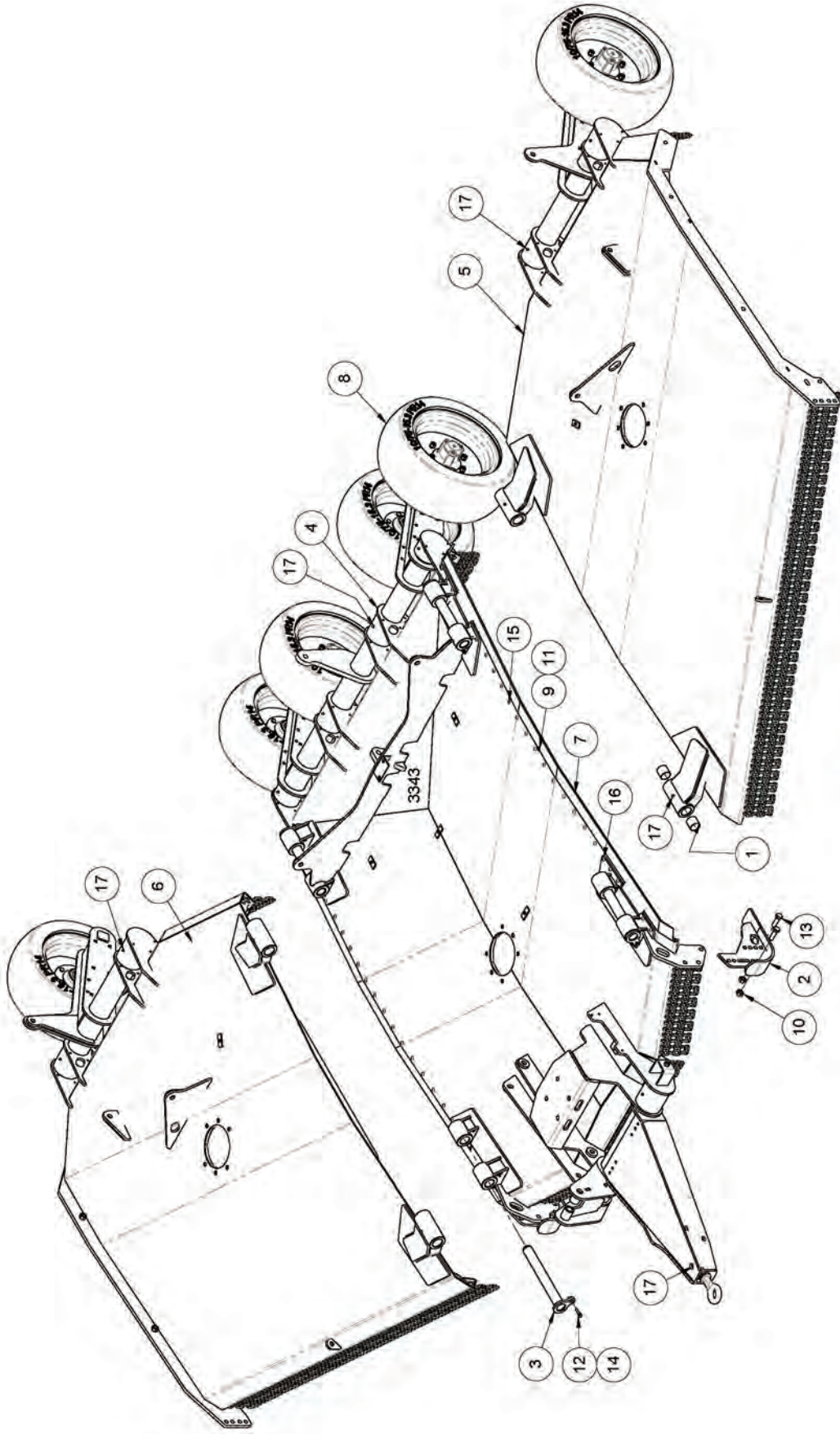
Common Parts



GASCON



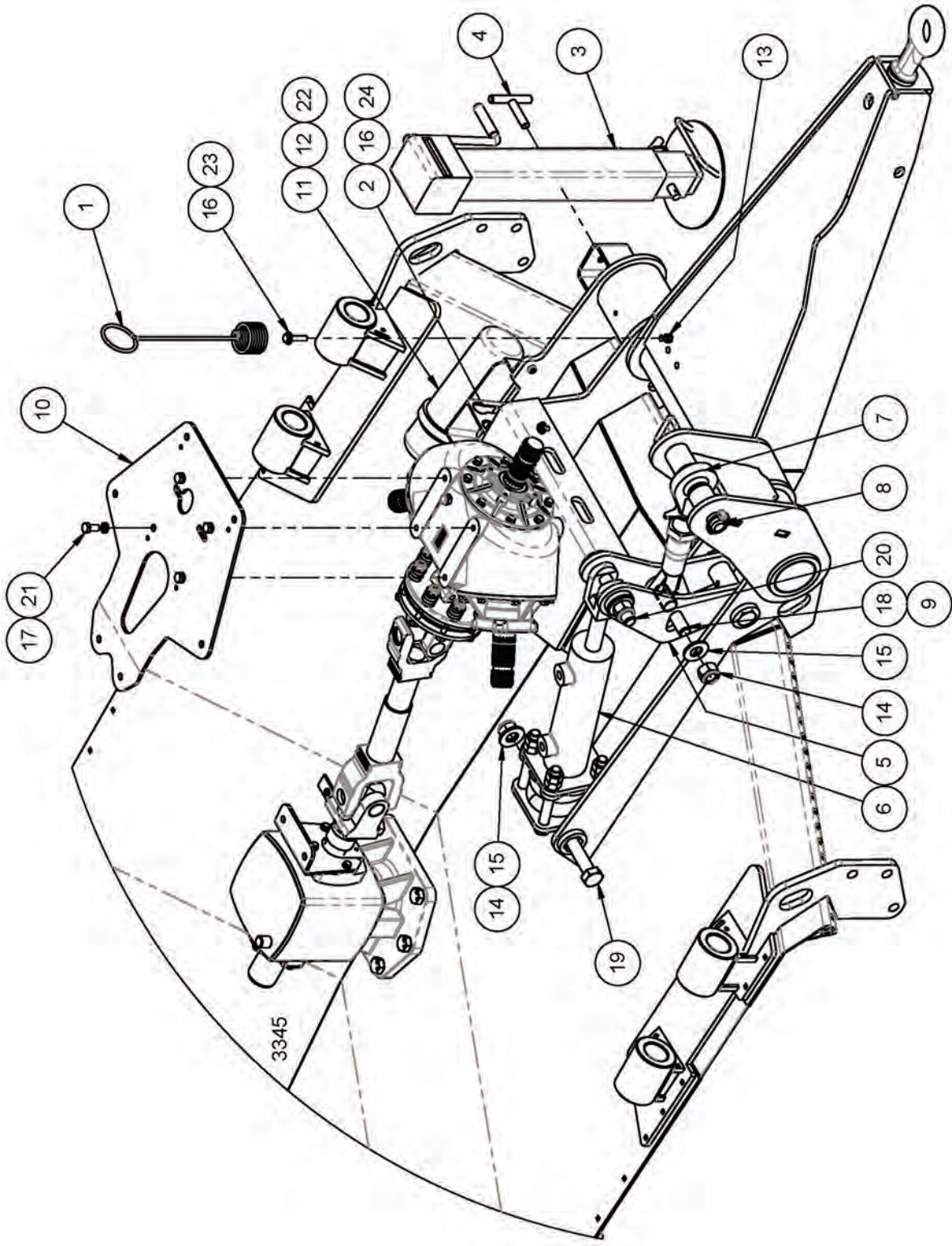
General Assembly Common Base



General Assembly Common Base (Con't)

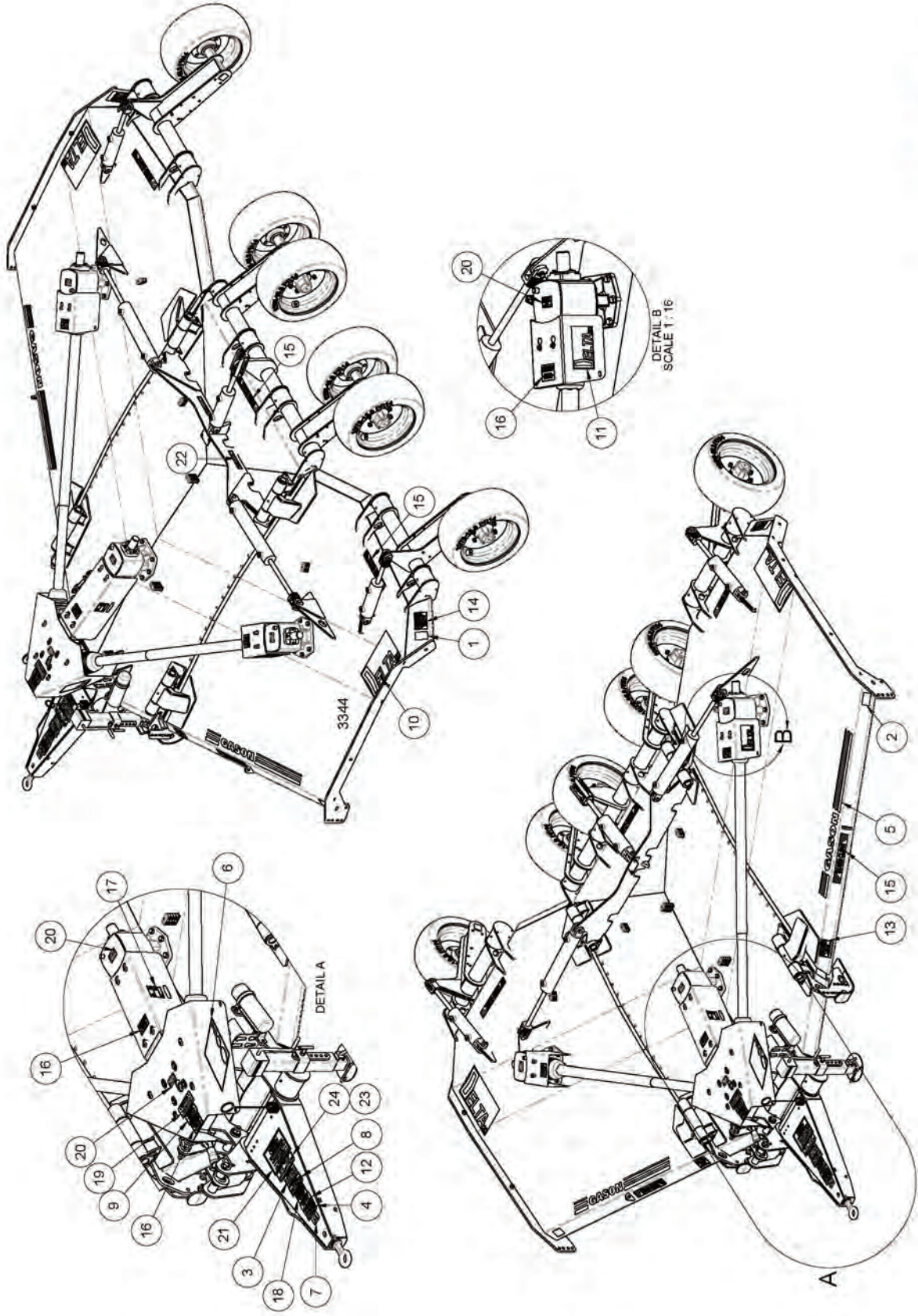
Item	GPN	Description	Qty.
			15' 20'
1	205892	Bush Du- Ø50 x 50mm	8 8
2	223405	Skid - Anti Drop	2 2
3	223408	Pin-Wing Pivot	4 4
4	223390	D15 - Centre Deck Weldment	1 -
	223946	D20 - Centre Deck Weldment	- 1
5	223390	D15 - LH Wing Assembly	1 -
	223946	D20 - LH Wing Assembly	- 1
6	223390	D15 - RH Wing Assembly	1 -
	223946	D20 - RH Wing Assembly	- 1
7	223963	D15 - Flap - Wing Rubber	2 -
	223965	D20 - Flap - Wing Rubber	- 2
8	224979	Wheel Assy 10/75-15.3	6 6
9	903302	Nut Nyloc M8	46 46
10	903931	Nut Nyloc M20	4 4
11	907301	Washer Flat 5/16"x1"x1.2 ZP	46 46
12	909005	Washer Spring M10 ZP	4 4
13	913713	Bolt M20 x 65 GR8.8 Hex ZP	4 4
14	917413	Screw Set M10 x 45	4 4
15	926309	M8 x 30 Coach Bolt	26 26
16	926318	M8 x 50 Coach Bolt	20 20
17	8001380	Nipple Grease 1/8" NPT	15 15
	223676	Chain 8mm 11 Links - Mower	Ref. Ref.

Pull



Pull (Con't)

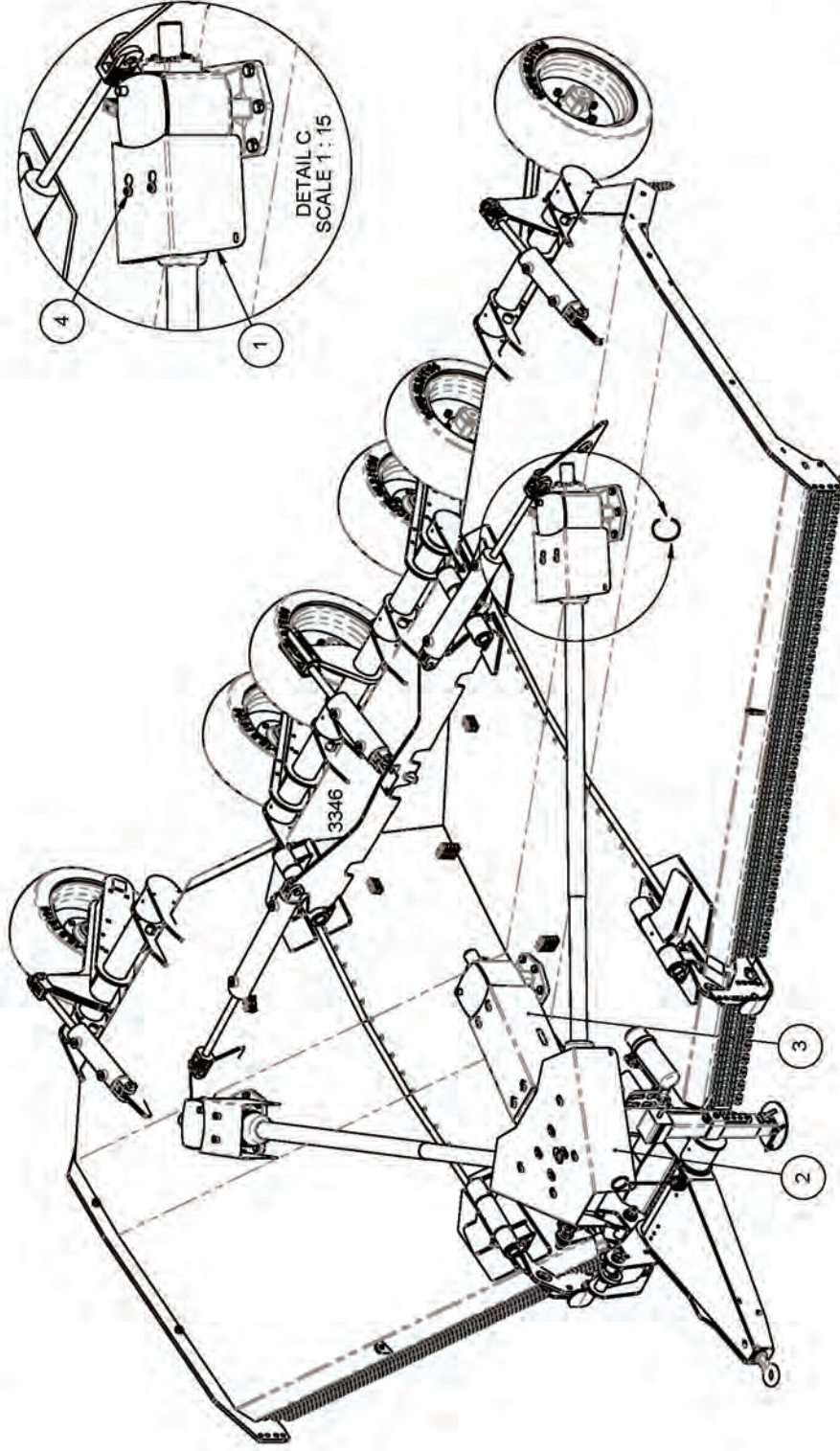
Item	GPN	Description	Qty.	
			15'	20'
1	211089	Hose Stand Spring	1	1
2	212530	Bracket Hyd. Hose Tip	1	1
3	222669	Welded 3T Jack Assy	1	1
4	222671	Handle Locking	1	1
5	223404	Bracket - Link	1	1
6	223530	Cylinder Assy 3" x 8	1	1
7	223536	Link Arm - Shortened	1	1
8	223750	Pin Drawbar 1 1/4" x 8-1/4"	1	1
9	223751	Boss	1	1
10	223632	Bracket - Guard Mount D15	1	-
	223952	Bracket - Guard Mount D20	-	1
11	224257	Document Holder	1	1
12	902302	Nut Whiz Flange M8x1.26P Hex ZP	3	3
13	903406	Nut Nyloc M10	1	1
14	903911	Nut Nyloc 1" UNC Hex ZP	4	4
15	906902	Washer Flat 1" x 2-1/8" ZP	4	4
16	907503	Washer Flat M12x24x1.6ZP	3	3
17	908604	Washer Spring 1/2 x 5/32 x 5/32 ZP	4	4
18	912908	Bolt 1" X 6" UNC	1	1
19	912913	Bolt 1" x 9" UNC	2	2
20	912920	Bolt 1" X 6.5" UNC	1	1
21	916604	Screw Set 1/2" UNC x 1"	4	4
22	917309	Screw Set M8x25x1.25P	3	3
23	917413	Screw Set M10x45 GR8.8	1	1
24	917419	Screw Set M10x16 GR8.8	2	2



Decals (Con't)

Item	GPN	Description	QTY	
			15'	20'
1	205830	Tape Red Reflective	2	2
2	206694	Tape White Reflective	2	2
3	206955	Decal - Warning Safety	1	1
4	206995	Decal - T/Port Warning	1	1
5	207246	Decal - Gason	2	2
6	207247	Decal - Gason Logo	1	1
7	207998	Decal - TMA	1	1
8	216072	Decal - Do Not Ride	1	1
9	223523	Decal - Transport Speed 20km/h	1	1
10	224243	Decal - Delta 15 Large	2	-
	224245	Decal - Delta 20 Large	-	2
11	224244	Decal - Delta 15 Small	2	-
	224246	Decal - Delta 20 Large	-	2
12	224318	Decal - 1000 RPM	1	1
13	224320	Decal - Warning Blade	2	2
14	224321	Decal - Warning Debris	2	2
15	224322	Decal - Stand Clear	5	5
16	224323	Decal - Caution Guard	4	4
17	224327	Decal - PTO Rotating	1	1
18	224328	Decal - Caution Stop	1	1
19	226754	Decal - PTO Shaft Length	1	1
20	227410	Decal - Oil Fill Level	4	4
21	228234	Decal - Danger Notice	1	1
22	804465	Decal - Gason An Australian	2	2
23	8001251	Screw Drive 1/2"x6GU ZP	4	4
24	8001418	Tag - Serial Number	1	1

Guards

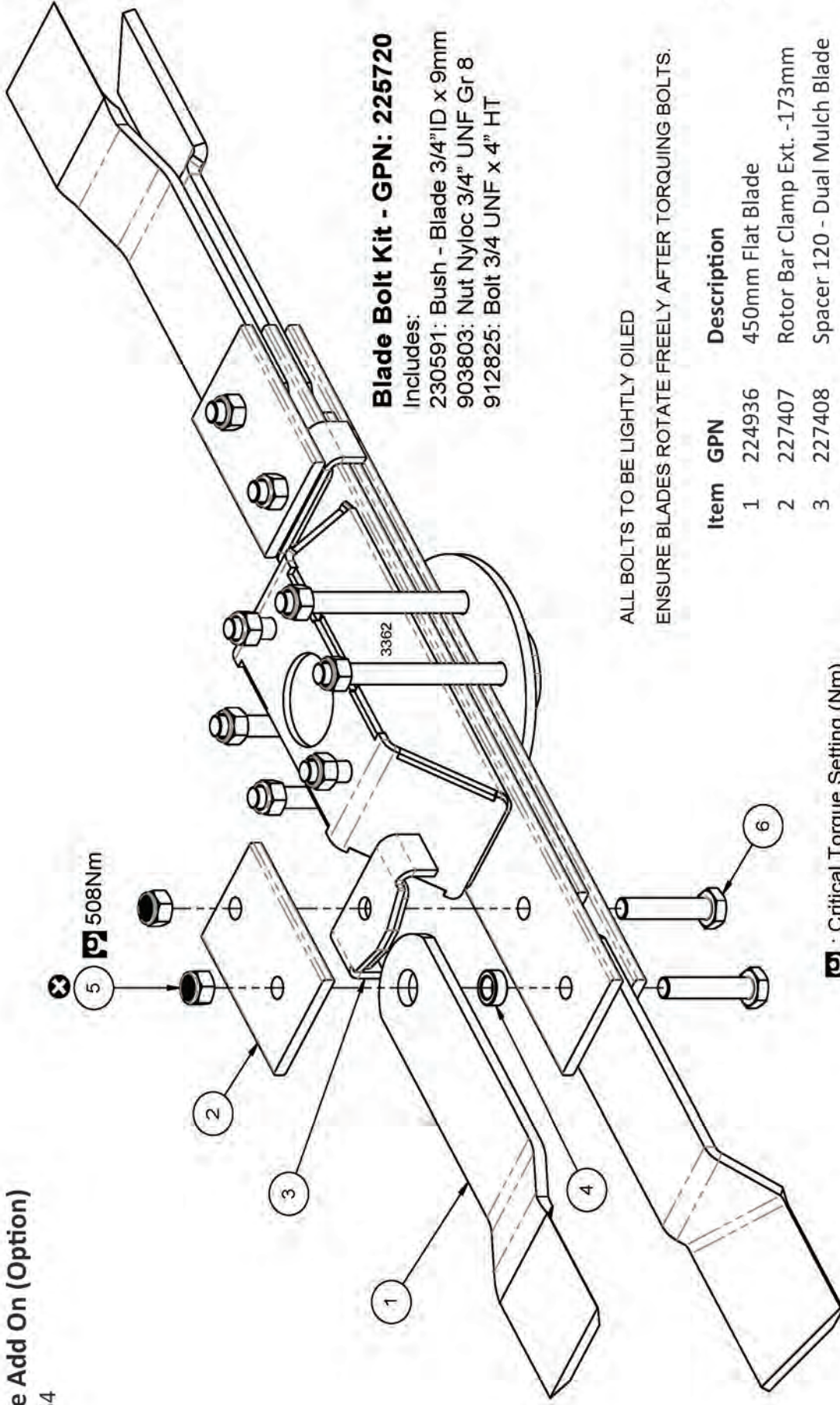


Item	GPN	Description	QTY
1	223630	Panel - Guard	15'
2	223631	Panel - Guard	20'
3	223633	Panel - Guard	2
4	223951	Panel - Guard	1
	917615	Screw Set M12 x 30 Purlin	1
			-
			12
			12



Dual Blade Add On (Option)

GPN: 226254



Blade Bolt Kit - GPN: 225720

Includes:

- 230591: Bush - Blade 3/4" ID x 9mm
- 903803: Nut Nyloc 3/4" UNF Gr 8
- 912825: Bolt 3/4 UNF x 4" HT

ALL BOLTS TO BE LIGHTLY OILED

ENSURE BLADES ROTATE FREELY AFTER TORQUING BOLTS.

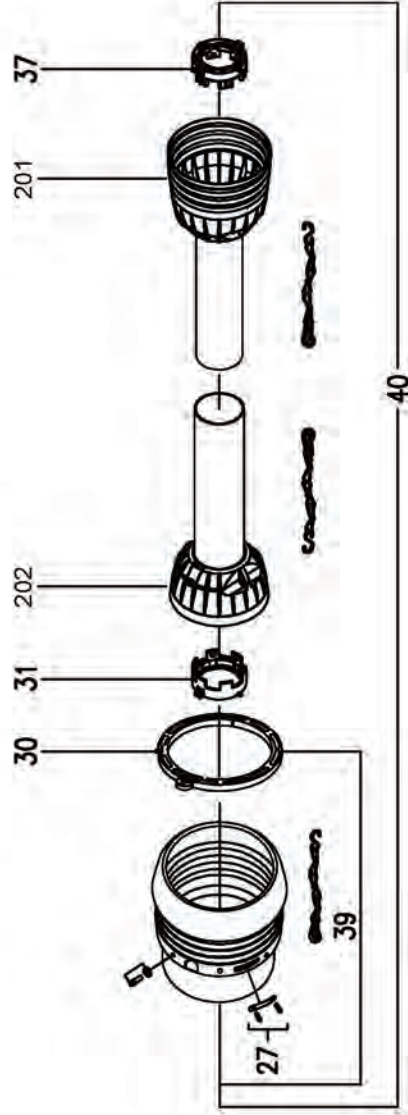
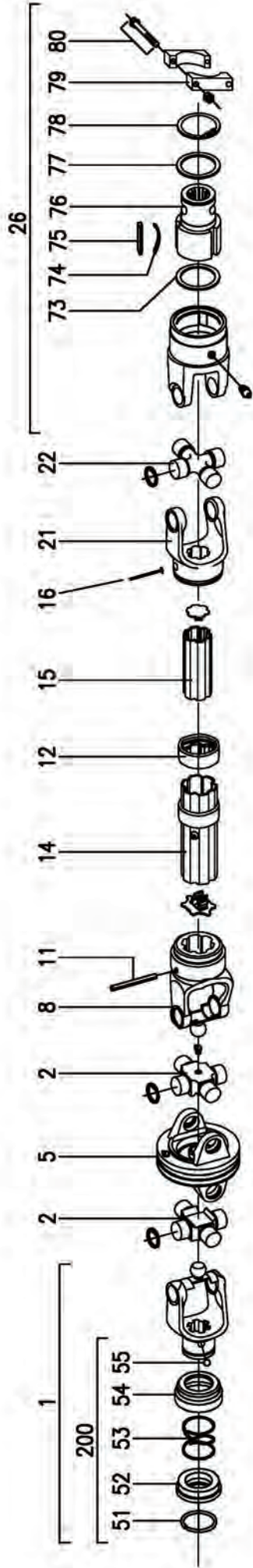
Item	GPN	Description	Qty.
1	224936	450mm Flat Blade	2
2	227407	Rotor Bar Clamp Ext. -173mm	2
3	227408	Spacer 120 - Dual Mulch Blade	2
4	230591	Bush - Blade 3/4" ID x 13mm	2
5	903803	Nut Nyloc 3/4" UNF Gr8	4
6	912825	Bolt 3/4" x 4" UNF Gr8	4

: Critical Torque Setting (Nm)

: Always Replace after Disassembly

Input PTO Shaft

GPN: 223535



Input PTO Shaft (Cont)

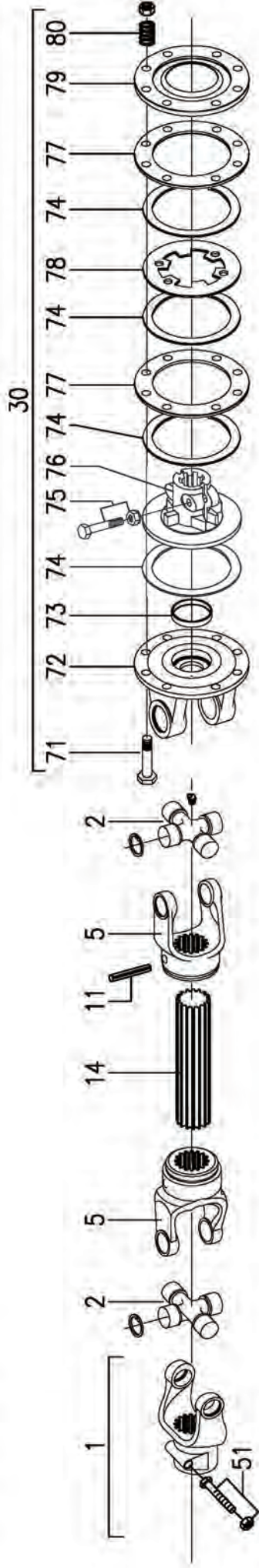
GPN: 223535

Item	GPN	Description	Qty.	Item	GPN	Description	Qty.
1	224946	Collar Yoke C03 for CV-Joint (1 3/8" Z21)	1	40	226307	Complete Guard with Instructions Manual	1
2	226273	Cross Journal Set for CV-Joint	2	51	226320	Circlip	1
5	226294	Wide Angle Double Yoke	1	52	226321	Sliding Sleeve Collar	1
8	226275	Outer Yoke	1	53	226322	Spring	1
11	226272	Roll Pin for Outer Tube	1	54	226323	Fixed Sleeve	1
12	226266	Wiper	1	55	226324	Ball 1/2"	3
14	226389	Outer Tube Rislan (m)	0.875	73	226299	Retaining Washer	1
15	226390	Inner Tube Rislan (m)	0.935	74	226300	Carriage Spring	3
16	226268	Poll Pin for Inner Tube	1	75	226301	Tang	3
21	226265	Inner Yoke	1	76	226315	Hub R15 (1 3/4" Z20)	1
22	224992	Cross Journal Set	1	77	226302	Retaining Washer	1
26	226295	Complete Overrunning Clutch R15 (3800Nm)	1	78	226303	Inner Circlip	1
27	226296	Set Sheet & Screw	1	79	226304	Bridge	2
30	226298	Bearing Ring	1	80	913648	Bolt M14x100x1.5	2
31	226291	Guard Retaining Collar for Outer Tube	1		904602	Nut M14	2
37	226292	Guard Retaining Collar for Inner Tube	1	200	226305	Kit Collar 1 3/8"	1
39	226297	Guard Cone Set	1	201	226400	Guard Standard (Tube not Included)	1
				202	226401	Guard Short (Tube not Included)	1

Transfer PTO Shaft (D15)

GPN: 223565

Post August 2017 Shown

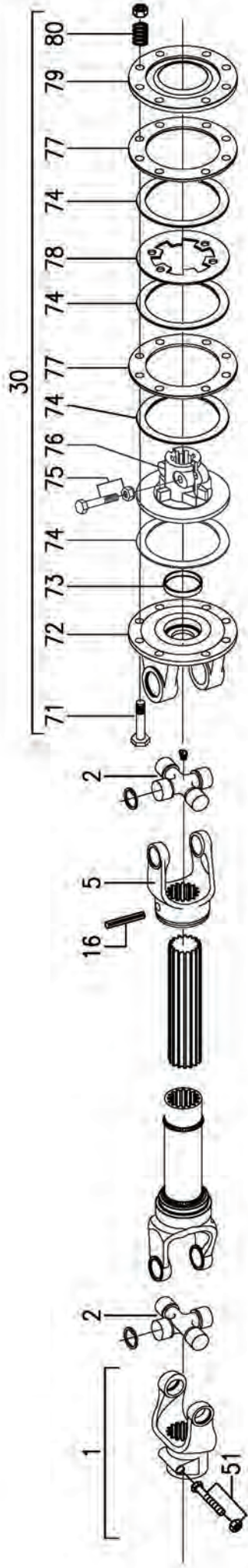


Item	GPN	Description	Qty.	Item	GPN	Description	Qty.
1	226280	Complete Yoke 135 (1 3/4" Z20)	1	72	226282	Flanged Yoke	1
2	224992	Cross Journal Set	2	73	226283	Bush	1
5	226278	Inner Yoke	2	74	226284	Lining Ring	4
11	226279	Roll Pin	1	75	234163	Bolt Set M14x70 & Nut	1
14	N/A	Inner Profile	1	76	234164	Clutch Support F45 (1 3/4" Z20)	1
30	234162	Complete Friction Clutch F45 (2000Nm)	1	77	226287	Inner Plate	2
51	913730	Bolt M16x80	2	78	226288	Intermediate Plate	1
	903930	Nut M16	2	79	226289	Pressure Plate	1
71	913416	Bolt M10x100 1.5	8	80	226290	Spring	8
	904402	Nut M10	8				

Transfer PTO Shaft (D20)

GPN: 224040

Post August 2017 Shown



Item	GPN	Description	Qty.
1	226280	Complete Yoke 135 (1 3/4" Z20)	1
2	224992	Cross Journal Set	2
5	226278	Inner Yoke	1
16	226279	Roll Pin	1
30	234162	Complete Friction Clutch F45 (2000Nm)	1
51	913730	Bolt M16x80	2
	903930	Nut Nyloc M16	2
71	913416	Bolt M10x100 1.5	8
	904402	Nut Nyloc M10	8
72	226282	Flanged Yoke	1
73	226283	Bush	1
74	226284	Lining Ring	4
75	234163	Bolt Set M14x70 & Nut	2
76	234164	Clutch Support F45 (1 3/4" Z20)	1
77	226287	Inner Plate	2
78	226288	Intermediate Plate	1
79	226289	Pressure Plate	1
80	226290	Spring	8

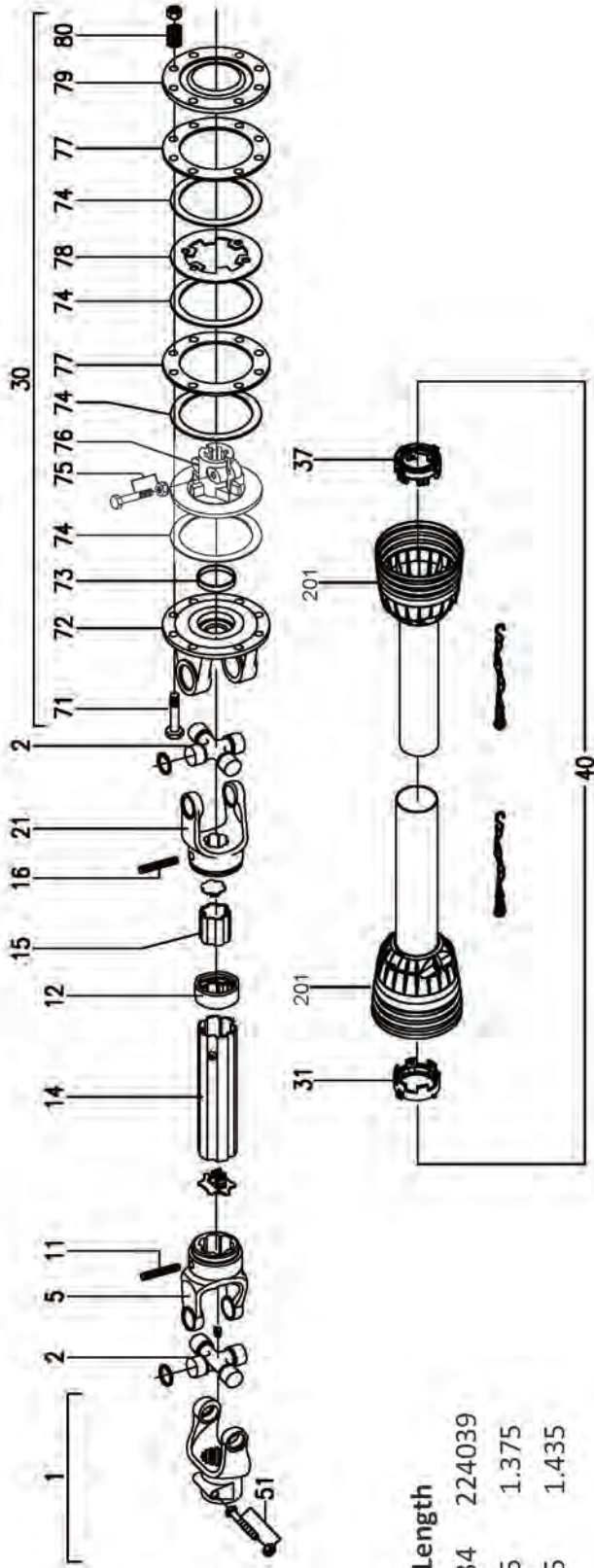
Wing PTO Shaft

GPN: 223534 - D15

GPN: 224039 - D20

Post August 2017

Shown



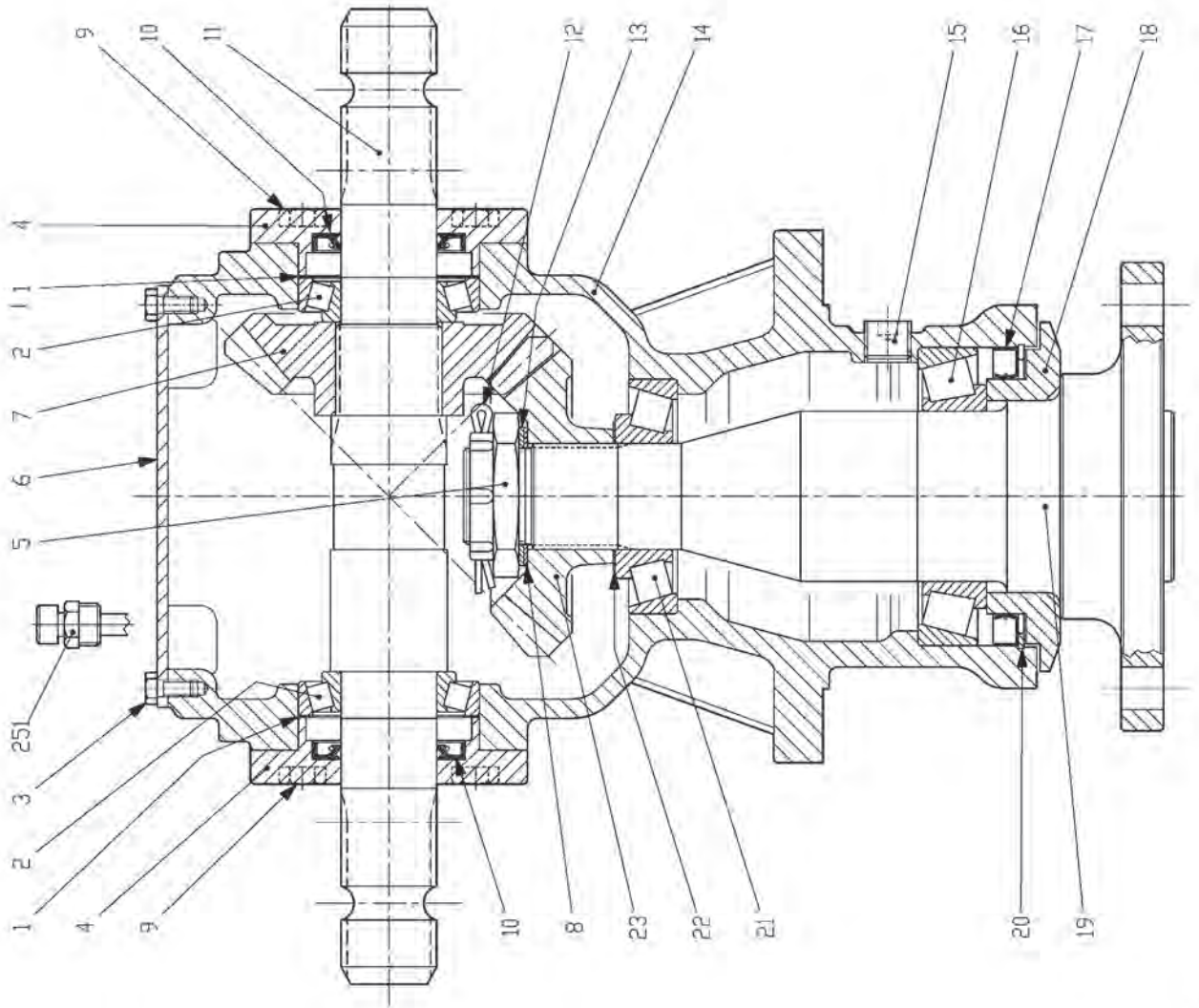
PTO Tube Length

GPN	223534	224039
226389	0.975	1.375
226390	1.035	1.435

Item	GPN	Description	Qty	Item	GPN	Description	Qty
1	226280	Interfacing Clamp/Yoke 135 (1 3/4"Z20)	1	51	913730 & 903930	Bolt M16x80 & Nut M16	2
2	224992	Cross Journal Set	2	71	913416 & 903407	Bolt M10x100x1.5 & Nut M10	8
5	225992	Outer Yoke	1	72	226282	Flanged Yoke	1
11	226272	Roll Pin	1	73	226283	Bush	1
12	226266	Wiper	1	74	226284	Lining Ring	4
14	226389	Outer Tube Rislan 3m	1	75	234163	Bolt Set M14x70 & Nut	1
15	226390	Inner Tube Rislan 3m	1	76	234164	Clutch Support F45 (1 3/4" Z20)	1
16	226268	Roll Pin	1	77	226287	Inner Plate	2
21	226265	Inner Yoke	1	78	226288	Intermediate Plate	1
30	234162	Friction Clutch F45 (2000Nm)	1	79	226289	Pressure Plate	1
31	226291	Guard retaining collar for outer tube	1	80	226290	Spring	8
37	226292	Guard retaining collar for inner tube	1	201	226400	Guard Standard (Tube not Included)	2
40	226267	Complete guard with instructions (D15)	1				
	226293	Complete guard with instructions (D20)	1				

Gearbox - Cutterhead

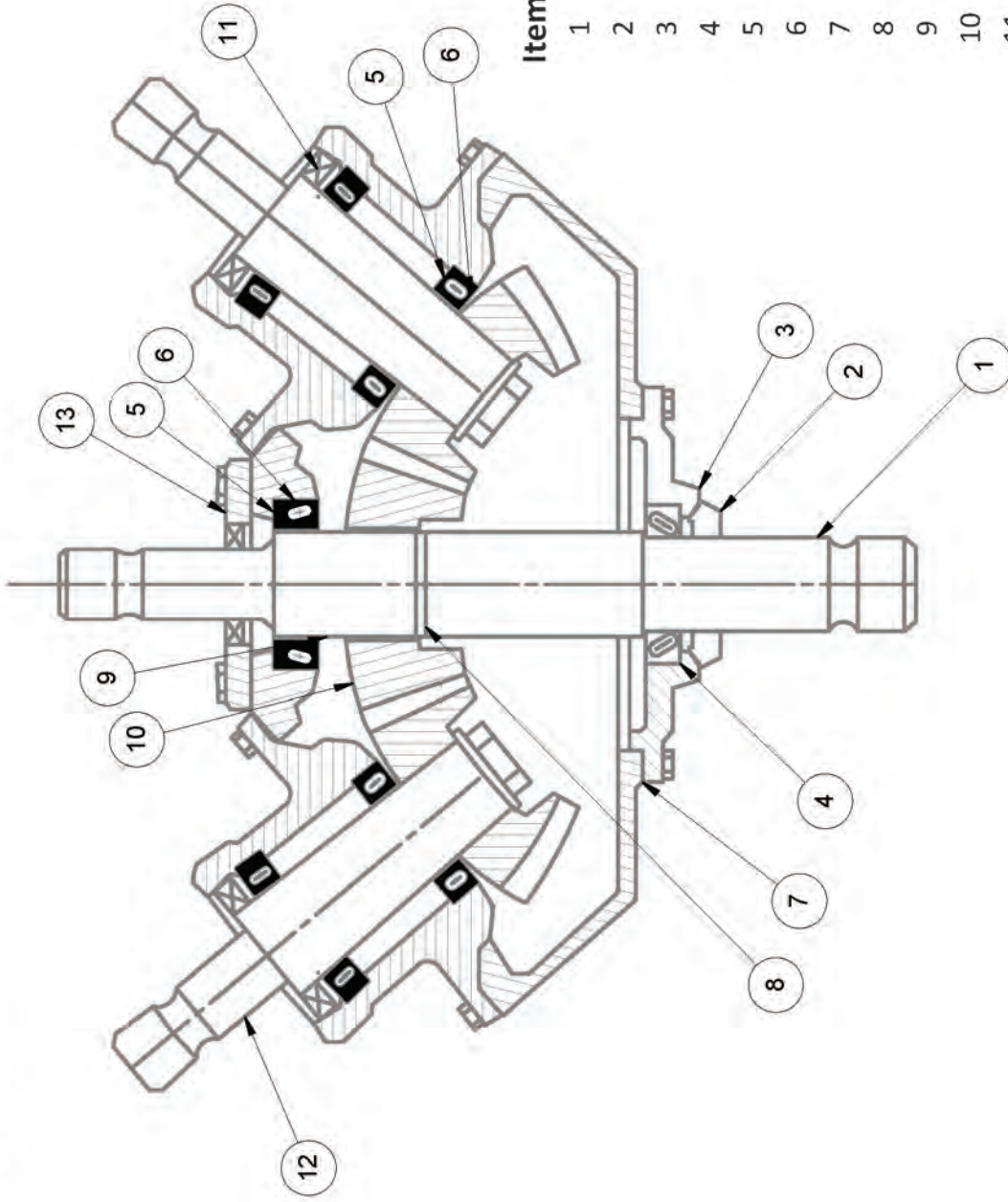
GPN: 223533 - 1000 RPM 1:1 Ratio



Item	GPN	Description	Qty.
1	226405	Shim 84.7	2
2	207969	Bearing 30209	2
3	N/A	Bolt M8x18, 8.8	6
4	226406	Cover, Input Shaft	2
5	226408	Nut M4 5X1.5	1
6	226407	Cover, Top	1
7	225699	Crown Wheel Z21 M7.14	-
8	225703	Crown Wheel Z27 M6.3	1
9	226409	Shim Pinion 45.3x1.0	1
10	917601	Bolt M12x25, 10.9	8
11	226410	Double Lip Seal 45x72x8	2
12	225701	Shaft Input	1
13	226413	Cotter Pin B6x80	1
14	226414	Shim 45.3x2.5	1
15	226415	Casing T1	1
16	N/A	Plug 1/2" GAS	1
17	220413	Bearing 32216	1
18	226416	Oil Seal 110x140x12	1
19	226417	Bush	1
20	226418	Shaft Rotor	1
21	226419	Snap Ring BR140	1
22	226420	Bearing 30310	1
23	226421	Shim 70.3	1
251	225700	Gear Pinion	1
	225504	Plug 1/2" GAS Breather	1



Power Divider
GPN: 223532



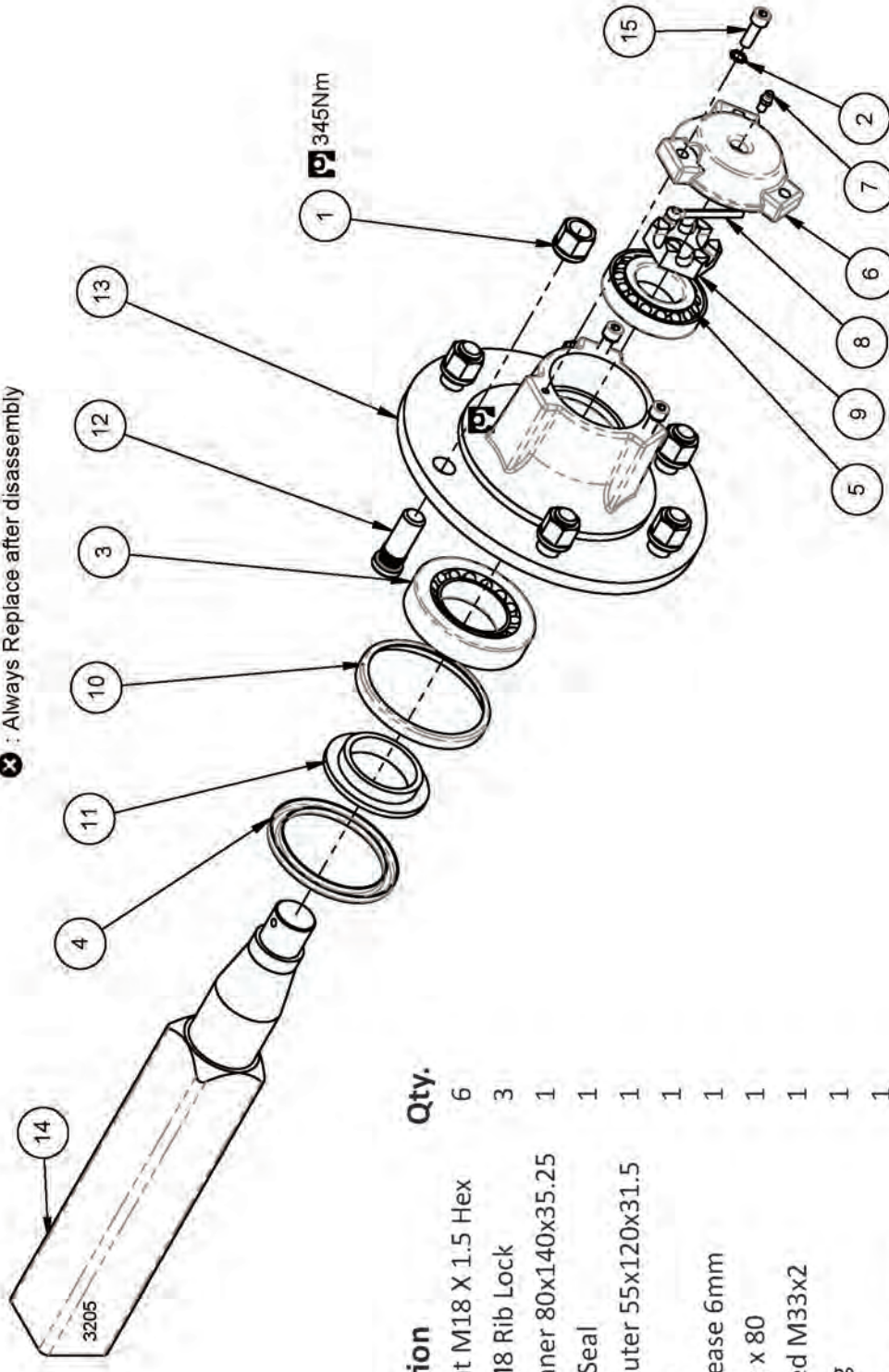
Item	GPN	Description	Qty
1	228271	Through Shaft 1-3/4" 20 SP Typ	1
2	227423	Input Seal	3
3	228272	Input Cap	1
4	228273	Cup Bearing	1
5	228274	Output Bearing Cone	5
6	228275	Output Bearing Cup	5
7	228276	Shim Gasket	As Req.
8	228277	Circlip	1
9	228278	Spacer	1
10	228279	Gear 16 Tooth	3
11	228280	Wing Shaft Seal	2
12	228281	Wing Shaft 1-3/4" 20 SP	1
13	228282	Output Cap	1

Axle

GPN: 204678

 : Critical Torque Setting (Nm)

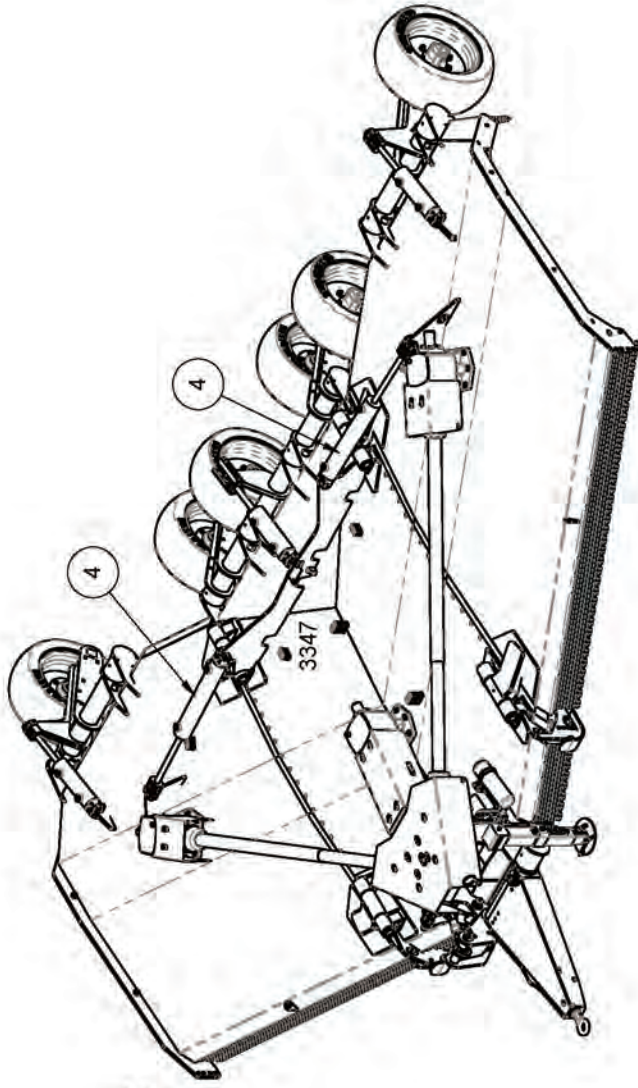
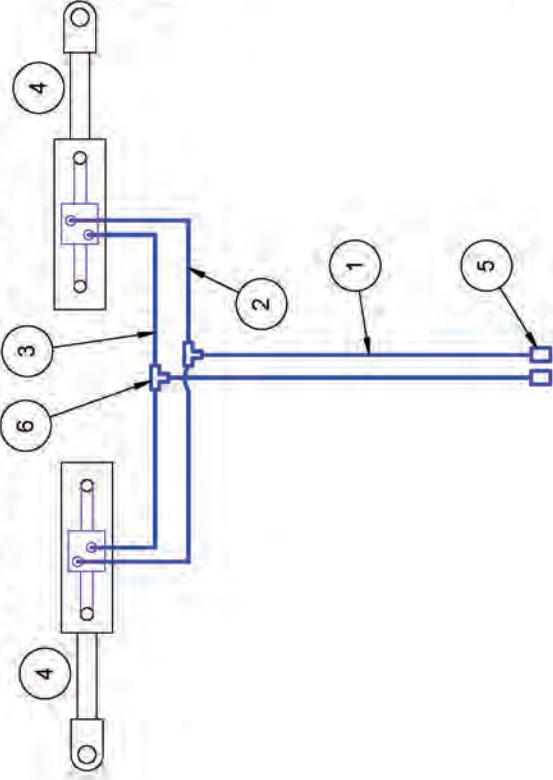
 : Always Replace after disassembly



Item	GPN	Description	Qty.
1	204622	Wheel Nut M18 X 1.5 Hex	6
2	217232	Washer M8 Rib Lock	3
3	220413	Bearing Inner 80x140x35.25	1
4	220737	Triple Lip Seal	1
5	220739	Bearing Outer 55x120x31.5	1
6	220740	Dust Cap	1
7	220741	Nipple Grease 6mm	1
8	220742	Pin Split 8 x 80	1
9	220745	Nut Slotted M33x2	1
10	220746	Wear Ring	1
11	220747	Seal Ring	1
12	220748	Stud Wheel M18x1.5	6
13	220749	Hub Machined	1
14	221039	Axle Stub Machined	1
15	922316	Screw Cap M8x25	3

Hydraulics - Wing Lift

HYDRAULIC SCHEMATIC



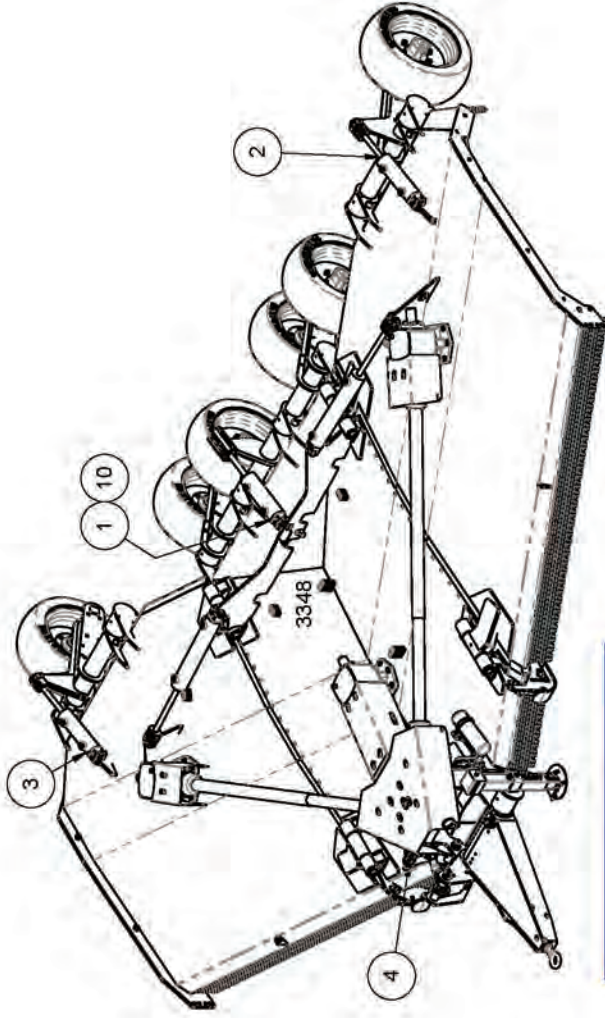
Item	GPN	Description	Qty	
			15'	20'
1	223560	Hose 3/8" SAE100R2 4600mm	2	-
	224369	Hose 3/8" SAE100R2 5000mm	-	2
2	223561	Hose 3/8" SAE100R2 1300mm	2	-
	224370	Hose 3/8" SAE100R2 1450mm	-	2
3	223666	Hose 3/8" SAE100R2 1400mm	2	-
	224373	Hose 3/8" SAE100R2 1550mm	-	2
4	227232	Cylinder Hyd 3.5" x 18"	2	2
5	804053	Nipple Quick Release 1/2"	2	2
6	812340	Tee 3/4" JIC MMM	2	2

Seal Kit Part Numbers
 Cylinder GPN. Seal Kit GPN.
 GPN.227232 GPN.227723

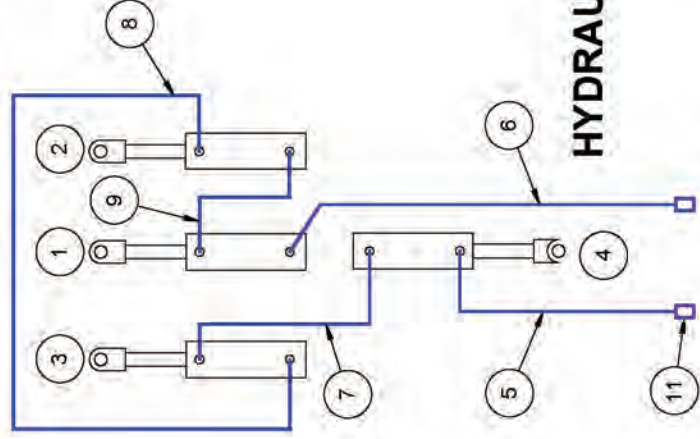


Hydraulics - Depth Control

Seal Kit Part Numbers
 Cylinder GPN. Seal Kit GPN.
 GPN.227526 GPN.225945
 GPN.227527 GPN.225944
 GPN.227528 GPN.225943
 GPN.227530 GPN.225942



Item	GPN	Description	Qty	
			15'	20'
1	223526	Cylinder Assy 3.75" x 8"	1	1
2	223527	Cylinder Assy 3.5" x 8"	1	1
3	223528	Cylinder Assy 3.25" x 8"	1	1
4	223530	Cylinder Assy 3" x 8"	1	1
5	223559	Hose 3/8" SAE100R2 4200mm	1	1
6	223555	Hose 3/8" SAE100R2 5000mm	1	-
	224365	Hose 3/8" SAE100R2 5200mm	-	1
7	223557	Hose 3/8" SAE100R2 4300mm	1	-
	224366	Hose 3/8" SAE100R2 5170mm	-	1
8	223556	Hose 3/8" SAE100R2 4450mm	1	-
	224367	Hose 3/8" SAE100R2 5550mm	-	1
9	223558	Hose 3/8" SAE100R2 2850mm	1	-
	224368	Hose 3/8" SAE100R2 3200mm	-	1
10	229671	Depth Stop - 200mm Series Nordon	1	1
11	804053	Nipple Quick Release 1/2"	2	2



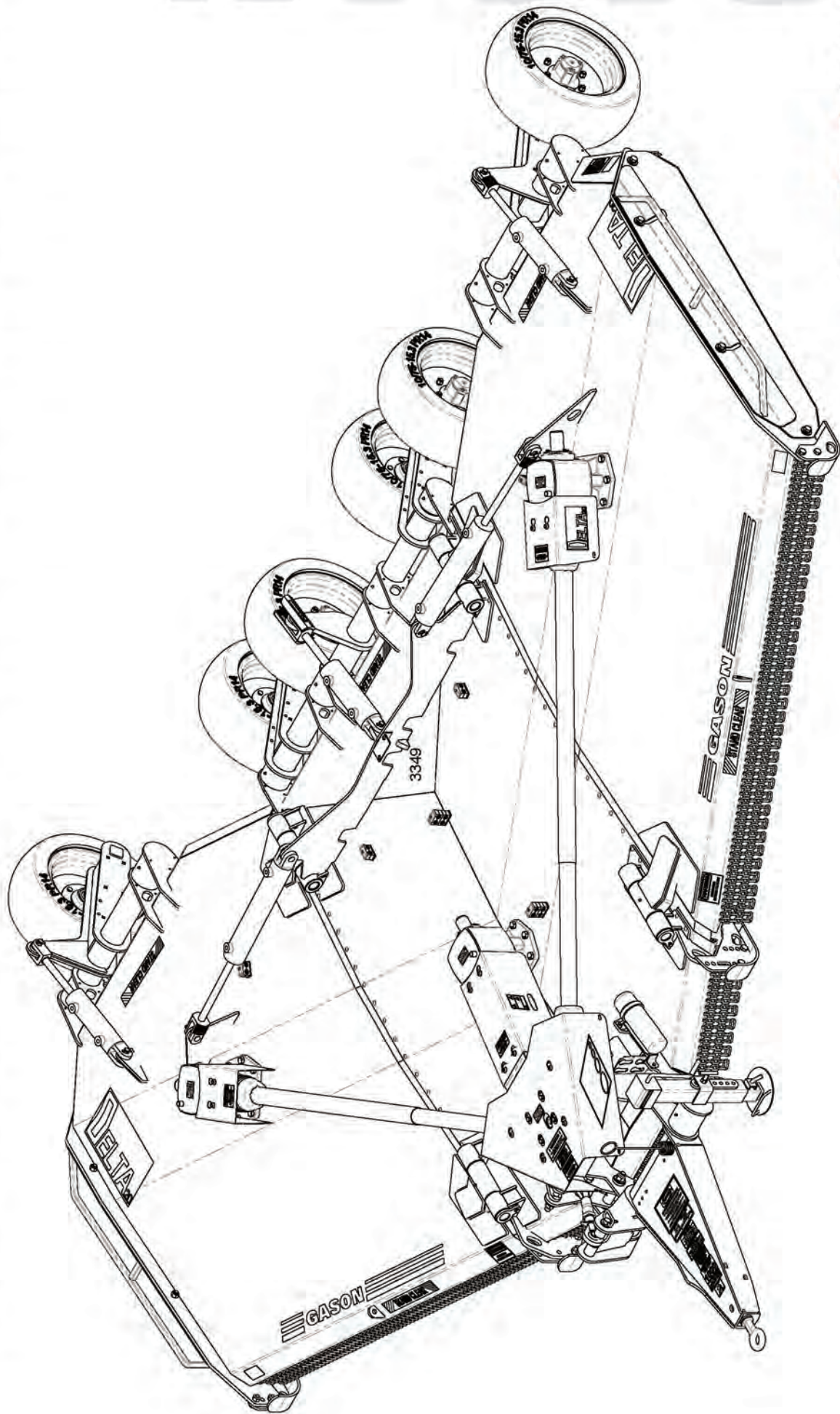
HYDRAULIC SCHEMATIC



Page intentionally Blank



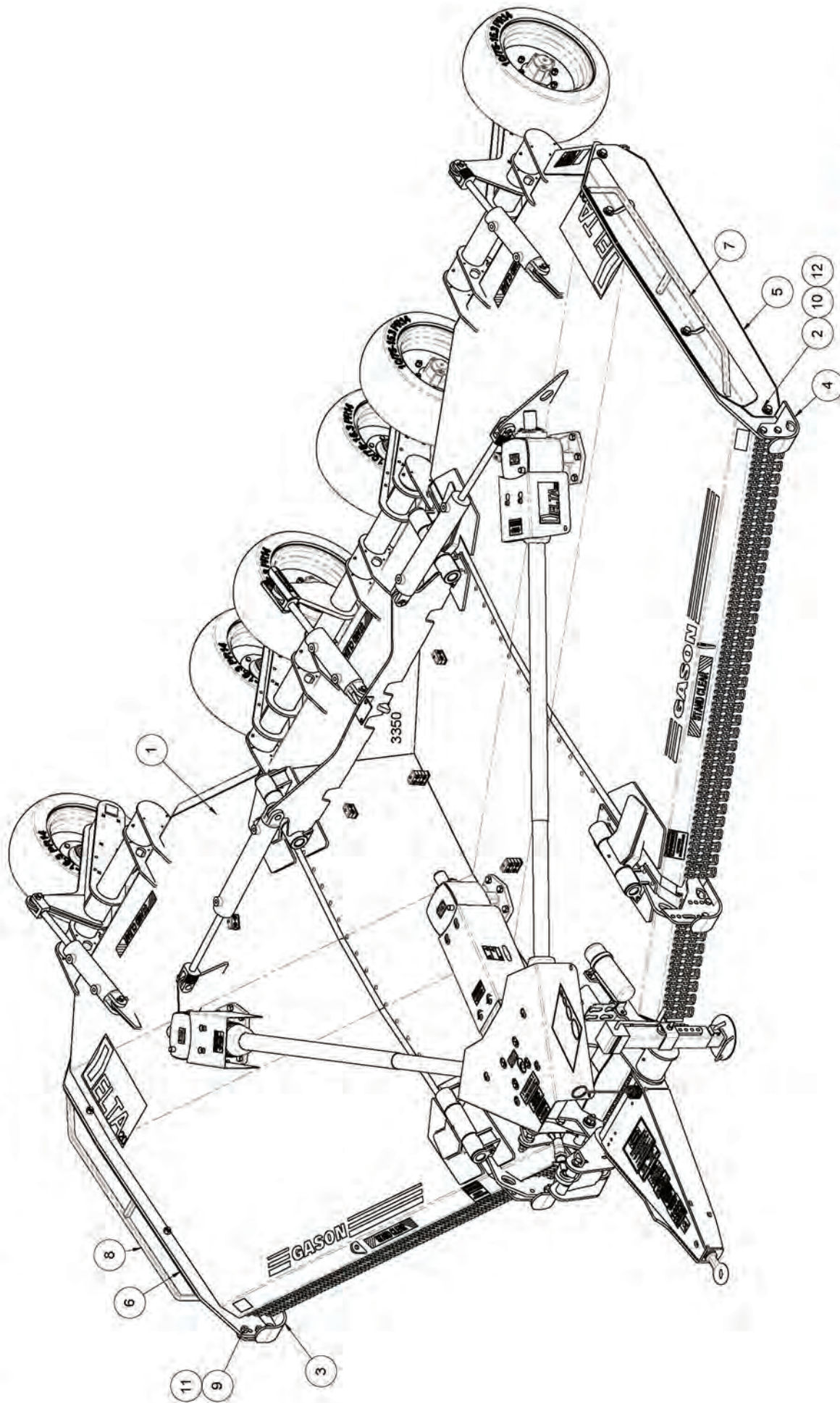
15' & 20' DELTA MOWER with SIDE THROW



GASON



General Assembly - Side Throw Model



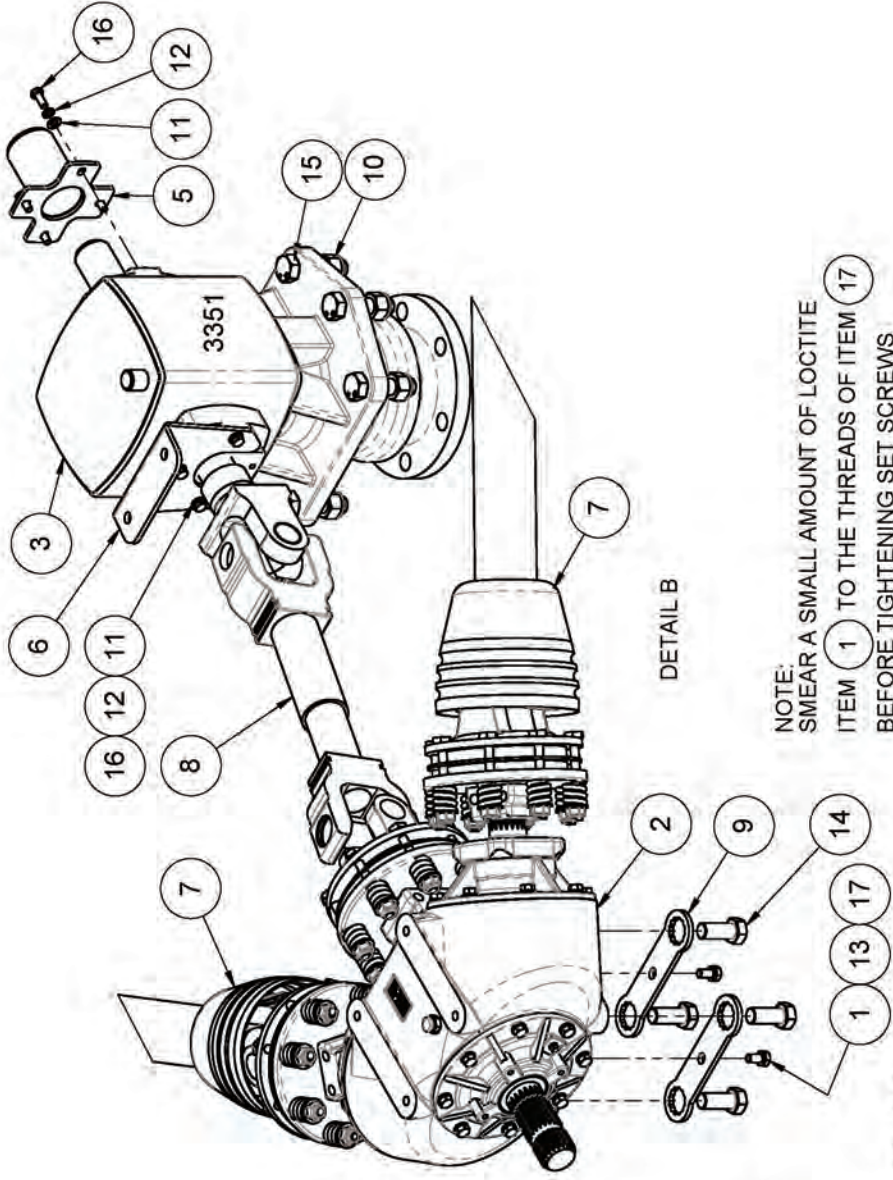
General Assembly - Side Throw Model (Cont)

Item	GPN	Description	Qty	
			15'	20'
1	223400	Delta 15 Base Mower	1	-
	223945	Delta 20 Base Mower	-	1
2	226827	Washer 50 OD x 22 ID x 6	8	8
3	233794	Skid - Front Right	1	1
4	233795	Skid - Front Left	1	1
5	235998	D15 - Full Side Skid Assy LH	1	-
	236443	D20 - Full Side Skid Assy LH	-	1
6	235999	D15 - Full Side Skid Assy RH	1	-
	236444	D20 - Full Side Skid Assy RH	-	1
7	235996	D15 - Guard Assy LH	1	-
	236586	D20 - Guard Assy LH	-	1
8	235997	D15 - Guard Assy RH	1	-
	236587	D20 - Guard Assy RH	-	1
9	903931	M20 Nut Nyloc	4	4
10	909002	M20 Spring Washer	8	8
11	913702	Bolt M20 x 50 GR8.8 Hex ZP	4	4
12	913713	Bolt M20 x 65 GR8.8 Hex ZP	8	8

Driveline

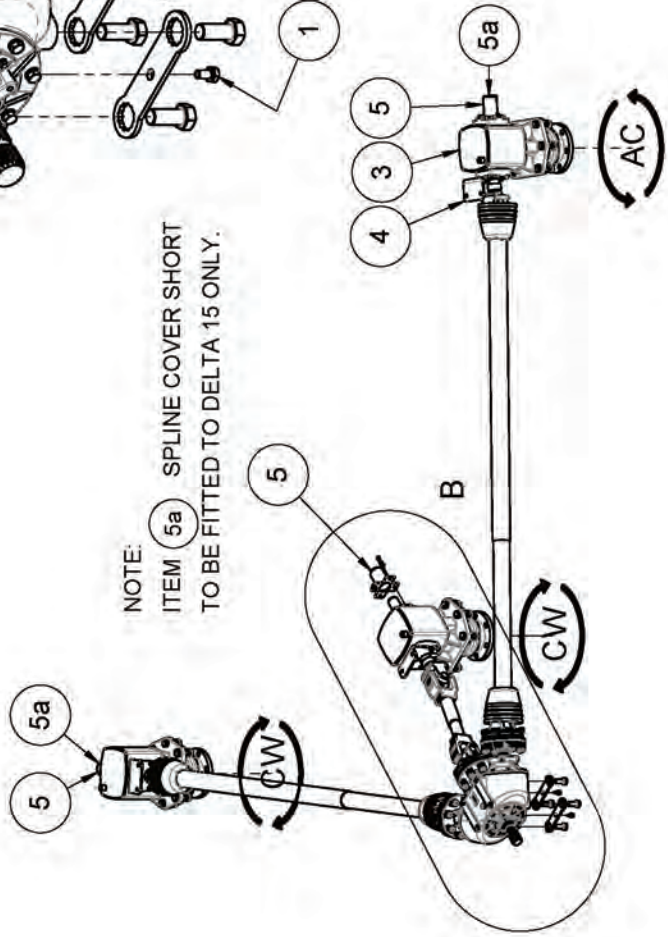
NOTE:
CUTTERHEAD GEARBOX OIL FILLERS
SHOWN IN ORIGINAL POSITIONS

THE WING MOUNTED G/BOX OIL FILLERS
ARE TO BE MOVED TO THE "HIGH" SIDE OF
THE G/BOX TO PREVENT SPILLAGE WHEN
WINGS ARE LIFTED INTO THE VERTICAL POSITION



DETAIL B

NOTE:
SMEAR A SMALL AMOUNT OF LOCTITE
ITEM 1 TO THE THREADS OF ITEM 17
BEFORE TIGHTENING SET SCREWS

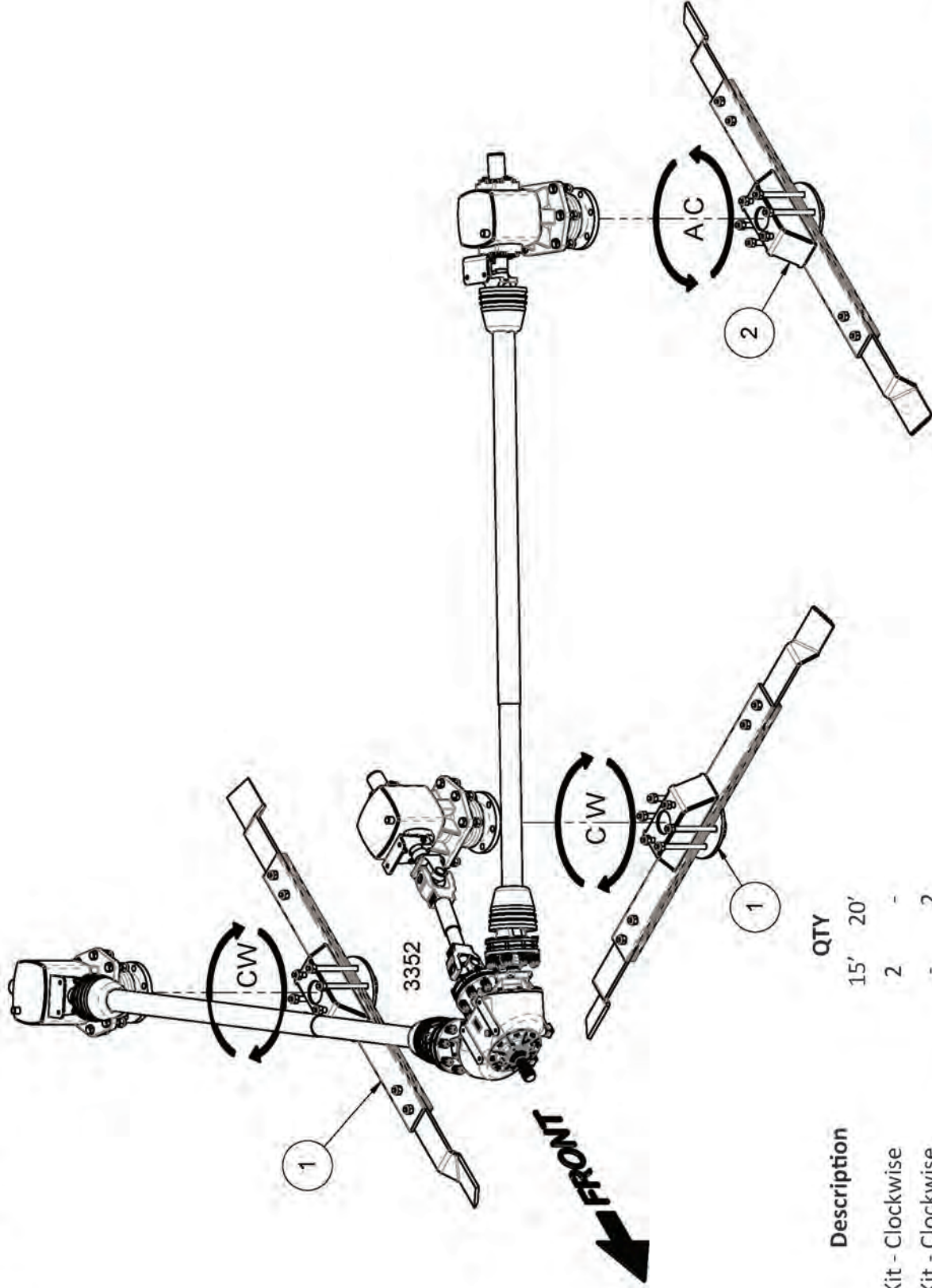


NOTE:
ITEM 5a SPLINE COVER SHORT
TO BE FITTED TO DELTA 15 ONLY.

Driveline (Cont)

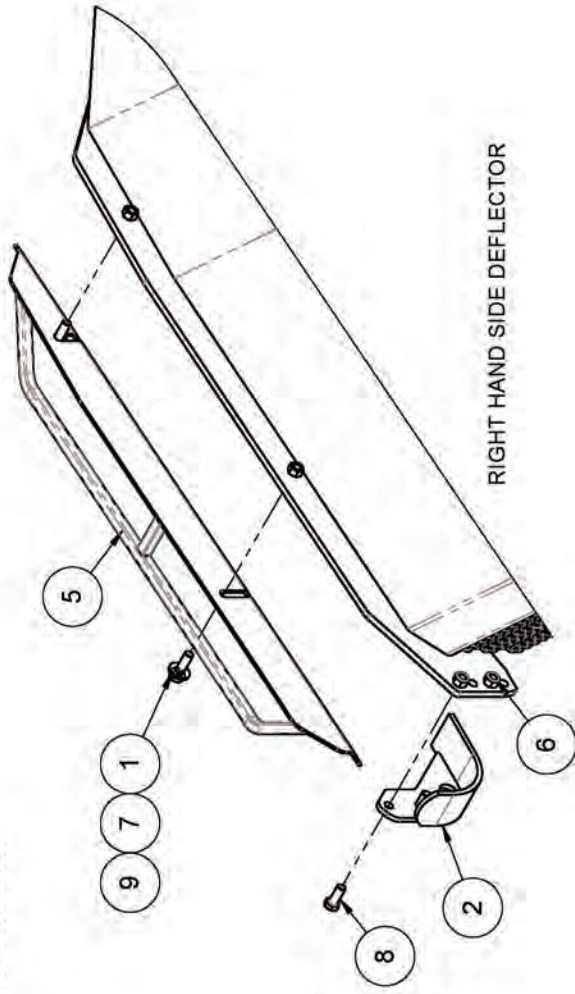
Item	GPN	Description	Qty.	
			15'	20'
1	210075	Adhesive Loctite 243	0.1	0.1
2	223532	Gear Box - Power Divider 3 Way	1	1
3	223533	Gear Box - Cutterhead 1:1	3	3
4	223634	Bracket- Guard Mount	2	2
5	223636	Guard - Spline Cover Long	1	3
5a	223721	Guard - Spline Cover Short (D15)	2	-
6	223635	Bracket- Guard Mount Front (D15)	1	-
	223953	Bracket- Guard Mount Front (D20)	-	1
7	223534	Shaft PTO V80 Wing D15 Comer	2	-
	224039	Shaft PTO V80 Wing D20 Comer	-	2
8	223565	Shaft PTO E80 255mm Comer	1	-
	224040	Shaft PTO E80 380mm Comer	-	1
9	236817	Lock Plate	2	2
10	903933	Nut Nyloc M20	18	18
11	907412	Washer Flat M8 x 17 ZP	21	21
12	909004	Washer Spring M8 ZP	21	21
13	909005	Washer Spring M10x2.35x2.4 Z/P	2	2
14	912810	Bolt 3/4" UNC x 1-3/4" HT	4	4
15	913808	Bolt M20 x 75 Gr 10.9 ZP	18	18
16	917308	Screw Set M8 x 20 x 1.25	21	21
17	917418	Screw Set M10 x 20 S/S	2	2

Blade Inst'n - Side Throw Model

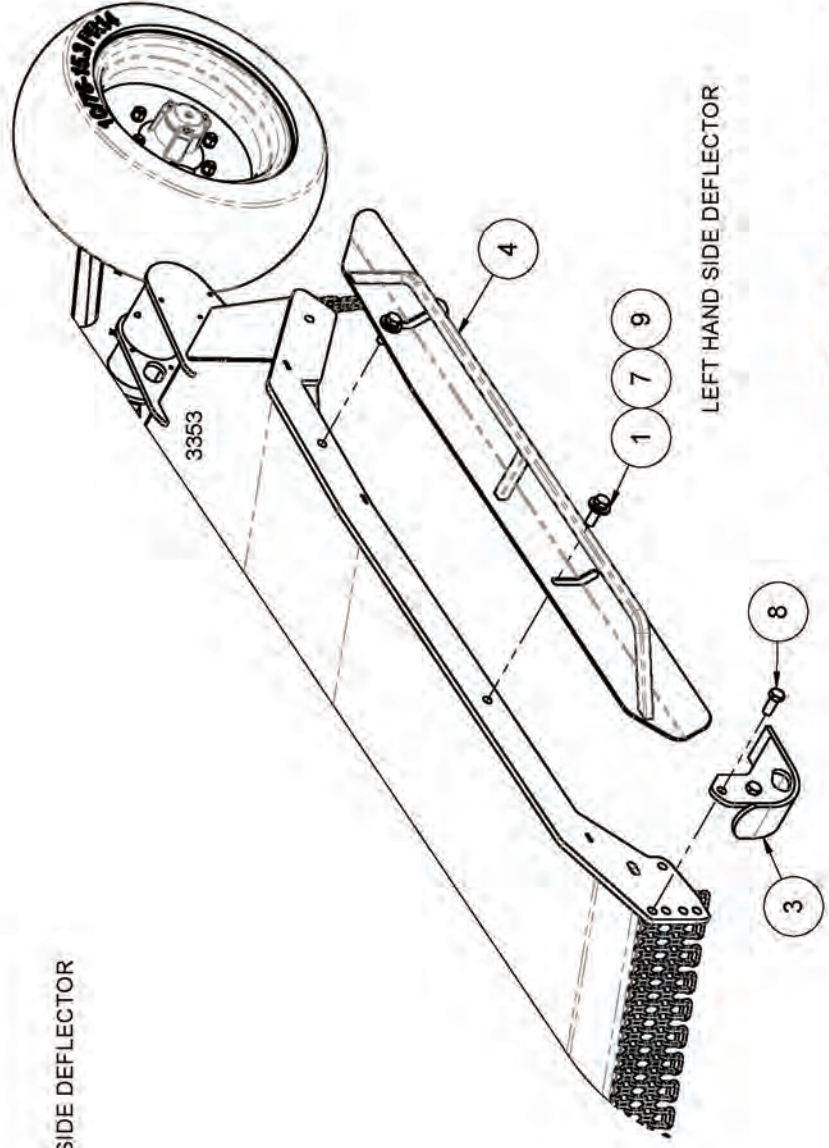


Item	GPN	Description	QTY
1	236624	Blade Kit - Clockwise	15'
2	236626	Blade Kit - Clockwise	20'
3	236625	Blade Kit - Anti Clockwise	2
4	236627	Blade Kit - Anti Clockwise	1

Side Deflector Installation



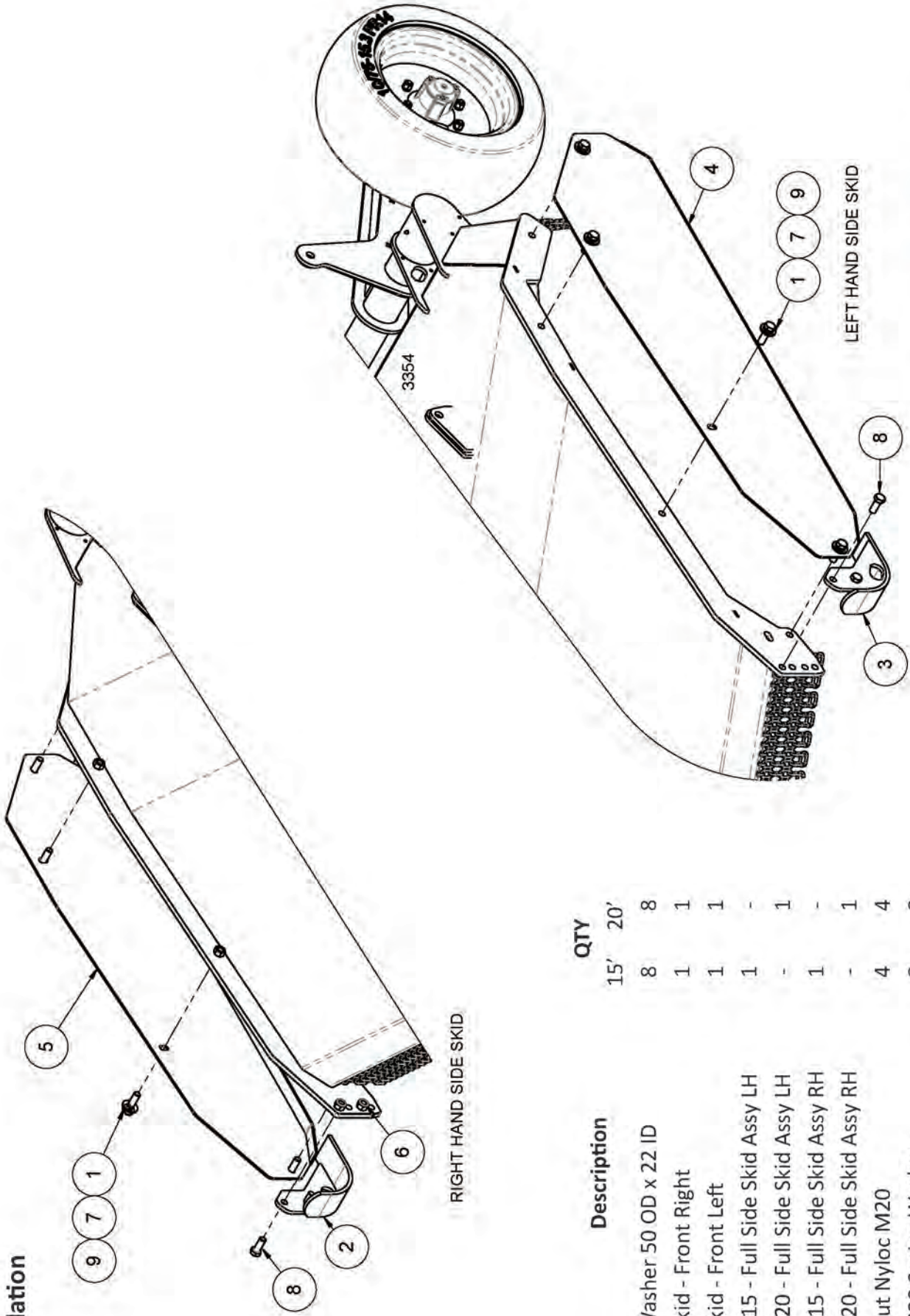
RIGHT HAND SIDE DEFLECTOR



LEFT HAND SIDE DEFLECTOR

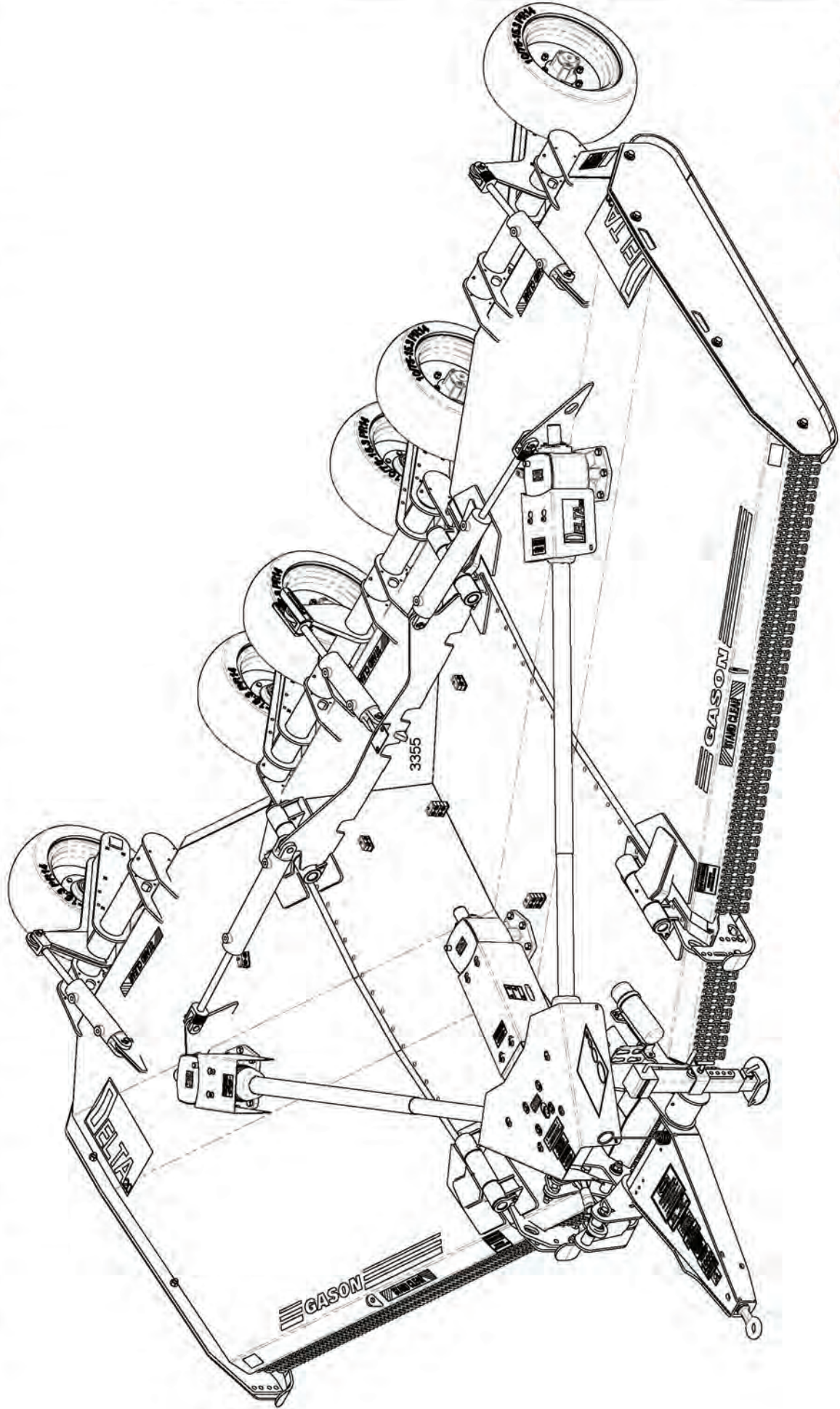
Item	GPN	Description	QTY
1	226827	Washer 50 OD x 22 ID	15' 20'
2	233794	Skid - Front Right	4
3	233795	Skid - Front Left	1
4	235996	D15 - Guard LH	1
	236586	D20 - Guard LH	-
5	235997	D15 - Guard RH	1
	236587	D20 - Guard RH	-
6	903931	Nut Nyloc M20	1
7	909002	M20 Spring Washer	4
8	913702	Bolt M20 x 50 GR8.8	4
9	913713	Bolt M20 x 65 GR8.8	4

Side Skids Installation



Item	GPN	Description	QTY
1	226827	Washer 50 OD x 22 ID	15' 20'
2	233794	Skid - Front Right	8
3	233795	Skid - Front Left	1
4	235998	D15 - Full Side Skid Assy LH	1
5	236443	D20 - Full Side Skid Assy LH	-
6	235999	D15 - Full Side Skid Assy RH	1
7	236444	D20 - Full Side Skid Assy RH	-
8	903931	Nut Nyloc M20	4
9	909002	M20 Spring Washer	8
8	913702	Bolt M20 x 50 GR8.8	4
9	913713	Bolt M20 x 65 GR8.8	8

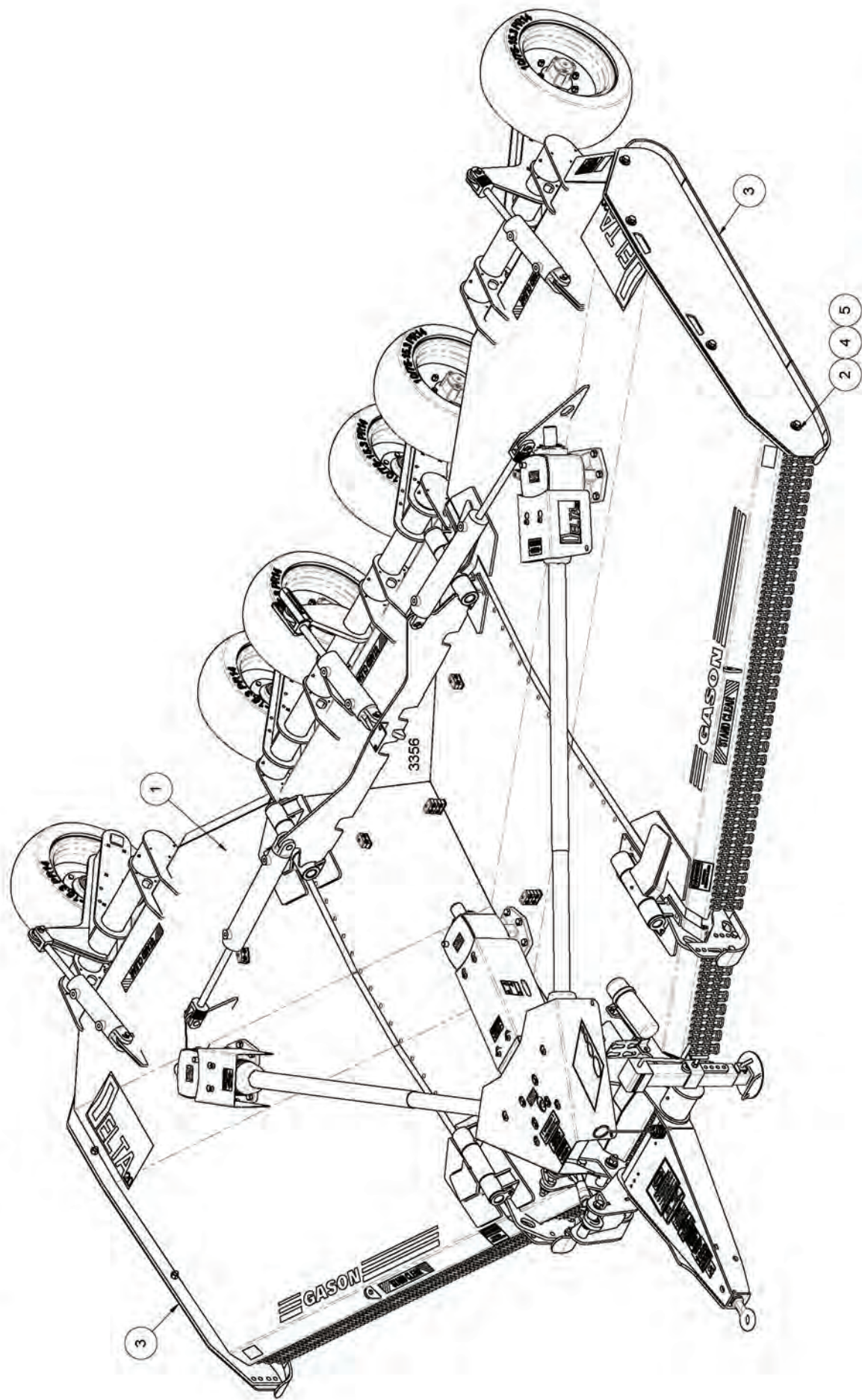
15' & 20' DELTA MOWER with REAR THROW



GASON



General Assembly - Side Throw Model



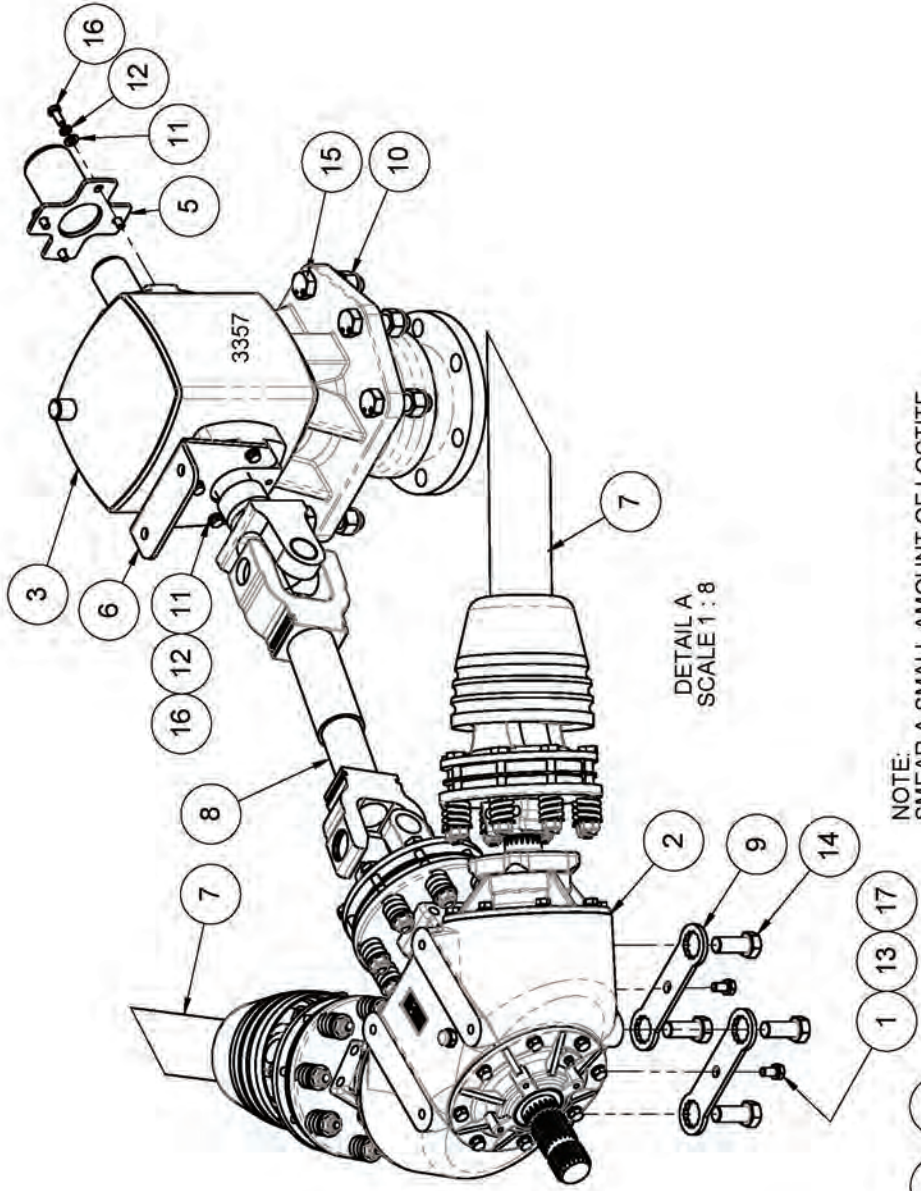
General Assembly - Side Throw Model (Cont)

Item	GPN	Description	Qty	
			15'	20'
1	223400	Delta 15 Base Mower	1	-
	223945	Delta 20 Base Mower	-	1
2	226827	Washer 50 OD x 22 ID x 6	8	8
3	236246	D15 - Full Side Skid Assy	2	-
	236445	D20 - Full Side Skid Assy	-	2
4	909002	M20 Spring Washer	8	8
5	913713	Bolt M20 x 65 GR8.8 Hex ZP	8	8

Driveline

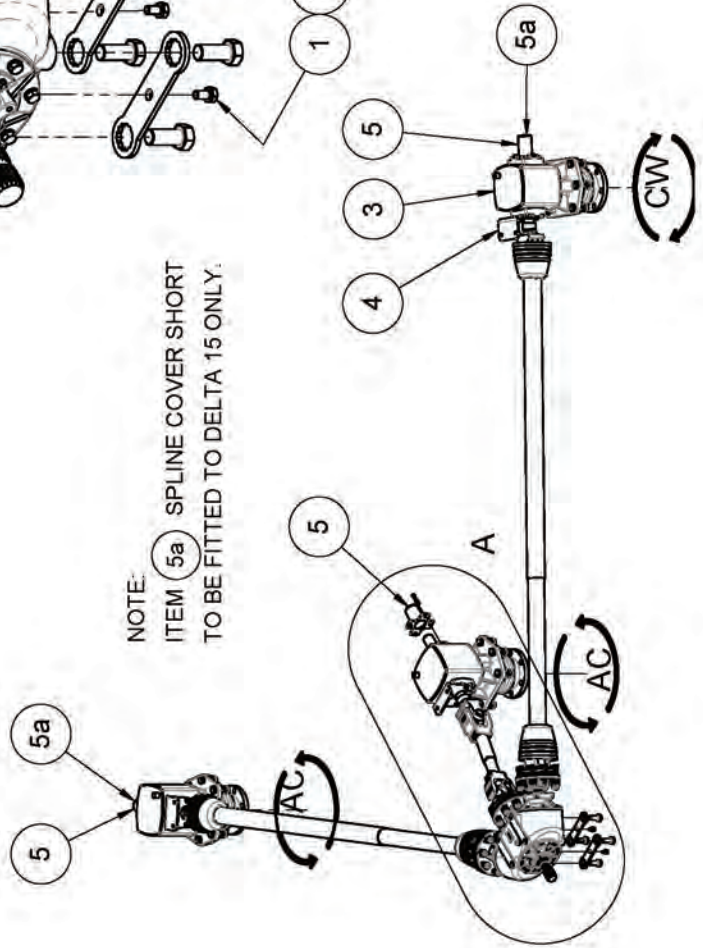
NOTE:
CUTTERHEAD GEARBOX OIL FILLERS
SHOWN IN ORIGINAL POSITIONS

THE WING MOUNTED G/BOX OIL FILLERS
ARE TO BE MOVED TO THE "HIGH" SIDE OF
THE G/BOX TO PREVENT SPILLAGE WHEN
WINGS ARE LIFTED INTO THE VERTICAL POSITION



DETAIL A
SCALE 1 : 8

NOTE:
SMEAR A SMALL AMOUNT OF LOCTITE
ITEM (1) TO THREADS OF ITEM (17)
BEFORE TIGHTENING

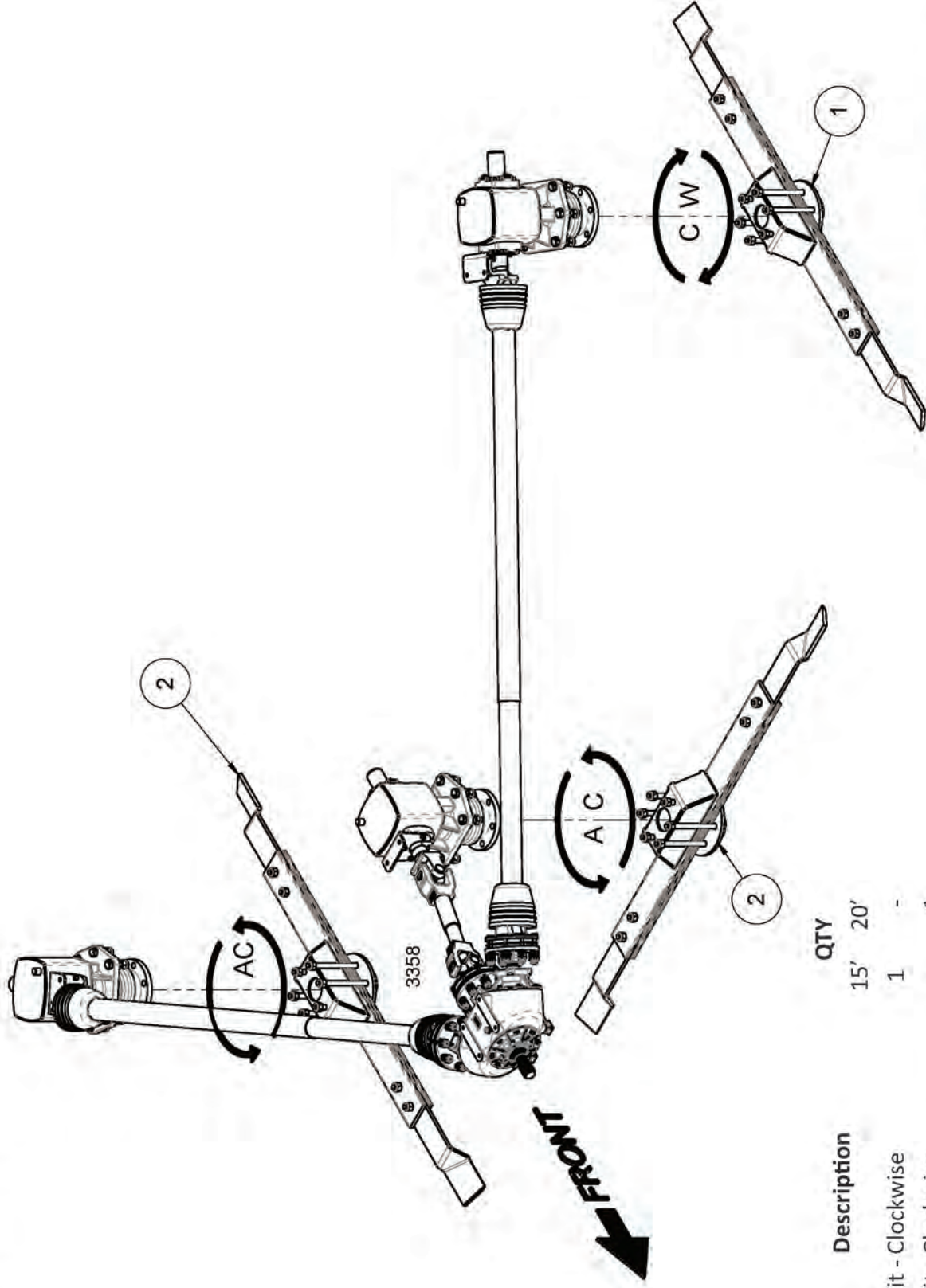


NOTE:
ITEM (5a) SPLINE COVER SHORT
TO BE FITTED TO DELTA 15 ONLY.

Driveline (Cont)

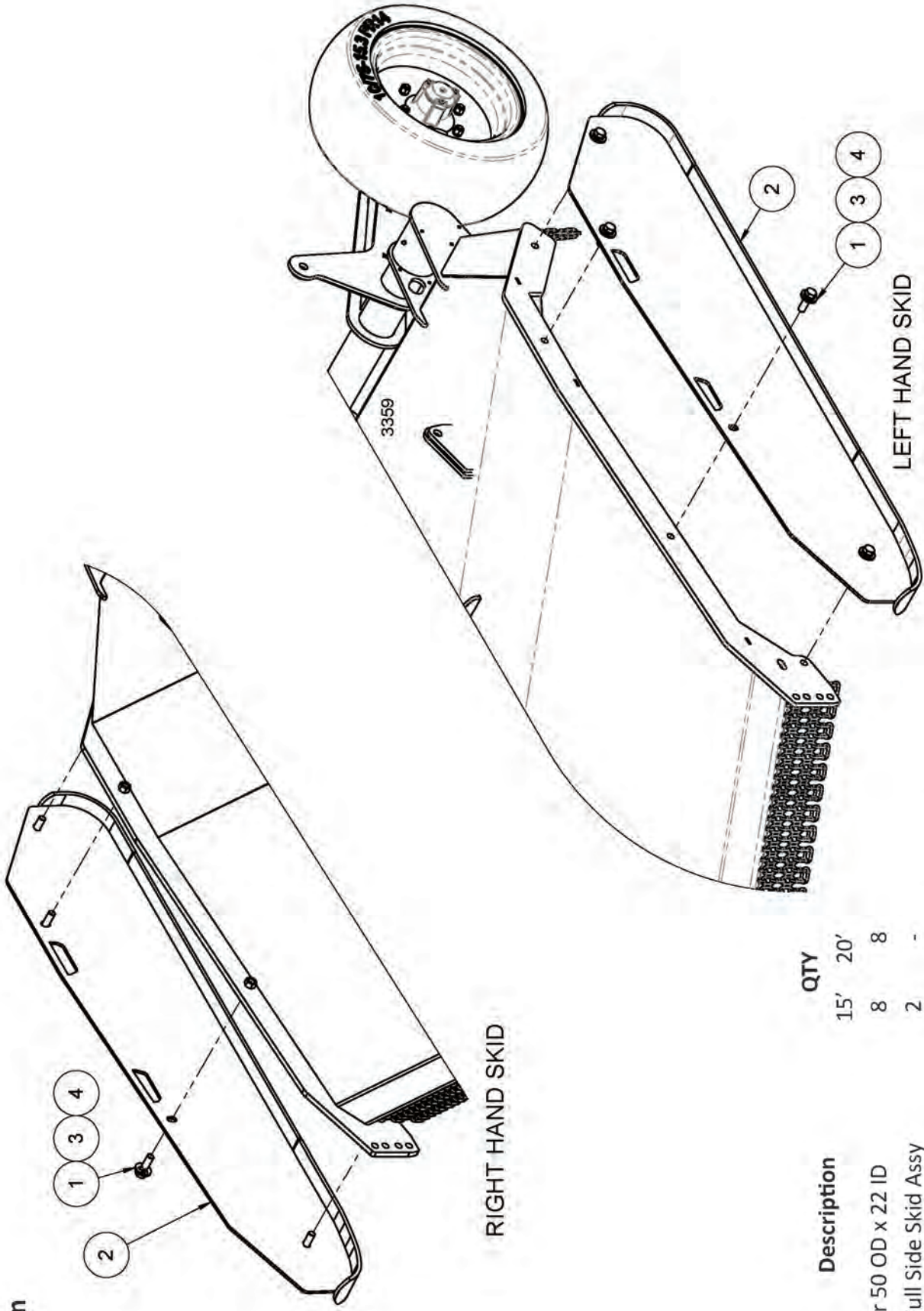
Item	GPN	Description	Qty.	
			15'	20'
1	210075	Adhesive Loctite 243	0.1	0.1
2	223532	Gear Box - Power Divider 3 Way	1	1
3	223533	Gear Box - Cutterhead 1:1	3	3
4	223634	Bracket- Guard Mount	2	2
5	223636	Guard - Spline Cover Long	1	3
5a	223721	Guard - Spline Cover Short (D15)	2	-
6	223635	Bracket- Guard Mount Front (D15)	1	-
	223953	Bracket- Guard Mount Front (D20)	-	1
7	223534	Shaft PTO V80 Wing D15 Corner	2	-
	224039	Shaft PTO V80 Wing D20 Corner	-	2
8	223565	Shaft PTO E80 255mm Corner	1	-
	224040	Shaft PTO E80 380mm Corner	-	1
9	236817	Lock Plate	2	2
10	903933	Nut Nyloc M20	18	18
11	907412	Washer Flat M8 x 17 ZP	21	21
12	909004	Washer Spring M8 ZP	21	21
13	909005	Washer Spring M10x2.35x2.4 Z/P	2	2
14	912810	Bolt 3/4" UNC x 1-3/4" HT	4	4
15	913808	Bolt M20 x 75 Gr 10.9 ZP	18	18
16	917308	Screw Set M8 x 20 x 1.25	21	21
17	917418	Screw Set M10 x 20 S/S	2	2

Blade Inst'n - Rear Throw Model



Item	GPN	Description	QTY
1	236624	Blade Kit - Clockwise	15' 20'
2	236626	Blade Kit - Clockwise	1
3	236625	Blade Kit - Anti Clockwise	2
4	236627	Blade Kit - Anti Clockwise	2

Side Skids Installation



Item	GPN	Description	QTY
1	226827	Washer 50 OD x 22 ID	15' 8
2	236246	D15 - Full Side Skid Assy	20' 8
3	236445	D20 - Full Side Skid Assy	- 2
3	909002	M20 Spring Washer	8 8
4	913713	Bolt M20 x 65 GR8.8	8 8