

OFFSET DISK HARROW

GCRO 7010 (AXLE 1.3/4") ARTICULATED HYDRAULIC 48/52/56 DISCS

Code: 0501092391
Series: S-0618
Revision: 00
Date Revision: JULHO/2022

PARTS CATALOGUE



MARCHESAN



PRODUCTS

Code	Description
0102560316	GCRO 7010 48X30X7,5 DMO C/ET LT4400 ESP S-0618
0102560317	GCRO 7010 48X30X7,5 DMO HID S/ET LT4400 ESP S-0618
0102560320	GCRO 7010 52X30X7,5 DMO HID C/ET LT4400 ESP S-0618
0102560321	GCRO 7010 52X30X7,5 DMO HID S/ET LT4400 ESP S-0618
0102560324	GCRO 7010 56X30X7,5 DMO HID C/ET LT4400 ESP S-0618
0102560325	GCRO 7010 56X30X7,5 DMO HID S/ET LT4400 ESP S-0618

ATTENTION: IMPORTANT

Marchesan S.A. reserves the right to improve and/or modify the technical features of its products, without obligation to do the same with those products already sold and without prior knowledge of the dealer or the consumer. The photos are only illustrative.

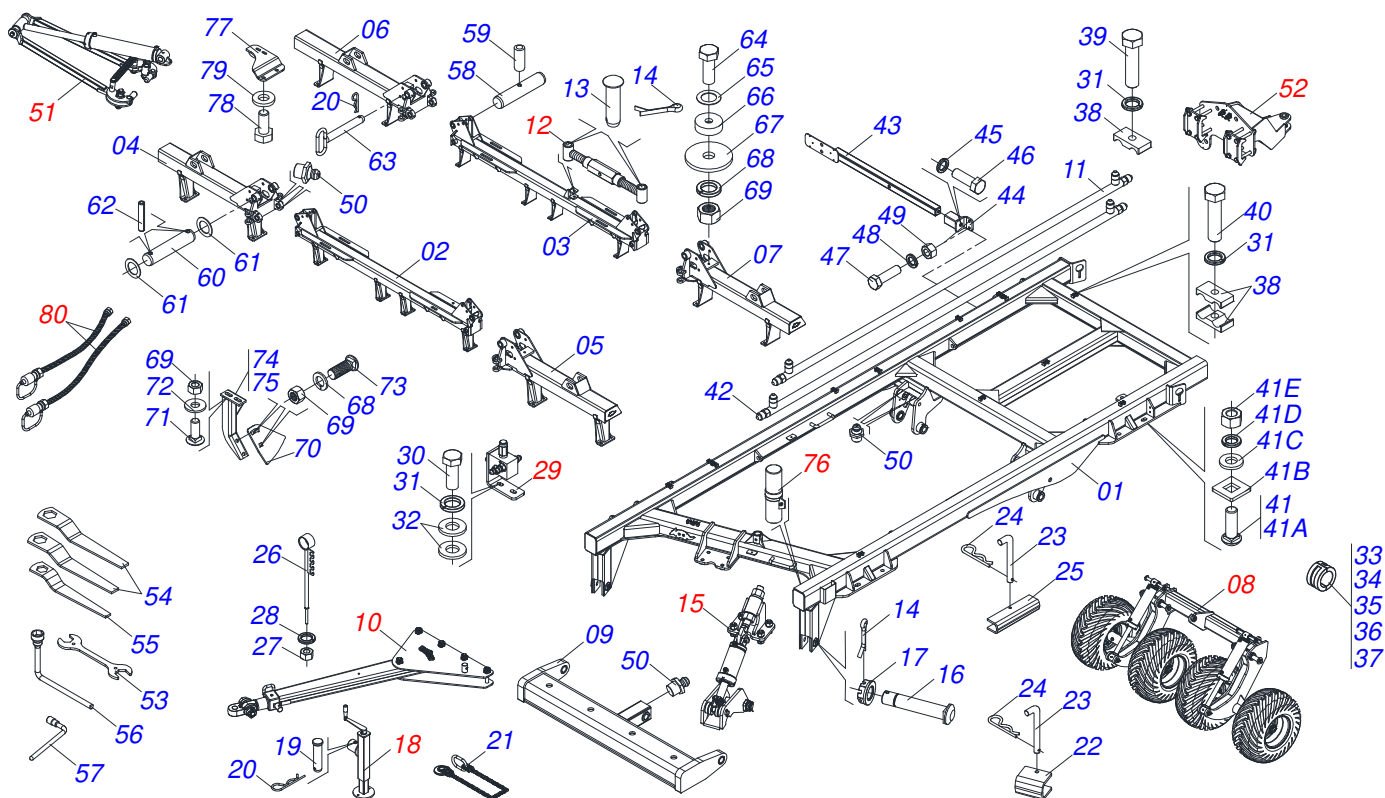


MARCHESAN

INDEX

0909095014	ASSY FRAME	1
0909093472	WHEEL ASSY	2
0521051832	HYDRAULIC CYLINDER 53,98 X 114,30 X 654 X 346	3
0501056467	STUB SHAFT & HUB ASSY	4
0503060102	WHEEL AND TIRE	5
0501052005	STABILIZER FOR GANG	6
0909093462	HEAD ARTICULATED ASSY	7
0521046001	50,80 X 101,60 X 410 X 107 HYDRAULIC CILINDER	8
0511048088	DRAWBAR JACK	9
0511059196	VALVE ASSY	10
0909092839	ARTICULATOR ASSY	11
0501057273	PIVOT ARM ASSY	12
0501057274	LH REAR DRIVER ARM	13
0511057940	HYDRAULIC CILINDER	14
0909092741	REAR COUPLING KIT	15
0501053835	FEMALE QUICK COUPLER	16
0521052964	MANUAL DOOR ASSY INSTRUCTION	17
0909095015	SECTION BLADES FRONT RIGHT / LEFT SIDE	18
0909095016	FRONT / REAR CENTER DISC SECTION	19
0909095017	RIGHT SIDE REAR DISC SECTION	20
0909095018	LEFT SIDE REAR DISC SECTION	21
0511048362	BEARING	22
0909095020	HYDRAULIC CIRCUIT FRAME ARTICULATE	23
0909095021	HYDRAULIC CIRCUIT OF THE WHEELS WITH VALVE CYLINDER	24
0501053834	MALE QUICK COUPLER	25

ASSY FRAME



Item	Code	Description	See page	048	052	056
001	0521066477	FRAME		001	001	001
002	0521068674	FRONT CENTRAL FRAME (3240) (TRANSPORT 4400)		001	001	001
003	0521068675	REAR CENTRAL FRAME (3240) (TRANSPORT 4400)		001	001	001
004	0521066573	RIGHT SIDE REAR FRAME 48D (4400)		001	000	000
004.	0521066576	RIGTH SIDE REAR FRAME 52D (4400)		000	001	000
004..	0521068676	FRONT SIDE FRAME RIGHT 56D (4400)		000	000	001
005	0521066572	LEFT SIDE FRONT FRAME 48D (4400)		001	000	000
005.	0521066578	LEFT SIDE REAR FRAME 52D (4400)		000	001	000
005..	0521068678	FRONT LEFT SIDE FRAME 56D (4400)		000	000	001
006	0521066571	RIGHT SIDE REAR FRAME 48D (4400)		001	000	000
006.	0521066579	RIGHT SIDE REAR FRAME 52D (4400)		000	001	000
006..	0521068689	RIGHT SIDE REAR CHASSIS 56D (4400)		000	000	001
007	0521066574	LEFT SIDE REAR FRAME 48D (4400)		001	000	000
007.	0521066577	LEFT SIDE REAR FRAME 52D (4400)		000	001	000
007..	0521068750	LEFT SIDE REAR FRAME 56D (4400)		000	000	001
008	0909093472	WHEEL ASSY	2	001	001	001
009	0521066494	HITCH BAR		001	001	001
010	0511041592	ASSY TRACTION BAR (PIN 3)		001	001	001
011	0521066126	DISTRIBUTOR OIL TUBE		002	002	002
012	0501052005	STABILIZER FOR GANG	6	001	001	001
013	0521010546	1.2" X 5.7" COUPLING SHAFT		002	002	002
014	0503010010	1/4" X 2.1/2" COTTERPIN		003	003	003
015	0909093462	HEAD ARTICULATED ASSY	7	001	001	001
016	0531018100	37,50 X 200 COUPLING SHAFT		002	002	002
017	0501011301	1.1/2 UNC 6FPP 2.5/16 NUT		003	003	003
018	0511048088	DRAWBAR JACK	9	001	001	001
019	0561014251	COUPLING SHAFT		001	001	001
020	0503030012	HITCH PIN CLIP		001	001	001
021	0503013150	1300 X 3/8 CHAIN		001	001	001
022	0581010751	TRANSPORT LOCK		001	001	001
023	0541016844	FIXER LOCK		003	003	003



ASSY FRAME

0909095014

Item	Code	Description	See page	048	052	056
024	0503030285	HITCH PIN CLIP		003	003	003
025	0561016693	TRANSPORT LOCK		002	002	002
026	0521062849	HOSE HOLDER ASSY		001	001	001
027	0503010014	3/4" NUT		001	001	001
028	0503010023	3/4" SPRING WASHER		001	001	001
029	0511059196	VALVE ASSY	10	001	001	001
030	0503011173	7/16" X 2" BOLT		002	002	002
031	0503010180	7/16" SPRING WASHER		016	016	016
032	0501012803	FLAT WASHER		002	002	002
033	0501047895	ROD STOP		006	006	006
034	0501047885	ROD STOP		003	003	003
035	0501047886	ROD STOP		003	003	003
036	0501047887	ROD STOP		003	003	003
037	0501047888	ROD STOP		003	003	003
038	0502010477	HOSE CLAMP		018	018	018
039	0503011135	BOLT		012	012	012
040	0503011103	7/16" X 2-1/2" BOLT		002	002	002
041	0501041102	1-1/4" X 3-3/4" ASSY BOLT		008	008	008
041A	0501015348	1-1/4" X 3-3/4" BOLT		008	008	008
041B	0501010953	1-1/4" SQUARE WASHER		008	008	008
041C	0531010713	FLAT WASHER		008	008	008
041D	0503010070	SPRING WASHER		008	008	008
041E	0501010087	1.1/4" NUT		008	008	008
042	0521066937	DUCT DISTRIBUTOR OF OIL		002	002	002
043	0521068684	LANTERN FIXING SUPPORT		002	002	002
044	0521066624	FIXER SUPPORT LANTERN		002	002	002
045	0503010023	3/4" SPRING WASHER		012	012	012
046	0501010098	3/4" UNC BOLT		010	010	010
047	0503011082	C1/2" X 1.3/4" SCREW		004	004	004
048	0503010019	1/2" SPRING WASHER		004	004	004
049	0503010060	1/2" NUT		004	004	004
050	0503010002	1800 GREASE FITTING		046	046	046
051	0909092839	ARTICULATOR ASSY	11	001	001	001
052	0909092741	REAR COUPLING KIT	15	001	001	001
053	0541015451	FIXED KEY 2.3/8 X 2.3/4		001	001	001
054	0501011431	1-3/4" GANG BOLT WRENCH		002	002	002
055	0501011432	1-1/2" AND 1-5/8 GANG BOLT WRENCH		001	001	001
056	0503016137	1-1/4" WRENCH CABLE CYLINDER		001	001	001
057	0503018438	1" WRENCH CYLINDRICAL HEX		001	001	001
058	0541016676	1.1/2 X 175 AXLE		004	004	004
059	0503013662	1/2" X 1" BOLT		004	004	004
060	0521011720	2.0" X 15.7" COUPLING SHAFT		004	004	004
061	0511019776	FLAT WASHER		008	008	008
062	0503011069	0.4" X 2.8" SPRING PIN		008	008	008
063	0501069463	1" X 8" LOCK PIN		004	004	004
064	0503010233	5/8" X 2-1/2" BOLT		004	004	004
065	0571010265	16.5 X 40 X 3 FLAT WASHER		004	004	004
066	0581011153	FRAME BEAT		004	004	004
067	0571013284	17.5 X 90 X 4.75 FLAT WASHER		004	004	004
068	0503010027	5/8" SPRING WASHER		011	011	011
069	0503010013	5/8" NUT		216	216	216
070	0561014263	CLEANER SHOVEL		049	053	057
071	0503013842	5/8" UNC X 1-3/4" BOLT		098	106	114
072	0501012140	FLAT WASHER		118	126	134
073	0503012195	5/8" NUT		098	106	114
074	0511065926	FRONT SCRAPER SUPPORT		024	026	028
075	0511065925	REAR SCRAPER SUPPORT		025	027	029
076	0521052964	MANUAL DOOR ASSY INSTRUCTION	17	001	001	001
077	0521068685	CLEANER SUPPORT		000	000	001

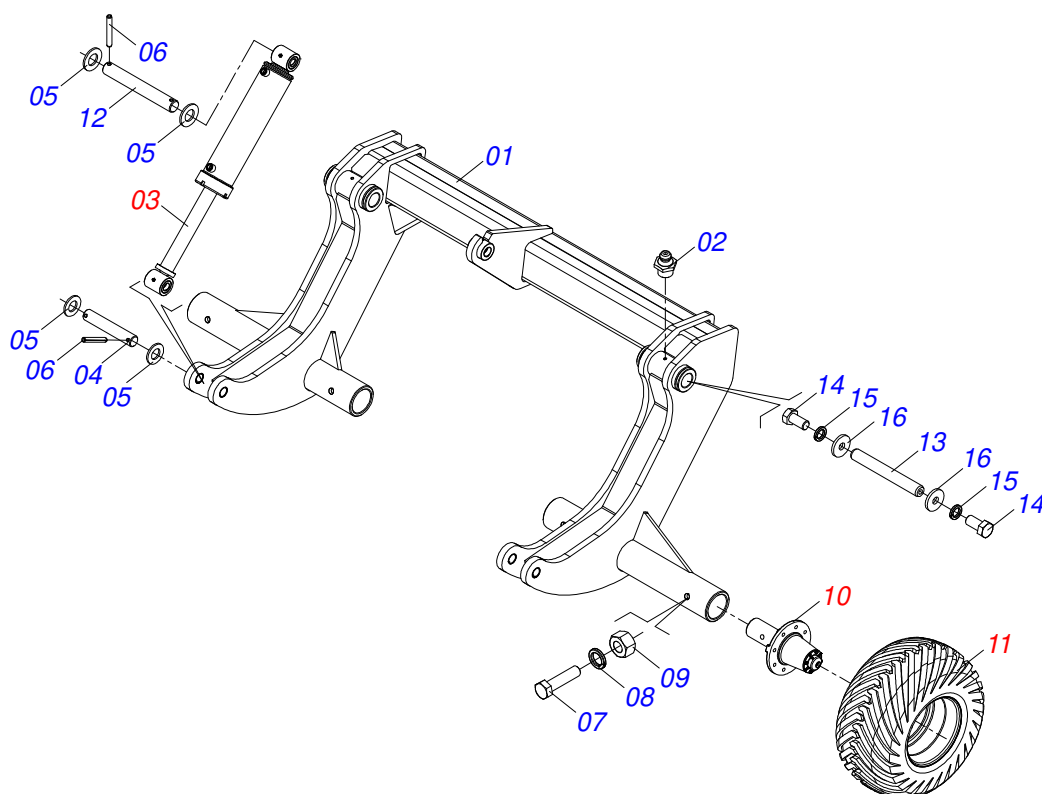


ASSY FRAME

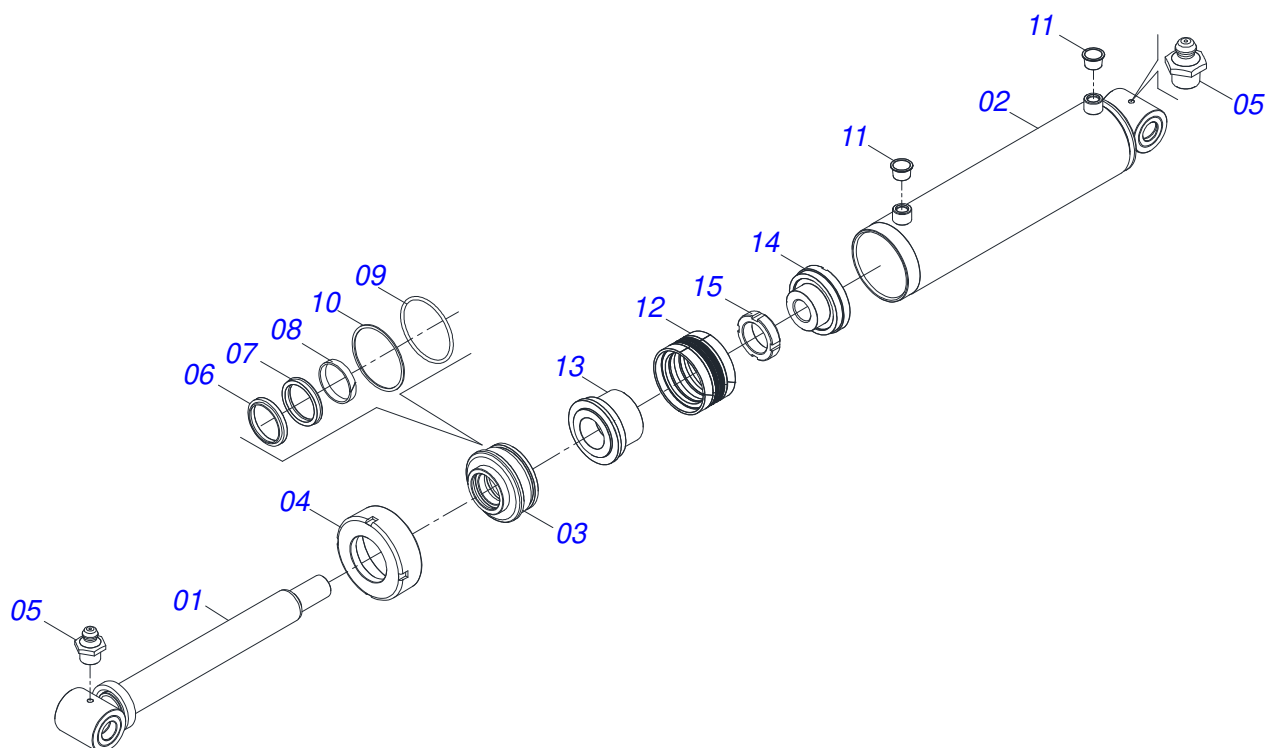
0909095014

Item	Code	Description	See page	048	052	056
078	0503013404	3/4" UNC X 1.3/4" BOLT		000	000	002
079	0541010763	FLAT WASHER		000	000	002
080	0909095020	HYDRAULIC CIRCUIT FRAME ARTICULATE	23	001	001	001
080.	0909095021	HYDRAULIC CIRCUIT OF THE WHEELS WITH VALVE CYLINDER	24	001	001	001

WHEEL ASSY

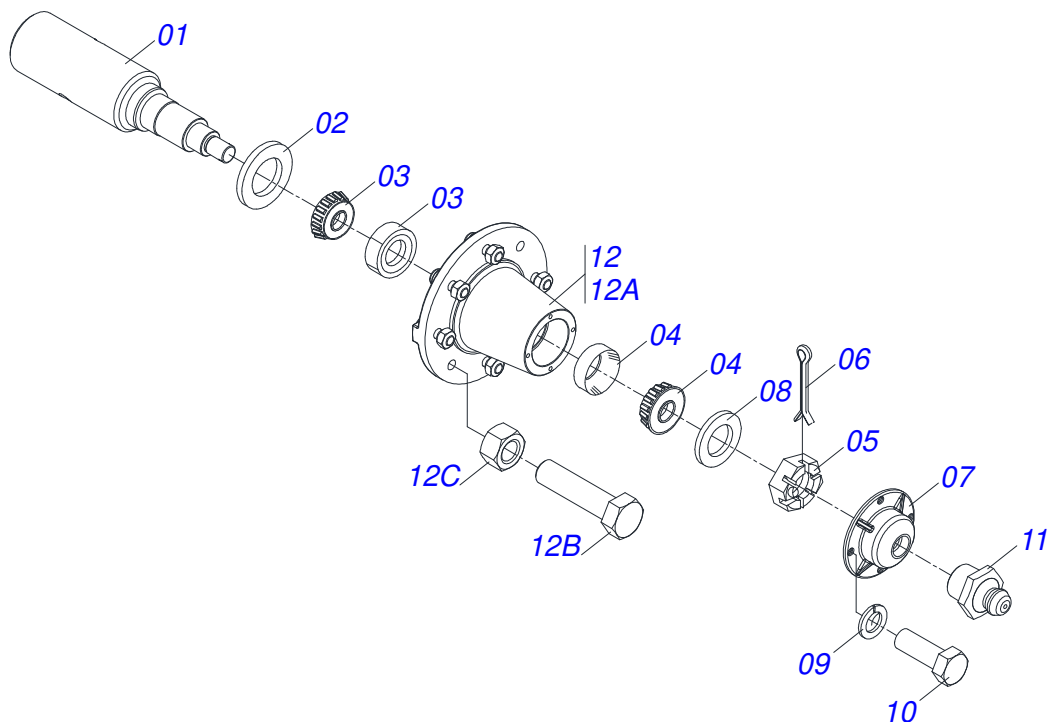


Item	Code	Description	See page	QT
01	0521066478	CARRYNG-WHEELS		01
02	0503010002	1800 GREASE FITTING		02
03	0521051832	HYDRAULIC CYLINDER 53,98 X 114,30 X 654 X 346	3	02
04	0531018101	1.2" X 6.3" PIVOT SHAFT		02
05	0501017779	32 X 60 X 4.75 FLAT WASHER		08
06	0503011877	0.3" X 2.4" SPRING PIN		08
07	0503011198	C3/4" X 6" SCREW		02
08	0503010023	3/4" SPRING WASHER		02
09	0503010014	3/4" NUT		02
10	0501056467	STUB SHAFT & HUB ASSY	4	02
11	0503060102	WHEEL AND TIRE	5	02
12	0531018105	1.2" X 11.8" PIVOT SHAFT		02
13	0531018062	COUPLING SHAFT		02
14	0503011250	1" X 2" BOLT		04
15	0503010012	1" SPRING WASHER		04
16	0521011565	FLAT WASHER		04



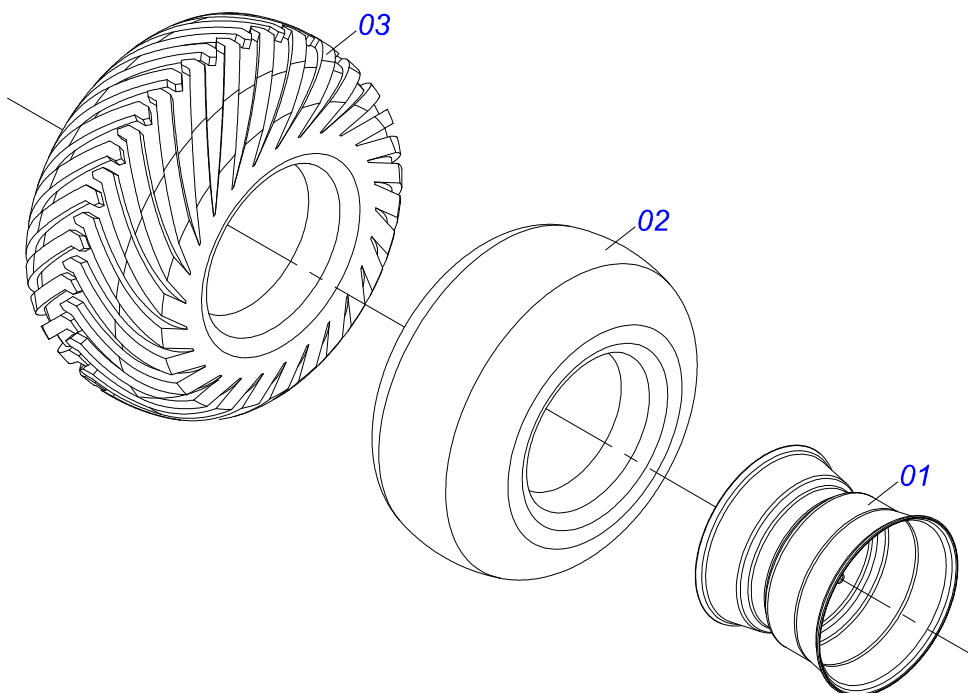
Item	Code	Description	See page	QT
01	0521061684	56,98 X 590,50 TURNBUCKLE		01
02	0521061685	114,30 X 500 CYLINDER CASE		01
03	0502012644	RING SUPPORT		01
04	0502011222	0.56" END CAP		01
05	0503010002	1800 GREASE FITTING		02
06	0503015715	SCRAPER SEALING		01
07	0503015642	U-CUP SEALING		01
08	0503015641	WEAR RING		00
09	0503011892	O' RING, 2-346 N 3006-9B		01
10	0503011893	BACK-UP RING, 8-346		01
11	0503030384	CON PLUG N-001		02
12	0503015640	SEALING SELEMASTER		01
13	0561016578	PISTON BODY		01
14	0581015283	BODY		01
15	0503819100	SCREW		01
16	0511034304	HYDRAULIC CYLINDER REPAIR KIT (0521051832)		01

STUB SHAFT & HUB ASSY

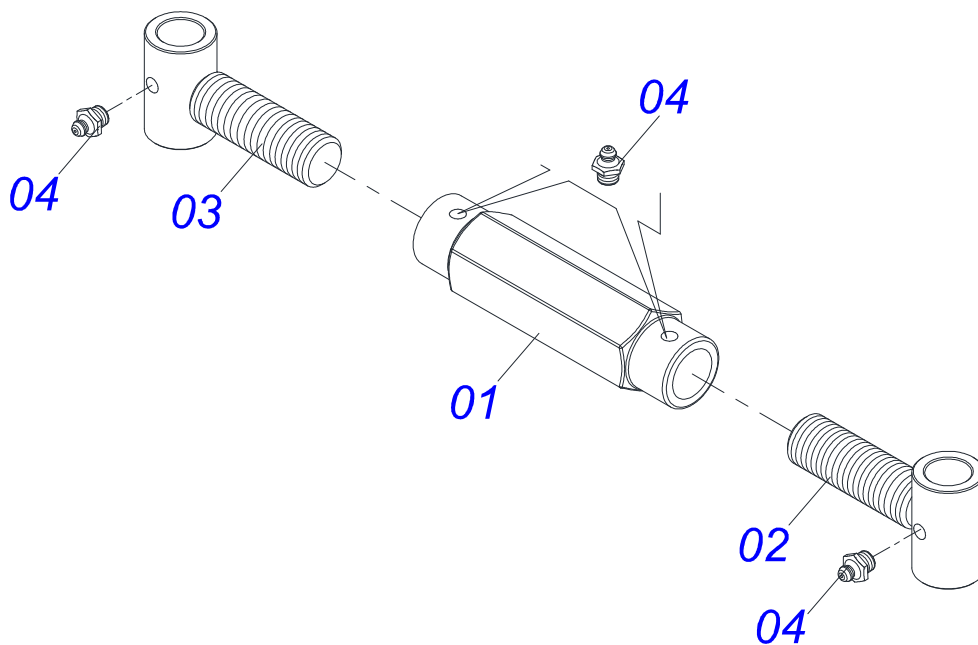


Item	Code	Description	See page	QT
01	0541016566	POINT AXIS 3.1/2 X 375		01
02	0503013314	RETAINER 5166-GB 63,5 X 110 X 13 ARCA		01
03	0503015290	3780/3720 ROLLER BEARING		01
04	0503014821	ROLLER BEARING		01
05	0503830009	1" X 0.9" CASTLE NUT		01
06	0503010018	5/32 X 1-1/2 COTTERPIN		01
07	0502020591	PROTECCION COVER		01
08	0511812492	FLAT WASHER		01
09	0503011444	SPRING WASHER		04
10	0503810358	5/16" X 7/8" UNC BOLT		04
11	0503010002	1800 GREASE FITTING		01
12	0501110738	CARRYING WHEEL HUB		01
12A	0502012260	TRANSPORT WHEEL BOX		01
12B	0501010186	WHEEL SCREW 5/8UNF X 2.1/8CR		08
12C	0503010064	5/8 UNF CONIC NUT		08

WHEEL AND TIRE

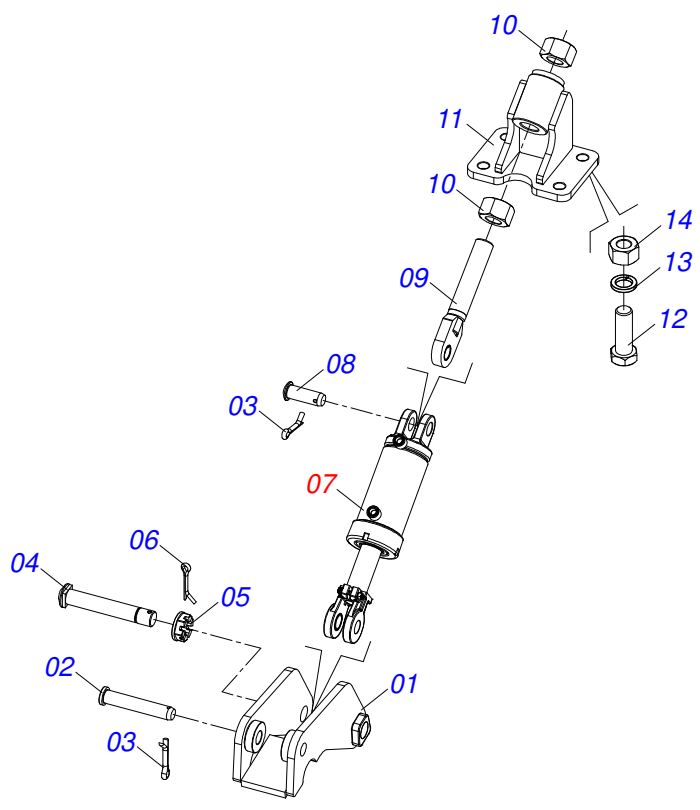


Item	Code	Description	See page	QT
01	0501069483	WHEEL		01
02	0503012112	400/60 - 15.5 TR 15 INNER TIRE		01
03	0503013119	CANVAS TIRE		01

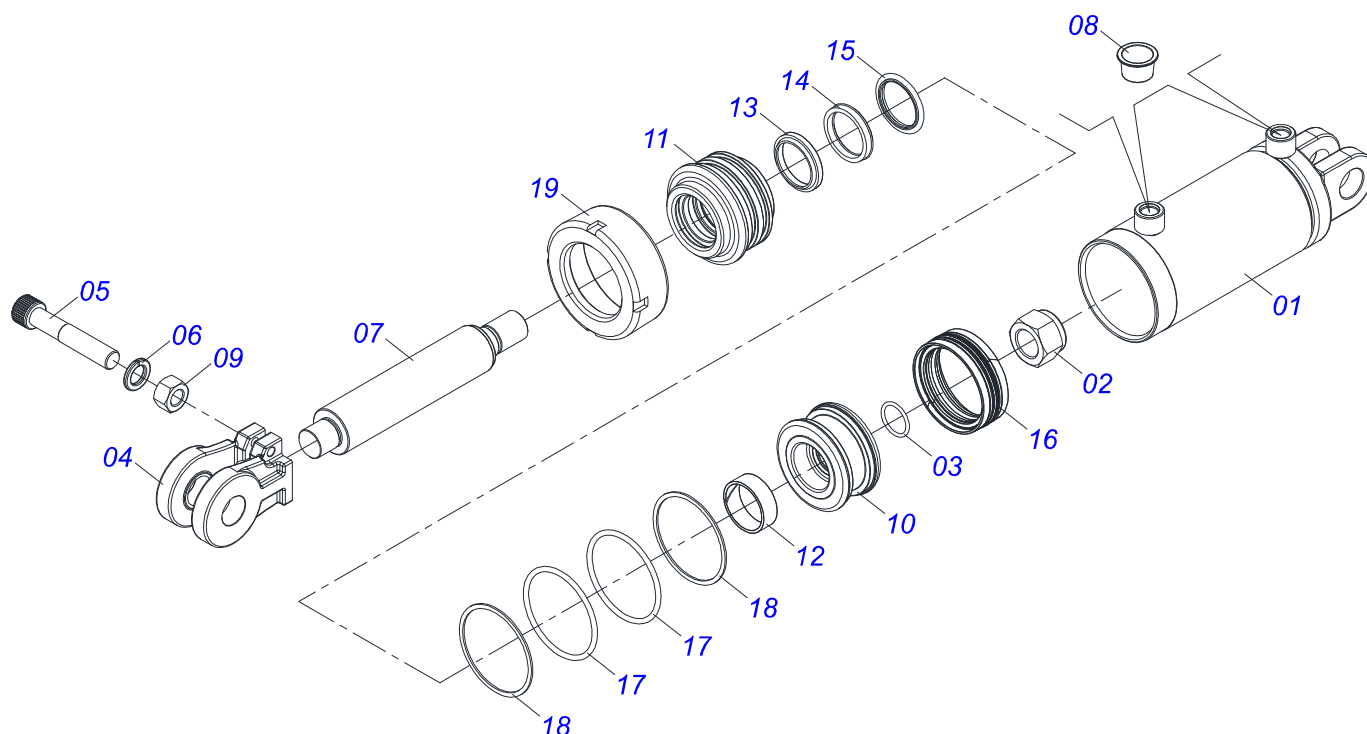


Item	Code	Description	See page	QT
01	0502011469	245 ADJUSTMENT NUT		01
02	0501069416	JACKET		01
03	0501069417	JACK CRANK		01
04	0503010002	1800 GREASE FITTING		04

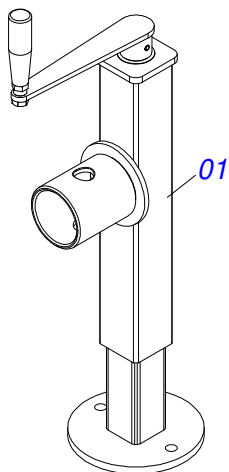
HEAD ARTICULATED ASSY



Item	Code	Description	See page	QT
01	0511064656	DRAWBAR PIVOT		01
02	0531019171	1.25" X 7" COUPLING SHAFT		01
03	0503010523	1/4" X 2" COTTERPIN		02
04	0521812053	1.5" X 8.6" AXLE		01
05	0501011301	1.1/2 UNC 6FPP 2.5/16 NUT		01
06	0503010010	1/4" X 2.1/2" COTTERPIN		01
07	0521046001	50,80 X 101,60 X 410 X 107 HYDRAULIC CILINDER	8	01
08	0521012538	1.2" X 3.5" COUPLING SHAFT		01
09	0511064433	REGULATOR SPINDLE 1-3/4		01
10	0501010333	1.3/4" NUT		02
11	0521066580	CYLINDER FIXER		01
12	0501010276	BOLT		04
13	0503010012	1" SPRING WASHER		04
14	0501010059	1.5/8 NUT		04

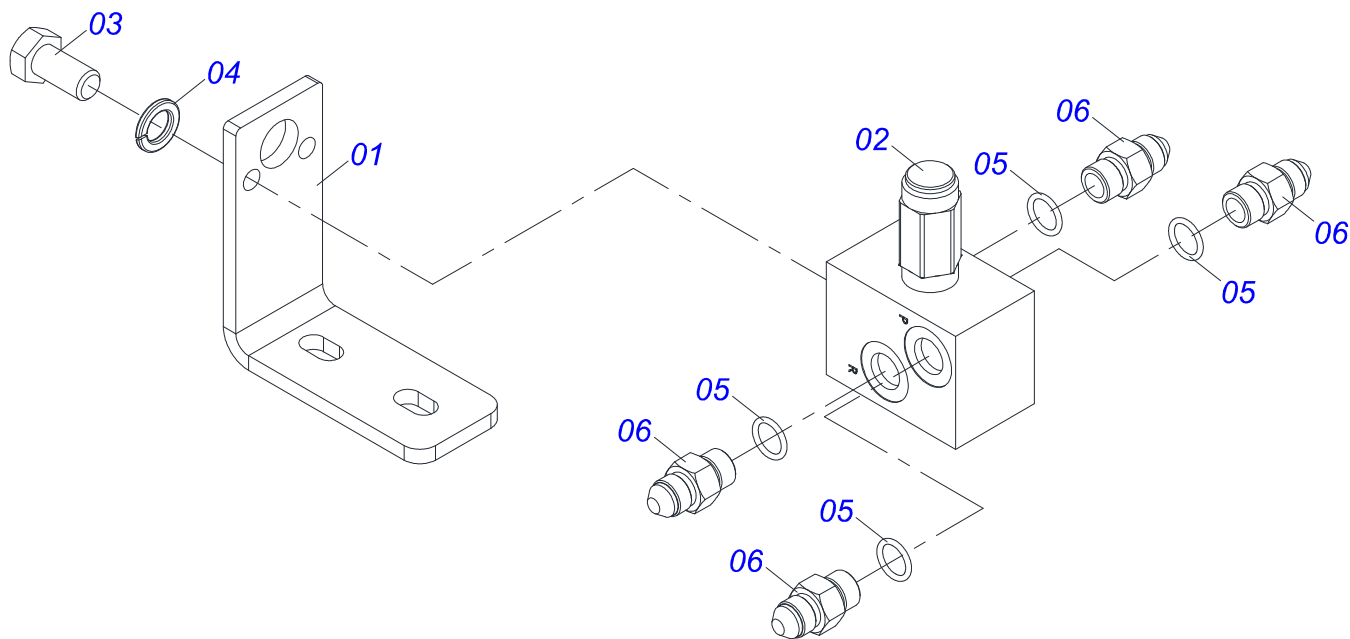


Item	Code	Description	See page	QT
01	0521066575	101,60 X 298 CYLINDER CASE		01
02	0503010817	1.1/4" SELF LOCKING NUT		01
03	0503018029	2-217 O'RING		01
04	0502040747	32.54 CLEVIS CLAMP		01
05	0503011094	3/8" X 2" BOLT		01
06	0503011443	3/8" SPRING WASHER		01
07	0581010749	50,80 X 294 TURNBUCKLE		01
08	0503030384	CON PLUG N-001		02
09	0503010026	3/8" NUT		01
10	0502012820	50.80 X 101.60 PISTON		01
11	0502012821	50.80 X 101.60 RING SUPPORT		01
12	0503018025	RING GUIDE		01
13	0503010039	D-2000 SCRAPER RING		01
14	0503018026	1870-2000-375 B GASKET		01
15	0503018024	RING BS		01
16	0503015633	SELEMASTER SEALING		01
17	0503010338	2-342 N 3006-9B O'RING		02
18	0503011061	8-342 BACK-UP RING		02
19	0502012822	101.60 END CAP		01



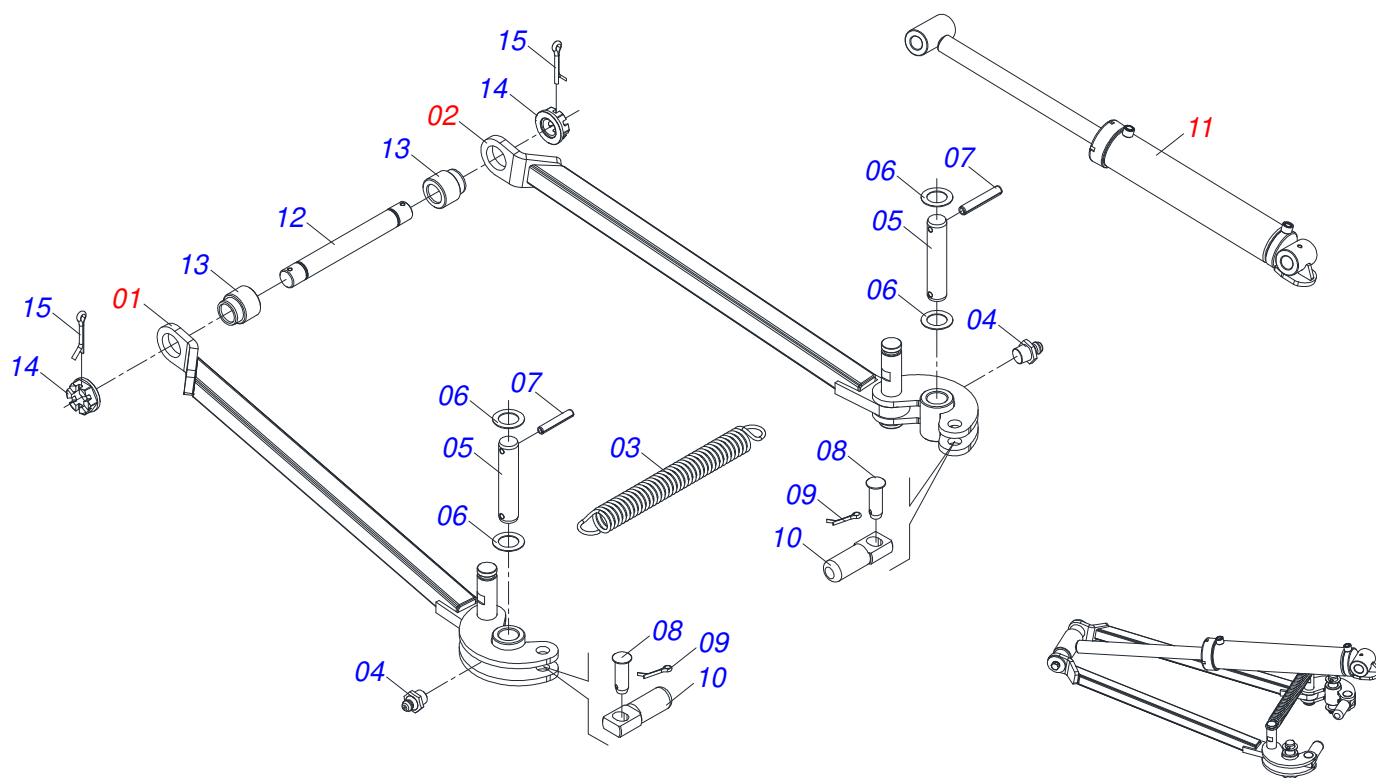
Item	Code	Description	See page	QT
01	0503062227	DRAWBAR JACK		01

VALVE ASSY



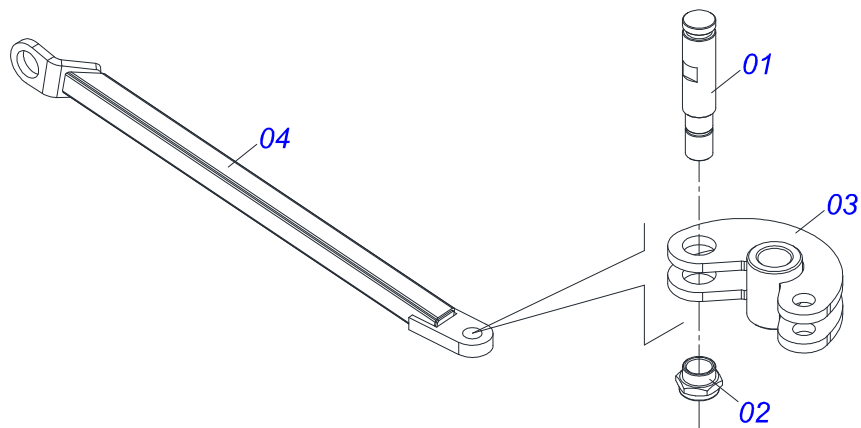
Item	Code	Description	See page	QT
01	0581011745	VALVE SUPPORT		01
02	0503010919	DISCHARGE VALVE		01
03	0503011334	BOLT 3/8 UNC X 3/4 CS G.5 ZN		02
04	0503010025	3/8" SPRING WASHER		02
05	0503010190	2-114 N 3006-9B O'RING		04
06	0501010617	3/4" NIPPLE		04

ARTICULATOR ASSY

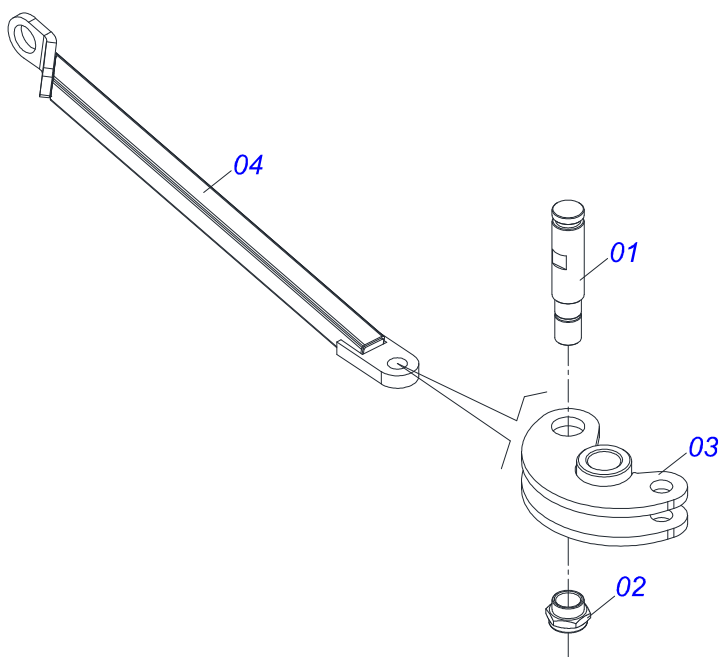


Item	Code	Description	See page	QT
01	0501057274	LH REAR DRIVER ARM	13	04
02	0501057273	PIVOT ARM ASSY	12	04
03	0503032537	50,7 X 325 X 6,35 TRACTION SPRING		04
04	0503010002	1800 GREASE FITTING		04
05	0541016677	37,20 X 177 COUPLING SHAFT		08
06	0511019685	FLAT WASHER		16
07	0503010361	SPRING PIN		16
08	0521010572	0.9" X 2.9" COUPLING SHAFT		08
09	0503010571	1/4" X 1.1/2 COTTERPIN		08
10	0541019253	FRAME LOCK AXLE		08
11	0511057940	HYDRAULIC CILINDER	14	04
12	0501210091	ARTICULATOR PIVOT AXIS		04
13	0541016614	38,20 X 62 X 61 SLEEVE		08
14	0501011301	1.1/2 UNC 6FPP 2.5/16 NUT		08
15	0503010010	1/4" X 2.1/2" COTTERPIN		08

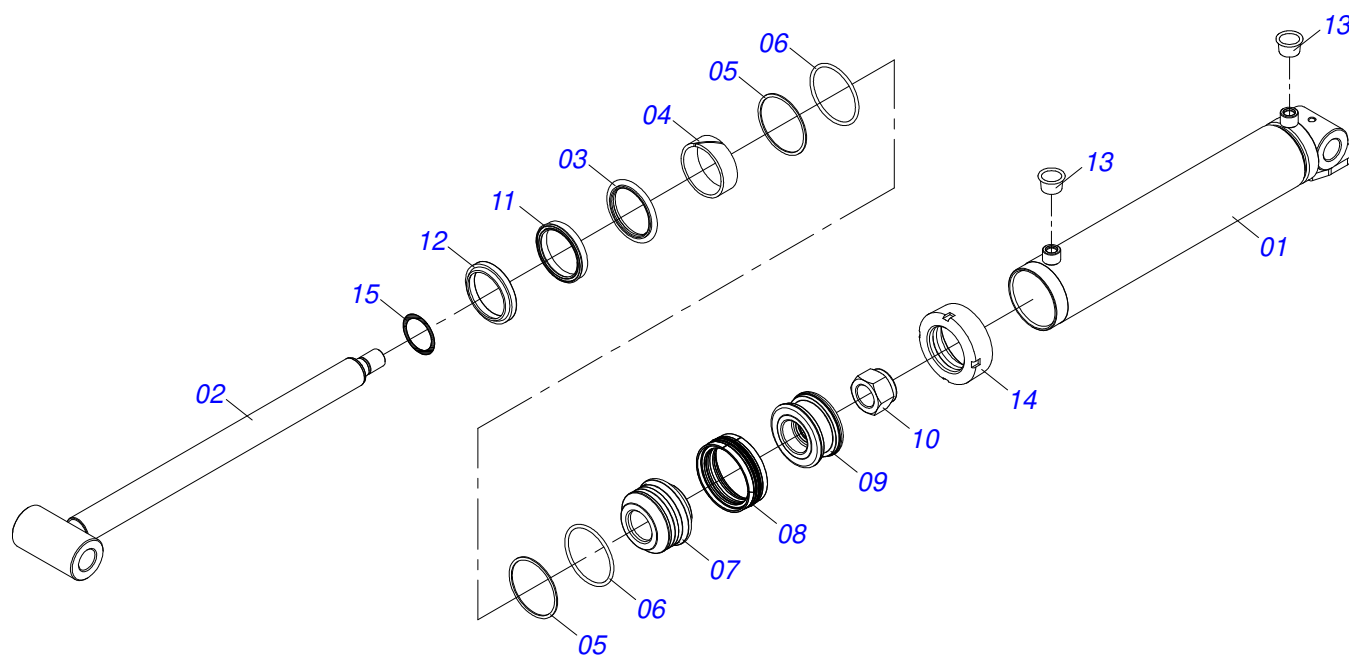
PIVOT ARM ASSY



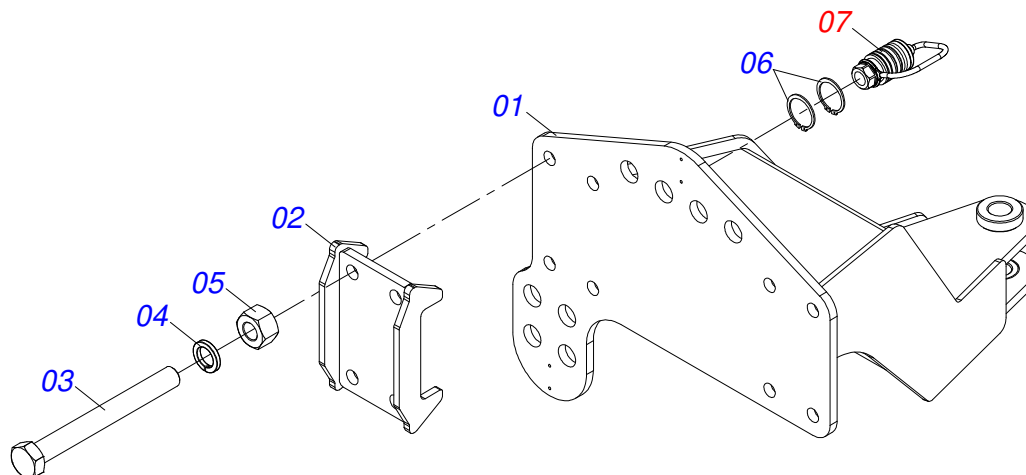
Item	Code	Description	See page	QT
001	0541016749	LOCK AXLE PIVOT		01
002	0541019258	1.1/4 ADJUSTING NUT		01
003	0511066497	LOK PIVOT		01
004	0511067209	FRONT DRIVER ARM		01



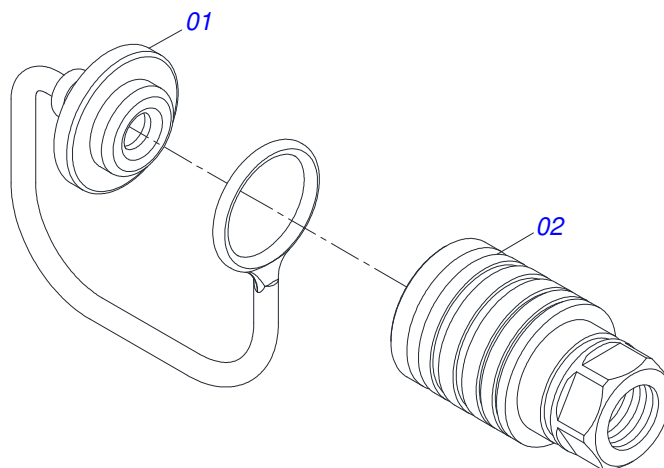
Item	Code	Description	See page	QT
001	0541016749	LOCK AXLE PIVOT		01
002	0541019258	1.1/4 ADJUSTING NUT		01
003	0511066497	LOK PIVOT		01
004	0511067210	DRIVER ARM		01



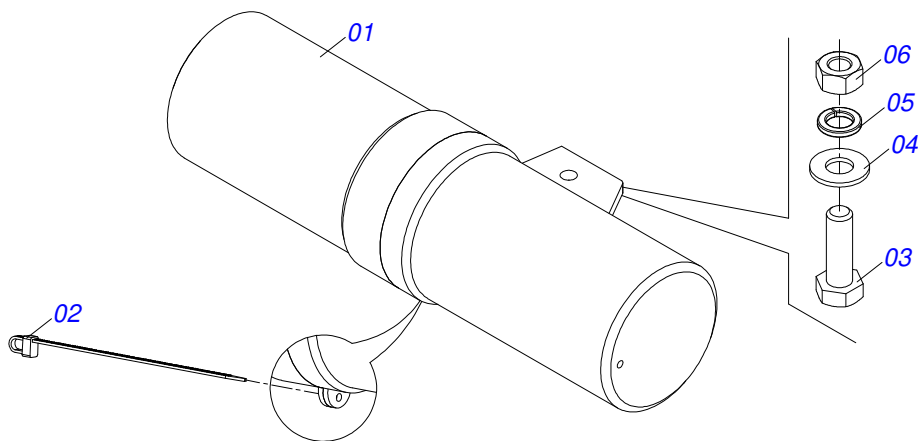
Item	Code	Description	See page	QT
01	0521066447	101,60 X 654,50 X 38,40 CYLINDER CASE		01
02	0521061439	50,80 X 751,50 X 38,40 TURNBUCKLE		01
03	0503018024	RING BS		01
04	0503018025	RING GUIDE		01
05	0503011061	8-342 BACK-UP RING		02
06	0503010338	2-342 N 3006-9B O'RING		02
07	0502012821	50.80 X 101.60 RING SUPPORT		01
08	0503015633	SELEMASTER SEALING		01
09	0502012820	50.80 X 101.60 PISTON		01
10	0503010817	1.1/4" SELF LOCKING NUT		01
11	0503018026	1870-2000-375 B GASKET		01
12	0503010039	D-2000 SCRAPER RING		01
13	0503030384	CON PLUG N-001		02
14	0502010017	4" HEAD		01
15	0503018029	2-217 O'RING		01
16	0511034303	HYDRAULIC CYLINDER REPAIR KIT (0511057940)		01



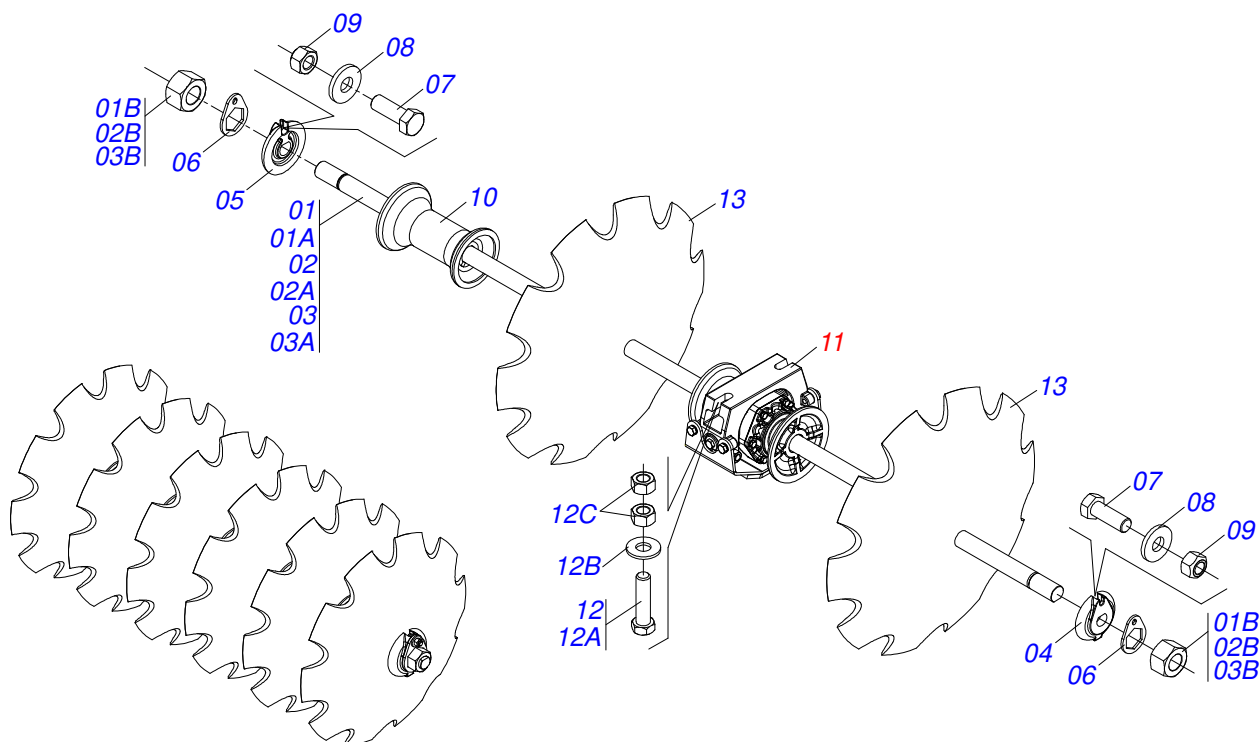
Item	Code	Description	See page	QT
01	0521065966	REAR HITCH		01
02	0521065965	FIXER CLAW		02
03	0501010064	1" X 9" BOLT		08
04	0503010012	1" SPRING WASHER		08
05	0501010059	1.5/8 NUT		08
06	0503010217	501040 CLAMPING RING (FOR AXLE)		04
07	0501053835	FEMALE QUICK COUPLER	16	02



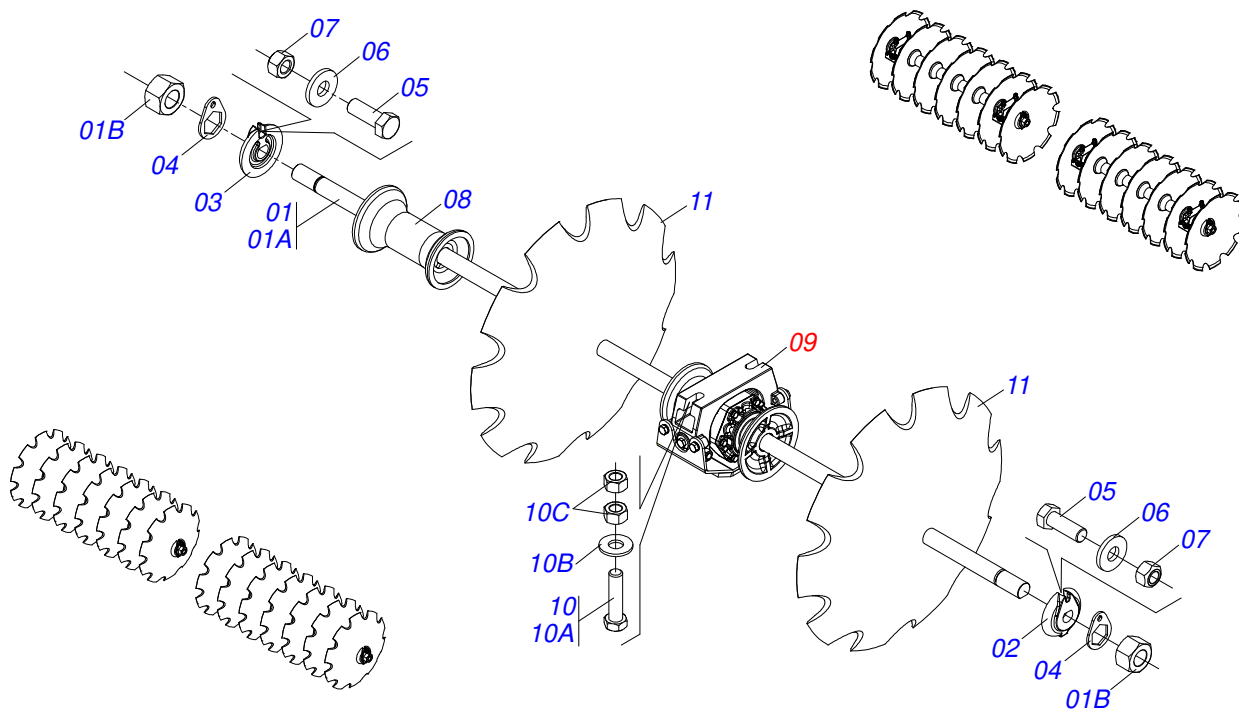
Item	Code	Description	See page	QT
01	0503011883	QUICK CONNECTION COVER		01
02	0503011628	FEMALE QUICK COUPLER		01



Item	Code	Description	See page	QT
01	0503060100	OPERATOR'S MANUAL STORAGE TUBE		01
02	0503010267	NYLON CLAMP		01
03	0503010363	5/16" X 1" BOLT		01
04	0501010694	FLAT WASHER		01
05	0503010179	LOCK WASHER		01
06	0503010337	5/16" NUT		01

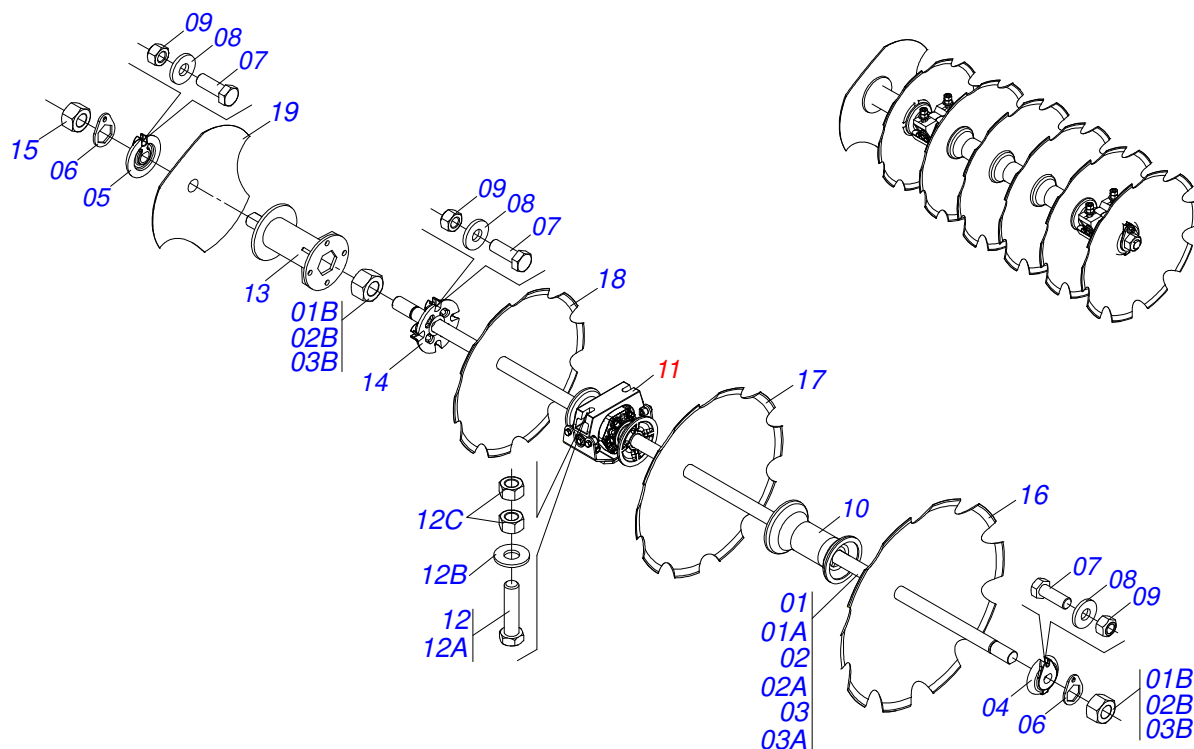


Item	Code	Description	See page	048	052	056
01	0501040361	1.3/4 X 1520 AXLE WITH NUT		002	000	000
01A	0501011424	1,3/4" X 1520 AXLE		002	000	000
01B	0501010333	1.3/4" NUT		004	000	000
02	0501040362	1.3/4" X 1790 AXLE WITH NUTS		000	002	000
02A	0501011422	1.3/4 X 1790 AXLE		000	002	000
02B	0501010333	1.3/4" NUT		000	004	000
03	0501040358	1,3/4" X 2060 AXLE WITH NUT		000	000	002
03A	0501010333	1.3/4" NUT		000	000	002
03B	0501011436	1,3/4" X 2060 AXLE		000	000	004
04	0502012222	1-3/4" EXTERNAL AXLE WASHER		002	002	002
05	0502012221	1-1/2" INNER AXLE WASHER		002	002	002
06	0511014339	1-5/8" 2.8" NUT LOCK		004	004	004
07	0503010232	5/8" X 1.3/4" BOLT		004	004	004
08	0501012140	FLAT WASHER		004	004	004
09	0503012412	5/8 UNC SELF LOCKING NUT		004	004	004
10	0502010400	263 SPACER		006	008	010
11	0511048362	BEARING	22	004	004	004
12	0521047424	SCREW ASSY		008	008	008
12A	0501010500	3/4"X3"BOLT		008	008	008
12B	0501010322	FLAT WASHER		008	008	008
12C	0503012183	SNC 3/4" ZIN 1K03097 NUT		016	016	016
13	0602040146	DR30X7,5 C84AF02FR1.13/16 D079 10RE		012	014	016



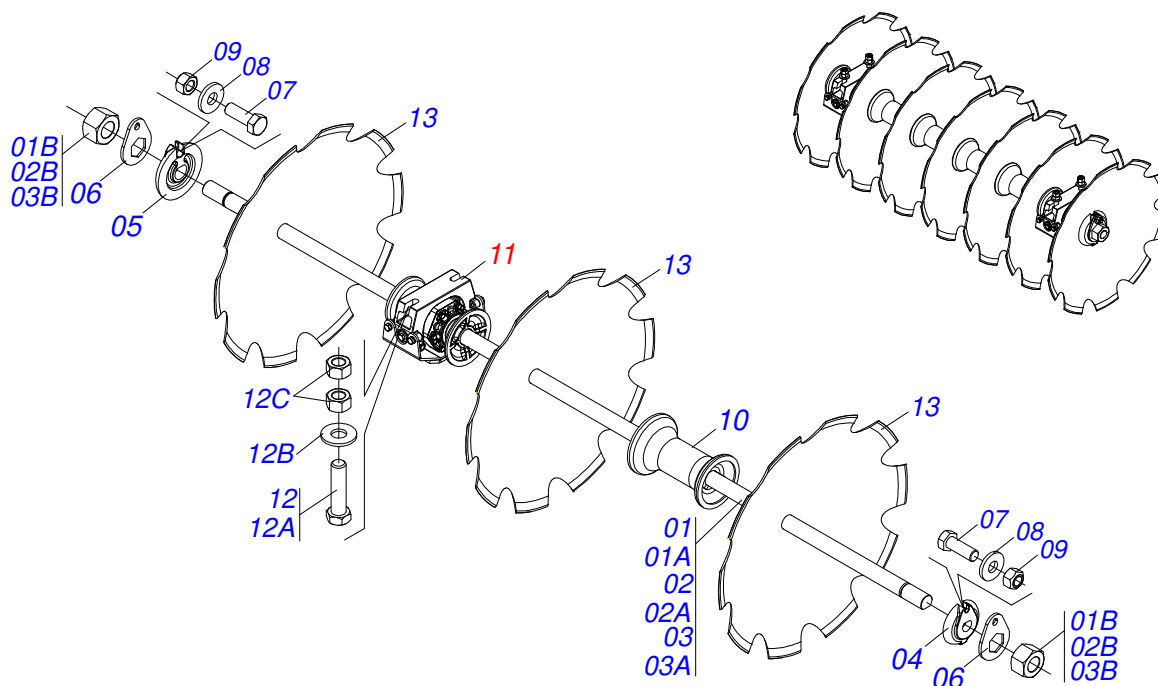
Item	Code	Description	See page	QT
01	0501040361	1.3/4 X 1520 AXLE WITH NUT		04
01A	0501011424	1,3/4" X 1520 AXLE		04
01B	0501010333	1.3/4" NUT		08
02	0502012222	1-3/4" EXTERNAL AXLE WASHER		04
03	0502012221	1-1/2" INNER AXLE WASHER		04
04	0511014339	1-5/8" 2.8" NUT LOCK		08
05	0503010232	5/8" X 1.3/4" BOLT		08
06	0501012140	FLAT WASHER		08
07	0503012412	5/8 UNC SELF LOCKING NUT		08
08	0502010400	263 SPACER		12
09	0511048362	BEARING	22	08
10	0521047424	SCREW ASSY		16
10A	0501010500	3/4"X3"BOLT		16
10B	0501010322	FLAT WASHER		16
10C	0503012183	SNC 3/4" ZIN 1K03097 NUT		32
11	0602040146	DR30X7,5 C84AF02FR1.13/16 D079 10RE		24

RIGHT SIDE REAR DISC SECTION



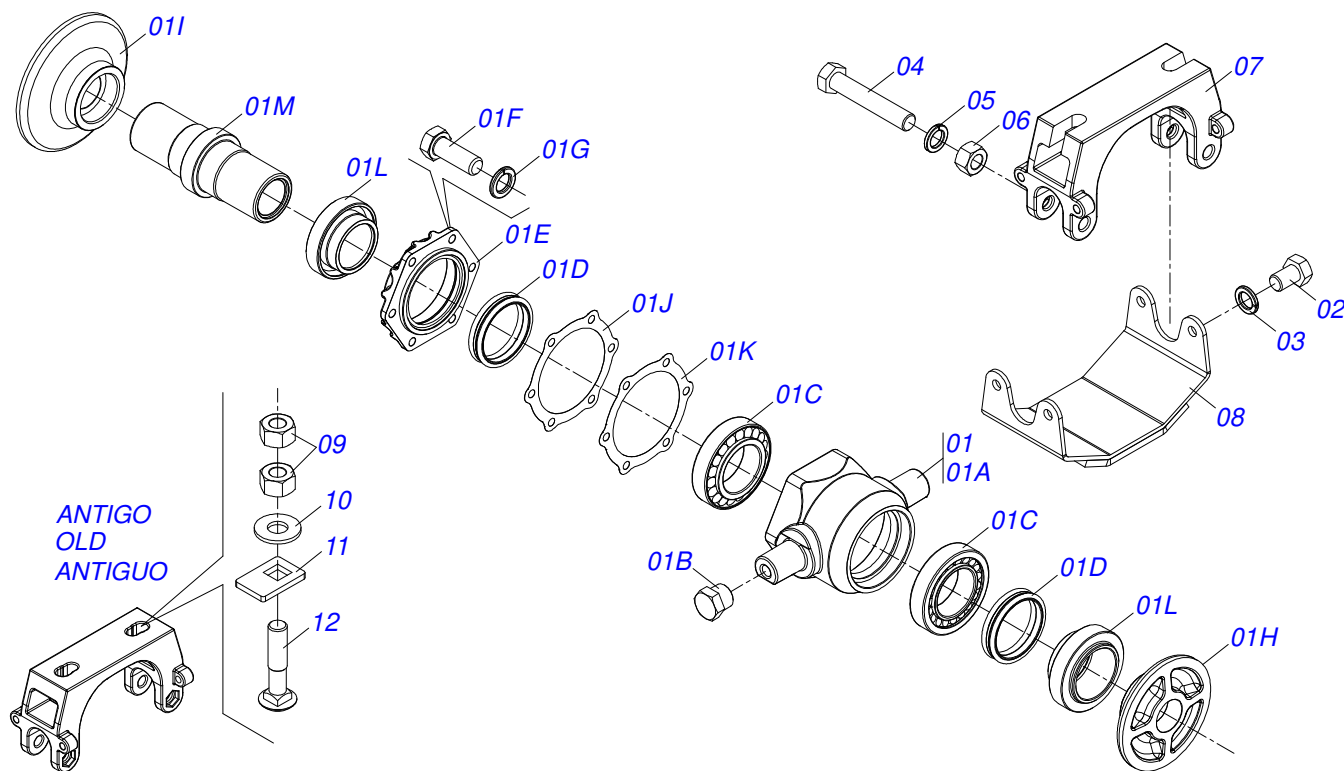
Item	Code	Description	See page	048	052	056
01	0501040361	1.3/4 X 1520 AXLE WITH NUT		001	000	000
01A	0501011424	1,3/4" X 1520 AXLE		001	000	000
01B	0501010333	1.3/4" NUT		002	000	000
02	0501040362	1.3/4" X 1790 AXLE WITH NUTS		000	001	000
02A	0501011422	1.3/4 X 1790 AXLE		000	001	000
02B	0501010333	1.3/4" NUT		000	002	000
03	0501040358	1,3/4" X 2060 AXLE WITH NUT		000	000	001
03A	0501010333	1.3/4" NUT		000	000	001
03B	0501011436	1,3/4" X 2060 AXLE		000	000	002
04	0502012221	1-1/2" INNER AXLE WASHER		001	001	001
05	0502012222	1-3/4" EXTERNAL AXLE WASHER		001	001	001
06	0511014339	1-5/8" 2.8" NUT LOCK		002	002	002
07	0503010232	5/8" X 1.3/4" BOLT		006	006	006
08	0501012140	FLAT WASHER		006	006	006
09	0503012412	5/8 UNC SELF LOCKING NUT		006	006	006
10	0502010400	263 SPACER		003	004	005
11	0511048362	BEARING	22	002	002	002
12	0521047424	SCREW ASSY		004	004	004
12A	0501010500	3/4"X3"BOLT		004	004	004
12B	0501010322	FLAT WASHER		004	004	004
12C	0503012183	SNC 3/4" ZIN 1K03097 NUT		008	008	008
13	0521064053	SPACING 227 AXLE 1.3/4		001	001	001
14	0502012378	1-3/4"EXTERNAL AXLE WASHER		001	001	001
15	0501010333	1.3/4" NUT		001	001	001
16	0602040146	DR30X7,5 C84AF02FR1.13/16 D079 10RE		004	005	006
17	0602037194	DR28X7,5 C102AF02FR1.13/16 10R		001	001	001
18	0602033220	DR26X6 C101AF02FR1.13/16 10REC TATU		001	001	001
19	0602030447	DR24X6 C72AF02FR1.13/16" D079 03REC		001	001	001

LEFT SIDE REAR DISC SECTION

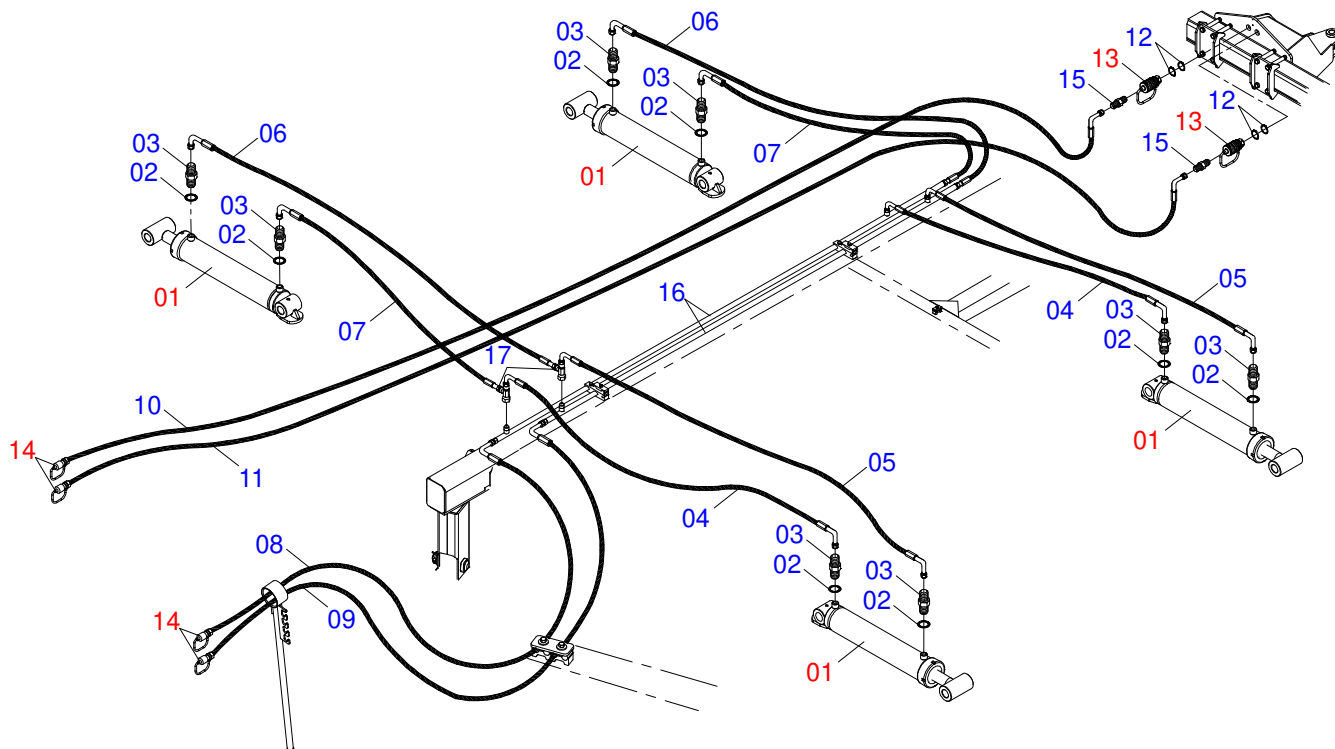


Item	Code	Description	See page	048	052	056
01	0501040361	1.3/4 X 1520 AXLE WITH NUT		001	000	000
01A	0501011424	1,3/4" X 1520 AXLE		001	000	000
01B	0501010333	1.3/4" NUT		002	000	000
02	0501040362	1.3/4" X 1790 AXLE WITH NUTS		000	001	000
02A	0501011422	1.3/4 X 1790 AXLE		000	001	000
02B	0501010333	1.3/4" NUT		000	002	000
03	0501040358	1,3/4" X 2060 AXLE WITH NUT		000	000	001
03A	0501010333	1.3/4" NUT		000	000	001
03B	0501011436	1,3/4" X 2060 AXLE		000	000	002
04	0502012221	1-1/2" INNER AXLE WASHER		001	001	001
05	0502012222	1-3/4" EXTERNAL AXLE WASHER		001	001	001
06	0511014339	1-5/8" 2.8" NUT LOCK		002	002	002
07	0503010232	5/8" X 1.3/4" BOLT		002	002	002
08	0501012140	FLAT WASHER		002	002	002
09	0503012412	5/8 UNC SELF LOCKING NUT		002	002	002
10	0502010400	263 SPACER		003	004	005
11	0511048362	BEARING	22	002	002	002
12	0521047424	SCREW ASSY		004	004	004
12A	0501010500	3/4"X3"BOLT		004	004	004
12B	0501010322	FLAT WASHER		004	004	004
12C	0503012183	SNC 3/4" ZIN 1K03097 NUT		008	008	008
13	0602040146	DR30X7,5 C84AF02FR1.13/16 D079 10RE		006	007	008

BEARING

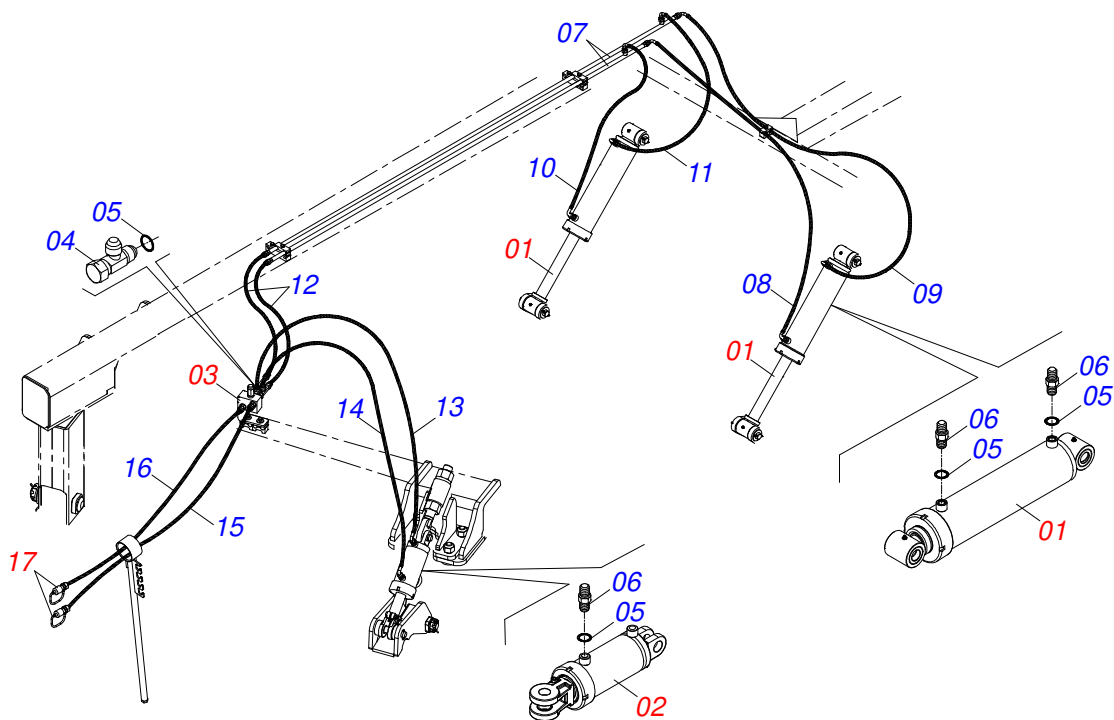


Item	Code	Description	See page	QT
01	0501059685	BEARING		01
01A	0502012343	AGRICULTURAL HOUSING BEARING		01
01B	0503010856	OIL PLUG		02
01C	0503012819	ROLLER BEARING		02
01D	0503030027	DUO-CONE SEAL		02
01E	0502020161	WEAR PLATE BEARING		01
01F	0503010237	3/8" X 1" BOLT		06
01G	0503011443	3/8" SPRING WASHER		06
01H	0502040142	INNER FLANGE		01
01I	0502040141	OUTER FLANGE		01
01J	0503030030	5.6" X 4.4" X 0.01" GASKET		01
01K	0503030685	5.5" X 4.4" X 0.003" GASKET		01
01L	0502010823	SEAL RETAINER		02
01M	0502010824	AXLE CM/DM		01
02	0503011401	1/2" X 3/4" BOLT		04
03	0503010019	1/2" SPRING WASHER		04
04	0503010762	SCREW 5/8 UNC X 3.1/2 CS G.5 ZN		02
05	0503010027	5/8" SPRING WASHER		02
06	0503010013	5/8" NUT		02
07	0502012626	CENTER OSCILLATING BEARING SUPPORT		01
08	0521067341	BEARING SWING COVER WITH ENHANCED		01
09	0503010014	3/4" NUT		04
10	0501010322	FLAT WASHER		02
11	0541014269	3/4 SQUARE WASHER		02
12	0501010950	3/4" X 3-1/2" BOLT		02

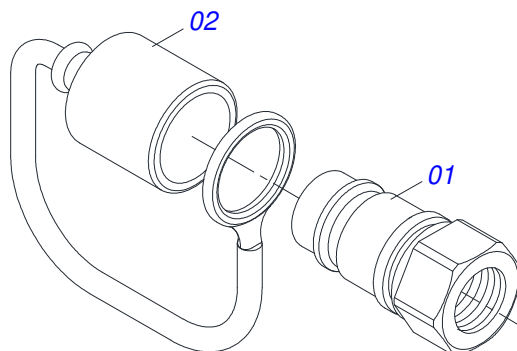


Item	Code	Description	See page	QT
01	0511057940	HYDRAULIC CILINDER	14	04
02	0503010190	2-114 N 3006-9B O'RING		08
03	0501010617	3/4" NIPPLE		08
04	0501081644	HOSE 3/8 X 3350 TC-TC USAP		02
05	0501081253	HOSE 3/8 X 3950 TC-TC		02
06	0501081780	HOSE 3/8 X 2050 TR-TC		02
07	0501080436	3/8 X 1600 TR-TC HOSE		02
08	0521052945	HOSE 3/8 X 6100 TC-TM BROWN / RED		01
09	0521052944	HOSE 3/8 X 6100 TC-TM BROWN/BLUE		01
10	0521052946	HOSE 3/8 X 11500 TC-TM GRAY/RED		01
11	0521052947	HOSE 3/8 X 11500 TC-TM GRAY/BLUE		01
12	0503010217	501040 CLAMPING RING (FOR AXLE)		04
13	0501053835	FEMALE QUICK COUPLER	16	02
14	0501053834	MALE QUICK COUPLER	25	04
15	0571015342	3/4" NIPPLE		02
16	0521066126	DISTRIBUTOR OIL TUBE		02
17	0503011968	3/4" 8R6X-S T ADAPTER WITH SWIVEL NUT		02

HYDRAULIC CIRCUIT OF THE WHEELS WITH VALVE



Item	Code	Description	See page	QT
01	0521051832	HYDRAULIC CYLINDER 53,98 X 114,30 X 654 X 346	3	02
02	0521046001	50,80 X 101,60 X 410 X 107 HYDRAULIC CILINDER	8	01
03	0511059196	VALVE ASSY	10	01
04	0503011968	3/4" 8R6X-S T ADAPTER WITH SWIVEL NUT		02
05	0503010190	2-114 N 3006-9B O'RING		08
06	0501010617	3/4" NIPPLE		06
07	0521066937	DUCT DISTRIBUTOR OF OIL		02
08	0501080370	TC-TC HOSE ASSY		01
09	0501080644	3/8" X 78.7" TC-TC HOSE ASSY		01
10	0501080065	3/8 X 1200 TC-TC HOSE		01
11	0501082058	HOSE 3/8 X 800 TC-TC		01
12	0501080106	TR-TR HOSE ASSY		02
13	0501080302	3/8 X 1400 TR-TC HOSE		01
14	0501080436	3/8 X 1600 TR-TC HOSE		01
15	0521052496	HOSE 3/8 X 5500 TR-TM BLACK/BLUE		01
16	0521052495	HOSE 3/8 X 5500 TR-TM BLACK/RED		01
17	0501053834	MALE QUICK COUPLER	25	02



Item	Code	Description	See page	QT
01	0503011627	MALE QUICK COUPLER AGR 1/2 NPT		01
02	0503011882	MALE QUICK COUPLER CAP		01



MARCHESAN

Technical Publications | Elaboration and Revision

ALESSANDRA PATRICIA KAWAHARA CARRILI

www.marchesan.com.br

