

PARTS CATALOG

HINGE OFFSET DISK HARROW

GAPCR HD 8013

Code: 0501091752



Series: S-0705

Review: SETEMBRO/2016

**ORIGINAL PARTS
TATU**



PRODUCTS

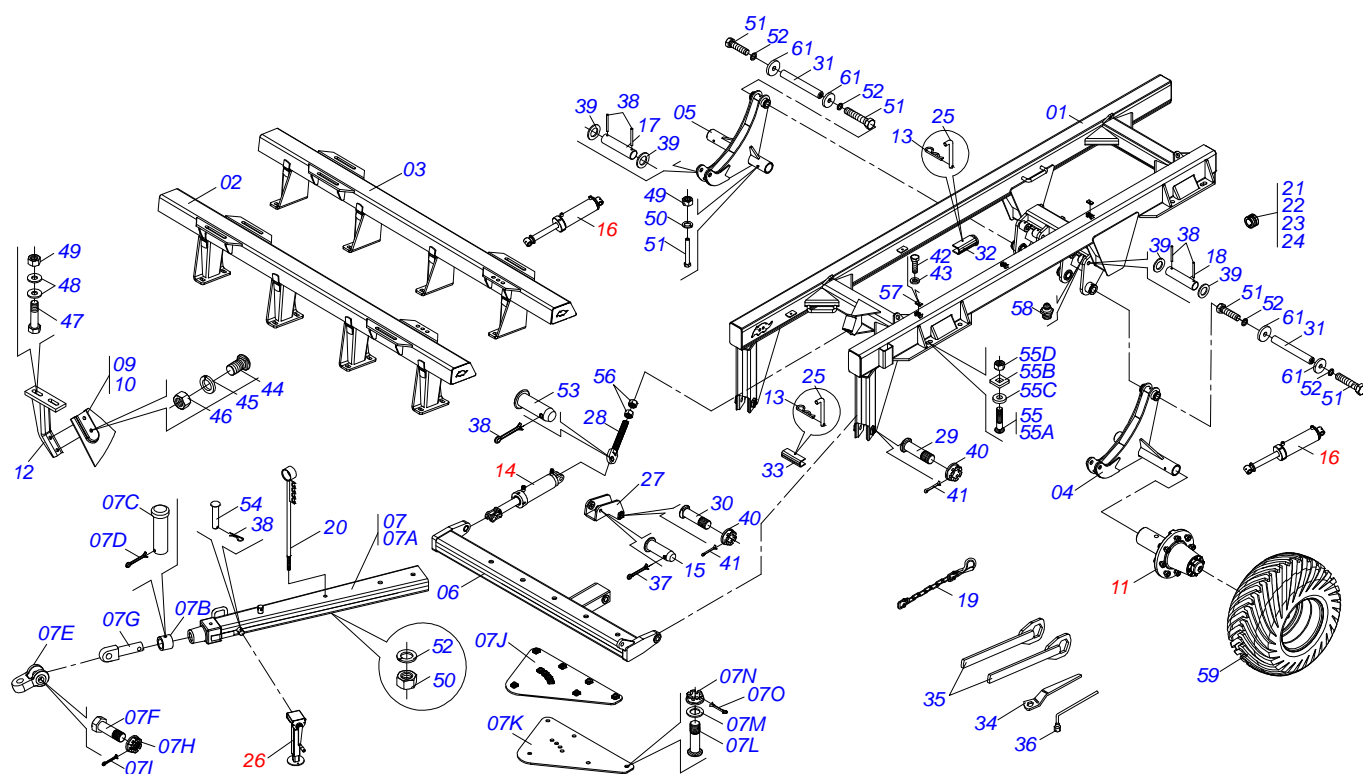
Code	Description
0102060218	GAPCR-HD 8013 25X36X9 DR DM S-0814
0102060213	GAPCR-HD 8013 29X36X9DM S/PN S-0705
0102060229	GAPCR-HD 8013 31X36X9 DR C/ET S/PN S-0915
0102060194	GAPCR-HD 8013 35X34X9 DM S-0705
0102060219	GAPCR-HD 8013 39X36X9 DR DM S-0814
0102060220	GAPCR-HD 8013 41X36X9 DR DM S-0814
0102060221	GAPCR-HD 8013 45X36X9 DR DM S-0814
0102060222	GAPCR-HD 8013 33X32X9 DM S-0705
0102060197	GAPCR-HD 8013 37X36X9 DM S-0705

ATTENTION: **IMPORTANT**

MARCHESAN S/A RESERVES THE RIGHT AT ANY TIME TO MAKE IMPROVEMENTS IN THE DESIGN, MATERIAL OR SPECIFICATIONS OF MACHINERY, EQUIPMENT OR PARTS WITHOUT THEREBY BECOMING LIABLE TO MAKE SIMILAR CHANGES IN MACHINERY, EQUIPMENT OR PARTS PREVIOUSLY SOLD.

INDEX

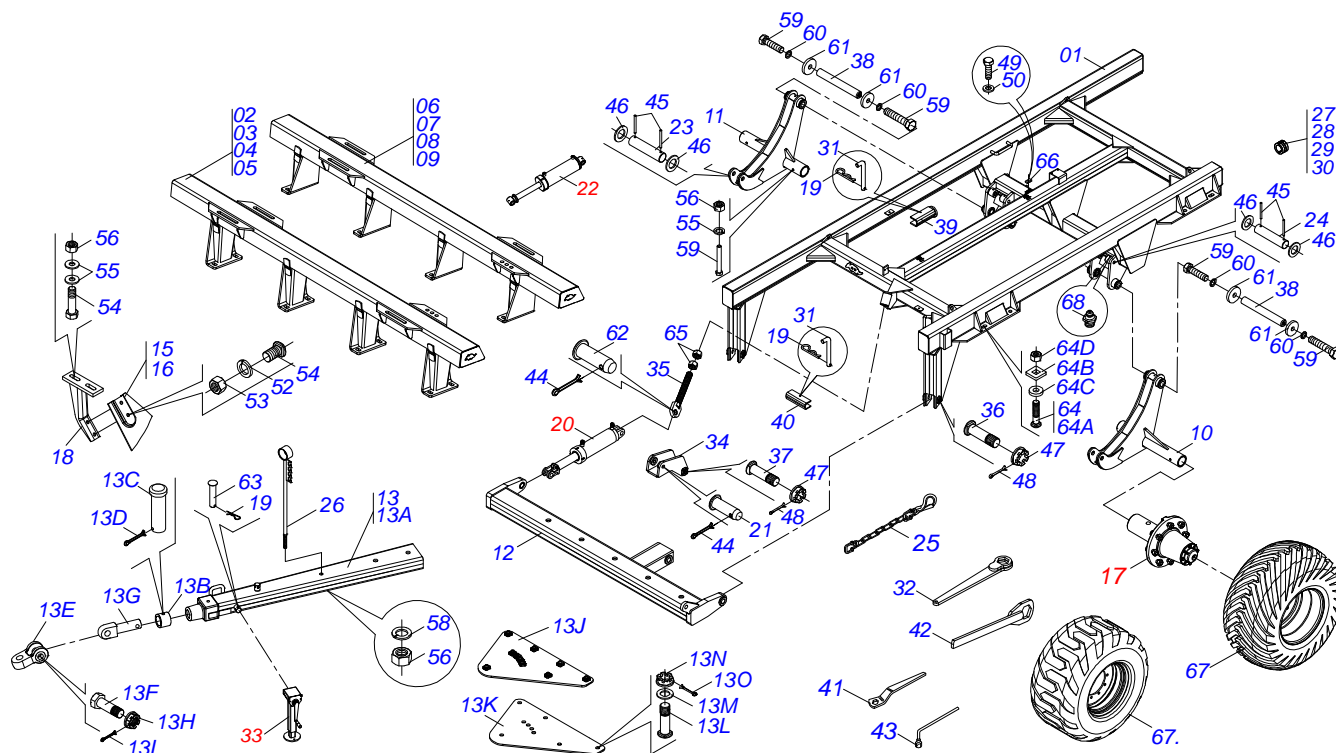
0909092043	GAPCR- HD 25D	1
0909092053	GAPCR-HD 29/33/35/37D	2
0909092052	GAPCR-HD 8013 31D C/ET	3
0909092054	GAPCR-HD 39/41/45 D	4
0511048619	HYDRAULIC CYLINDER	5
0511058521	HYDRAULIC CYLINDER	6
0511058419	HYDRAULIC CYLINDER	7
0511042290	13" X 2-1/2" OIL BATH BEARING	8
0511048088	DRAWBAR JACK	9
0909092055	HYDRAULIC CIRCUIT	10
0909092061	GANG DISC	11



Item	Code	Description	QT
01	0511067822	FRAME GASPCR-HD 9017/EHD 10020	01
02	0521065444	FRONT FRAME GAPCR-HD 8013 25D	01
03	0521065445	REAR FRAME GAPCR-HD 8013 25D	01
04	0511066611	LEFT CARRYING-WHEELS SUPPORT	01
05	0511066741	RIGHT CARRYING-WHEELS SUPPORT	01
06	0511067827	1100 OFFSET BAR	01
07	0511045200	DRAWBAR ASSY	01
07A	0511064669	DRAWBAR ASSY	01
07B	0502040263	LOCK SLEEVE	01
07C	0561017306	COUPLING SHAFT	01
07D	0503010523	1/4" X 2" COTTERPIN	01
07E	0502040293	YH-90 CLEVIS	01
07F	0511067199	2" BOLT	01
07G	0502040264	DRAWBOLT	01
07H	0502040558	2" CASTLE NUT	01
07I	0503010074	3/8 X 0,15" COTTERPIN	01
07J	0511064659	UPPER PLATE	01
07K	0511064658	LOWER PLATE	01
07L	0521011880	37,5 X 242 COUPLING SHAFT	06
07M	0501012916	FLAT WASHER 38,50 X 66 X 4,75 ZN	06
07N	0501011301	1.1/2" CASTLE NUT	06
07O	0503010010	1/4" X 2.1/2" COTTERPIN	06
09	0521013678	FRONT CLEANER	12
10	0521013679	REAR CLEANER	03
11	0501056467	STUB SHAFT & HUB ASSY	01
12	0511064771	FRONT SCRAPER SUPPORT	25
13	0503030285	HAIR PIN	04
14	0511058419	HYDRAULIC CYLINDER	01
15	0531019171	1.25" X 7" COUPLING SHAFT	01
16	0511048619	HYDRAULIC CYLINDER	02
17	0531018101	1.2" X 6.3" PIVOT SHAFT	02
18	0531018105	1.2" X 11.8" PIVOT SHAFT	02
19	0503013150	1300 X 3/8 CHAIN	01



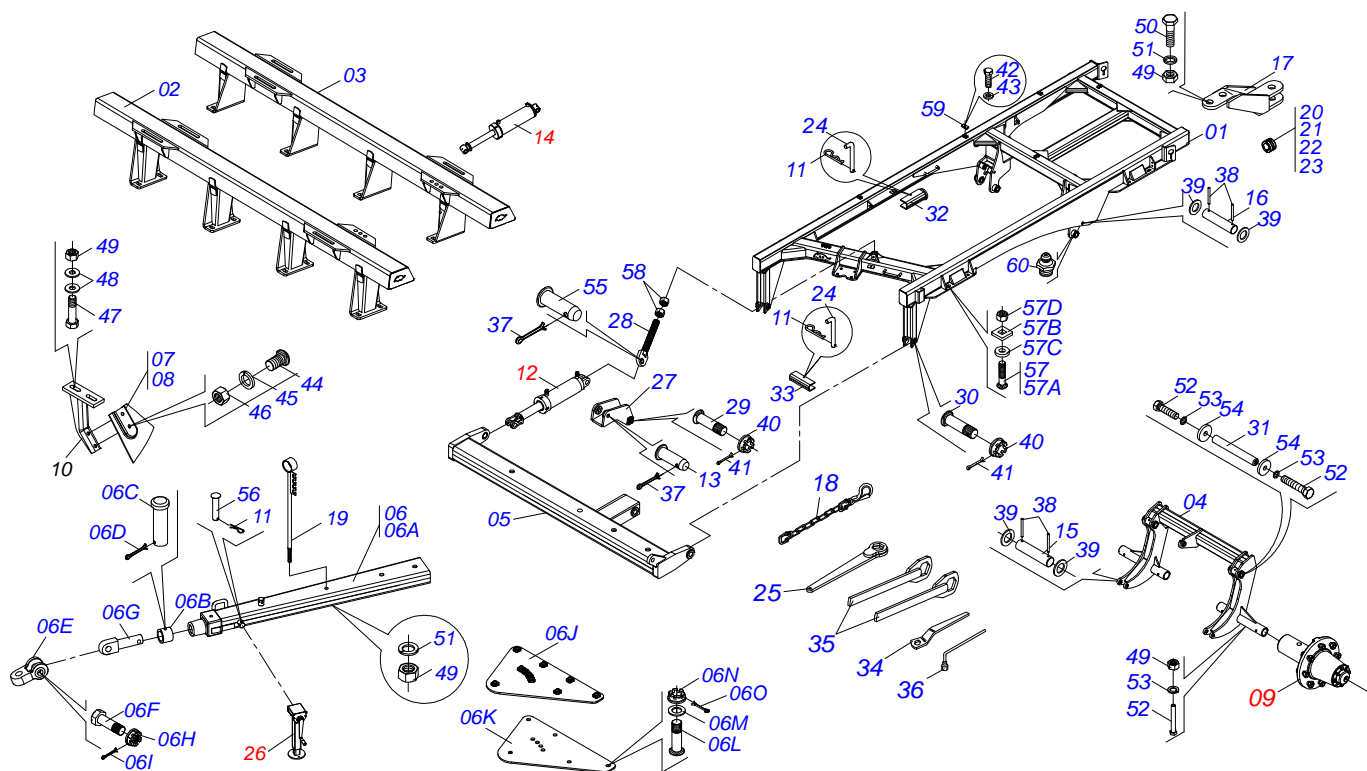
Item	Code	Description	QT
20	0521062849	HOSE HOLDER ASSY	01
21	0501047895	0.98" ROD STOP	09
22	0501047885	1.18" ROD STOP	09
23	0501047887	1.57" ROD STOP	03
24	0501047886	1.38" ROD STOP	02
25	0541016844	FIXER LOCK	03
26	0511048088	DRAWBAR JACK	01
27	0511064656	DRAWBAR PIVOT	01
28	0511064433	REGULATOR SPINDLE 1-3/4	01
29	0541014119	COUPLING SHAFT	02
30	0521012053	1.5" X 8.6" AXLE	01
31	0531018062	16" COUPLING SHAFT	02
32	0561016693	TRANSPORT LOCK	02
33	0551010332	TRANSPORT LOCK	01
34	0501011432	1-1/2" AND 1-5/8" CABLE FLAT WRENCH	01
35	0501061044	2-1/8" AND 2-1/2" CABLE FLAT WRENCH	01
36	0503016137	1-1/4" WRENCH CABLE CYLINDRICAL	01
37	0503010523	1/4" X 2" COTTERPIN	06
38	0503011877	0.3" X 2.4" SPRING PIN	08
39	0501017779	FLAT WASHER	08
40	0501011301	1.1/2" CASTLE NUT	03
41	0503010010	1/4" X 2.1/2" COTTERPIN	07
42	0503012555	7/16" X 2" BOLT	04
43	0503010180	7/16" SPRING WASHER	04
44	0503012195	5/8" NUT	50
45	0503010027	FLAT WASHER 5/8 ZN 1K01574	70
46	0503010013	NUT 5/8 NC ZN 1K03087	70
47	0503010232	BOLT 5/8 UNC X 1.3/4 C S G.5 ZN	02
48	0541010763	FLAT WASHER	60
49	0503010014	3/4" NUT	04
50	0503010023	3/4" SPRING WASHER	05
51	0503011250	1" X 2" BOLT	04
52	0503010012	1" SPRING WASHER	04
53	0521012538	COUPLING SHAFT	01
54	0541011345	16 X 68 PLUGER	01
55	0521040349	1-1/4" X 5.3/4" BOLT	08
55A	0501010954	1-1/4" X 5-3/4" BOLT	08
55B	0571010449	LOCK BOLT	08
55C	0571010448	SLEEVE 32,50 X 75 X 16	08
55D	0501010087	1.1/4" UNC NUT	08
56	0501010333	1.3/4" NUT	02
57	0502012702	BODY SUPPORT CLAMP	03
58	0503010002	GREASE FITTING	01
59	0503060102	WHEEL AND TIRE ASSY 400/60 - 14 L	02



Item	Code	Description	29 33 35 37
01	0511067123	FRAME GASPCR EHD 10020 S-0705	01 01 01 01
02	0521062732	FRONT FRAME	01 00 00 00
03	0521062726	FRONT FRAME	00 01 00 00
04	0521062724	FRONT FRAME	00 00 01 00
05	0511066623	FRONT FRAME	00 00 00 01
06	0521062733	REAR FRAME	01 00 00 00
07	0521062727	REAR FRAME	00 01 00 00
08	0521062725	REAR FRAME	00 00 01 00
09	0511066624	REAR FRAME	00 00 00 01
10	0511066611	LEFT CARRYING-WHEELS SUPPORT	01 01 01 01
11	0511066741	RIGHT CARRYING-WHEELS SUPPORT	01 01 01 01
12	0511066580	2135 OFFSET BAR	01 01 01 01
13	0511041592	DRAWBAR ASSY	01 01 01 01
13A	0511064669	DRAWBAR ASSY	01 01 01 01
13B	0502040263	LOCK SLEEVE	01 01 01 01
13C	0561017306	COUPLING SHAFT	01 01 01 01
13D	0503010523	1/4" X 2" COTTERPIN	01 01 01 01
13E	0502040293	YH-90 CLEVIS	01 01 01 01
13F	0511067199	2" BOLT	01 01 01 01
13G	0502040264	DRAWBOLT	01 01 01 01
13H	0502040558	2" CASTLE NUT	01 01 01 01
13I	0503010074	3/8 X 0,15" COTTERPIN	01 01 01 01
13J	0511064659	UPPER PLATE	01 01 01 01
13K	0511064658	LOWER PLATE	01 01 01 01
13L	0521011880	37,5 X 242 COUPLING SHAFT	06 06 06 06
13M	0501012916	FLAT WASHER 38,50 X 66 X 4,75 ZN	06 06 06 06
13N	0501011301	1.1/2" CASTLE NUT	06 06 06 06
13O	0503010010	1/4" X 2.1/2" COTTERPIN	06 06 06 06
15	0521013678	FRONT CLEANER	14 16 17 18
16	0521013679	REAR CLEANER	15 17 18 19
17	0501056467	STUB SHAFT & HUB ASSY	01 01 01 01
18	0511064771	FRONT SCRAPER SUPPORT	29 33 35 37
19	0503030285	HAIR PIN	04 04 04 04



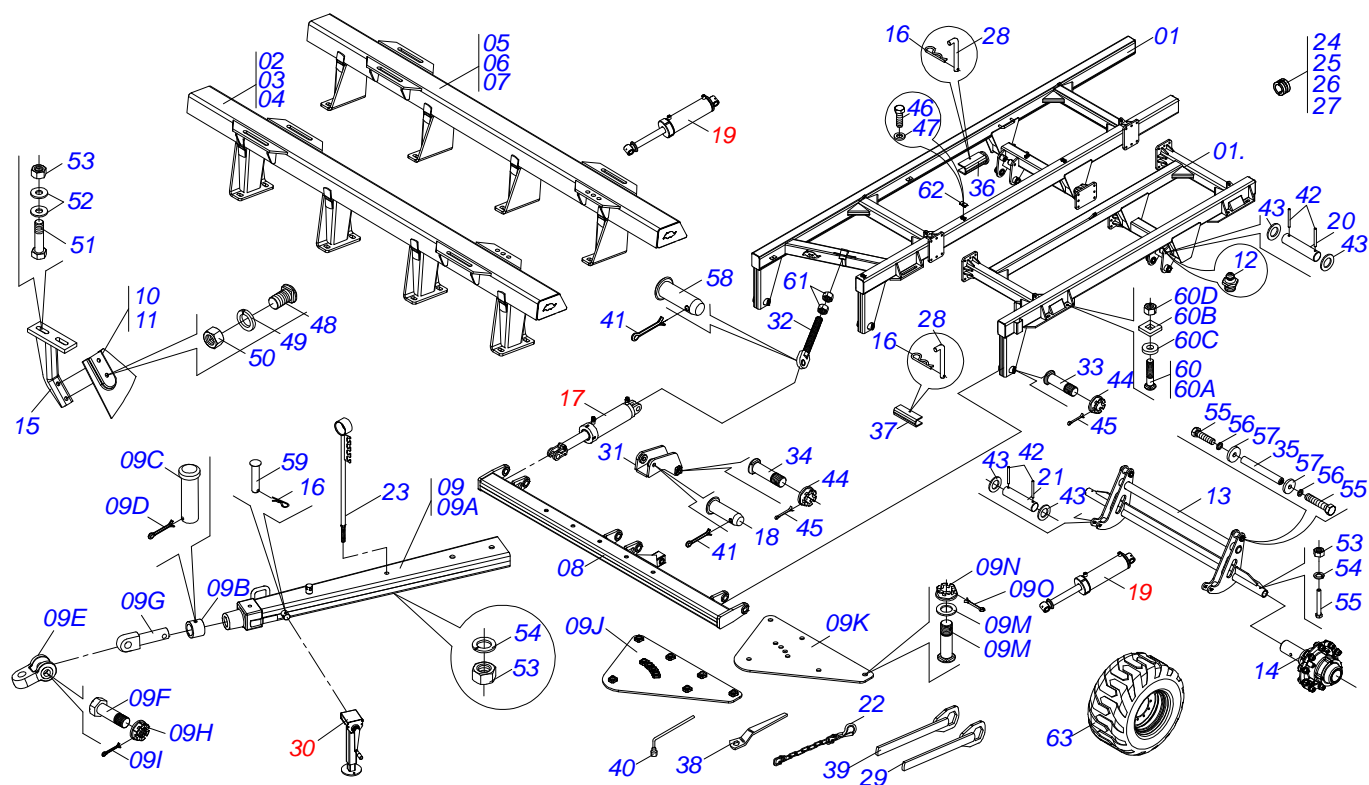
Item	Code	Description	29	33	35	37
20	0511058419	HYDRAULIC CYLINDER	01	01	01	01
21	0531019171	1.25" X 7" COUPLING SHAFT	01	01	01	01
22	0511048619	HYDRAULIC CYLINDER	02	02	02	02
23	0531018101	1.2" X 6.3" PIVOT SHAFT	02	02	02	02
24	0531018105	1.2" X 11.8" PIVOT SHAFT	02	02	02	02
25	0503013150	1300 X 3/8 CHAIN	01	01	01	01
26	0521062849	HOSE HOLDER ASSY	01	01	01	01
27	0501047895	0.98" ROD STOP	09	04	04	04
28	0501047885	1.18" ROD STOP	09	02	02	02
29	0501047887	1.57" ROD STOP	03	02	02	02
30	0501047886	1.38" ROD STOP	02	02	02	02
31	0541016844	FIXER LOCK	03	03	03	03
32	0521062858	1.1/4" WRENCH NUT	01	01	01	01
33	0511048088	DRAWBAR JACK	01	01	01	01
34	0511064656	DRAWBAR PIVOT	01	01	01	01
35	0511064433	REGULATOR SPINDLE 1-3/4	01	01	01	01
36	0541014119	COUPLING SHAFT	02	02	02	02
37	0521012053	1.5" X 8.6" AXLE	01	01	01	01
38	0531018062	16" COUPLING SHAFT	02	02	02	02
39	0561016693	TRANSPORT LOCK	02	02	02	02
40	0551010332	TRANSPORT LOCK	01	01	01	01
41	0501011432	1-1/2" AND 1-5/8" CABLE FLAT WRENCH	01	01	01	01
42	0501061044	2-1/8" AND 2-1/2" CABLE FLAT WRENCH	01	01	01	01
43	0503016137	1-1/4" WRENCH CABLE CYLINDRICAL	01	01	01	01
44	0503010523	1/4" X 2" COTTERPIN	06	06	06	06
45	0503011877	0.3" X 2.4" SPRING PIN	08	08	08	08
46	0501017779	FLAT WASHER	08	08	08	08
47	0501011301	1.1/2" CASTLE NUT	03	03	03	03
48	0503010010	1/4" X 2.1/2" COTTERPIN	07	07	07	07
49	0503012555	7/16" X 2" BOLT	04	04	04	04
50	0503010180	7/16" SPRING WASHER	04	04	04	04
51	0503012195	5/8" NUT	58	66	70	74
52	0503010027	FLAT WASHER 5/8 ZN 1K01574	78	86	90	94
53	0503010013	NUT 5/8 NC ZN 1K03087	78	86	90	94
54	0503010232	BOLT 5/8 UNC X 1.3/4 C S G.5 ZN	02	02	02	02
55	0541010763	FLAT WASHER	78	86	90	94
56	0503010014	3/4" NUT	04	04	04	04
58	0503010023	3/4" SPRING WASHER	05	05	05	05
59	0503011250	1" X 2" BOLT	04	04	04	04
60	0503010012	1" SPRING WASHER	04	04	04	04
61	0521011565	FLAT WASHER	04	04	04	04
62	0521012538	COUPLING SHAFT	01	01	01	01
63	0541011345	16 X 68 PLUGER	01	01	01	01
64	0521040349	1-1/4" X 5.3/4" BOLT	08	08	08	08
64A	0501010954	1-1/4" X 5-3/4" BOLT	08	08	08	08
64B	0571010449	LOCK BOLT	08	08	08	08
64C	0571010448	SLEEVE 32,50 X 75 X 16	08	08	08	08
64D	0501010087	1.1/4" UNC NUT	08	08	08	08
65	0501010333	1.3/4" NUT	02	02	02	02
66	0502012702	BODY SUPPORT CLAMP	03	03	03	03
67	0503060102	WHEEL AND TIRE ASSY 400/60 - 14 L	00	04	04	00
67.	0503062172	WHEEL AND TIRE ASSY	00	00	00	04
68	0503010002	GREASE FITTING	01	01	01	01



Item	Code	Description	QT
01	0521066702	FRAME	01
02	0511066577	FRONT FRAME	01
03	0511066578	REAR FRAME	01
04	0511066611	LEFT CARRYING-WHEELS SUPPORT	01
05	0521066699	OFFSET BAR	01
06	0511041592	DRAWBAR ASSY	01
06A	0511064669	DRAWBAR ASSY	01
06B	0502040263	LOCK SLEEVE	01
06C	0561017306	COUPLING SHAFT	01
06D	0503010523	1/4" X 2" COTTERPIN	01
06E	0502040293	YH-90 CLEVIS	01
06F	0511067199	2" BOLT	01
06G	0502040264	DRAWBOLT	01
06H	0502040558	2" CASTLE NUT	01
06I	0503010074	3/8 X 0,15" COTTERPIN	01
06J	0511064659	UPPER PLATE	01
06K	0511064658	LOWER PLATE	01
06L	0521011880	37,5 X 242 COUPLING SHAFT	06
06M	0501012916	FLAT WASHER 38,50 X 66 X 4,75 ZN	06
06N	0501011301	1.1/2" CASTLE NUT	06
06O	0503010010	1/4" X 2.1/2" COTTERPIN	06
07	0521013678	FRONT CLEANER	15
08	0521013679	REAR CLEANER	16
09	0501056467	STUB SHAFT & HUB ASSY	01
10	0511064771	FRONT SCRAPER SUPPORT	31
11	0503030285	HAIR PIN	04
12	0511058521	HYDRAULIC CYLINDER	01
13	0531019171	1.25" X 7" COUPLING SHAFT	01
14	0511048619	HYDRAULIC CYLINDER	02
15	0531018101	1.2" X 6.3" PIVOT SHAFT	02
16	0531018105	1.2" X 11.8" PIVOT SHAFT	02
17	0511064810	REAR HITCH	01
18	0503013150	1300 X 3/8 CHAIN	01



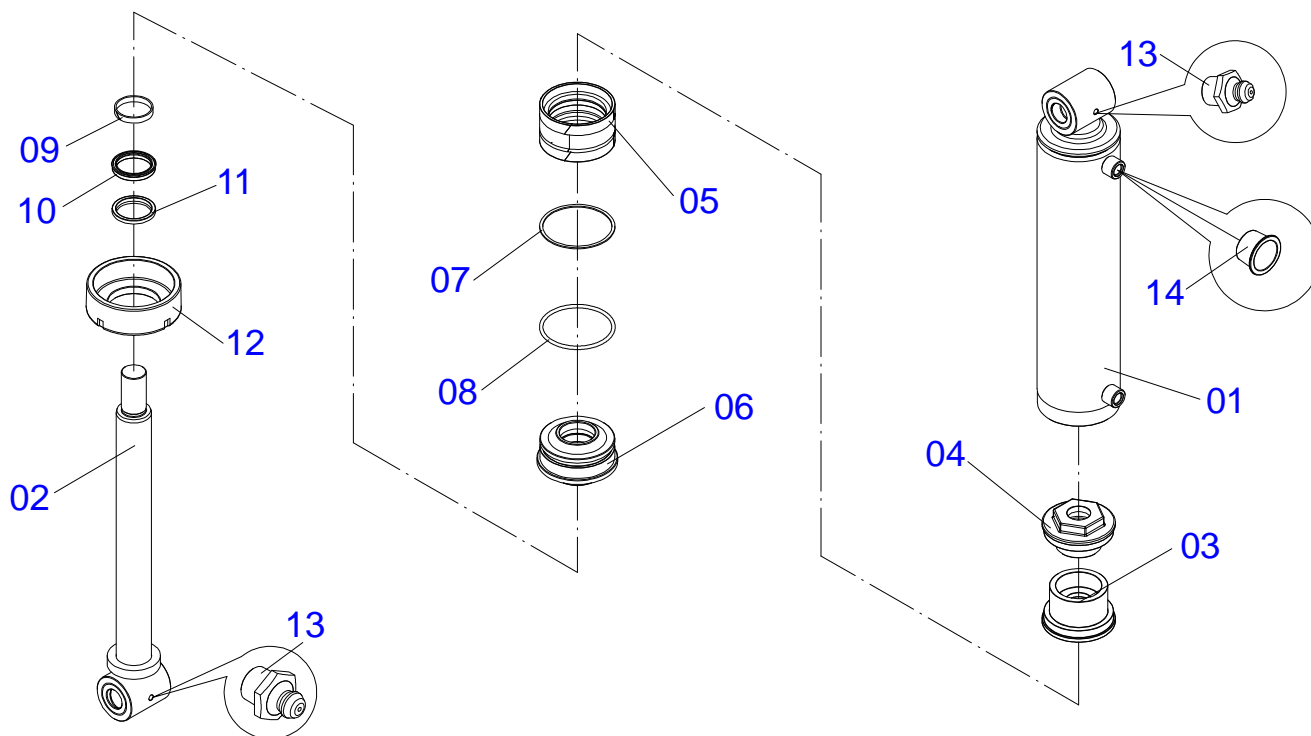
Item	Code	Description	QT
19	0521062849	HOSE HOLDER ASSY	01
20	0501047895	0.98" ROD STOP	04
21	0501047885	1.18" ROD STOP	02
22	0501047887	1.57" ROD STOP	02
23	0501047886	1.38" ROD STOP	02
24	0541016844	FIXER LOCK	03
25	0521062858	1.1/4" WRENCH NUT	01
26	0511048088	DRAWBAR JACK	01
27	0511064656	DRAWBAR PIVOT	01
28	0511064433	REGULATOR SPINDLE 1-3/4	01
29	0541014119	COUPLING SHAFT	02
30	0521012053	1.5" X 8.6" AXLE	01
31	0531018062	16" COUPLING SHAFT	02
32	0561016693	TRANSPORT LOCK	02
33	0551010332	TRANSPORT LOCK	01
34	0501011432	1-1/2" AND 1-5/8" CABLE FLAT WRENCH	01
35	0501061044	2-1/8" AND 2-1/2" CABLE FLAT WRENCH	01
36	0503016137	1-1/4" WRENCH CABLE CYLINDRICAL	01
37	0503010523	1/4" X 2" COTTERPIN	06
38	0503011877	0.3" X 2.4" SPRING PIN	08
39	0501017779	FLAT WASHER	08
40	0501011301	1.1/2" CASTLE NUT	03
41	0503010010	1/4" X 2.1/2" COTTERPIN	07
42	0503012555	7/16" X 2" BOLT	04
43	0503010180	7/16" SPRING WASHER	04
44	0503012195	5/8" NUT	62
45	0503010027	FLAT WASHER 5/8 ZN 1K01574	82
46	0503010013	NUT 5/8 NC ZN 1K03087	82
47	0503010232	BOLT 5/8 UNC X 1.3/4 C S G.5 ZN	02
48	0541010763	FLAT WASHER	77
49	0503010014	3/4" NUT	03
50	0503011198	3/4" X 6" BOLT	04
51	0503010023	3/4" SPRING WASHER	05
52	0503011250	1" X 2" BOLT	04
53	0503010012	1" SPRING WASHER	04
54	0521011565	FLAT WASHER	04
55	0521012538	COUPLING SHAFT	01
56	0541011345	16 X 68 PLUGER	01
57	0521040349	1-1/4" X 5.3/4" BOLT	08
57A	0501010954	1-1/4" X 5-3/4" BOLT	08
57B	0571010449	LOCK BOLT	08
57C	0571010448	SLEEVE 32,50 X 75 X 16	08
57D	0501010087	1.1/4" UNC NUT	08
58	0501010333	1.3/4" NUT	02
59	0502012702	BODY SUPPORT CLAMP	03
60	0503010002	GREASE FITTING	01



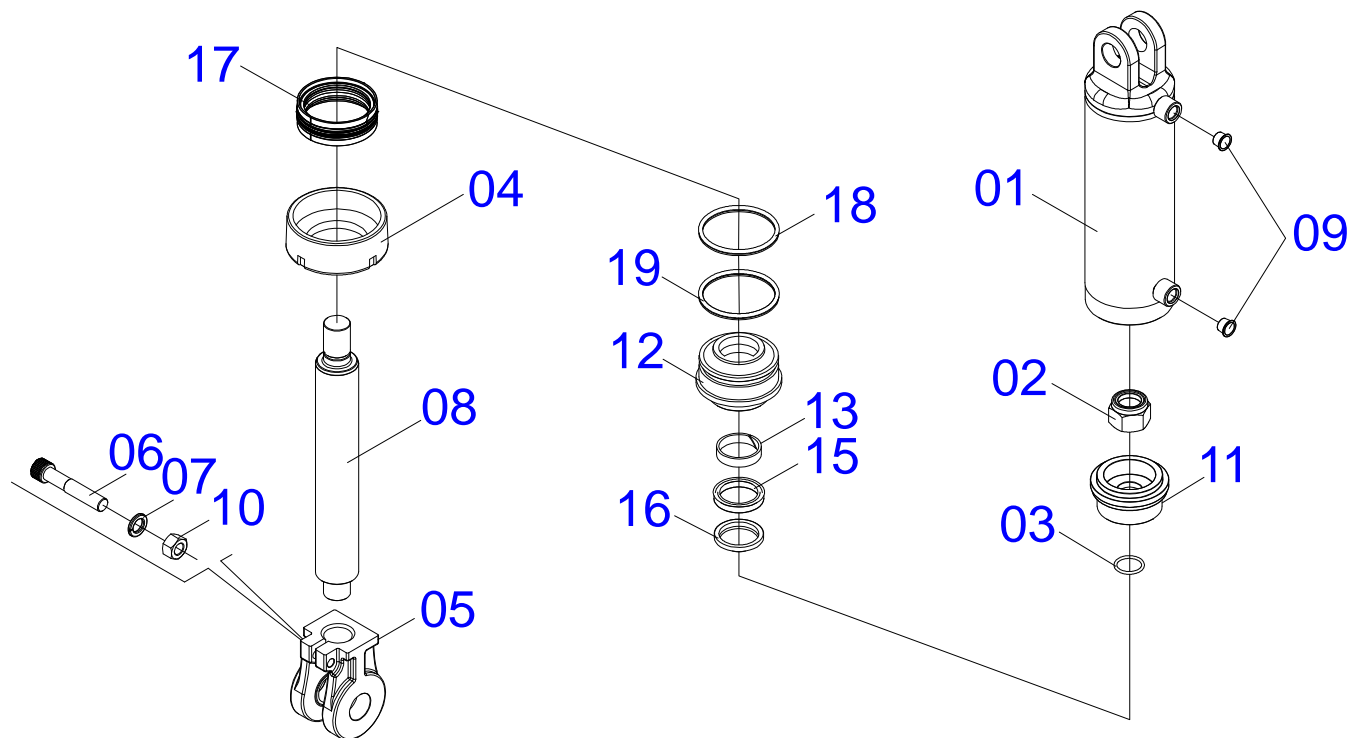
Item	Code	Description	39 41 45
01	0521065285	FRAME GASPCR-HD 9017 32-36	01 01 01
01.	0521065287	LEFT FRAME	01 01 01
02	0521065446	FRONT FRAME GAPCR-HD 8013 39D	01 00 00
03	0521065448	FRONT FRAME GAPCR-HD 8013 41D	00 01 00
04	0521065450	FRONT FRAME	00 00 01
05	0521065447	REAR FRAME GAPCR-HD 8013 39D	01 00 00
06	0521065449	REAR FRAME GAPCR-HD 8013 41D	00 01 00
07	0521065451	REAR FRAME GAPCR-HD 8013 45D	00 00 01
08	0521065288	OFFSET BAR	01 01 01
09	0521044769	DRAWBAR ASSY	01 01 01
09A	0511064669	DRAWBAR ASSY	01 01 01
09B	0502040263	LOCK SLEEVE	01 01 01
09C	0561017306	COUPLING SHAFT	01 01 01
09D	0503010523	1/4" X 2" COTTERPIN	01 01 01
09E	0502040849	U HOOK	01 01 01
09F	0511067199	2" BOLT	01 01 01
09G	0502040264	DRAWBOLT	01 01 01
09H	0502040558	2" CASTLE NUT	01 01 01
09I	0503010074	3/8 X 0,15" COTTERPIN	01 01 01
09J	0511064659	UPPER PLATE	01 01 01
09K	0511064658	LOWER PLATE	01 01 01
09L	0521011880	37,5 X 242 COUPLING SHAFT	06 06 06
09M	0501012916	FLAT WASHER 38,50 X 66 X 4,75 ZN	06 06 06
09N	0501011301	1.1/2" CASTLE NUT	06 06 06
09O	0503010010	1/4" X 2.1/2" COTTERPIN	06 06 06
10	0521013678	FRONT CLEANER	19 20 22
11	0521013679	REAR CLEANER	20 21 23
12	0503010002	GREASE FITTING	01 01 01
13	0521065289	CARRYING-WHEELS	01 01 01
14	0501057120	HUB ASSY	01 01 01
15	0511064771	FRONT SCRAPER SUPPORT	39 41 45
16	0503030285	HAIR PIN	04 04 04
17	0511058419	HYDRAULIC CYLINDER	01 01 01



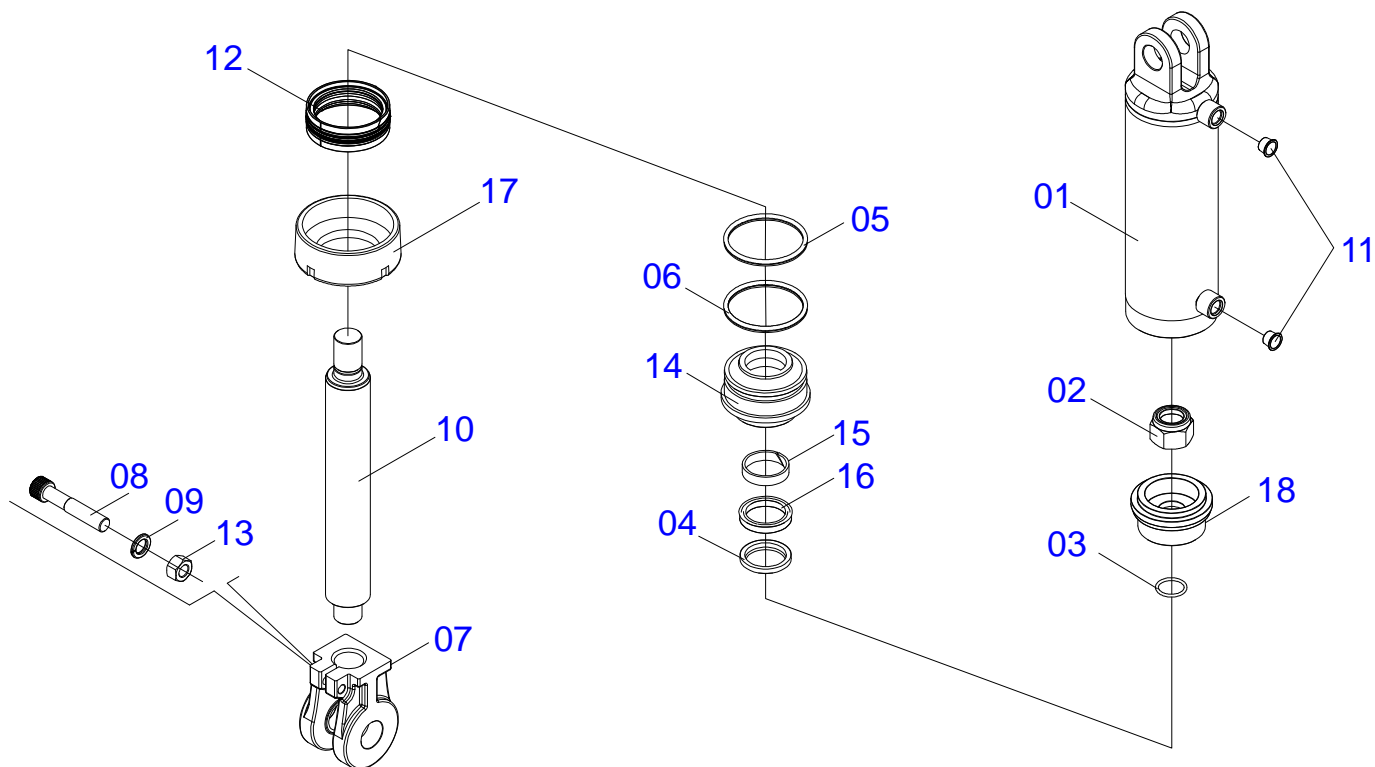
Item	Code	Description	39 41 45
18	0531019171	1.25" X 7" COUPLING SHAFT	01 01 01
19	0511048619	HYDRAULIC CYLINDER	02 02 02
20	0531018101	1.2" X 6.3" PIVOT SHAFT	02 02 02
21	0531018105	1.2" X 11.8" PIVOT SHAFT	02 02 02
22	0503013150	1300 X 3/8 CHAIN	01 01 01
23	0521062849	HOSE HOLDER ASSY	01 01 01
24	0501047895	0.98" ROD STOP	09 09 09
25	0501047885	1.18" ROD STOP	06 06 06
26	0501047887	1.57" ROD STOP	03 03 03
27	0501047886	1.38" ROD STOP	03 03 03
28	0541016844	FIXER LOCK	03 03 03
29	0521062858	1.1/4" WRENCH NUT	01 01 01
30	0511048088	DRAWBAR JACK	01 01 01
31	0511064656	DRAWBAR PIVOT	01 01 01
32	0511064433	REGULATOR SPINDLE 1-3/4	01 01 01
33	0541014119	COUPLING SHAFT	02 02 02
34	0521012053	1.5" X 8.6" AXLE	01 01 01
35	0531018062	16" COUPLING SHAFT	02 02 02
36	0561016693	TRANSPORT LOCK	02 02 02
37	0551010332	TRANSPORT LOCK	01 01 01
38	0501011432	1-1/2" AND 1-5/8 CABLE FLAT WRENCH	01 01 01
39	0501061044	2-1/8" AND 2-1/2" CABLE FLAT WRENCH	01 01 01
40	0503016137	1-1/4" WRENCH CABLE CYLINDRICAL	01 01 01
41	0503010523	1/4" X 2" COTTERPIN	06 06 06
42	0503011877	0.3" X 2.4" SPRING PIN	08 08 08
43	0501017779	FLAT WASHER	08 08 08
44	0501011301	1.1/2" CASTLE NUT	03 03 03
45	0503010010	1/4" X 2.1/2" COTTERPIN	07 07 07
46	0503012555	7/16" X 2" BOLT	04 04 04
47	0503010180	7/16" SPRING WASHER	04 04 04
48	0503012195	5/8" NUT	78 82 90
49	0503010027	FLAT WASHER 5/8 ZN 1K01574	102 106 114
50	0503010013	NUT 5/8 NC ZN 1K03087	102 106 114
51	0503010232	BOLT 5/8 UNC X 1.3/4 C S G.5 ZN	02 02 02
52	0541010763	FLAT WASHER	156 164 180
53	0503010014	3/4" NUT	04 04 04
54	0503010023	3/4" SPRING WASHER	05 05 05
55	0503011250	1" X 2" BOLT	04 04 04
56	0503010012	1" SPRING WASHER	04 04 04
57	0521011565	FLAT WASHER	04 04 04
58	0521012538	COUPLING SHAFT	01 01 01
59	0541011345	16 X 68 PLUGER	01 01 01
60	0501041102	1-1/4" X 3-3/4" ASSY BOLT	08 08 08
60A	0501015348	1-1/4" X 3-3/4" BOLT	08 08 08
60B	0501010953	1-1/4" SQUARE WASHER	08 08 08
60C	0531010713	FLAT WASHER	08 08 08
60D	0501010087	1.1/4" UNC NUT	08 08 08
61	0501010333	1.3/4" NUT	02 02 02
62	0502012702	BODY SUPPORT CLAMP	03 03 03
63	0503062172	WHEEL AND TIRE ASSY	02 02 02



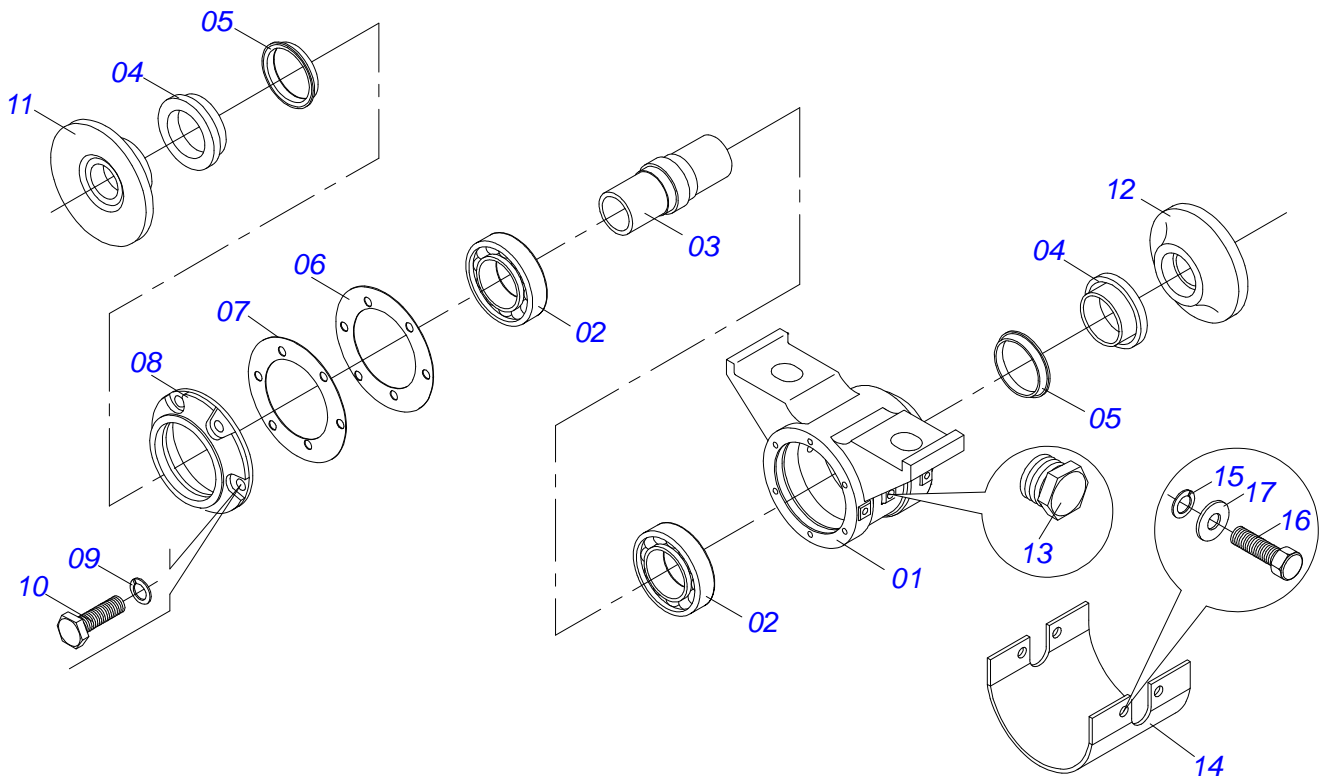
Item	Code	Description	QT
01	0521061685	114,30 X 500 CYLINDER CASE	01
02	0521061684	56,98 X 590,50 TURNBUCKLE	01
03	0561016578	PISTON BODY	01
04	0502012643	PISTÓN BODY	01
05	0503015640	SEALING SELEMASTER	01
06	0502012644	RING SUPPORT	01
07	0503011893	8-346 BACK-UP RING	01
08	0503011892	2-346 N 3006-9B O'RING	01
09	0503015641	RING SLYDRING	01
10	0503015642	U-CUP SEALING	01
11	0503015715	SCRAPER SEALING	01
12	0502011222	0.56" MOBILE COVER	01
13	0503010002	GREASE FITTING	02
14	0503030384	CON N-001 PLUG	02



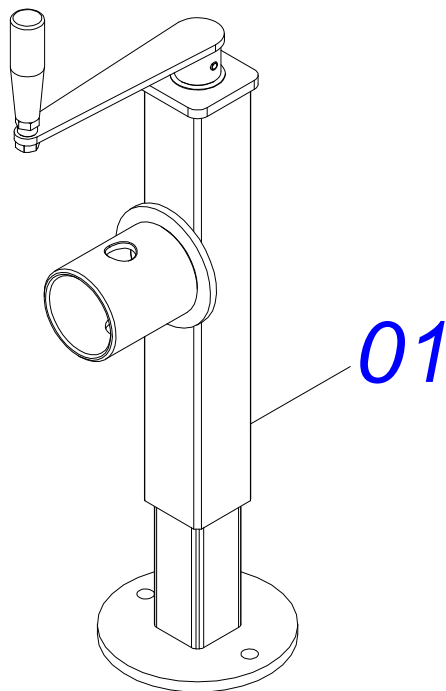
Item	Code	Description	QT
001	0521066698	CYLINDER CASE ASSY	01
002	0503010817	1.1/4" UNF SELF ADJUSTING NUT	01
003	0503018029	2-217 O'RING	01
004	0502012822	101,60 MOBILE COVER	01
005	0502040747	FORK	01
006	0503011094	3/8" X 2" BOLT C C S I 12.9	01
007	0503011443	3/8" SPRING WASHER	01
008	0581011007	HYDRAULIC CYLINDER TURNBUCKLE	01
009	0503030384	CON N-001 PLUG	02
010	0503010026	3/8" NUT	01
011	0502012820	50,80 X 101,60 PISTON	01
012	0502012821	50,80 X 101,60 RING SUPPORT	01
013	0503018025	RING GUIDE	01
014	0503010039	D-2000 SCRAPER RING	01
015	0503018026	1870-2000-375 B GASKET	01
016	0503018024	RING BS	01
017	0503015633	SEALING SELEMASTER	01
018	0503010338	2-342 N 3006-9B O'RING	02
019	0503011061	8-342 BACK-UP RING	02



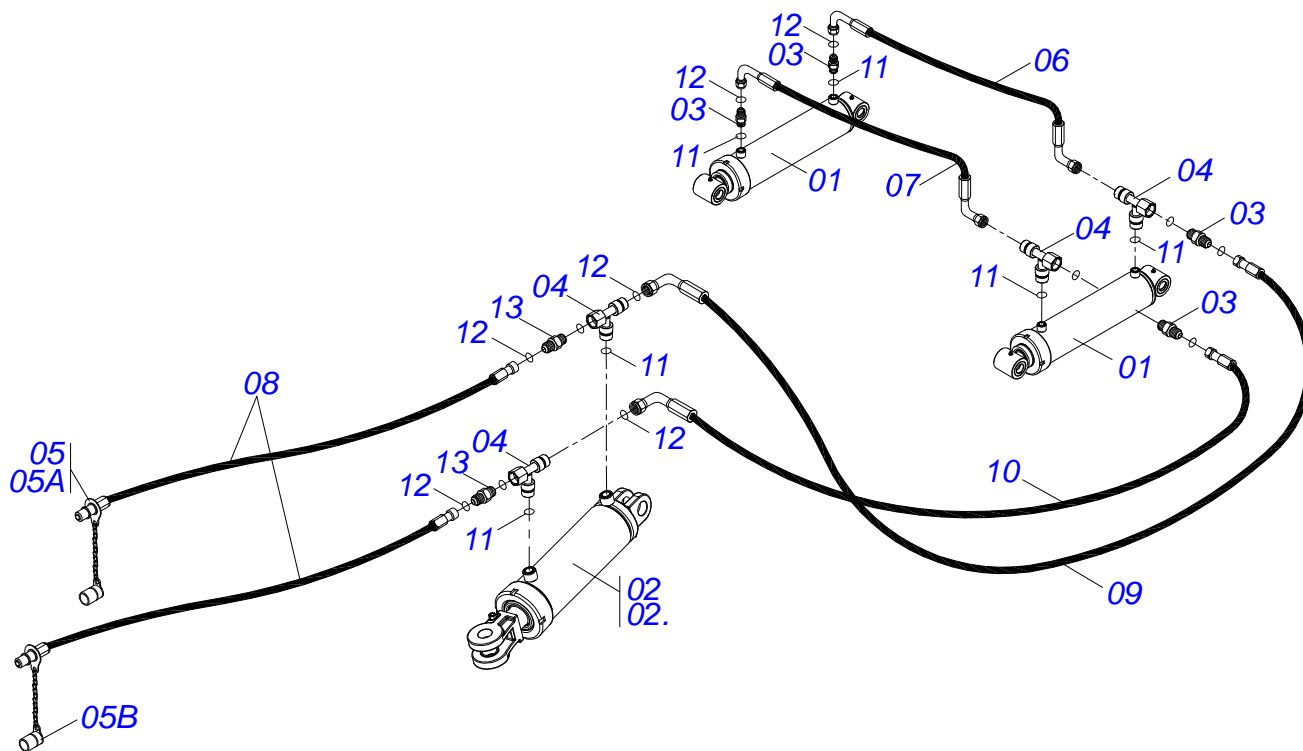
Item	Code	Description	QT
001	0511061336	101,6 X 398 CYLINDER CASE	01
002	0503010817	1.1/4" UNF SELF ADJUSTING NUT	01
003	0503010345	2-218 N 3006-9B O-RING	01
004	0503015636	SCRAPER SEAL	01
005	0503010338	2-342 N 3006-9B O-RING	02
006	0503011061	8-342 BACK-UP RING	02
007	0502040747	FORK	01
008	0503011094	3/8" X 2" BOLT C C S I 12.9	01
009	0503011443	3/8" SPRING WASHER	01
010	0521010422	HYDRAULIC CYLINDER TURNBUCKLE	01
011	0503030384	CON N-001 PLUG	02
012	0503015633	SEALING SELEMASTER	01
013	0503010026	3/8" NUT	01
014	0581010678	50,80 X 101 RING SUPPORT	01
015	0503018025	RING GUIDE	01
016	0503018026	1870-2000-375 B GASKET	01
017	0502012822	101,60 MOBILE COVER	01
018	0502012842	50,80 X 101,60 PISTON	01



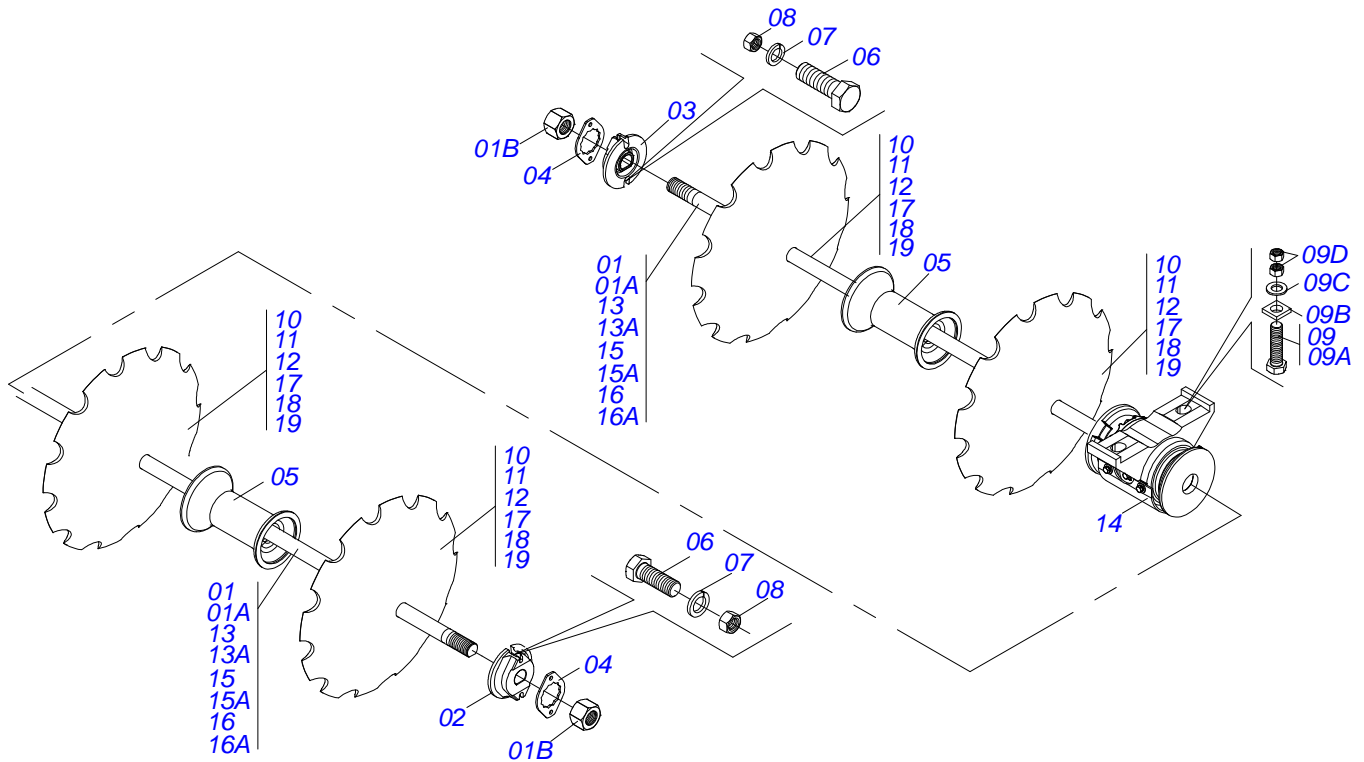
Item	Code	Description	QT
01	0502012218	13" 2-1/2" HOUSING BEARING	01
02	0503010482	594A/592A ROLLER BEARING	02
03	0502040204	AXLE	01
04	0502040119	SEAL RETAINER	02
05	0503030029	SEAL # LP JB-259	02
06	0503030537	8.3" X 6.3" X 0.01" JOINT	02
07	0503030687	8.3" X 6.3" X 0.004" JOINT	01
08	0502010644	HOUSING CAP DM	01
09	0503010019	SPRING WASHER 1/2 ZN 1K01556	06
10	0503010920	1/2" X 1.1/2" BOLT	06
11	0502012239	BEARING OUTER FLANGE	01
12	0502012238	BEARING INNER FLANGE	01
13	0503010856	3/8" OIL PLUG	01
14	0541011067	BEARING GUARD	01
15	0503010025	3/8" SPRING WHASHER	04
16	0503010256	3/8" X 3/4" BOLT	04
17	0511017302	FLAT WASHER	04



Item	Code	Description	
01	0503062227	DRAWBAR JACK	01



Item	Code	Description	QT
01	0511048619	HYDRAULIC CYLINDER	02
02	0511058419	HYDRAULIC CYLINDER	01
02.	0511058521	HYDRAULIC CYLINDER	01
03	0503030923	3/4" UNF X 13/16UN OFS X 40 NIPPLE	06
04	0503013637	T 1/2" MALE ADAPTER	04
05	0501053834	QUICK CONECTION (MALE) 1/2NPT	02
05A	0503011627	QUICK CONNECTION (MALE) AGR 1/2 NPT	02
05B	0503011882	QUICK CONNECTION COVER	02
06	0501081114	1/2 X 1330 TR-TR HOSE ASSY	01
07	0501081620	1/2" X 1700 TC-TC HOSE	01
08	0501080917	1/2" X 5500 TR-TM HOSE ASSY	02
09	0501081935	1/2 X 4700 TR-TC TERM OFS HOSE	01
10	0501081075	1/2" X 4000 TR-TC HOSE ASSY	01
11	0503010190	2-114 N 3006-9B O'RING	06
12	0503011030	2-014 N 3006-9B O'RING	14
13	0503032031	3/4" UNF REDUCTION NIPPLE	02



Item	Code	Description	25	29	31	33	35	37	39	41	45
01	0511042484	2-1/2" X 78" AXLE WITH NUTS	03	00	00	00	00	05	03	02	00
01A	0541012129	2-1/2" X 78" AXLE	03	00	00	00	00	05	03	02	00
01B	0502040064	2.1/2"SNC X 70 99 NUT	02	04	04	04	04	04	04	04	04
02	0502010592	2-1/2" INNER AXLE WASHER	04	04	04	04	04	06	06	06	06
03	0502010593	2-1/2" EXTERNAL AXLE WASHER	04	04	04	04	04	06	06	06	06
04	0541010368	NUT LOCK	08	08	08	08	08	12	12	12	12
05	0502011425	13" X 2-1/2" SPACER	13	17	19	21	23	19	11	23	27
06	0503010232	BOLT 5/8 UNC X 1.3/4 C S G.5 ZN	08	08	08	08	08	12	12	12	12
07	0503010027	FLAT WASHER 5/8 ZN 1K01574	08	08	08	08	08	12	12	12	12
08	0503010013	NUT 5/8 NC ZN 1K03087	08	08	08	08	08	12	12	12	12
09	0501041301	1-1/4"X 5-3/4" ASSY BOLT	16	16	16	16	16	24	24	24	24
09A	0501010954	1-1/4" X 5-3/4" BOLT	16	16	16	16	16	24	24	24	24
09B	0501010953	1-1/4" SQUARE WASHER	16	16	16	16	16	24	24	24	24
09C	0531010713	FLAT WASHER	16	16	16	16	16	24	24	24	24
09D	0501010087	1.1/4" UNC NUT	32	32	32	32	32	48	48	48	48
10	0602044002	32" X 0.3" NOTCHED DISC BLADE	00	00	00	32	00	00	00	00	00
11	0602046001	34" X 0.3" NOTCHED DISC BLADE	00	01	00	00	34	36	00	00	00
12	0602048004	DISC	00	28	15	00	00	00	00	00	00
13	0511042421	2-1/2" X 91.7" AXLE WITH NUTS	01	03	01	00	00	01	03	03	03
13A	0541011893	2-1/2" X 91.7" AXLE	01	03	01	00	00	01	03	03	03
14	0511042290	13" X 2-1/2" OIL BATH BEARING	08	08	08	08	08	12	12	12	12
15	0511042422	2-1/2" X 105" AXLE WITH NUTS	00	01	03	03	01	00	00	01	03
15A	0541011894	2-1/2" X 105" AXLE	00	01	03	03	01	00	00	01	03
16	0521040322	AXLE	00	00	00	01	03	00	00	00	00
16A	0571010424	AXLE	00	00	00	01	03	00	00	00	00
17	0602048063	36" X 0.3" NOTCHED DISC BLADE	24	00	15	00	00	00	38	40	44
18	0602033922	DISC	00	00	01	00	00	00	00	00	00
19	0602044033	32 X 9MM NOTCHED DISC	01	00	00	00	01	01	01	01	01



MARCHESAN IMPLEMENTOS E MÁQUINAS AGRÍCOLAS TATU S.A.

AV. Marchesan, 1979 - Post office box, 131 - CEP 15994-900 - Matão - SP - Brazil

Phone +55 16.3382-8282

(FAX Parts) + 55 16.3382. 8297 - (Export) + 55 16.3382.1003

e.mail: tatu@marchesan.com.br www.marchesan.com.br

*Drafting and Illustration = GASPARI
e.mail = jgaspari@marchesan.com.br*

**ORIGINAL PARTS
TATU**

