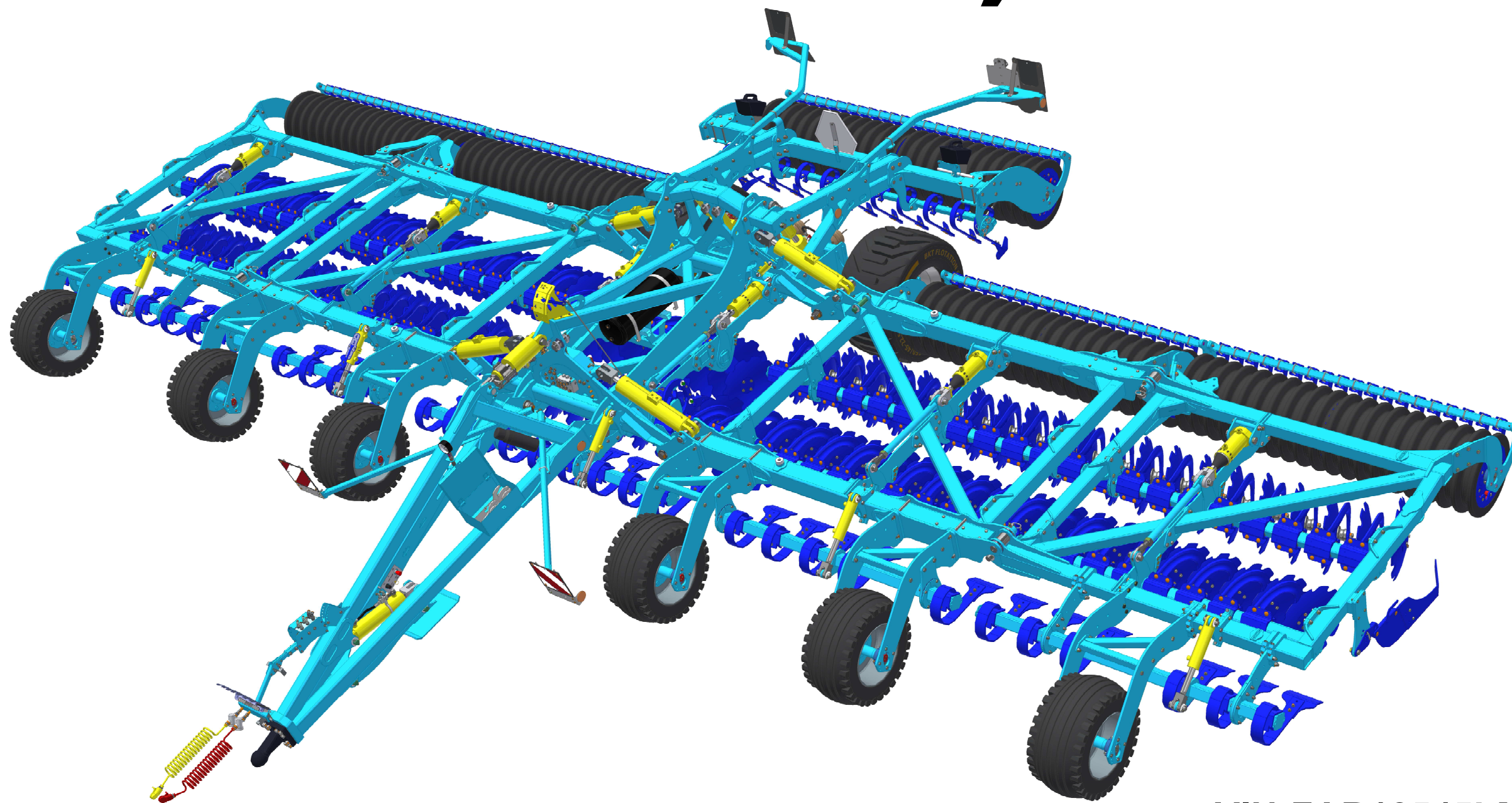


The effective technology

Farmet®

ⒸZ KATALOG NÁHRADNÍCH DÍLŮ ⒸB CATALOGUE OF SPARE PARTS ⒸD ERSATZTEILLISTE
ⒸRU КАТАЛОГ ЗАПАСНЫХ ЧАСТЕЙ ⒸF CATALOGUE DES PIÈCES DE RECHANGE ⒸPL KATALOG CZĘŚCI ZAMIENNYCH

SOFTER 12,5 PS



ⒸZ Platnost pro vrcholové | výrobní číslo stroje ⒸB Validity for the top | serial number of the machine
ⒸD Gültigkeit für die Haupt- | Herstellungsnummer der Maschine ⒸRU Действительно для главного | заводского номера машины
ⒸF Validité du numéro de référence | de série de la machine ⒸPL Obowiązuje dla numeru głównego | seryjnego maszyny

VIN: FAR12545LM0000258
9316774 | 2021/0258

Farmet a. s.
Jiřinková 276
552 03 Česká Skalice, CZ

telefon: +420 491 450 111
fax: +420 491 450 136
GSM: +420 774 715 738

IČ: 46504931
DIČ: CZ46504931

web: www.farmet.cz
e-mail: farmet@farmet.cz

ⒸZ NAVIGACE STROJE

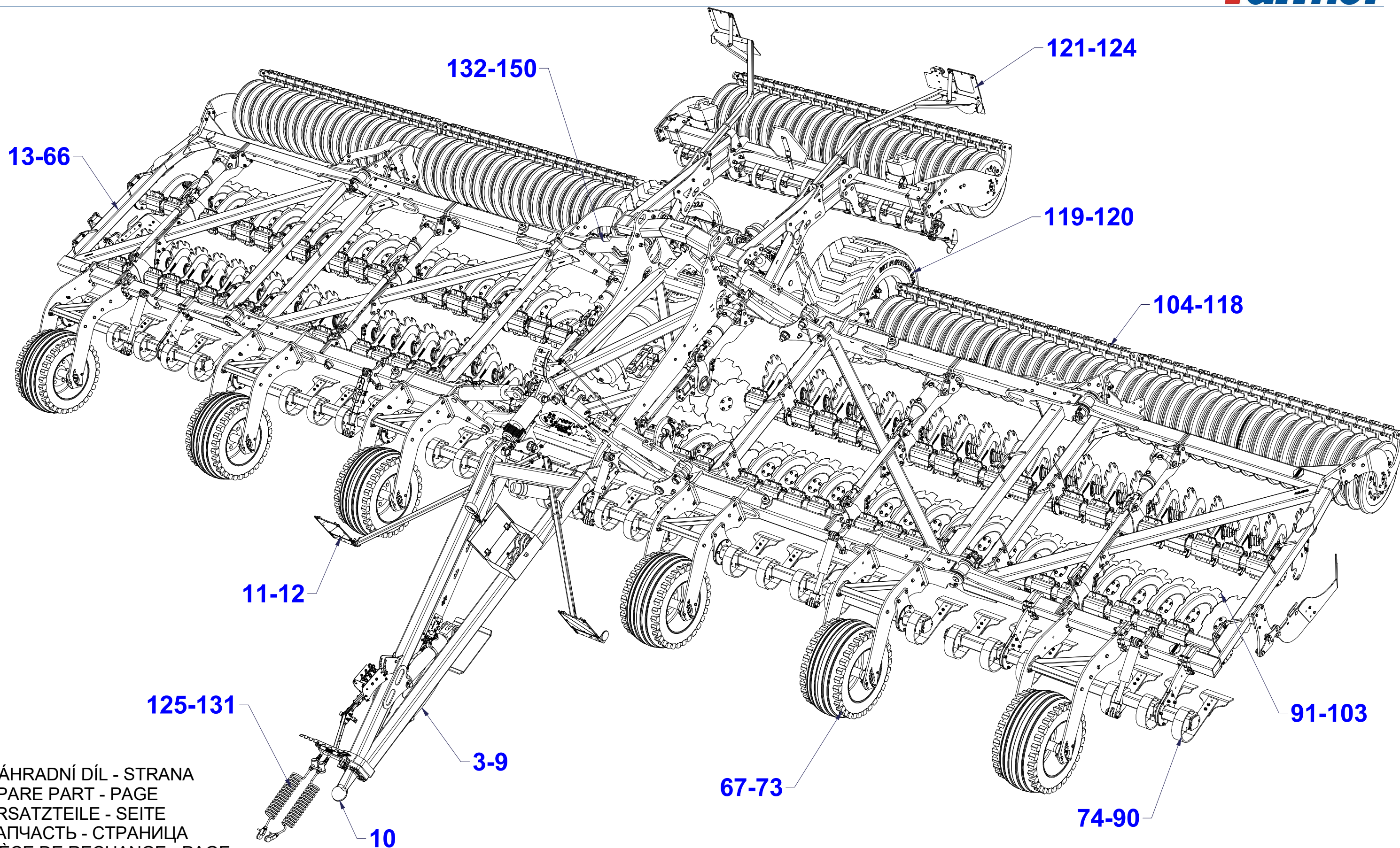
Ⓓ NAVIGATION DER MASCHINE

Ⓕ NAVIGATION DE LA MACHINE

ⒸB NAVIGATION OF THE MACHINE

ⒸU НАВИГАЦИЯ МАШИНЫ

ⒸL NAWIGACJA MASZYNY



ⒸZ NÁHRADNÍ DÍL - STRANA

ⒸB SPARE PART - PAGE

Ⓓ ERSATZTEILE - SEITE

ⒸU ЗАПЧАСТЬ - СТРАНИЦА

Ⓕ PIÈCE DE RECHANGE - PAGE

ⒸL CZĘŚCI ZAMIENNE - STRONA

ⒸZ OJ MONT

Ⓓ DEICHSEL MONTIERT

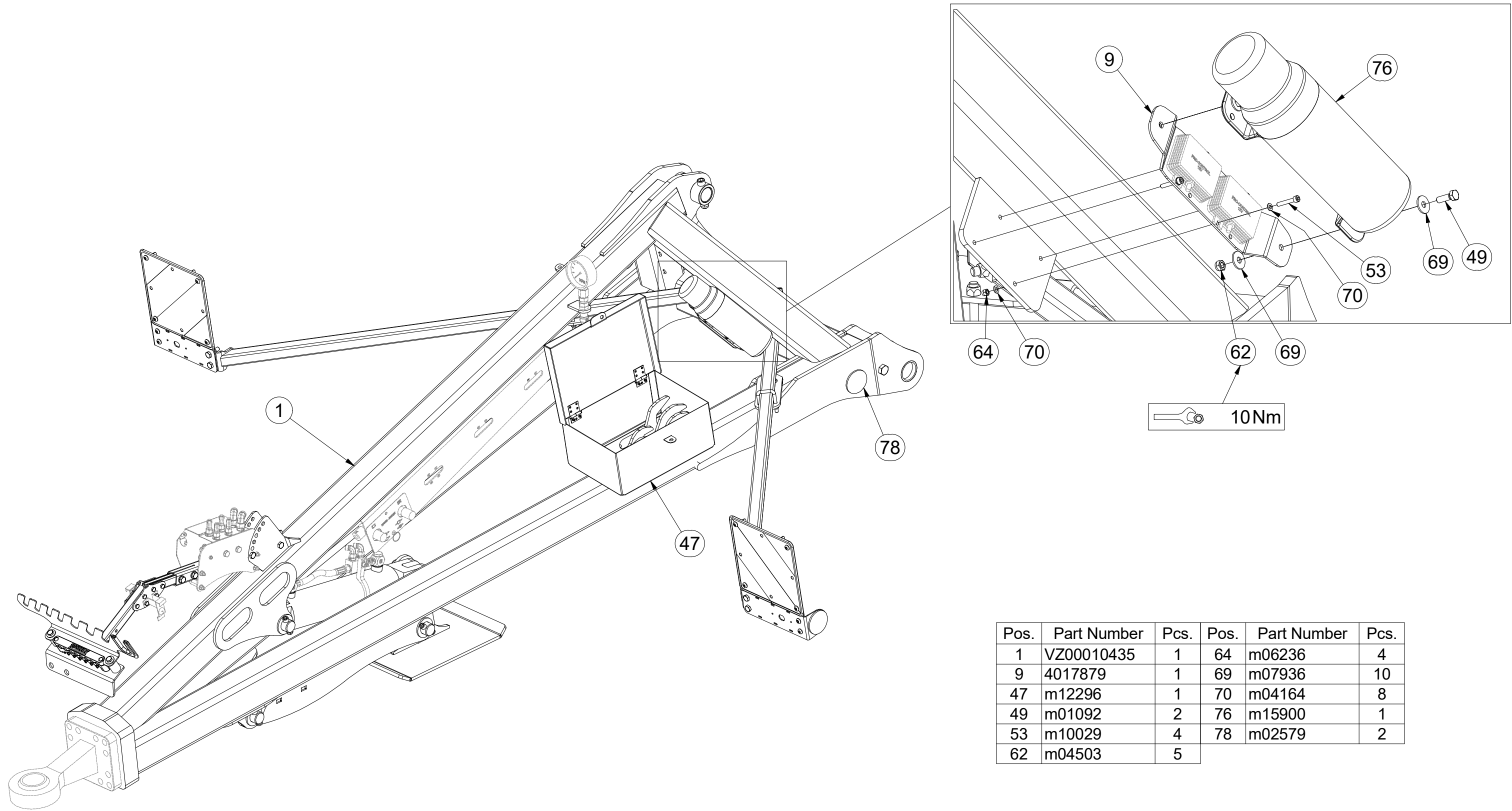
Ⓕ TIMON MONTÉ

3012446

ⒸB MONT DRAWBAR

Ⓔ ДЫШЛО МОНТ.

Ⓖ DYSZEL MONT



| Pos. | Part Number | Pcs. | Pos. | Part Number | Pcs. |
|------|-------------|------|------|-------------|------|
| 1 | VZ00010435 | 1 | 64 | m06236 | 4 |
| 9 | 4017879 | 1 | 69 | m07936 | 10 |
| 47 | m12296 | 1 | 70 | m04164 | 8 |
| 49 | m01092 | 2 | 76 | m15900 | 1 |
| 53 | m10029 | 4 | 78 | m02579 | 2 |
| 62 | m04503 | 5 | | | |

ⒸZ OJ MONT

Ⓓ DEICHSEL MONTIERT

Ⓕ TIMON MONTÉ

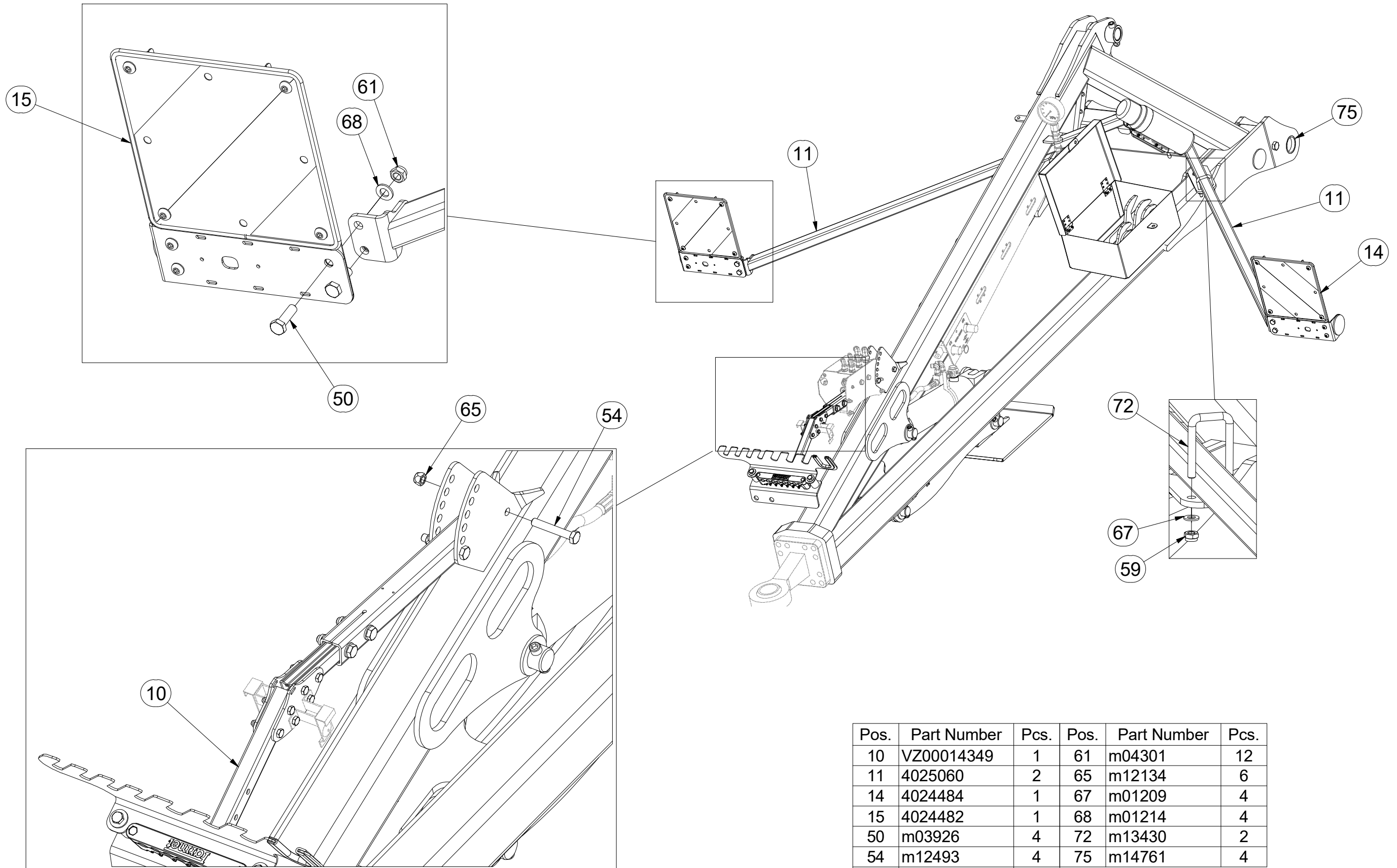
ⒸB MONT DRAWBAR

ⒸR ДЫШЛО МОНТ

ⒸL DYSZEL MONT



3012446



| Pos. | Part Number | Pcs. | Pos. | Part Number | Pcs. |
|------|-------------|------|------|-------------|------|
| 10 | VZ00014349 | 1 | 61 | m04301 | 12 |
| 11 | 4025060 | 2 | 65 | m12134 | 6 |
| 14 | 4024484 | 1 | 67 | m01209 | 4 |
| 15 | 4024482 | 1 | 68 | m01214 | 4 |
| 50 | m03926 | 4 | 72 | m13430 | 2 |
| 54 | m12493 | 4 | 75 | m14761 | 4 |
| 59 | m03775 | 4 | | | |

Ⓒ OJ MONT

Ⓓ DEICHSEL MONTIERT

Ⓕ TIMON MONTÉ

Ⓖ MONT DRAWBAR

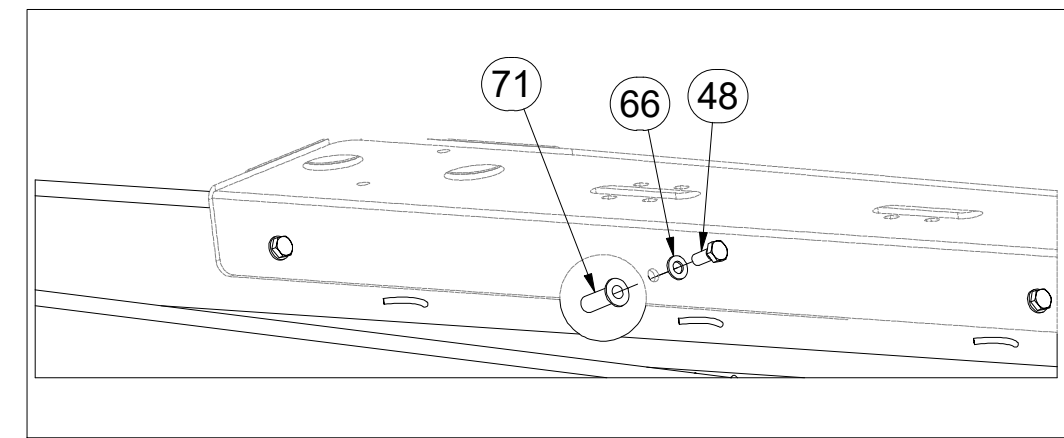
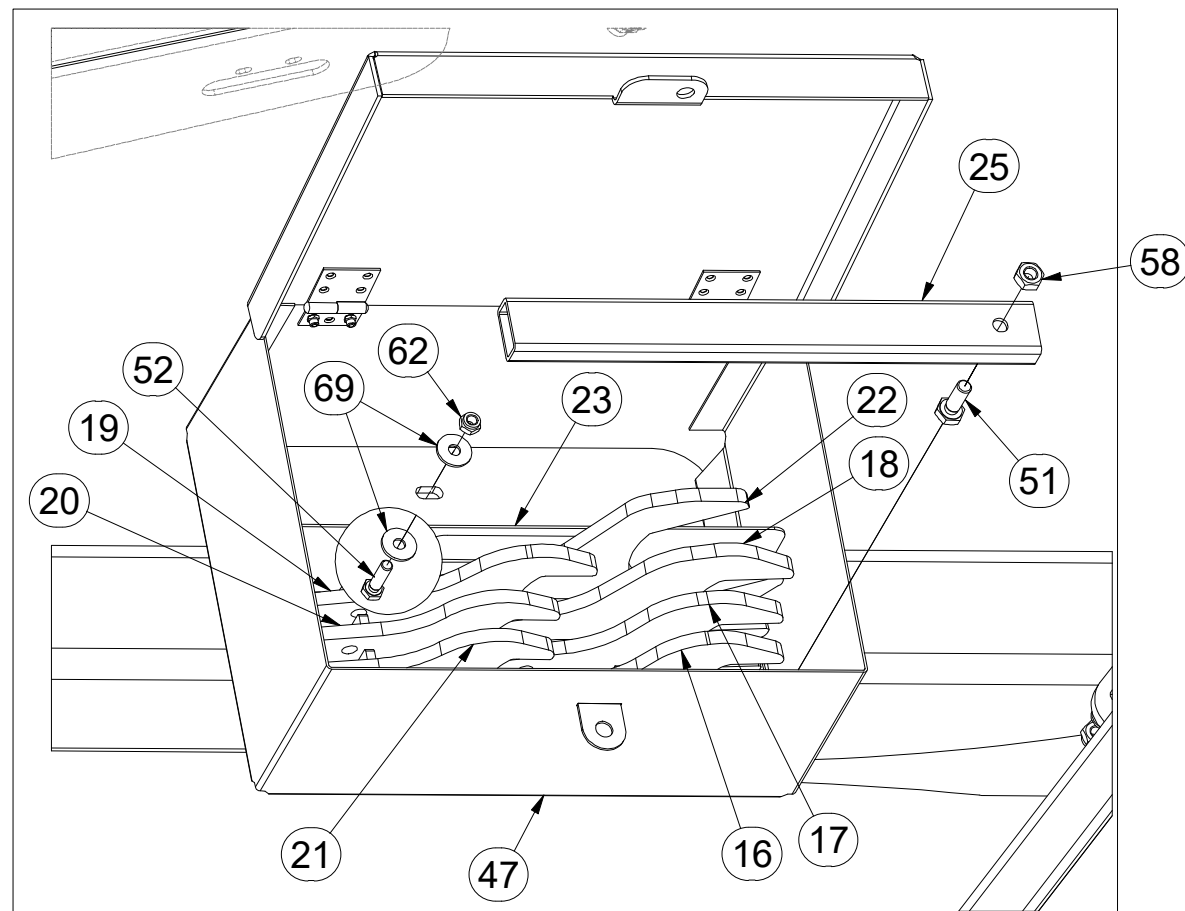
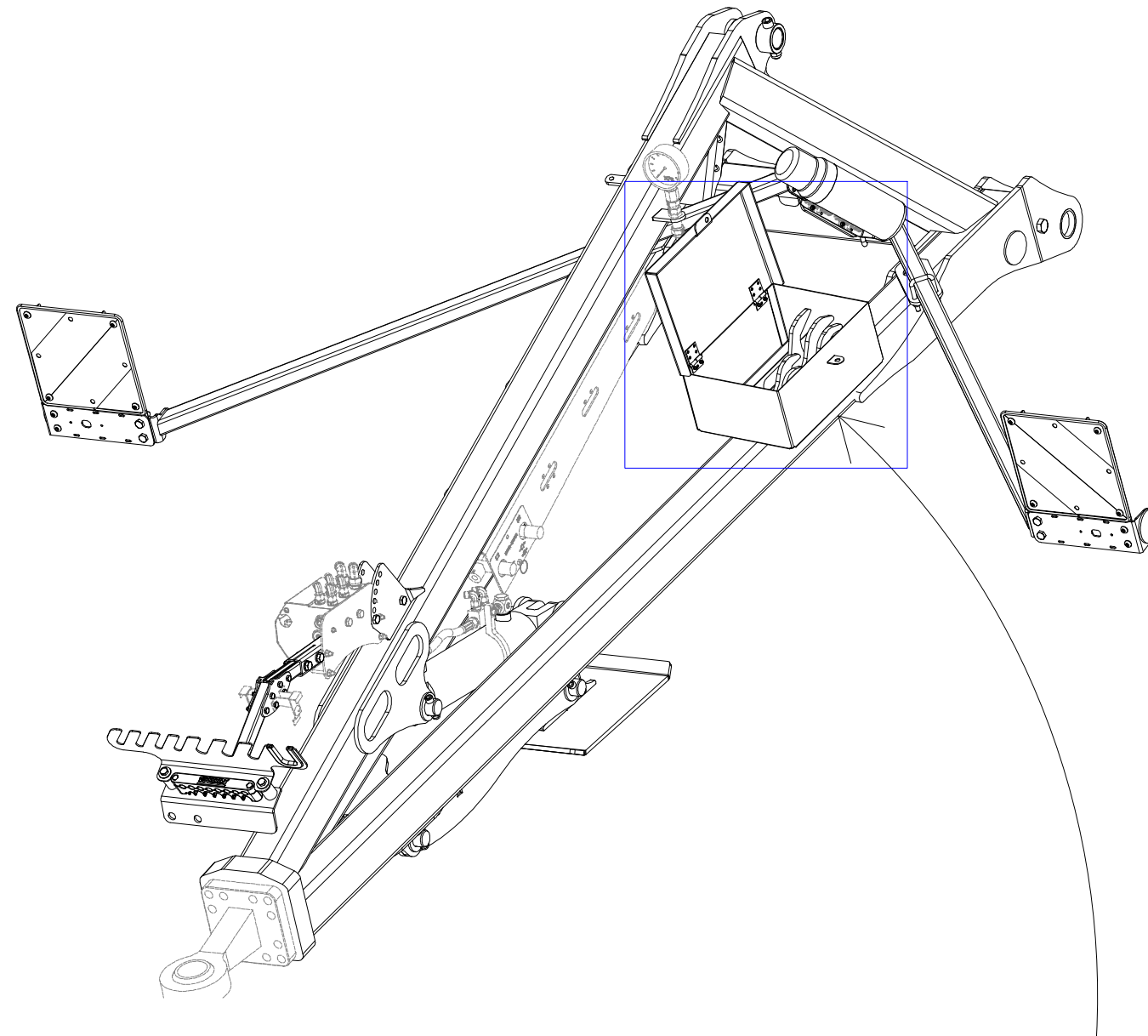
Ⓡ ДЫШЛО МОНТ

Ⓟ DYSZEL MONT



3012446

| Pos. | Part Number | Pcs. | Pos. | Part Number | Pcs. |
|------|-------------|------|------|-------------|------|
| 16 | VZ00002265 | 1 | 47 | m12296 | 1 |
| 17 | VZ00002267 | 1 | 48 | m01089 | 3 |
| 18 | VZ00002268 | 1 | 51 | m04612 | 1 |
| 19 | VZ00002270 | 1 | 52 | m04791 | 3 |
| 20 | VZ00002271 | 1 | 58 | m01299 | 1 |
| 21 | VZ00002272 | 1 | 62 | m04503 | 5 |
| 22 | VZ00005891 | 1 | 66 | m01203 | 3 |
| 23 | VZ00002392 | 1 | 69 | m07936 | 10 |
| 25 | VZ00005540 | 1 | 71 | m20317 | 3 |



ⒸZ OJ MONT

Ⓓ DEICHSEL MONTIERT

Ⓕ TIMON MONTÉ

ⒼB MONT DRAWBAR

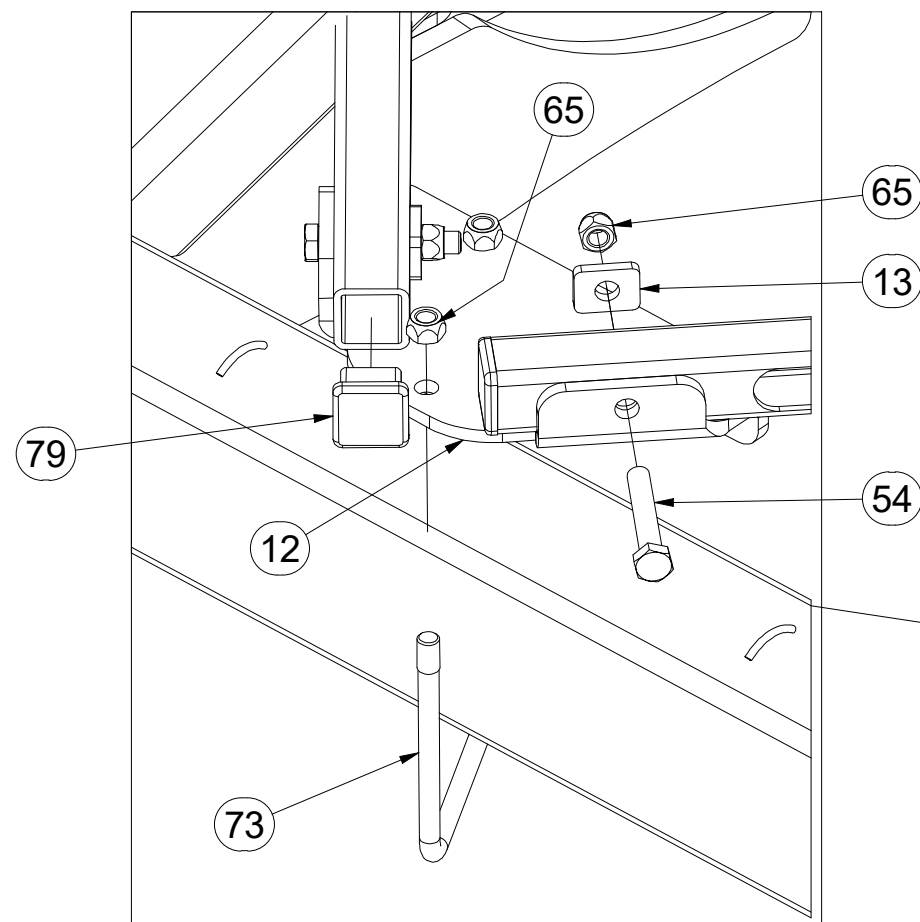
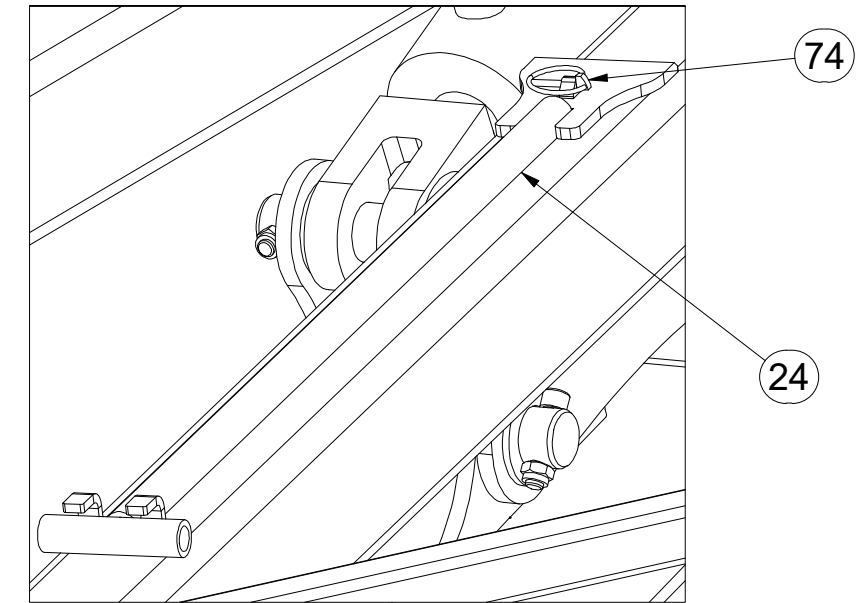
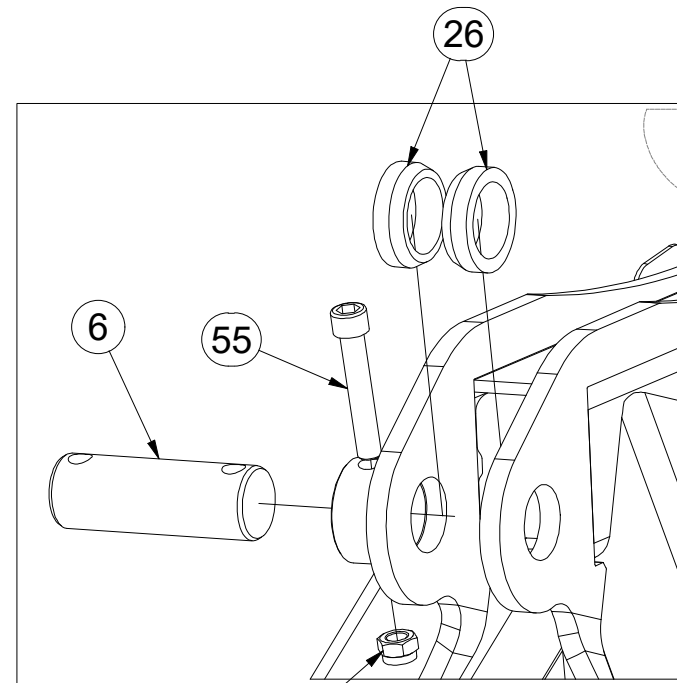
Ⓔ RU ДЫШЛО МОНТ

Ⓗ PL DYSZEL MONT

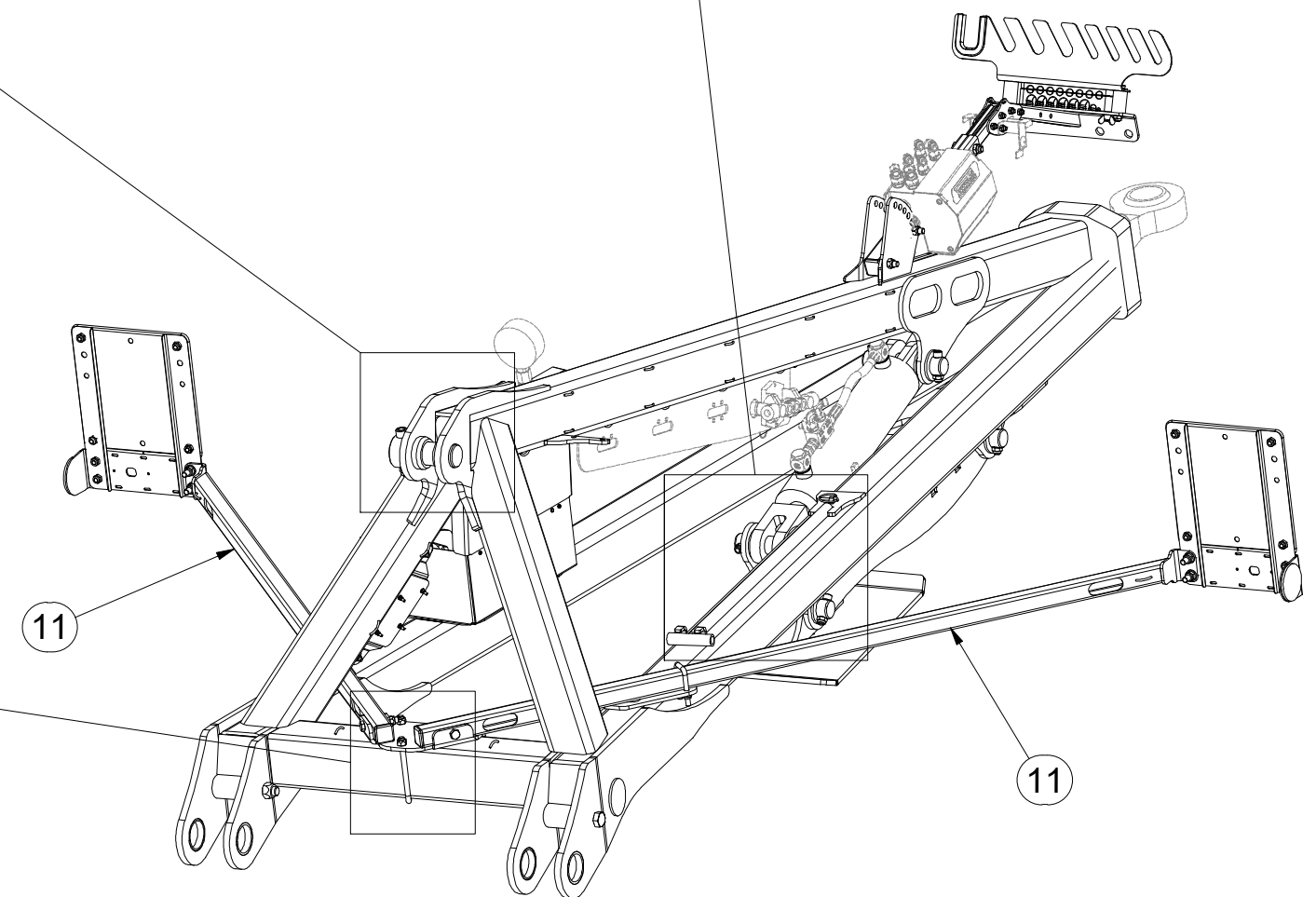


3012446

| Pos. | Part Number | Pcs. |
|------|-------------|------|
| 6 | 4015689 | 1 |
| 11 | 4025060 | 2 |
| 12 | 4025064 | 1 |
| 13 | 4025082 | 2 |
| 24 | VZ00002398 | 1 |
| 26 | VZ00009200 | 2 |
| 54 | m12493 | 4 |
| 55 | m14413 | 1 |
| 65 | m12134 | 6 |
| 73 | m10096 | 1 |
| 74 | m10454 | 1 |
| 79 | m08682 | 2 |
| 81 | m03683 | 1 |



81



ⒸZ OJ MONT

Ⓓ DEICHSEL MONTIERT

Ⓕ TIMON MONTÉ

ⒼB MONT DRAWBAR

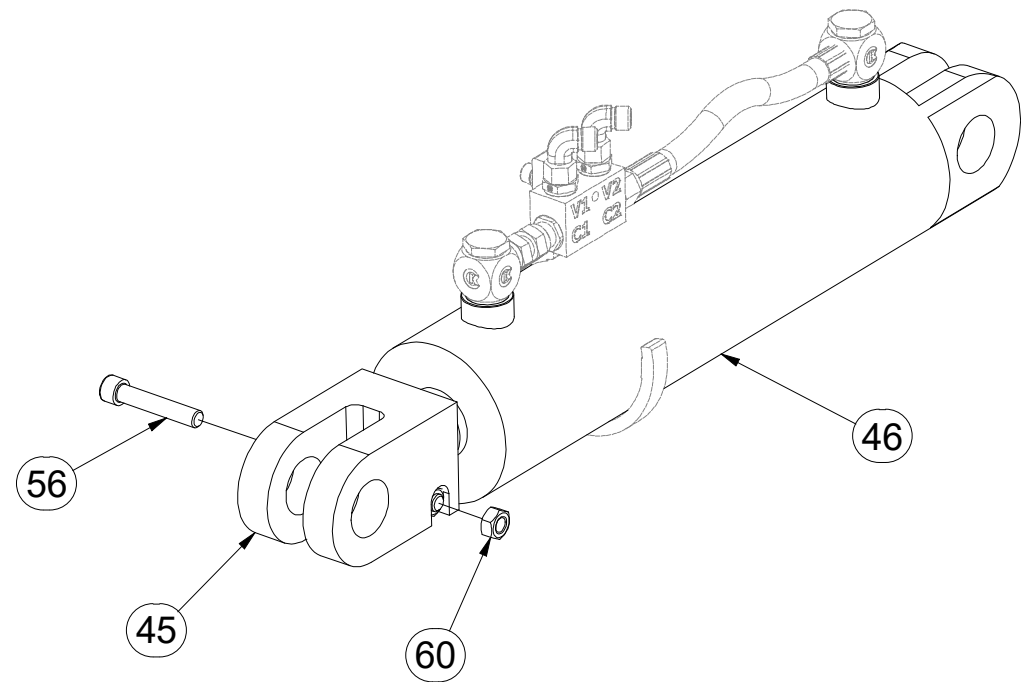
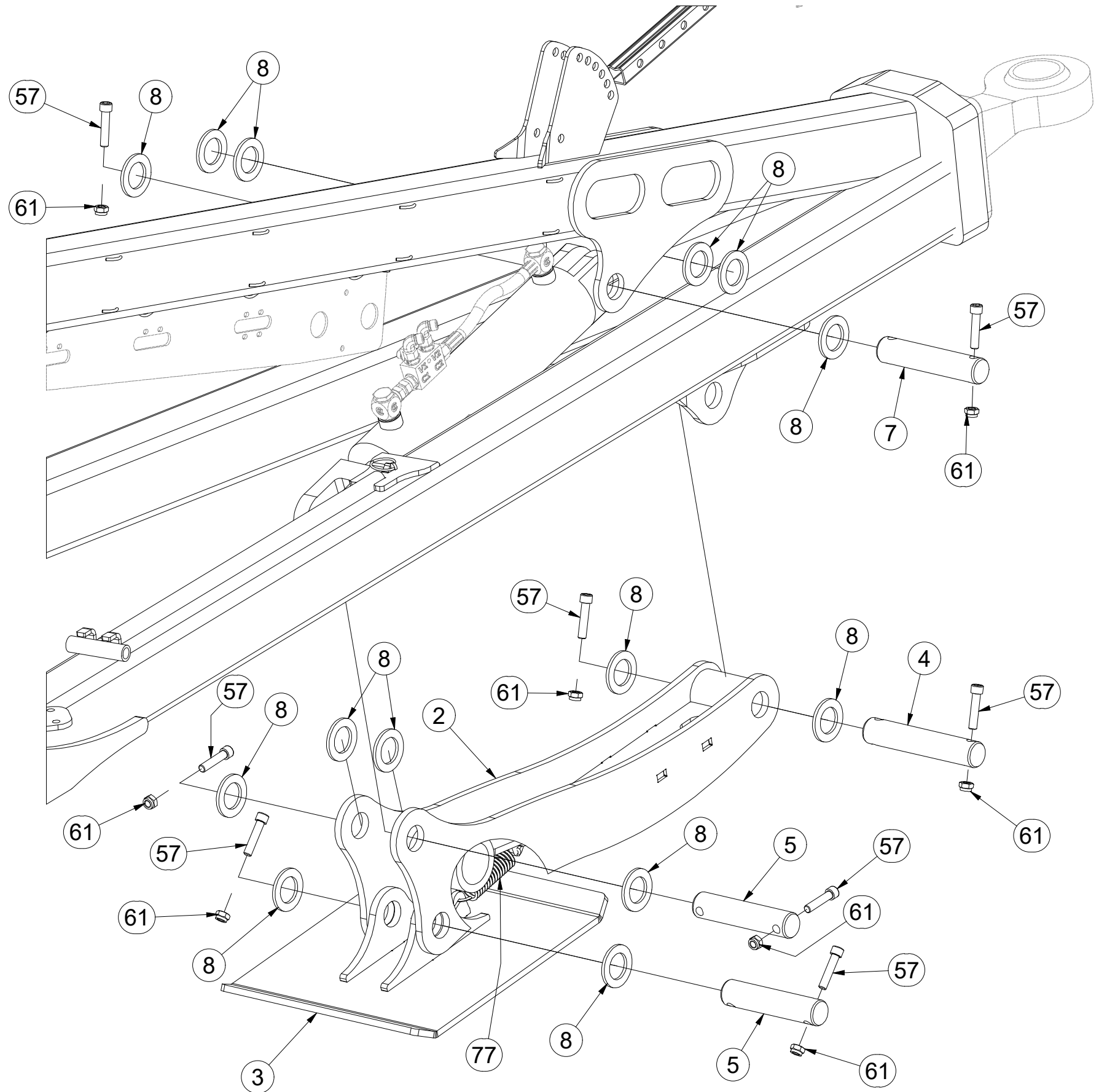
ⒺU ДЫШЛО МОНТ

ⒽL DYSZEL MONT



3012446

| Pos. | Part Number | Pcs. | Pos. | Part Number | Pcs. |
|------|-------------|------|------|-------------|------|
| 2 | 3007867 | 1 | 46 | m20993 | 1 |
| 3 | 3007868 | 1 | 56 | m14867 | 2 |
| 4 | 4007642 | 1 | 57 | m14008 | 8 |
| 5 | 4011501 | 2 | 60 | m10439 | 2 |
| 7 | 4012143 | 1 | 61 | m04301 | 12 |
| 8 | 4013139 | 14 | 77 | m20499 | 1 |
| 45 | m15149 | 1 | | | |



☉ TÁHLO

☉ STANGE

☉ TIGE DE TRACTION

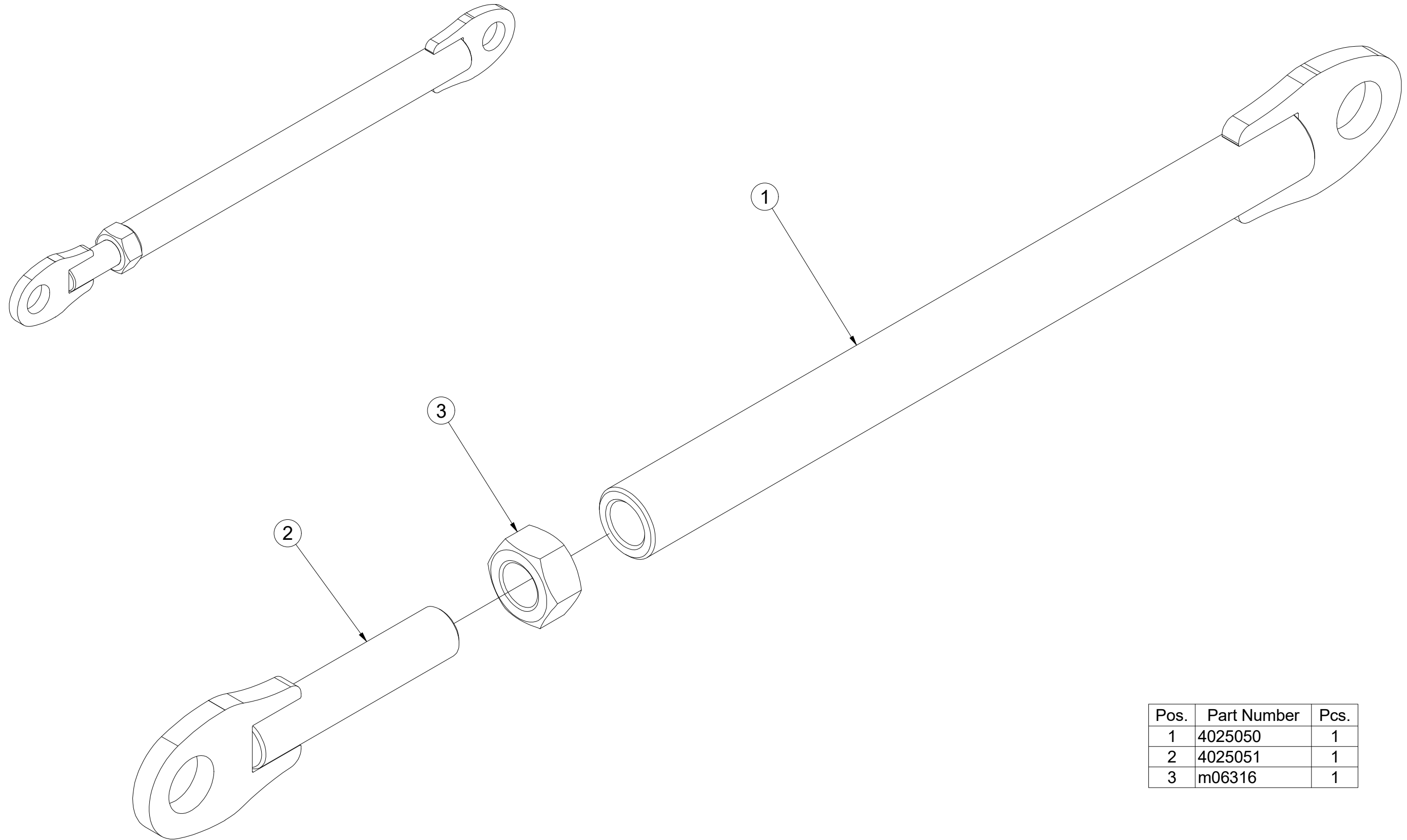
4025049

☉ DRAWBAR

☉ ТЯГА

☉ PRĘT

Farmet



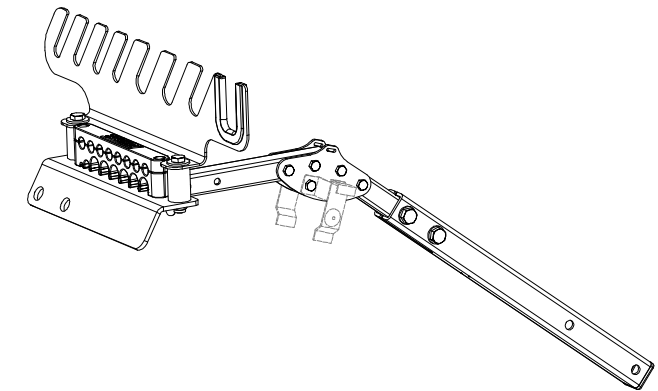
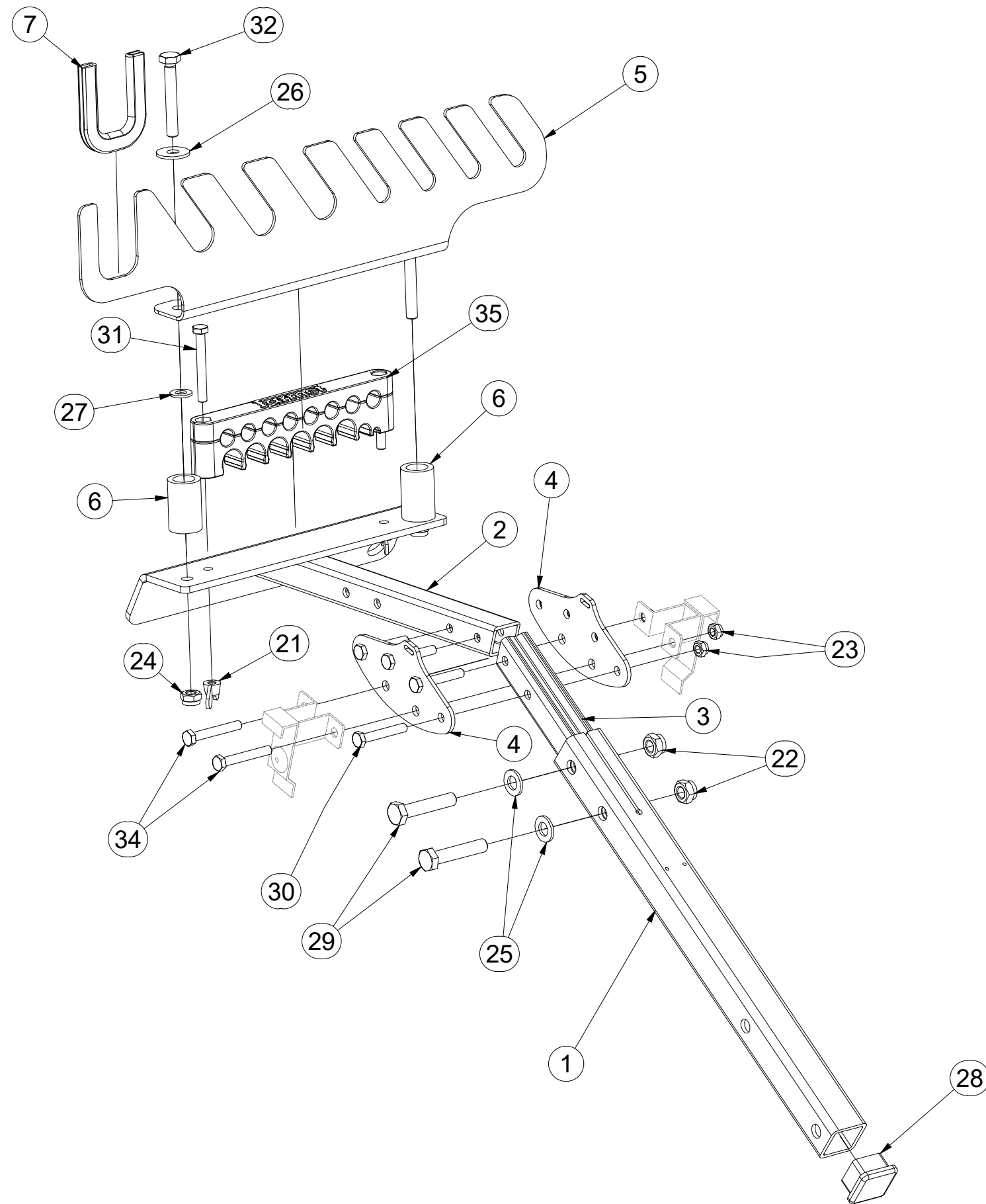
| Pos. | Part Number | Pcs. |
|------|-------------|------|
| 1 | 4025050 | 1 |
| 2 | 4025051 | 1 |
| 3 | m06316 | 1 |

- Ⓒ DRŽÁK
- Ⓓ HALTER
- Ⓕ SUPPORT

- Ⓖ HOLDER
- Ⓗ ДЕРЖАТЕЛЬ
- Ⓘ UCHWYT



VZ00014349



| Pos. | Part Number | Pcs. |
|------|-------------|------|
| 1 | VZ00014376 | 1 |
| 2 | VZ00014351 | 1 |
| 3 | VZ00008594 | 1 |
| 4 | VZ00008595 | 2 |
| 5 | VZ00014353 | 1 |
| 6 | VZ00010943 | 2 |
| 7 | VZ00010979 | 1 |
| 21 | m01316 | 2 |
| 22 | m04301 | 2 |
| 23 | m04503 | 6 |
| 24 | m13617 | 2 |
| 25 | m01214 | 2 |
| 26 | m14035 | 2 |
| 27 | m06859 | 2 |
| 28 | m08682 | 1 |
| 29 | m01131 | 2 |
| 30 | m09296 | 4 |
| 31 | m03931 | 2 |
| 32 | m09319 | 2 |
| 34 | m10593 | 2 |
| 35 | m21464 | 1 |

Ⓒ SADA TAŽNÉHO OKA

Ⓓ ZUGÖSESATZ

Ⓕ KIT DE L'ŒILLET DE TRACTION

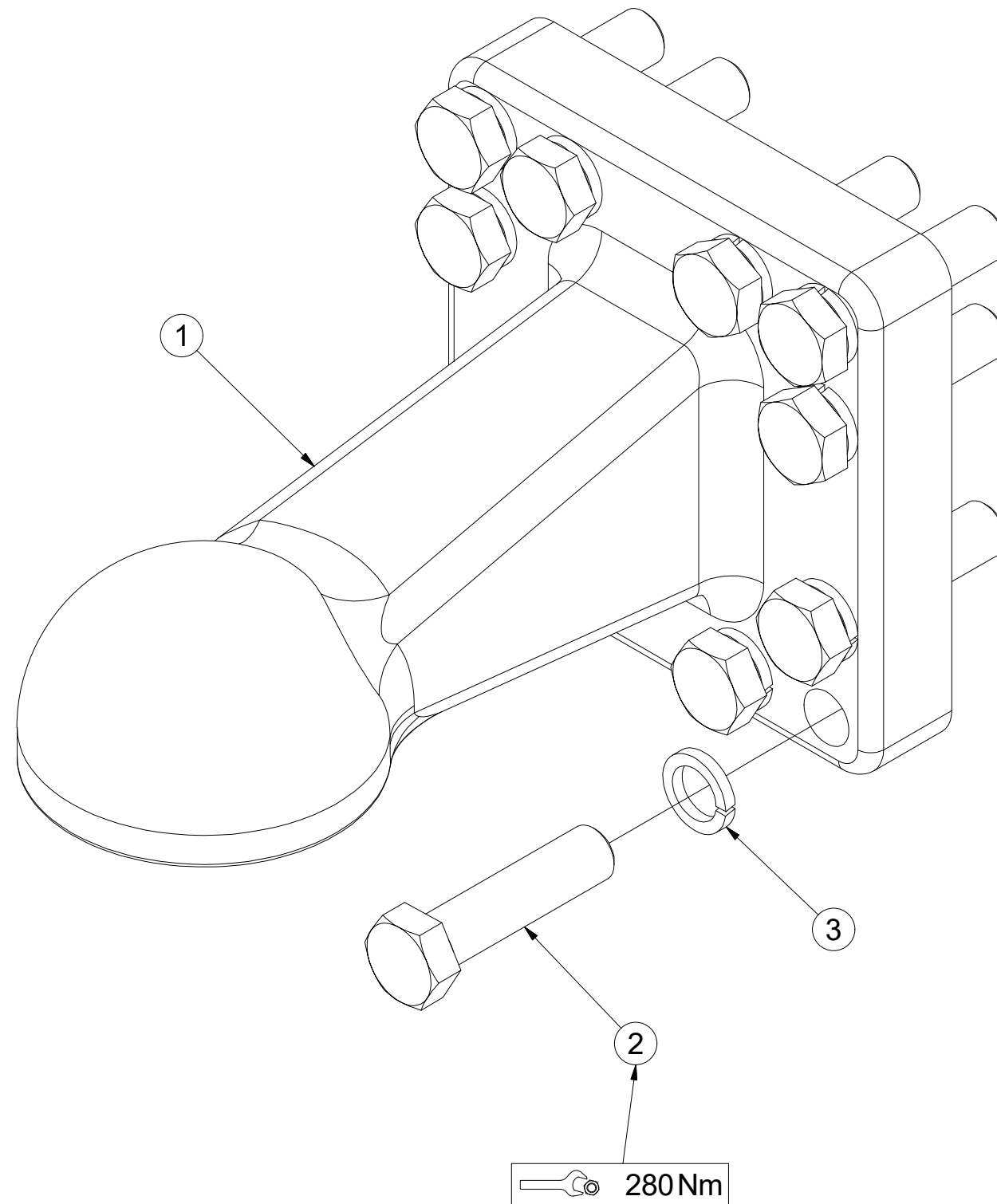
Ⓖ TOWING LUG SET

Ⓡ КОМПЛЕКТ ТЯГОВОГО ДЫШЛА

Ⓟ ZESTAW UCHA HOLOWNICZEGO



4023651



| Pos. | Part Number | Pcs. |
|------|-------------|------|
| 1 | m18297 | 1 |
| 2 | m11528 | 12 |
| 3 | m01229 | 12 |

ⒸZ TERČ PŘEDNÍ PRAVÝ

Ⓓ SCHILD, VORDERES, RECHTES

Ⓕ CIBLE AVANT DROITE

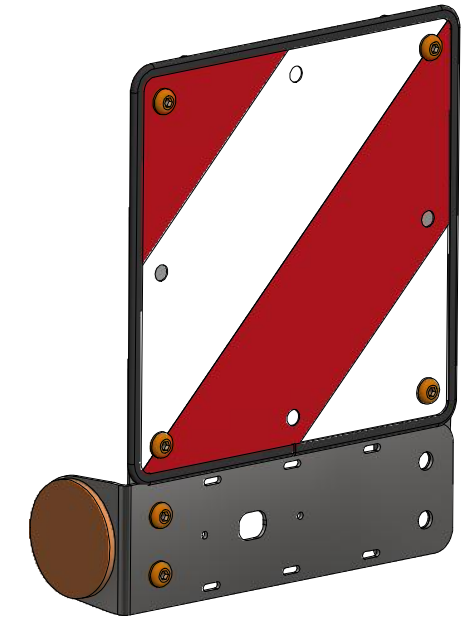
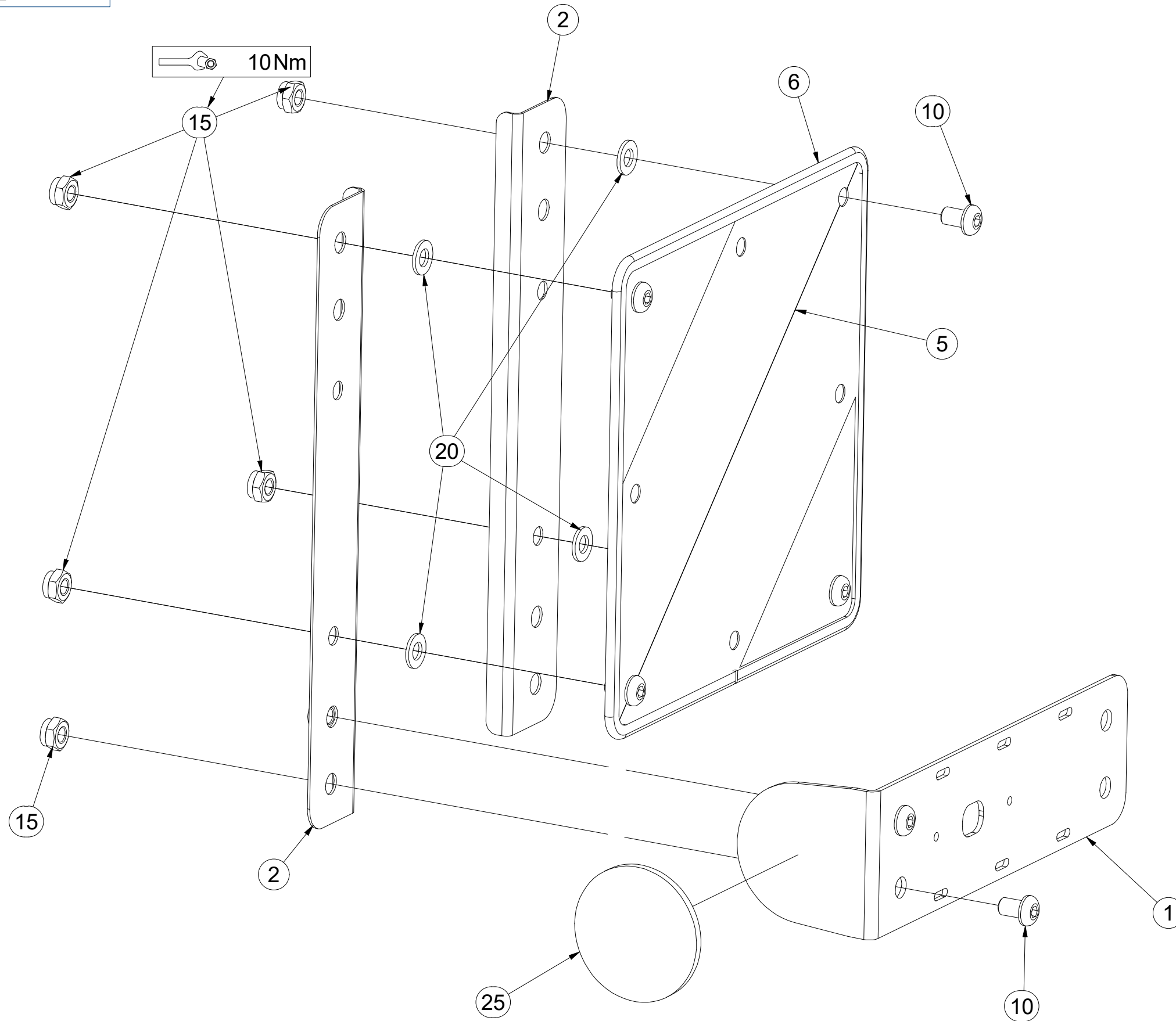
ⒼB RIGHT FRONT DISC

ⒶU ЩИТОК ПЕРЕДНИЙ ПРАВЫЙ

ⒶL TARCZA PRZEDNIA PRAWA



4024482



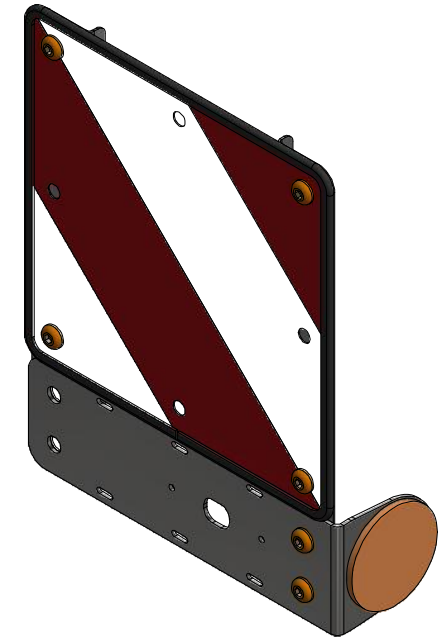
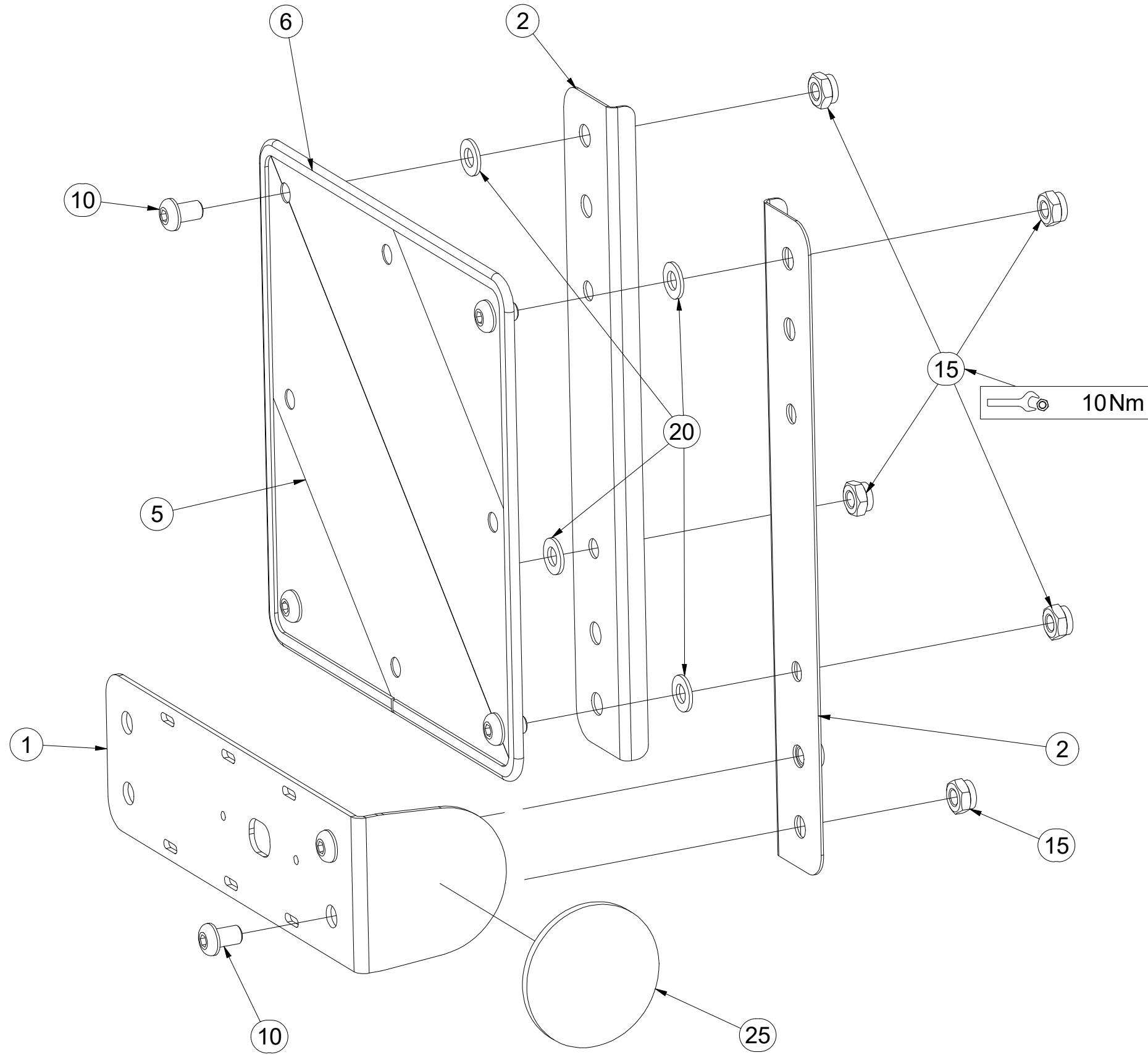
| Pos. | Part Number | Pcs. |
|------|-------------|------|
| 1 | 4024481 | 1 |
| 2 | 4024491 | 2 |
| 5 | m18855 | 1 |
| 6 | 9005707 | 1 |
| 10 | m16687 | 6 |
| 15 | m03775 | 6 |
| 20 | m01209 | 4 |
| 25 | m02579 | 1 |

CZ TERČ PŘEDNÍ LEVÝ
 D SCHILD, VORDERES, LINKES
 F CIBLE AVANT GAUCHE

GB LEFT FRONT DISC
 RU ЩИТОК ПЕРЕДНИЙ ЛЕВЫЙ
 PL TARCZA PRZEDNIA LEWA



4024484



| Pos. | Part Number | Pcs. |
|------|-------------|------|
| 1 | 4024481 | 1 |
| 2 | 4024491 | 2 |
| 5 | m18855 | 1 |
| 6 | 9005707 | 1 |
| 10 | m16687 | 6 |
| 15 | m03775 | 6 |
| 20 | m01209 | 4 |
| 25 | m02579 | 1 |

Ⓒ ZÁKLAD STROJE

Ⓓ UNTERBAU DER MASCHINE

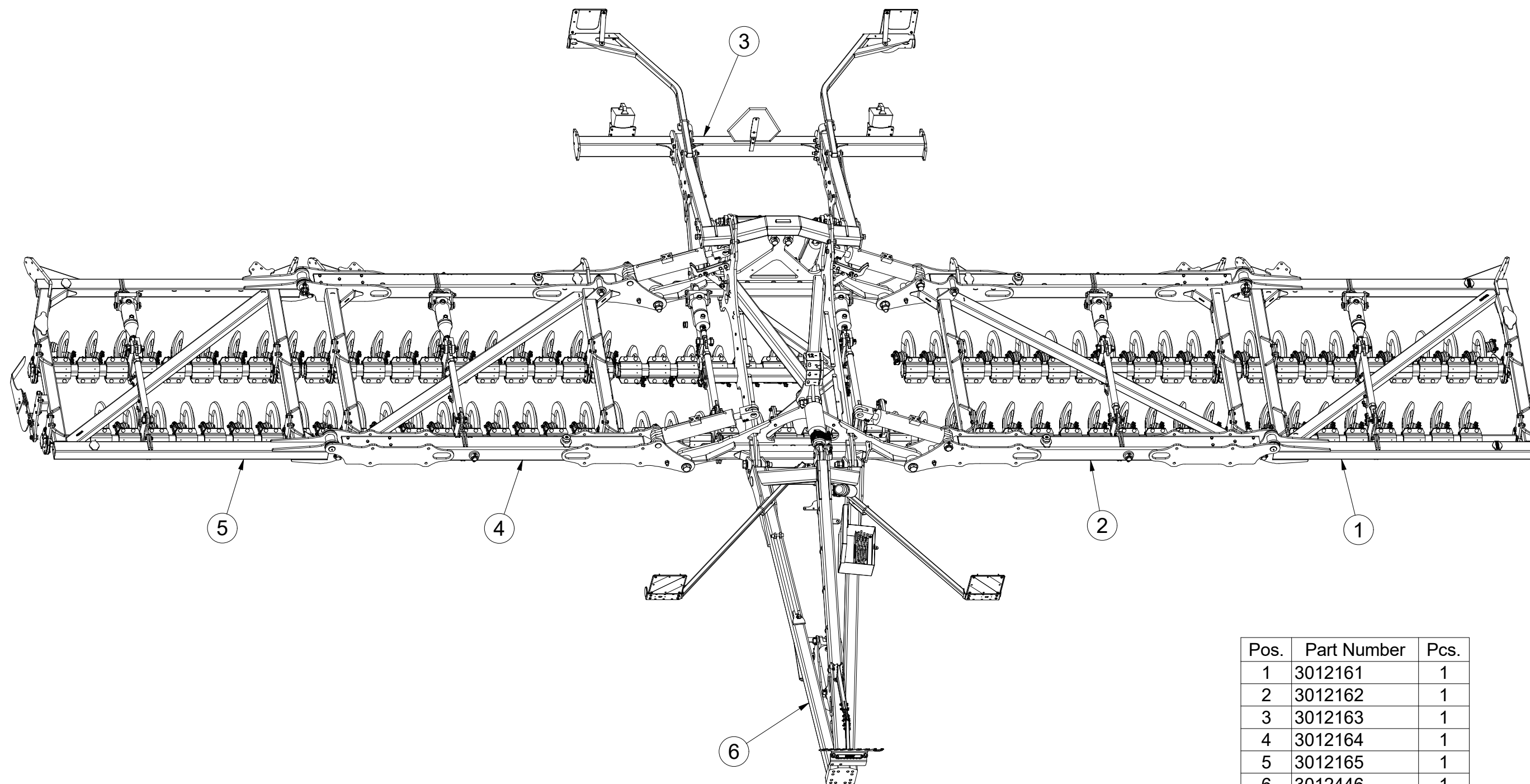
Ⓕ BÂTI DE LA MACHINE

3012160

Ⓖ FOOTING OF THE MACHINE

Ⓡ ОСНОВАНИЕ МАШИНЫ

Ⓢ PODSTAWA MASZyny



| Pos. | Part Number | Pcs. |
|------|-------------|------|
| 1 | 3012161 | 1 |
| 2 | 3012162 | 1 |
| 3 | 3012163 | 1 |
| 4 | 3012164 | 1 |
| 5 | 3012165 | 1 |
| 6 | 3012446 | 1 |

Ⓒ ZÁKLAD STROJE

Ⓓ UNTERBAU DER MASCHINE

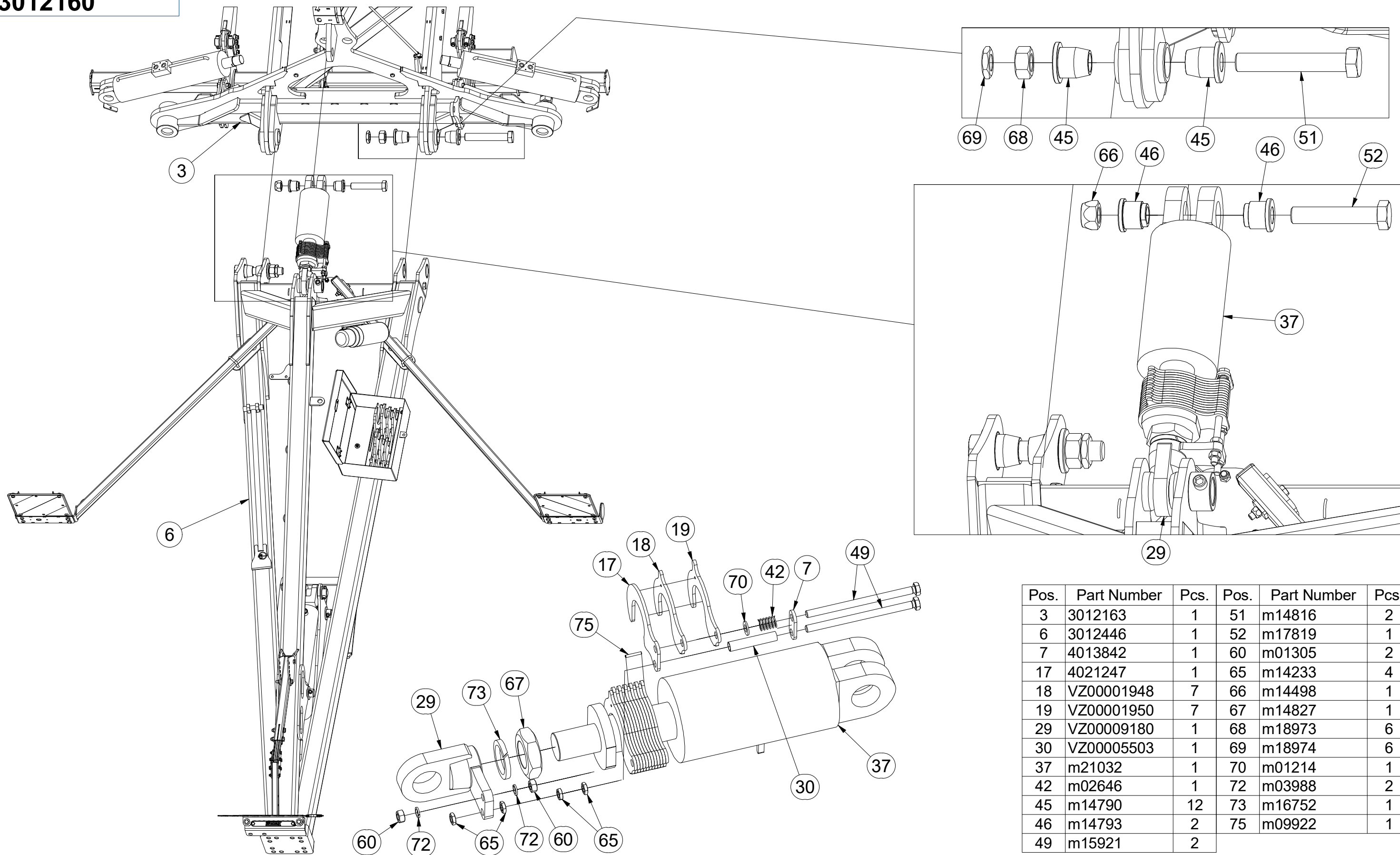
Ⓕ BÂTI DE LA MACHINE

3012160

Ⓖ FOOTING OF THE MACHINE

Ⓡ ОСНОВАНИЕ МАШИНЫ

Ⓢ PODSTAWA MASZYNY



| Pos. | Part Number | Pcs. | Pos. | Part Number | Pcs. |
|------|-------------|------|------|-------------|------|
| 3 | 3012163 | 1 | 51 | m14816 | 2 |
| 6 | 3012446 | 1 | 52 | m17819 | 1 |
| 7 | 4013842 | 1 | 60 | m01305 | 2 |
| 17 | 4021247 | 1 | 65 | m14233 | 4 |
| 18 | VZ00001948 | 7 | 66 | m14498 | 1 |
| 19 | VZ00001950 | 7 | 67 | m14827 | 1 |
| 29 | VZ00009180 | 1 | 68 | m18973 | 6 |
| 30 | VZ00005503 | 1 | 69 | m18974 | 6 |
| 37 | m21032 | 1 | 70 | m01214 | 1 |
| 42 | m02646 | 1 | 72 | m03988 | 2 |
| 45 | m14790 | 12 | 73 | m16752 | 1 |
| 46 | m14793 | 2 | 75 | m09922 | 1 |
| 49 | m15921 | 2 | | | |

☉ ZÁKLAD STROJE

☐ UNTERBAU DER MASCHINE

☐ BÂTI DE LA MACHINE

3012160

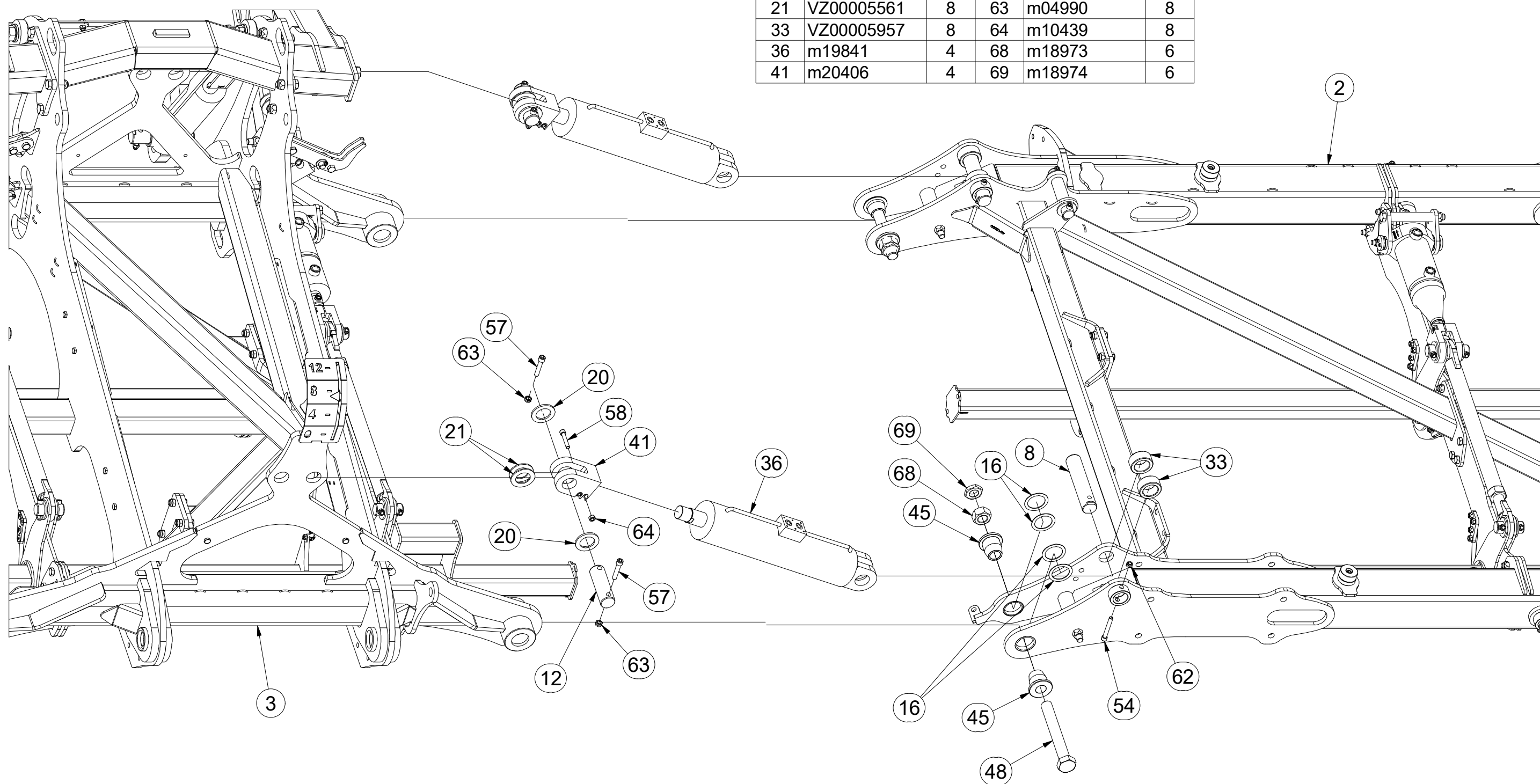
☉ FOOTING OF THE MACHINE

☉ ОСНОВАНИЕ МАШИНЫ

☉ PODSTAWA MASZYNY



| Pos. | Part Number | Pcs. | Pos. | Part Number | Pcs. |
|------|-------------|------|------|-------------|------|
| 2 | 3012162 | 1 | 45 | m14790 | 12 |
| 3 | 3012163 | 1 | 48 | m16146 | 4 |
| 8 | 4022245 | 4 | 54 | m11032 | 4 |
| 12 | VZ00006008 | 4 | 57 | m13957 | 8 |
| 16 | 4018178 | 16 | 58 | m14867 | 8 |
| 20 | 4015687 | 8 | 62 | m04301 | 12 |
| 21 | VZ00005561 | 8 | 63 | m04990 | 8 |
| 33 | VZ00005957 | 8 | 64 | m10439 | 8 |
| 36 | m19841 | 4 | 68 | m18973 | 6 |
| 41 | m20406 | 4 | 69 | m18974 | 6 |



Ⓒ ZÁKLAD STROJE

Ⓓ UNTERBAU DER MASCHINE

Ⓕ BÂTI DE LA MACHINE

Ⓖ FOOTING OF THE MACHINE

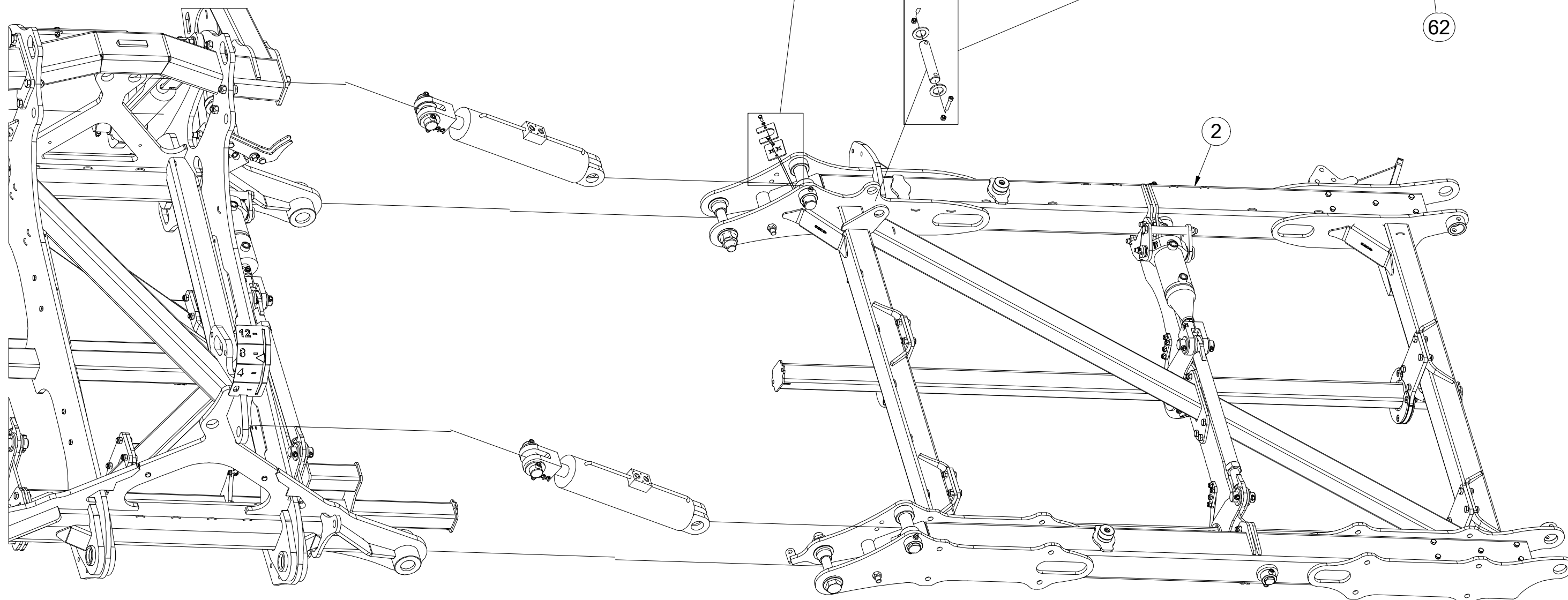
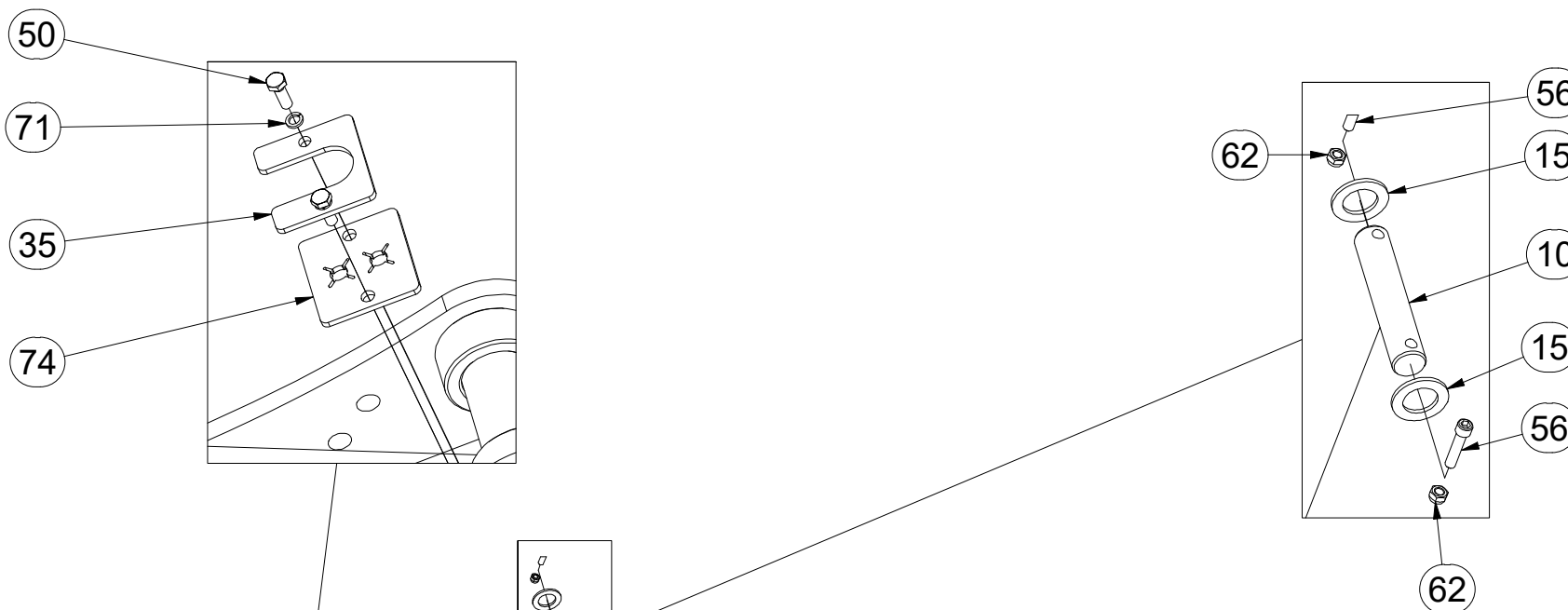
Ⓡ ОСНОВАНИЕ МАШИНЫ

Ⓟ PODSTAWA MASZyny



3012160

| Pos. | Part Number | Pcs. | Pos. | Part Number | Pcs. |
|------|-------------|------|------|-------------|------|
| 2 | 3012162 | 1 | 56 | m14008 | 8 |
| 10 | 4014570 | 2 | 62 | m04301 | 12 |
| 15 | 4013139 | 8 | 71 | m01202 | 8 |
| 35 | VZ00010338 | 4 | 74 | m16371 | 4 |
| 50 | m01092 | 8 | | | |



Ⓒ ZÁKLAD STROJE

Ⓓ UNTERBAU DER MASCHINE

Ⓕ BÂTI DE LA MACHINE

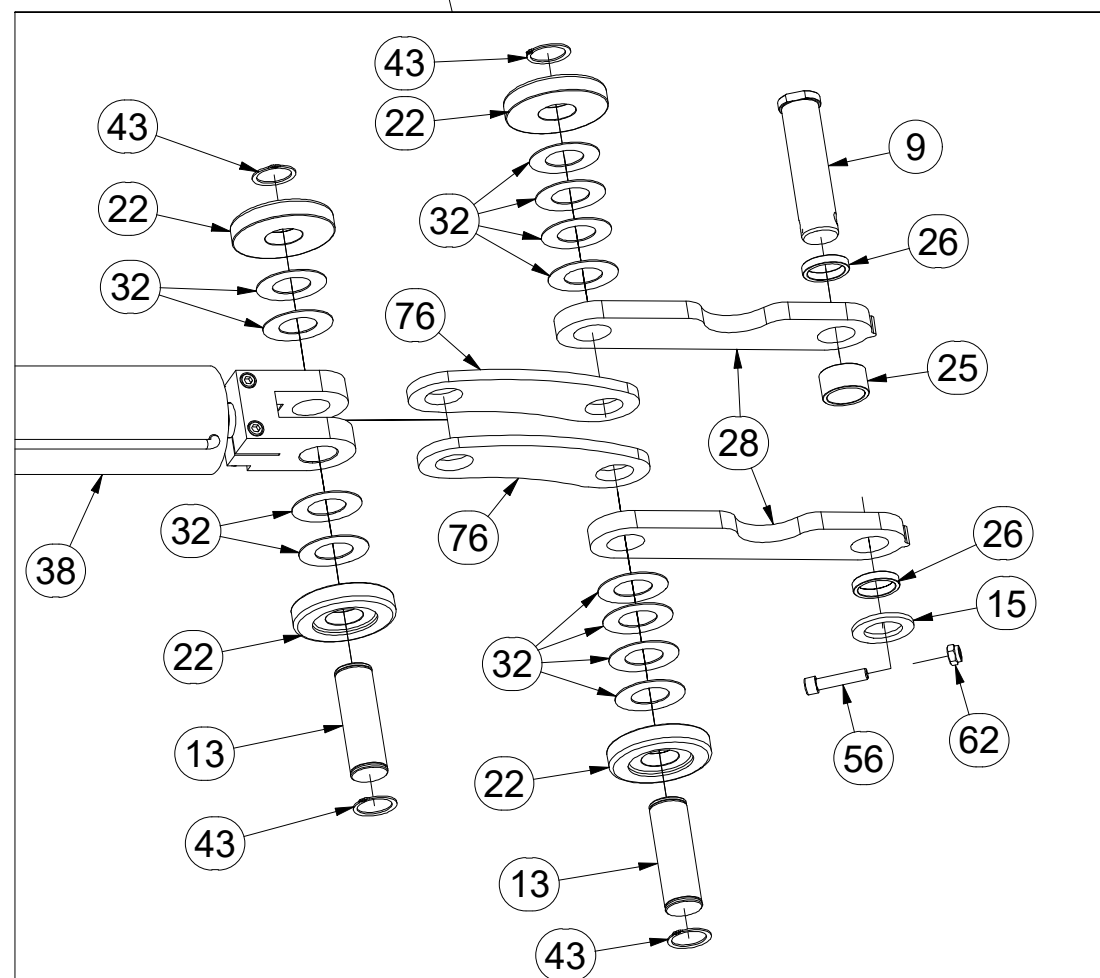
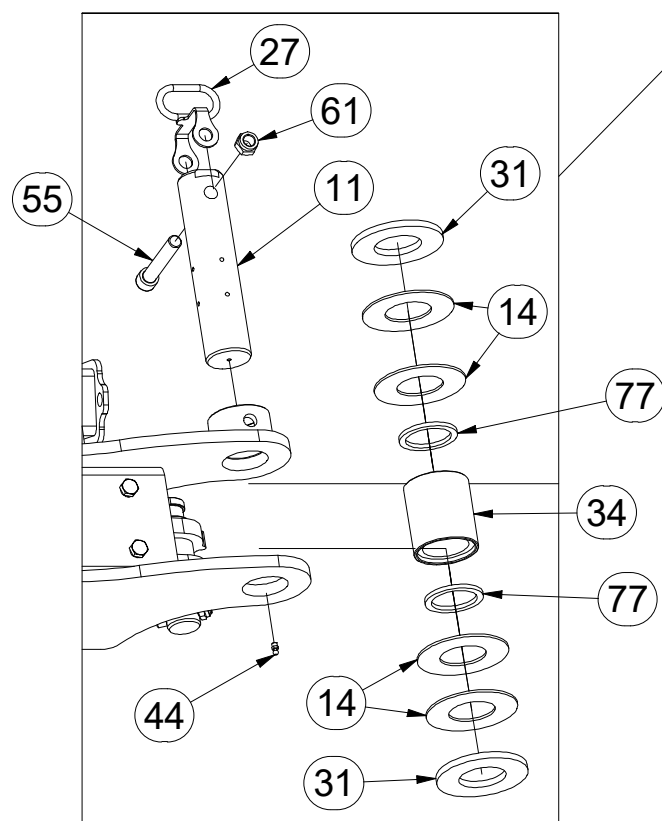
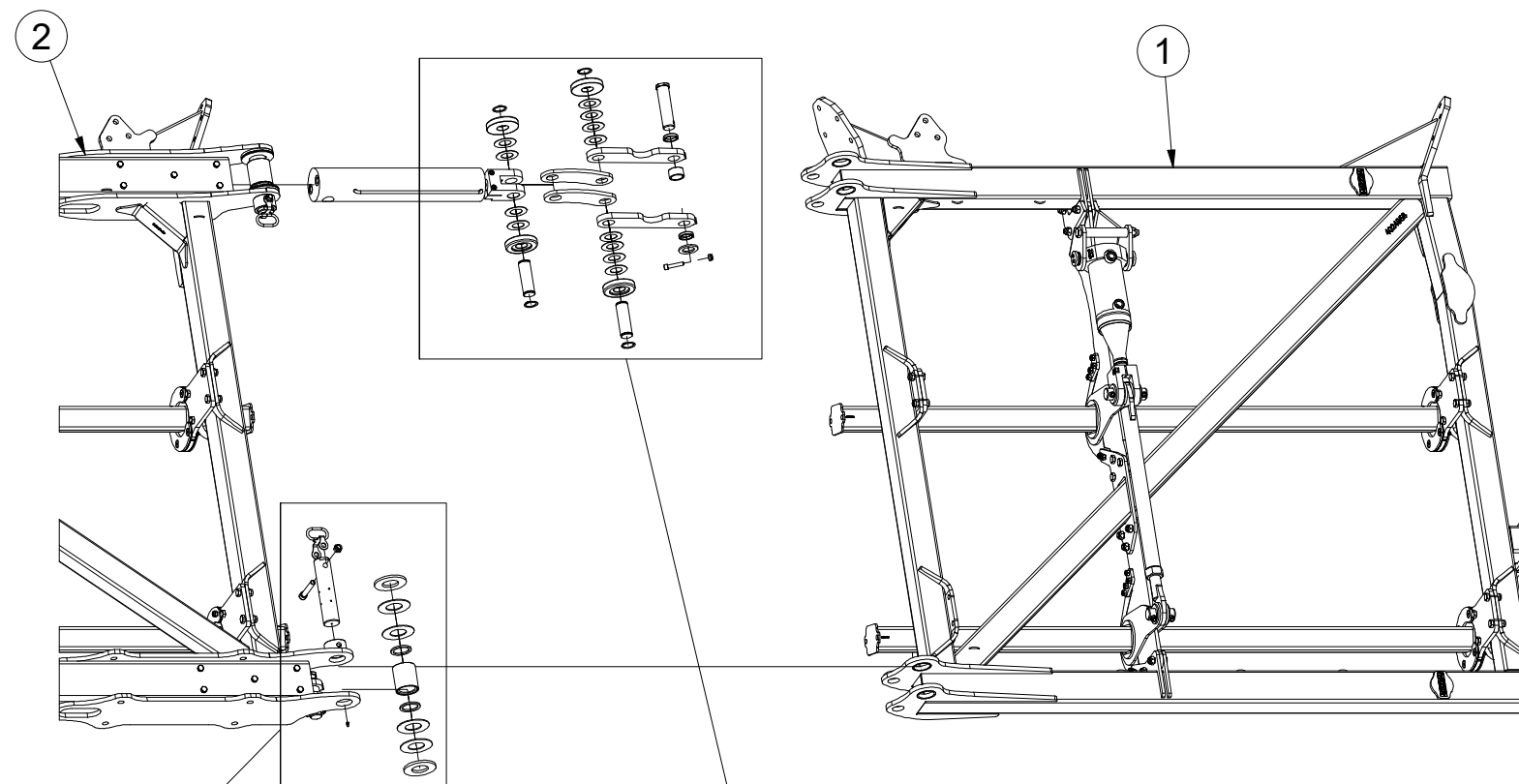
Ⓖ FOOTING OF THE MACHINE

Ⓡ ОСНОВАНИЕ МАШИНЫ

Ⓢ PODSTAWA MASZyny



3012160



| Pos. | Part Number | Pcs. |
|------|-------------|------|
| 1 | 3012161 | 1 |
| 2 | 3012162 | 1 |
| 9 | 4022364 | 4 |
| 11 | VZ00009313 | 4 |
| 13 | 4015270 | 8 |
| 14 | 4015477 | 16 |
| 15 | 4013139 | 8 |
| 22 | 4022512 | 16 |
| 25 | 4025399 | 4 |
| 26 | 4026197 | 8 |
| 27 | 4025410 | 4 |
| 28 | VZ00011050 | 8 |
| 31 | 4022299 | 8 |
| 32 | 4022524 | 48 |
| 34 | VZ00009295 | 4 |
| 38 | m17765 | 4 |
| 43 | m03348 | 16 |
| 44 | m01725 | 4 |
| 55 | m13645 | 4 |
| 56 | m14008 | 8 |
| 61 | m03683 | 4 |
| 62 | m04301 | 12 |
| 76 | VZ00011058 | 8 |
| 77 | m21428 | 8 |

☉ ZÁKLAD STROJE

☉ UNTERBAU DER MASCHINE

☉ BÂTI DE LA MACHINE

☉ FOOTING OF THE MACHINE

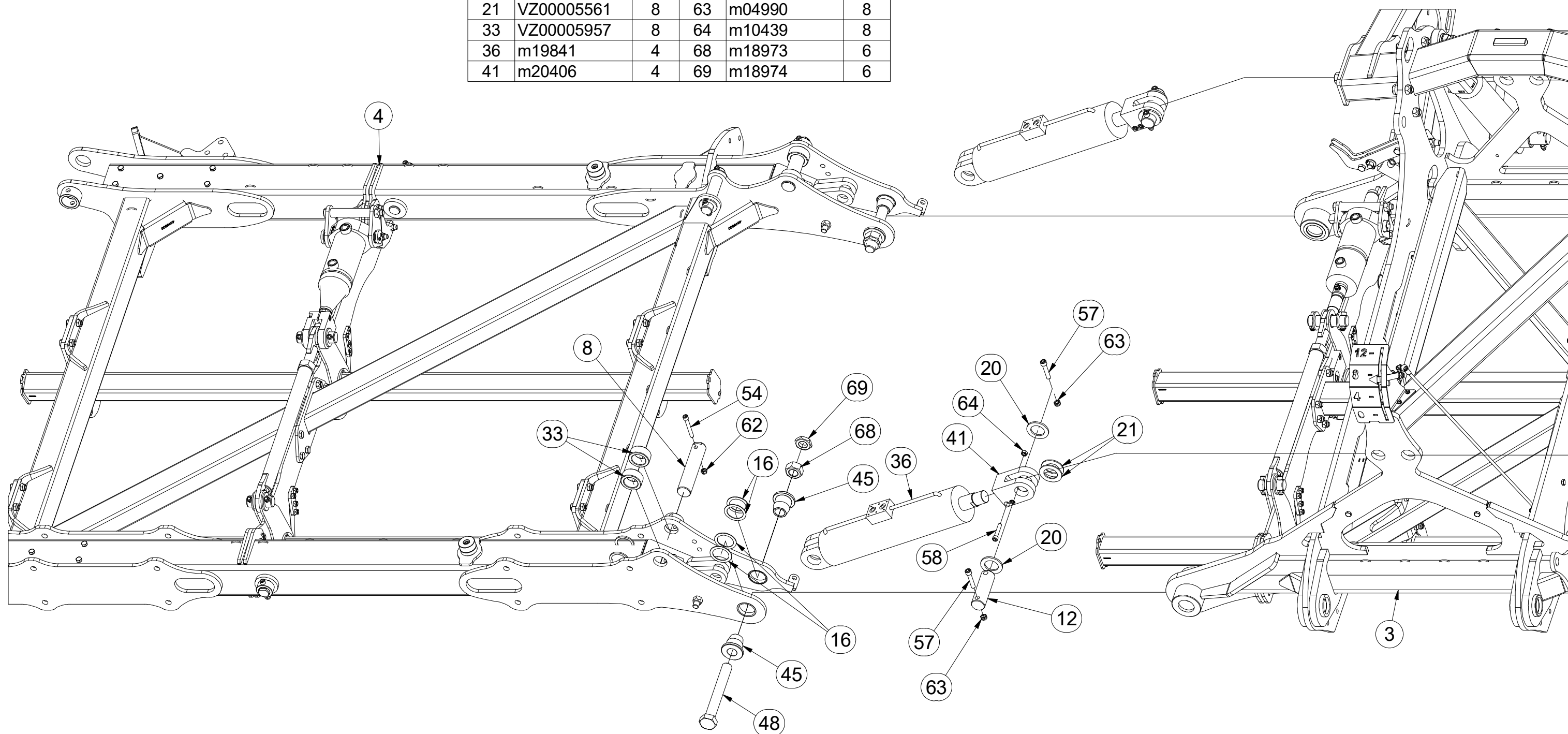
☉ ОСНОВАНИЕ МАШИНЫ

☉ PODSTAWA MASZYNY



3012160

| Pos. | Part Number | Pcs. | Pos. | Part Number | Pcs. |
|------|-------------|------|------|-------------|------|
| 3 | 3012163 | 1 | 45 | m14790 | 12 |
| 4 | 3012164 | 1 | 48 | m16146 | 4 |
| 8 | 4022245 | 4 | 54 | m11032 | 4 |
| 12 | VZ00006008 | 4 | 57 | m13957 | 8 |
| 16 | 4018178 | 16 | 58 | m14867 | 8 |
| 20 | 4015687 | 8 | 62 | m04301 | 12 |
| 21 | VZ00005561 | 8 | 63 | m04990 | 8 |
| 33 | VZ00005957 | 8 | 64 | m10439 | 8 |
| 36 | m19841 | 4 | 68 | m18973 | 6 |
| 41 | m20406 | 4 | 69 | m18974 | 6 |



☉ ZÁKLAD STROJE

☐ UNTERBAU DER MASCHINE

☐ BÂTI DE LA MACHINE

☉ FOOTING OF THE MACHINE

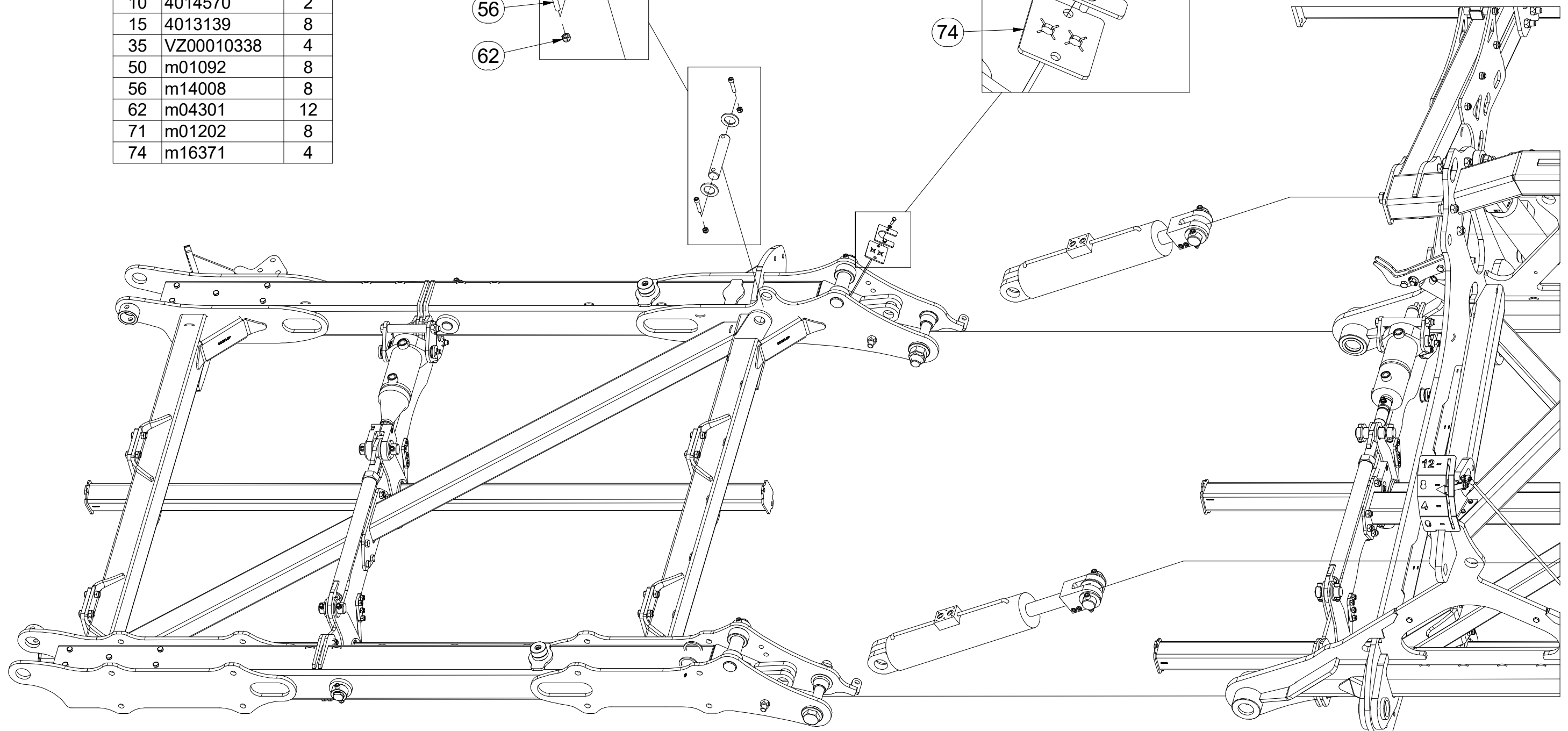
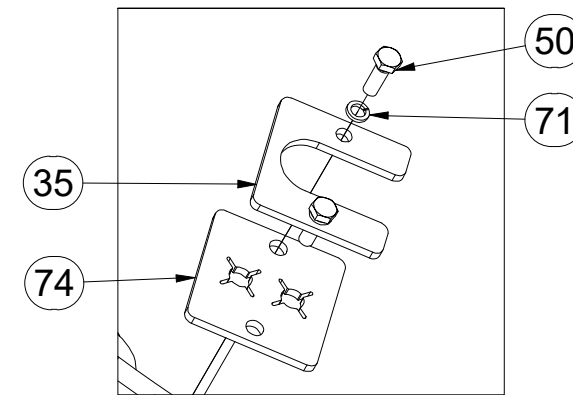
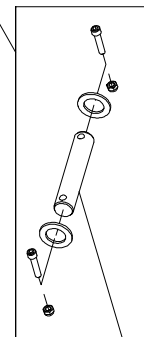
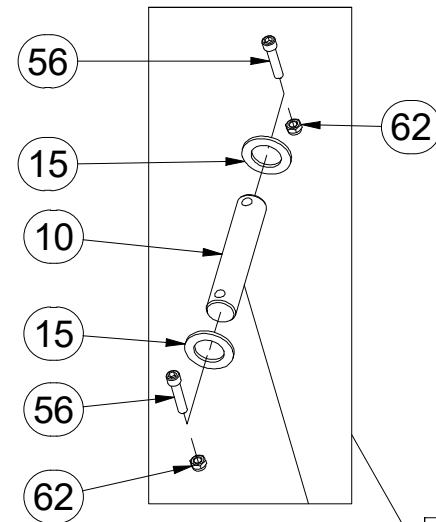
☐ ОСНОВАНИЕ МАШИНЫ

☐ PODSTAWA MASZINY



3012160

| Pos. | Part Number | Pcs. |
|------|-------------|------|
| 10 | 4014570 | 2 |
| 15 | 4013139 | 8 |
| 35 | VZ00010338 | 4 |
| 50 | m01092 | 8 |
| 56 | m14008 | 8 |
| 62 | m04301 | 12 |
| 71 | m01202 | 8 |
| 74 | m16371 | 4 |



☉ ZÁKLAD STROJE

☉ UNTERBAU DER MASCHINE

☉ BÂTI DE LA MACHINE

☉ FOOTING OF THE MACHINE

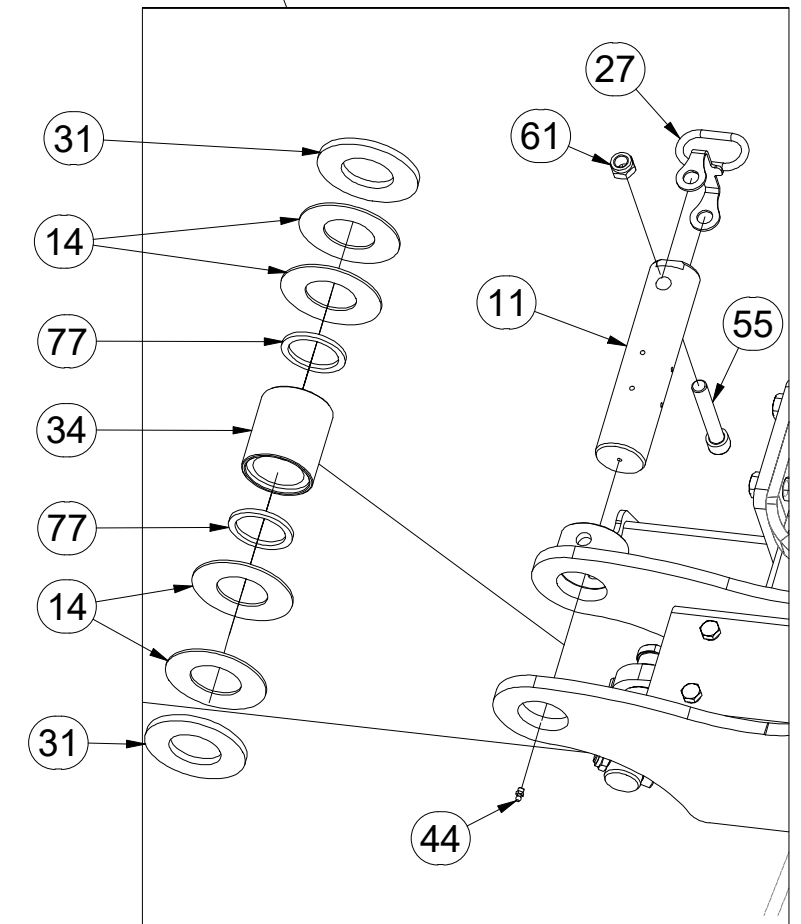
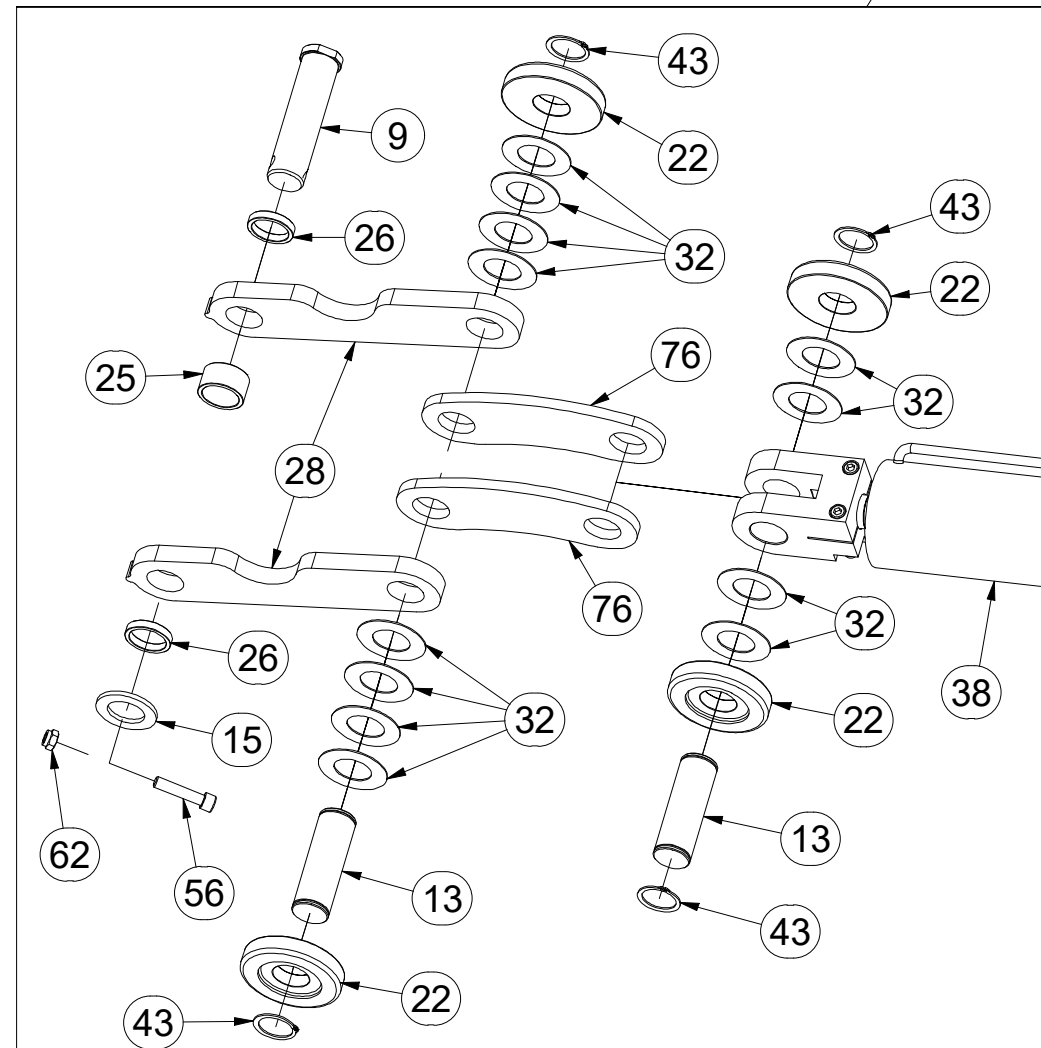
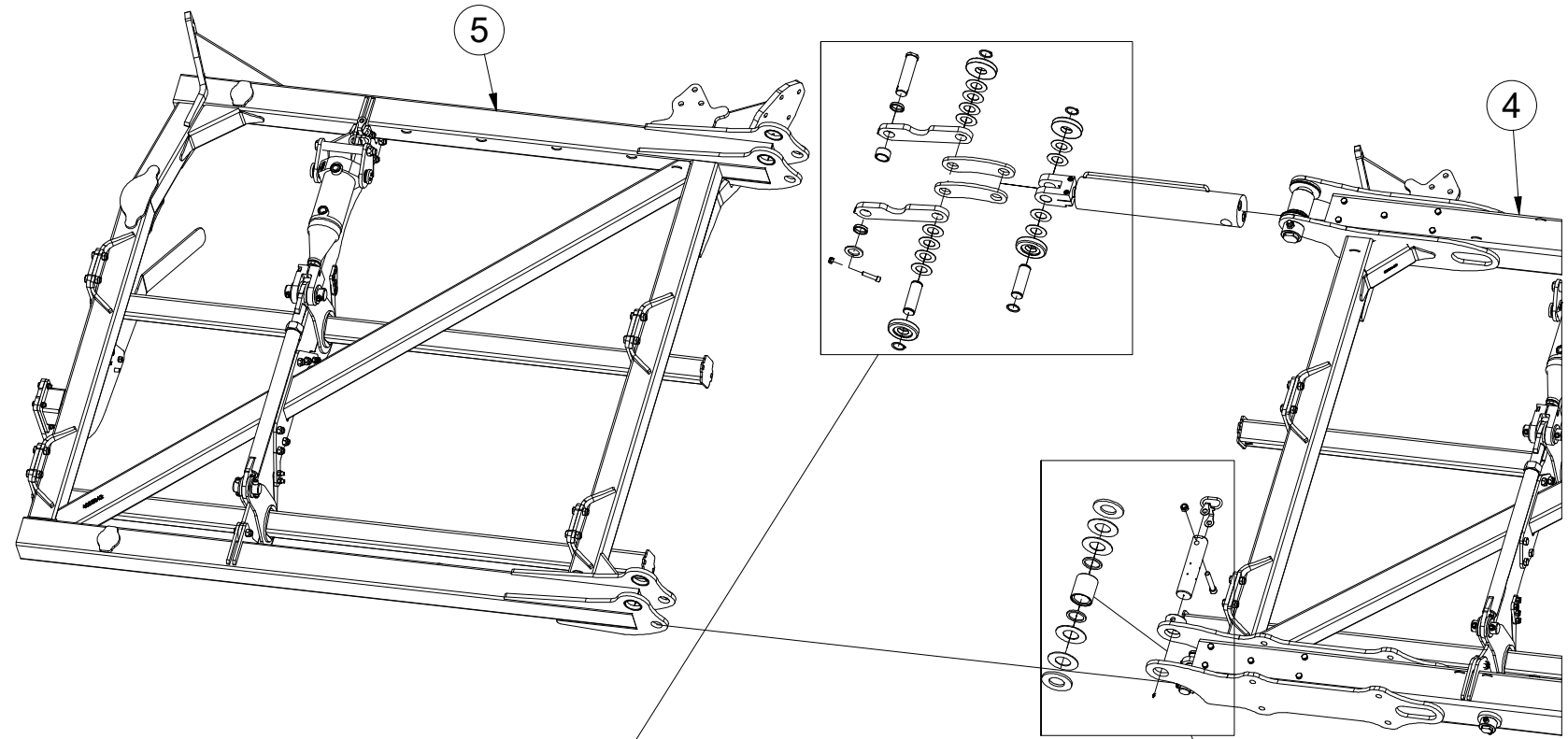
☉ ОСНОВАНИЕ МАШИНЫ

☉ PODSTAWA MASZyny



3012160

| Pos. | Part Number | Pcs. |
|------|-------------|------|
| 4 | 3012164 | 1 |
| 5 | 3012165 | 1 |
| 9 | 4022364 | 4 |
| 11 | VZ00009313 | 4 |
| 13 | 4015270 | 8 |
| 14 | 4015477 | 16 |
| 15 | 4013139 | 8 |
| 22 | 4022512 | 16 |
| 25 | 4025399 | 4 |
| 26 | 4026197 | 8 |
| 27 | 4025410 | 4 |
| 28 | VZ00011050 | 8 |
| 31 | 4022299 | 8 |
| 32 | 4022524 | 48 |
| 34 | VZ00009295 | 4 |
| 38 | m17765 | 4 |
| 43 | m03348 | 16 |
| 44 | m01725 | 4 |
| 55 | m13645 | 4 |
| 56 | m14008 | 8 |
| 61 | m03683 | 4 |
| 62 | m04301 | 12 |
| 76 | VZ00011058 | 8 |
| 77 | m21428 | 8 |



Ⓒ RÁM LEVÝ - KRAJNÍ

Ⓓ LINKER RAHMEN - AM RAND

Ⓕ CHASSIS GAUCHE - D'EXTREMITE RAMA

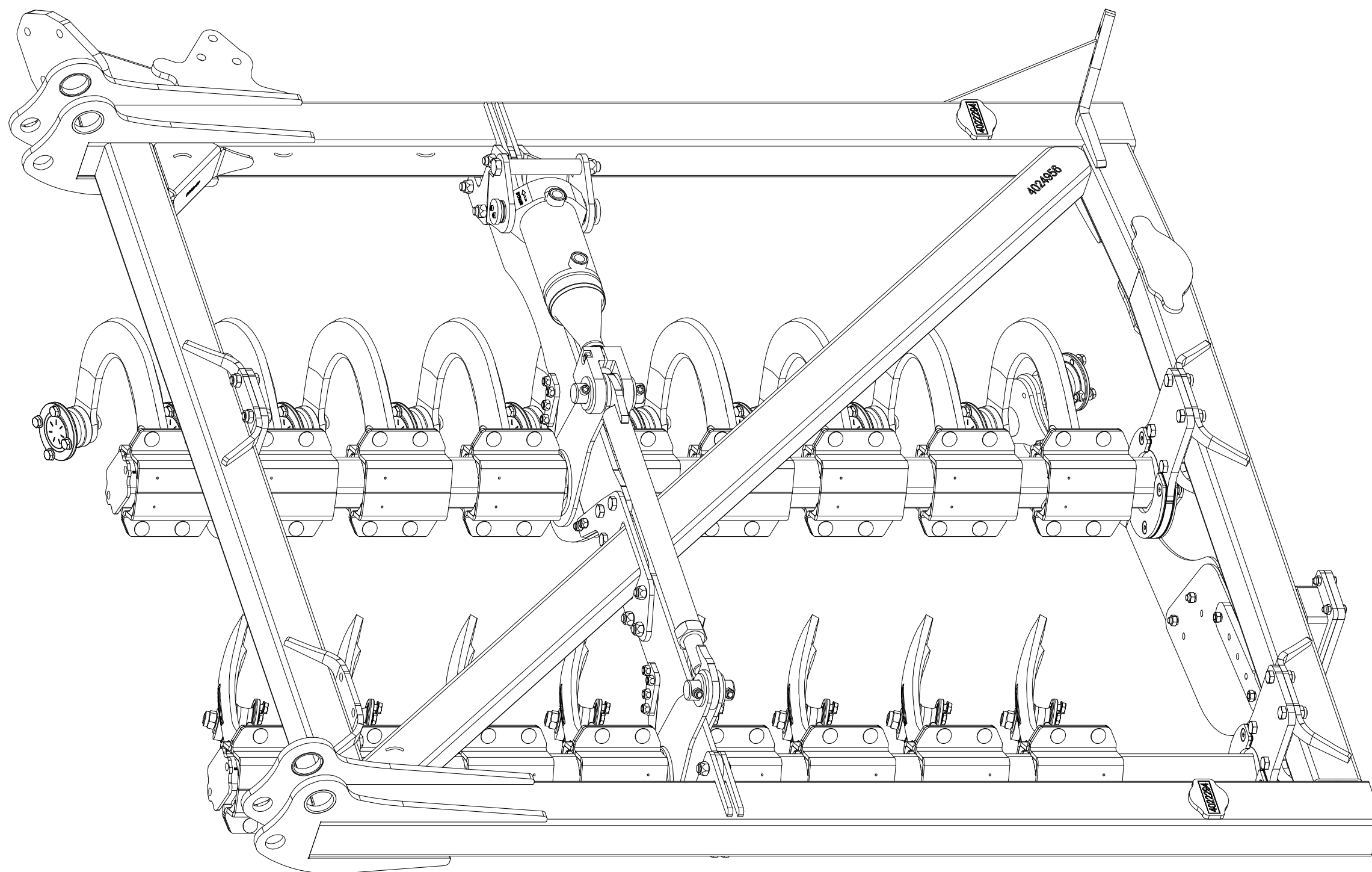
Ⓖ LEFT FRAME - OUTER

Ⓡ РАМА ЛЕВАЯ - КРАЙНЯЯ

Ⓟ RAMA LEWA - SKRAJNA

Farmet

3012161



Ⓒ RÁM LEVÝ - KRAJNÍ

Ⓓ LINKER RAHMEN - AM RAND

Ⓕ CHASSIS GAUCHE - D'EXTREMITE RAMA

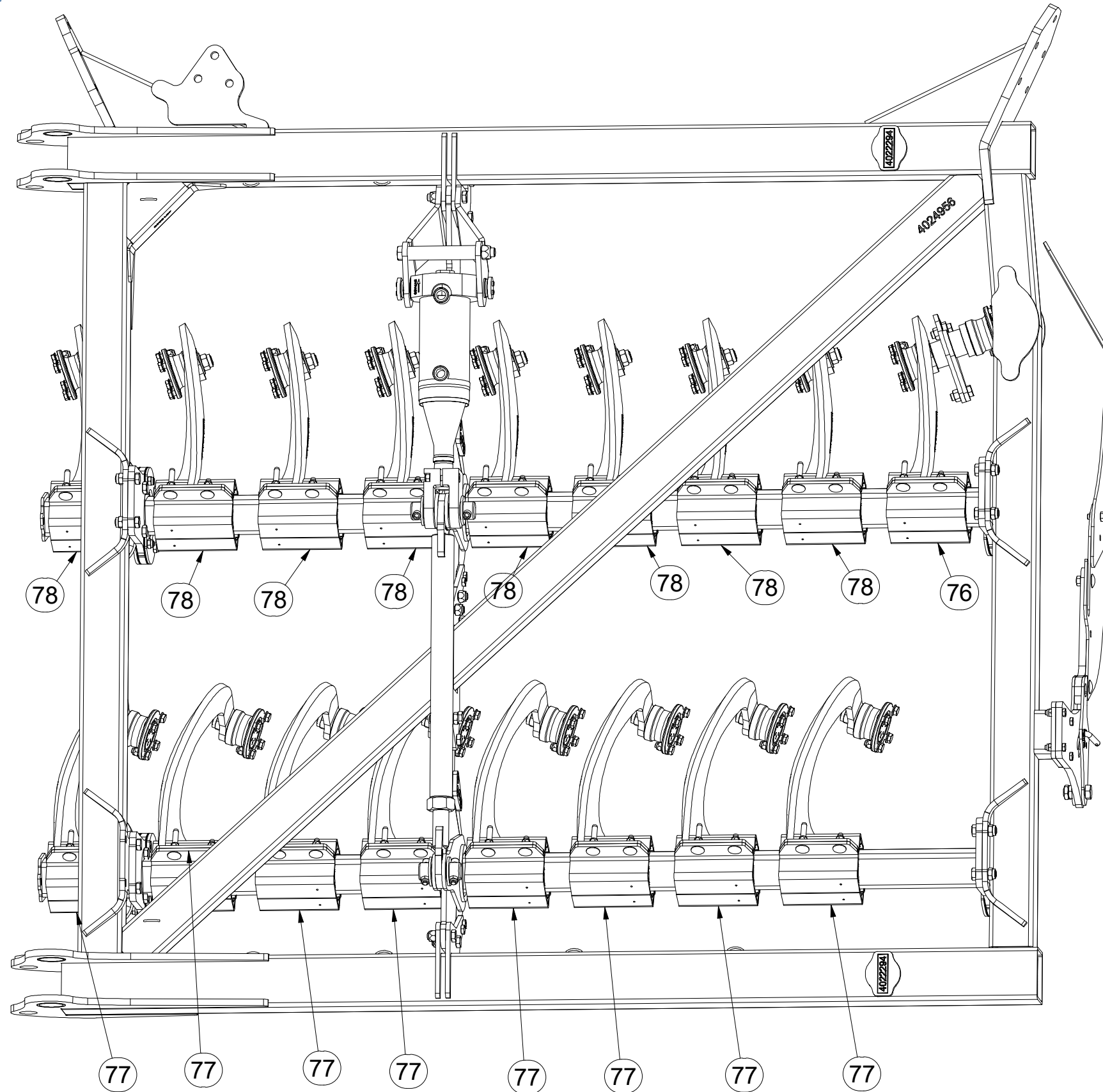
Ⓖ LEFT FRAME - OUTER

Ⓡ РАМА ЛЕВАЯ - КРАЙНЯЯ

Ⓟ RAMA LEWA - SKRAJNA



3012161



| Pos. | Part Number | Pcs. |
|------|-------------|------|
| 76 | 3012348 | 1 |
| 77 | 3012530 | 8 |
| 78 | 3012533 | 8 |

ⒸZ RÁM LEVÝ - KRAJNÍ

Ⓓ LINKER RAHMEN - AM RAND

Ⓕ CHASSIS GAUCHE - D'EXTREMITE RAMA

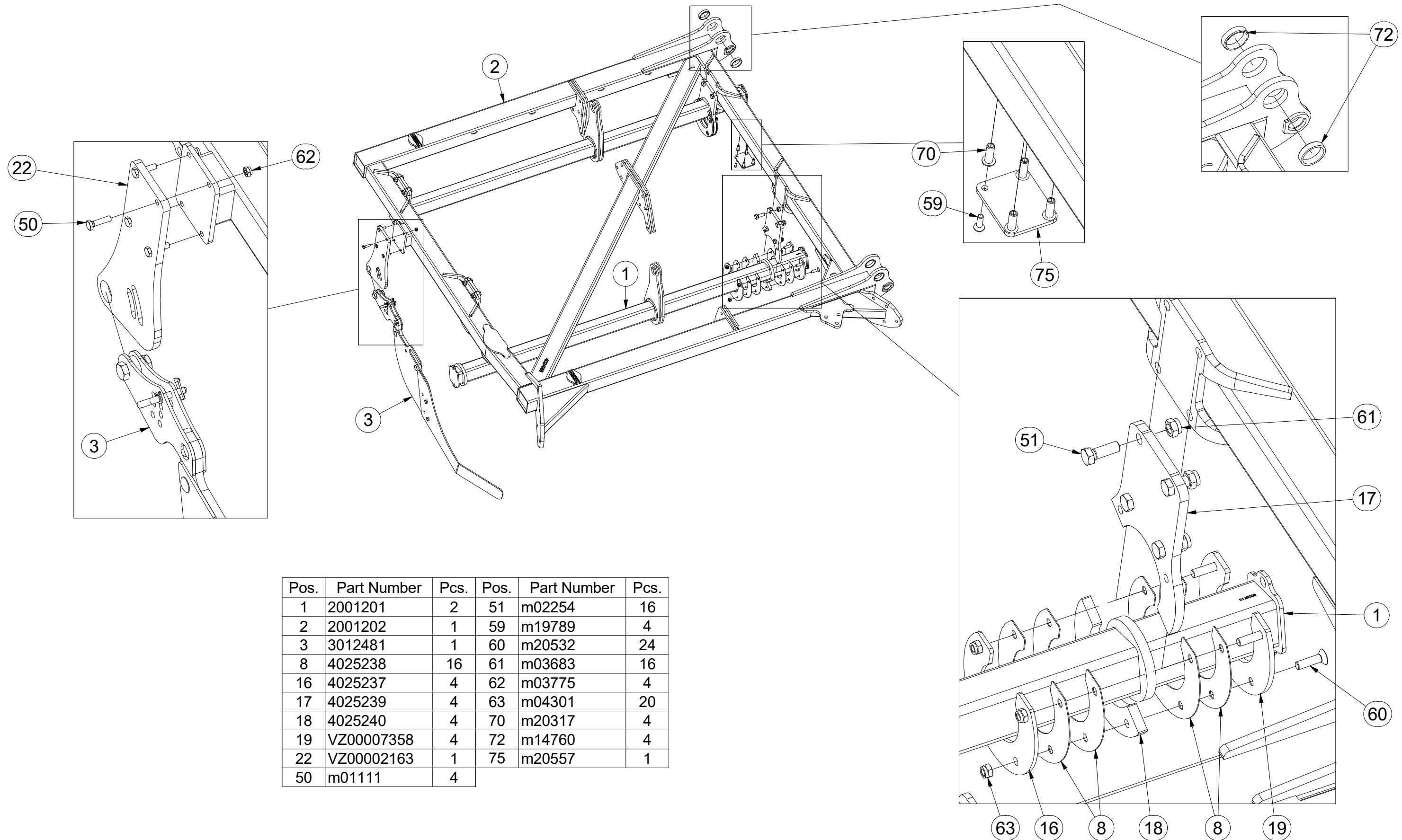
ⒼB LEFT FRAME - OUTER

Ⓔ RU РАМА ЛЕВАЯ - КРАЙНЯЯ

ⒼL RAMA LEWA - SKRAJNA



3012161



| Pos. | Part Number | Pcs. | Pos. | Part Number | Pcs. |
|------|-------------|------|------|-------------|------|
| 1 | 2001201 | 2 | 51 | m02254 | 16 |
| 2 | 2001202 | 1 | 59 | m19789 | 4 |
| 3 | 3012481 | 1 | 60 | m20532 | 24 |
| 8 | 4025238 | 16 | 61 | m03683 | 16 |
| 16 | 4025237 | 4 | 62 | m03775 | 4 |
| 17 | 4025239 | 4 | 63 | m04301 | 20 |
| 18 | 4025240 | 4 | 70 | m20317 | 4 |
| 19 | VZ00007358 | 4 | 72 | m14760 | 4 |
| 22 | VZ00002163 | 1 | 75 | m20557 | 1 |
| 50 | m01111 | 4 | | | |

Ⓒ RÁM LEVÝ - KRAJNÍ

Ⓓ LINKER RAHMEN - AM RAND

Ⓕ CHASSIS GAUCHE - D'EXTREMITÉ RAMA

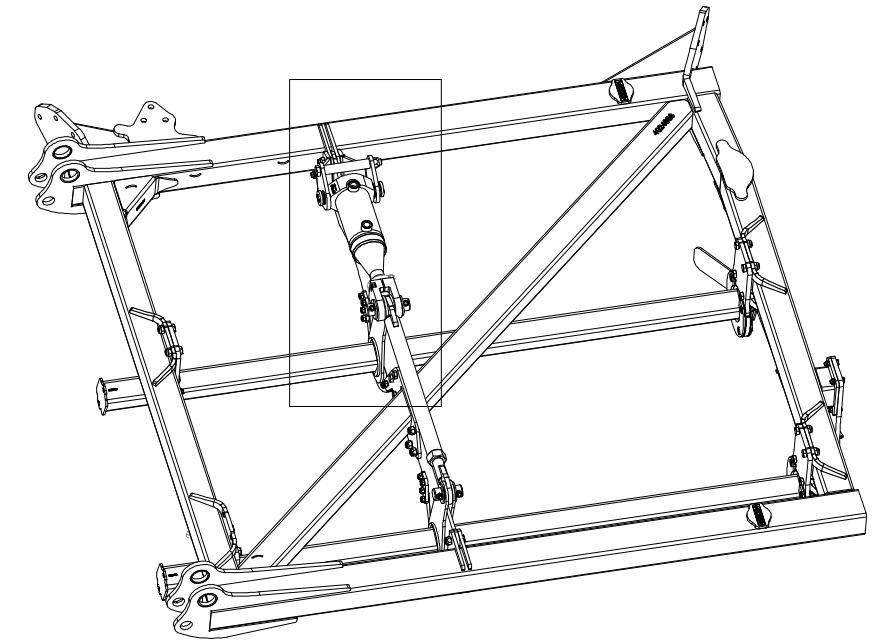
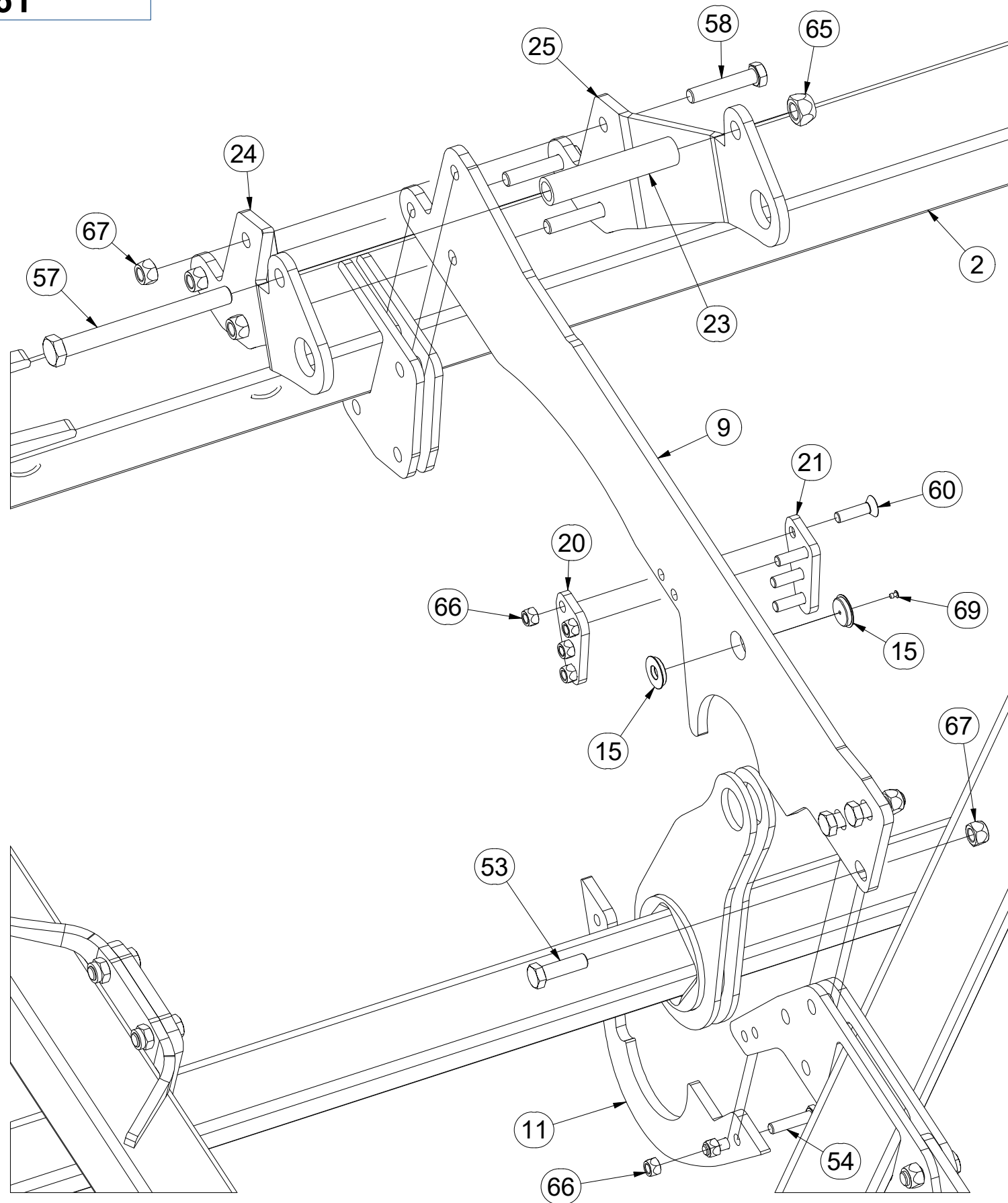
Ⓖ LEFT FRAME - OUTER

Ⓡ РАМА ЛЕВАЯ - КРАЙНЯЯ

Ⓢ RAMA LEWA - SKRAJNA



3012161



| Pos. | Part Number | Pcs. | Pos. | Part Number | Pcs. |
|------|-------------|------|------|-------------|------|
| 2 | 2001202 | 1 | 53 | m10112 | 9 |
| 9 | 4024987 | 1 | 54 | m11579 | 4 |
| 11 | 4024992 | 1 | 57 | m17543 | 1 |
| 15 | 4025155 | 4 | 58 | m18019 | 3 |
| 20 | 4025020 | 2 | 60 | m20532 | 24 |
| 21 | VZ00007326 | 2 | 65 | m11169 | 1 |
| 23 | VZ00009331 | 1 | 66 | m12134 | 12 |
| 24 | VZ00009851 | 1 | 67 | m13846 | 12 |
| 25 | VZ00009852 | 1 | 69 | m05587 | 2 |

ⒸZ RÁM LEVÝ - KRAJNÍ

Ⓓ LINKER RAHMEN - AM RAND

Ⓕ CHASSIS GAUCHE - D'EXTREMITE RAMA

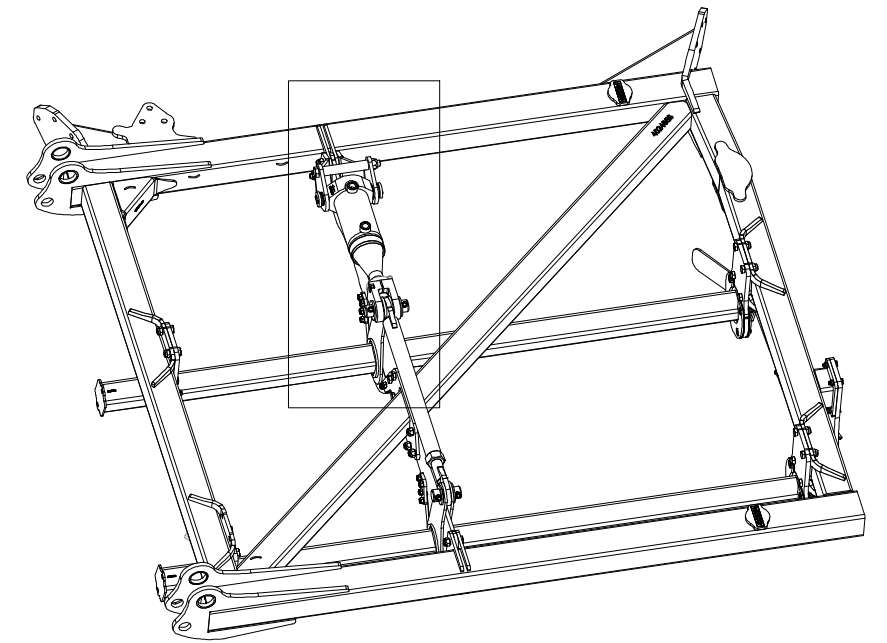
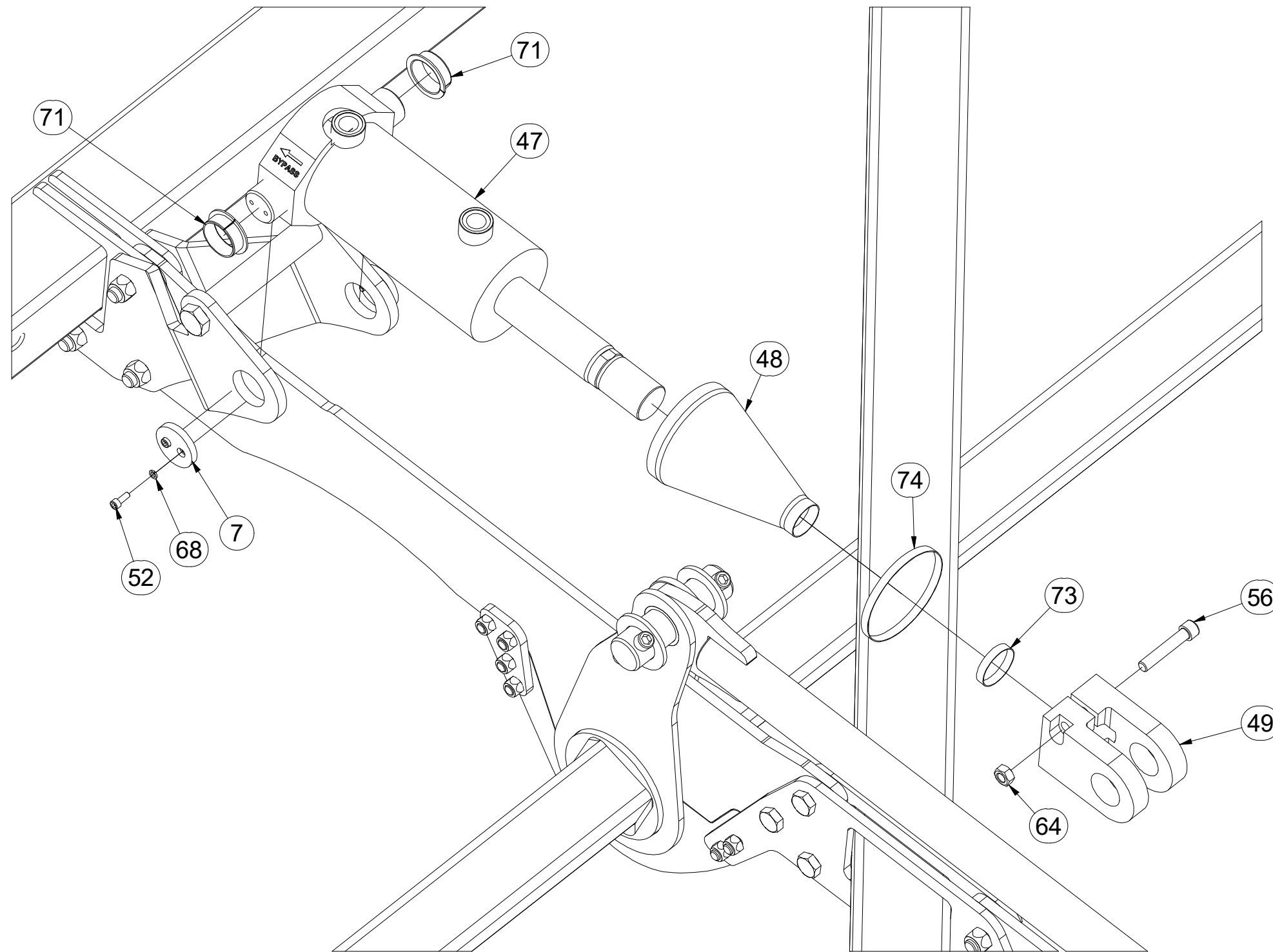
ⒸB LEFT FRAME - OUTER

ⒸU РАМА ЛЕВАЯ - КРАЙНЯЯ

ⒸL RAMA LEWA - SKRAJNA



3012161



| Pos. | Part Number | Pcs. |
|------|-------------|------|
| 7 | 4019408 | 2 |
| 47 | m20396 | 1 |
| 48 | m19897 | 1 |
| 49 | m19146 | 1 |
| 52 | m05303 | 4 |
| 56 | m14867 | 1 |
| 64 | m10439 | 1 |
| 68 | m01200 | 4 |
| 71 | m14755 | 2 |
| 73 | m05890 | 1 |
| 74 | m17208 | 1 |

Ⓒ RÁM LEVÝ - KRAJNÍ

Ⓓ LINKER RAHMEN - AM RAND

Ⓕ CHASSIS GAUCHE - D'EXTREMITE RAMA

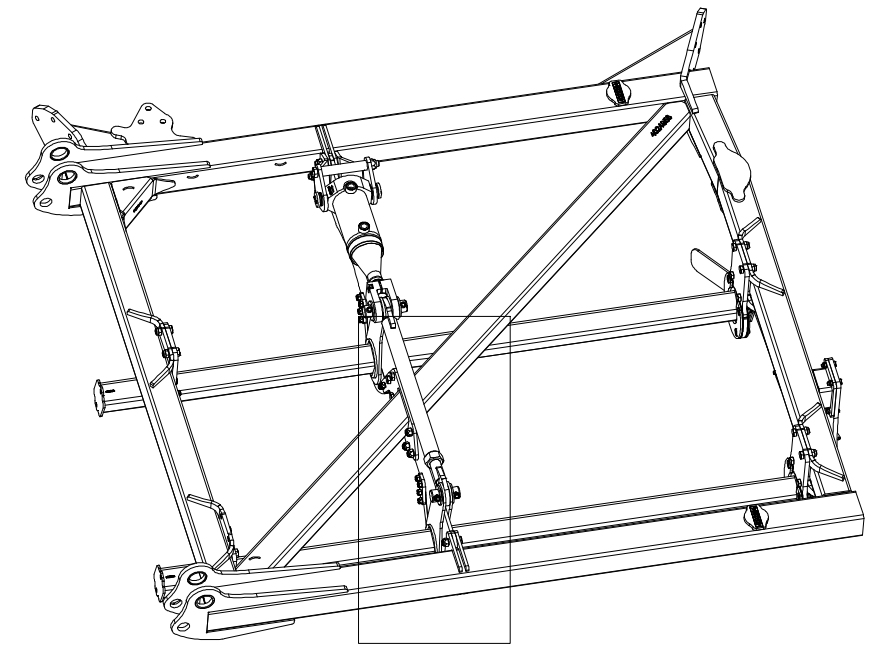
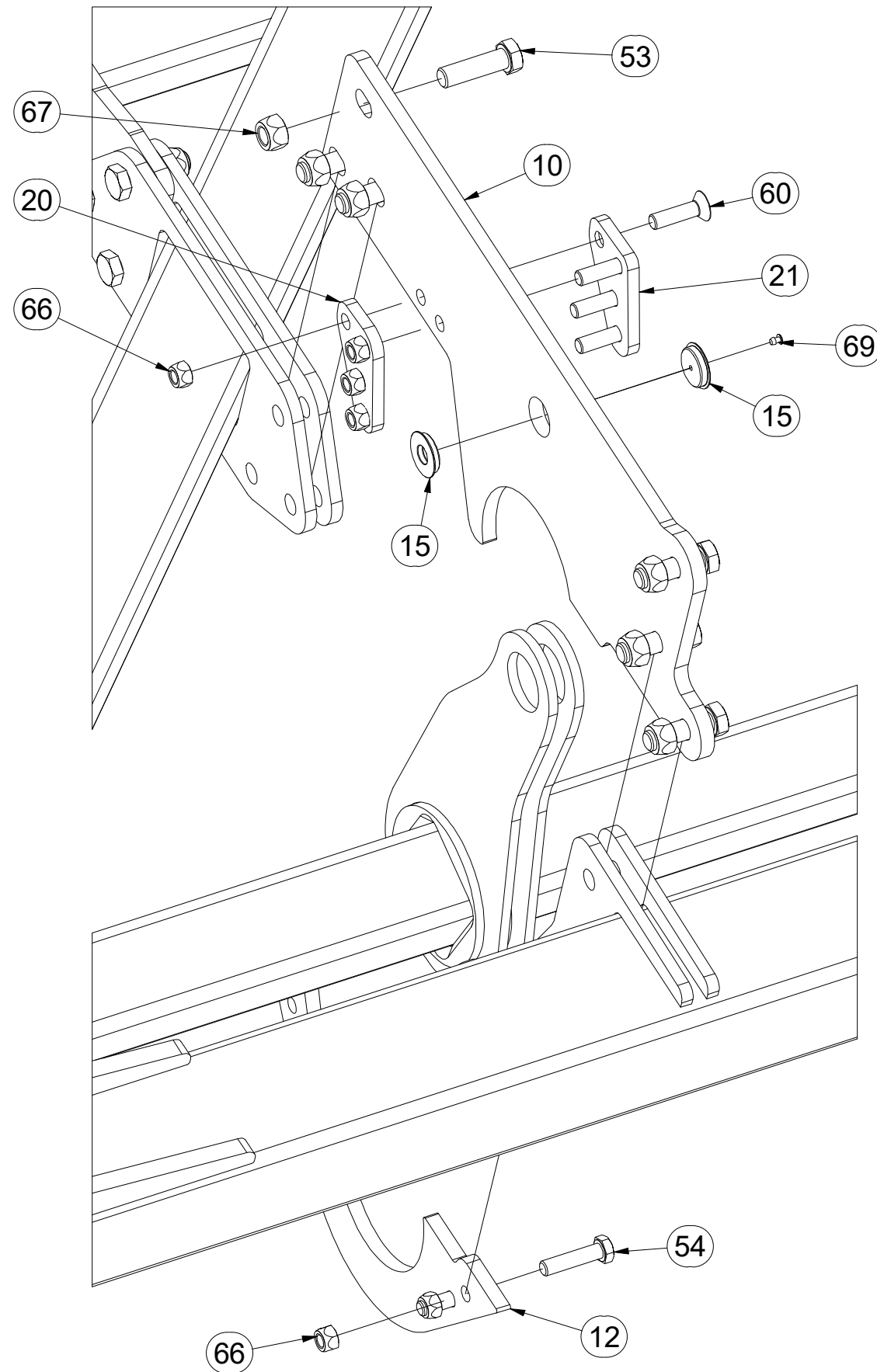
Ⓖ LEFT FRAME - OUTER

Ⓡ РАМА ЛЕВАЯ - КРАЙНЯЯ

Ⓟ RAMA LEWA - SKRAJNA



3012161



| Pos. | Part Number | Pcs. |
|------|-------------|------|
| 10 | 4024988 | 1 |
| 12 | 4024993 | 1 |
| 15 | 4025155 | 4 |
| 20 | 4025020 | 2 |
| 21 | VZ00007326 | 2 |
| 53 | m10112 | 9 |
| 54 | m11579 | 4 |
| 60 | m20532 | 24 |
| 66 | m12134 | 12 |
| 67 | m13846 | 12 |
| 69 | m05587 | 2 |

ⒸZ RÁM LEVÝ - KRAJNÍ

Ⓓ LINKER RAHMEN - AM RAND

Ⓕ CHASSIS GAUCHE - D'EXTREMITE RAMA

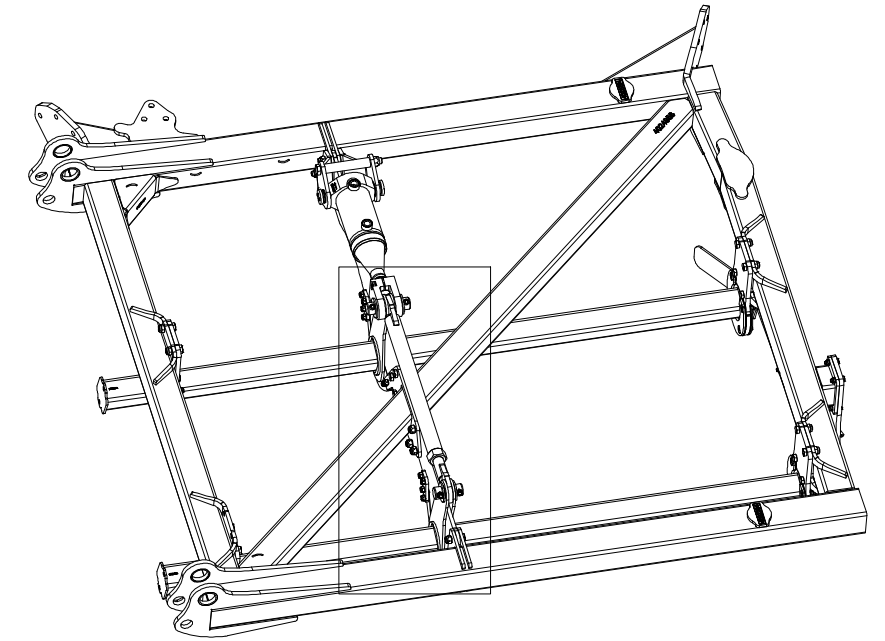
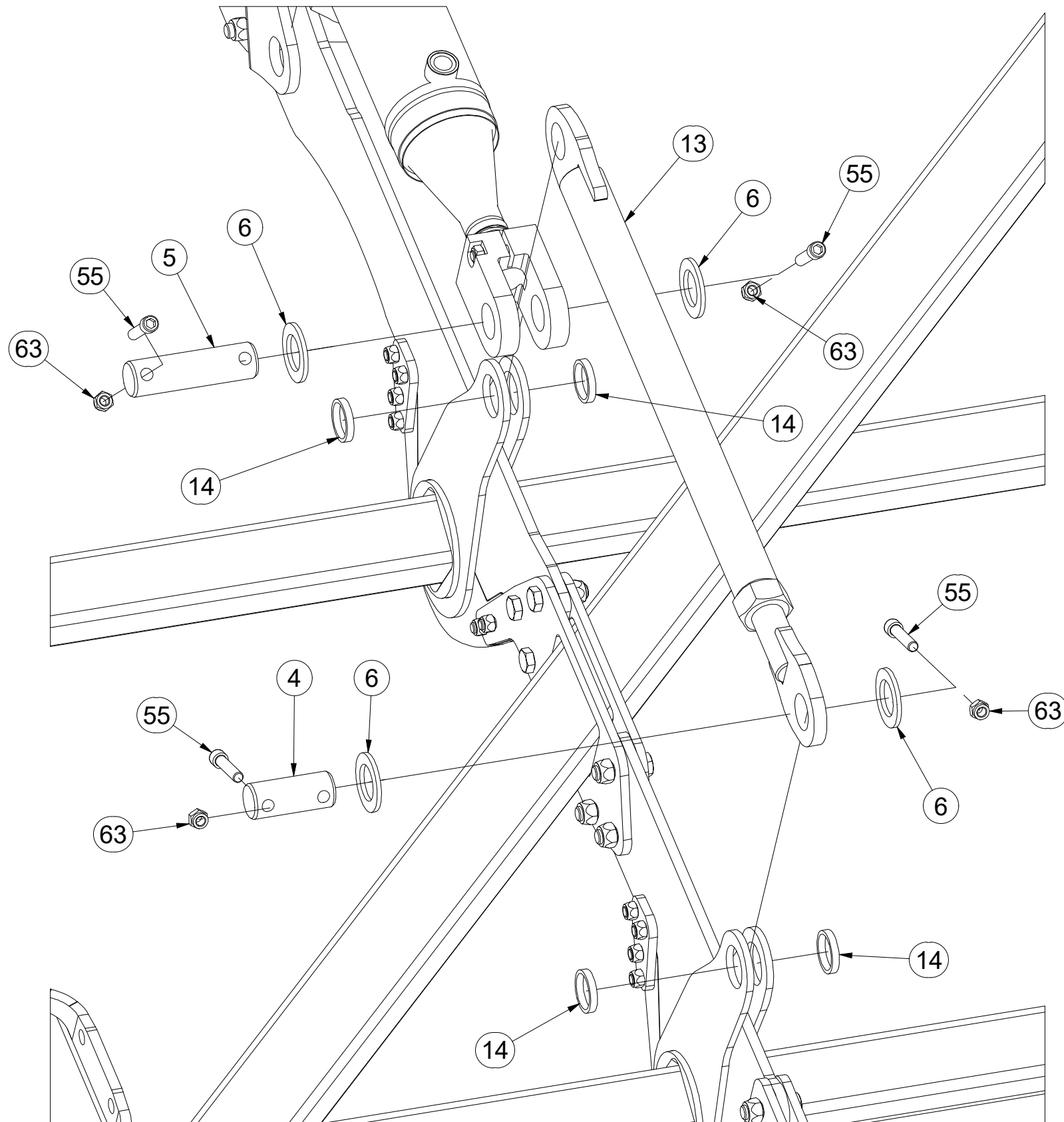
ⒸB LEFT FRAME - OUTER

ⒸU РАМА ЛЕВАЯ - КРАЙНЯЯ

ⒸL RAMA LEWA - SKRAJNA



3012161



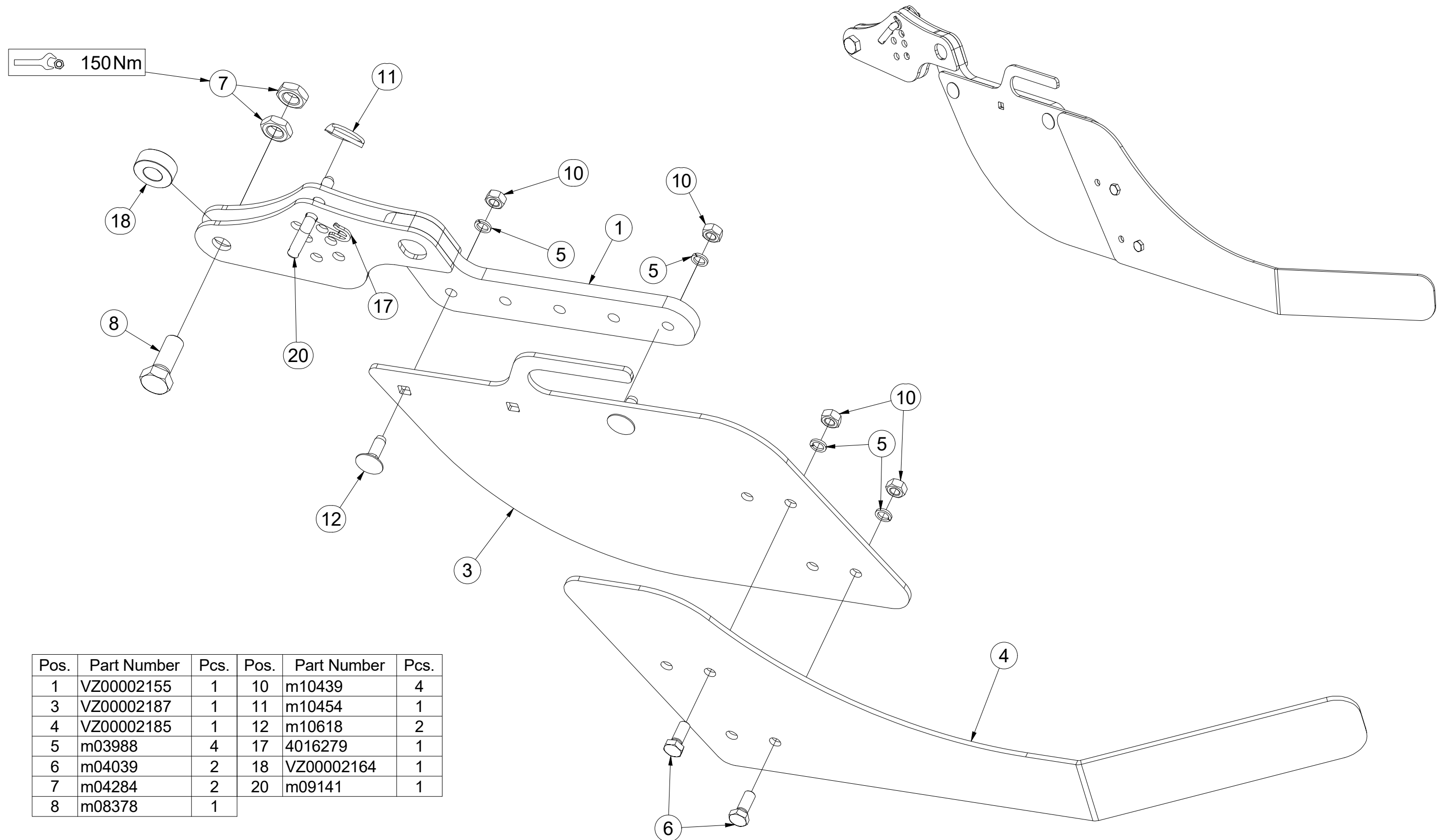
| Pos. | Part Number | Pcs. |
|------|-------------|------|
| 4 | 4007645 | 1 |
| 5 | 4012990 | 1 |
| 6 | 4013139 | 4 |
| 13 | 4025049 | 1 |
| 14 | 4024989 | 4 |
| 55 | m14008 | 4 |
| 63 | m04301 | 20 |

CZ DEFLEKTOR LEVÝ
 D DEFLEKTOR, LINKER
 F DÉFLECTEUR GAUCHE

GB DEFLECTOR LEFT
 RU ДЕФЛЕКТОР ЛЕВЫЙ
 PL DEFLEKTOR LEWY



3012481



| Pos. | Part Number | Pcs. | Pos. | Part Number | Pcs. |
|------|-------------|------|------|-------------|------|
| 1 | VZ00002155 | 1 | 10 | m10439 | 4 |
| 3 | VZ00002187 | 1 | 11 | m10454 | 1 |
| 4 | VZ00002185 | 1 | 12 | m10618 | 2 |
| 5 | m03988 | 4 | 17 | 4016279 | 1 |
| 6 | m04039 | 2 | 18 | VZ00002164 | 1 |
| 7 | m04284 | 2 | 20 | m09141 | 1 |
| 8 | m08378 | 1 | | | |

ⒸZ BOČNÍ RÁM LEVÝ

Ⓓ LINKER SEITENRAHMEN

Ⓕ CHASSIS LATERAL GAUCHE

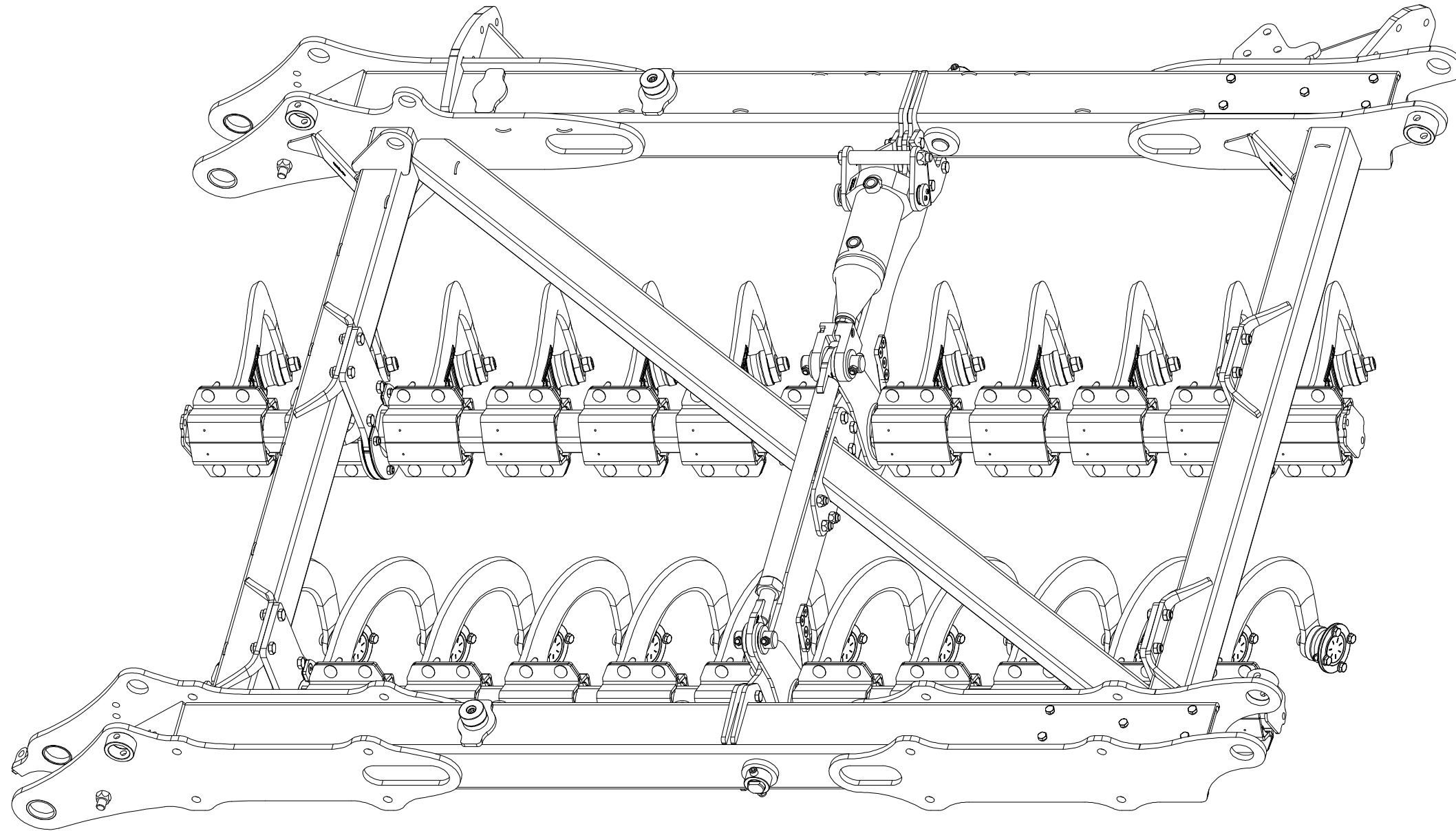
3012162

ⒸGB LEFT SIDE FRAME

ⒸRU БОКОВАЯ РАМА ЛЕВАЯ

ⒸPL RAMA BOCZNA LEWA

Farmet



☉ BOČNÍ RÁM LEVÝ

☉ LINKER SEITENRAHMEN

☉ CHASSIS LATERAL GAUCHE

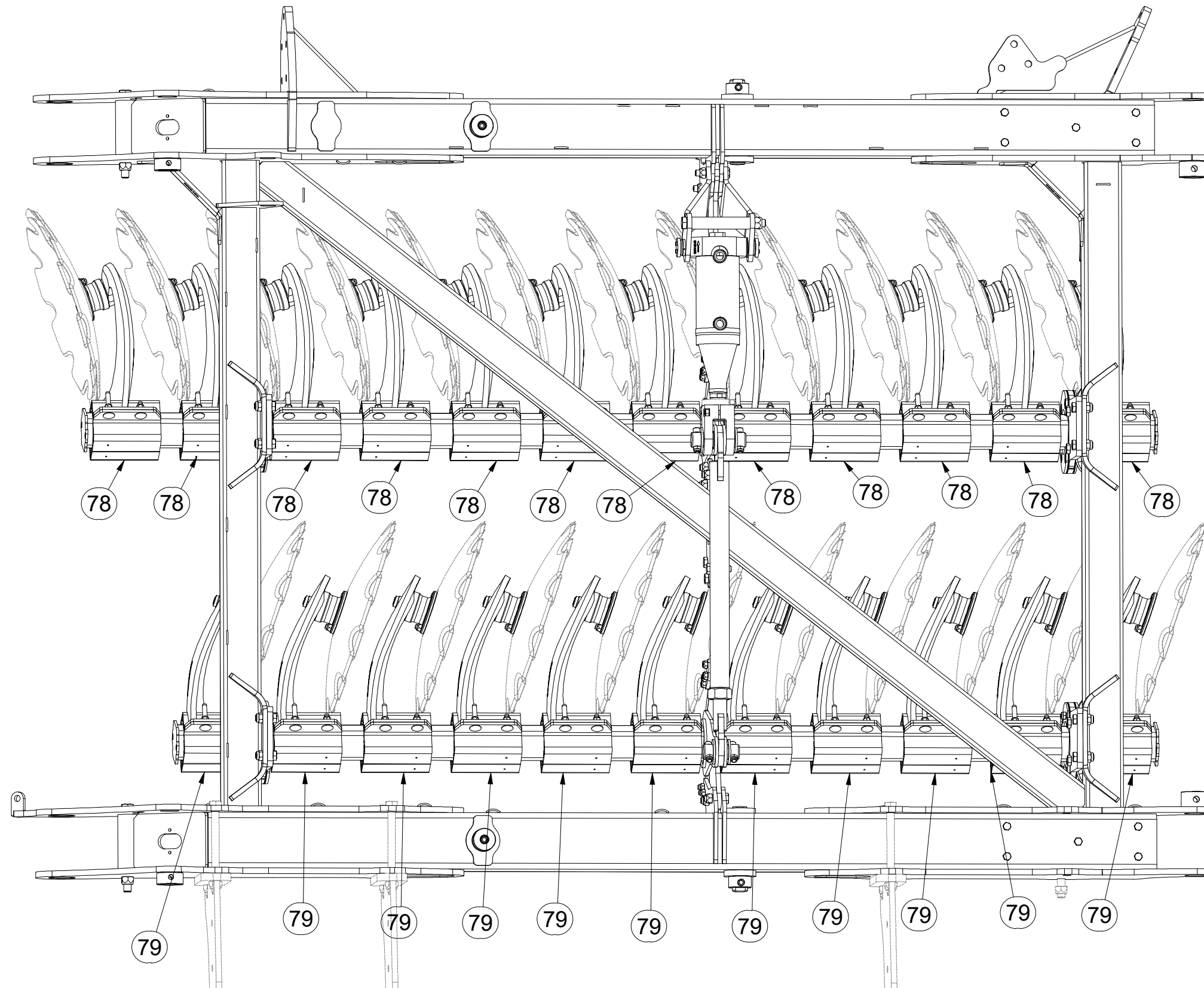
☉ LEFT SIDE FRAME

☉ БОКОВАЯ РАМА ЛЕВАЯ

☉ RAMA BOCZNA LEWA



3012162



| Pos. | Part Number | Pcs. |
|------|-------------|------|
| 78 | 3012533 | 12 |
| 79 | 3012530 | 11 |

ⒸZ BOČNÍ RÁM LEVÝ

Ⓓ LINKER SEITENRAHMEN

Ⓕ CHASSIS LATERAL GAUCHE

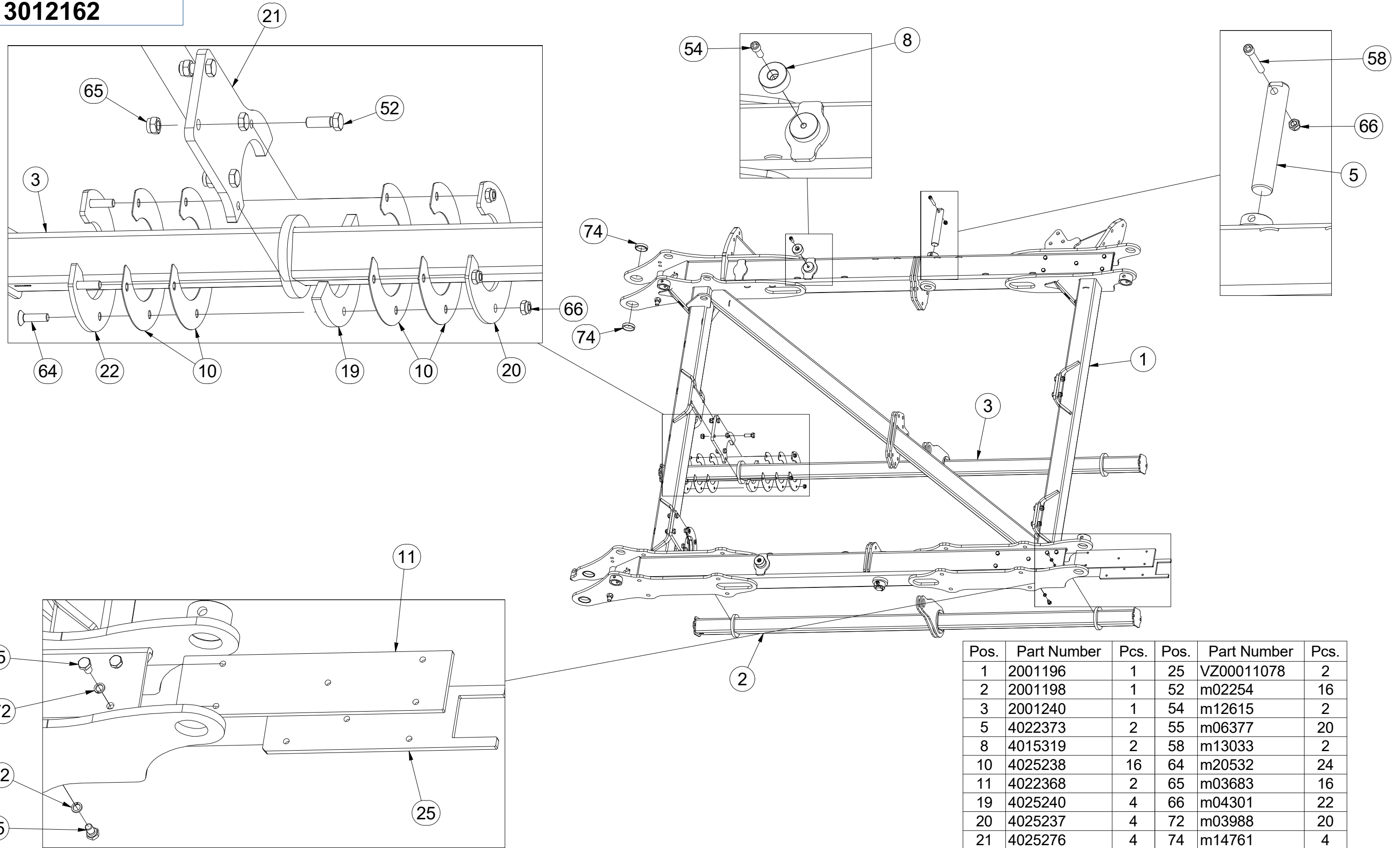
ⒸB LEFT SIDE FRAME

ⒸU БОКОВАЯ РАМА ЛЕВАЯ

ⒸL RAMA BOCZNA LEWA



3012162



| Pos. | Part Number | Pcs. | Pos. | Part Number | Pcs. |
|------|-------------|------|------|-------------|------|
| 1 | 2001196 | 1 | 25 | VZ00011078 | 2 |
| 2 | 2001198 | 1 | 52 | m02254 | 16 |
| 3 | 2001240 | 1 | 54 | m12615 | 2 |
| 5 | 4022373 | 2 | 55 | m06377 | 20 |
| 8 | 4015319 | 2 | 58 | m13033 | 2 |
| 10 | 4025238 | 16 | 64 | m20532 | 24 |
| 11 | 4022368 | 2 | 65 | m03683 | 16 |
| 19 | 4025240 | 4 | 66 | m04301 | 22 |
| 20 | 4025237 | 4 | 72 | m03988 | 20 |
| 21 | 4025276 | 4 | 74 | m14761 | 4 |
| 22 | VZ00007358 | 4 | | | |

ⒸZ BOČNÍ RÁM LEVÝ

Ⓓ LINKER SEITENRAHMEN

Ⓕ CHASSIS LATERAL GAUCHE

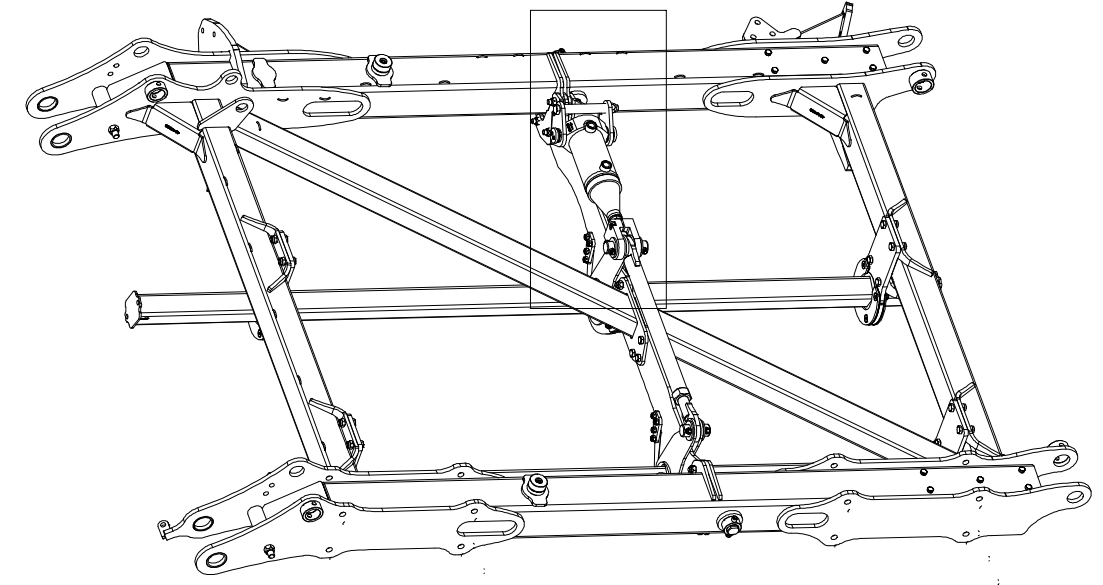
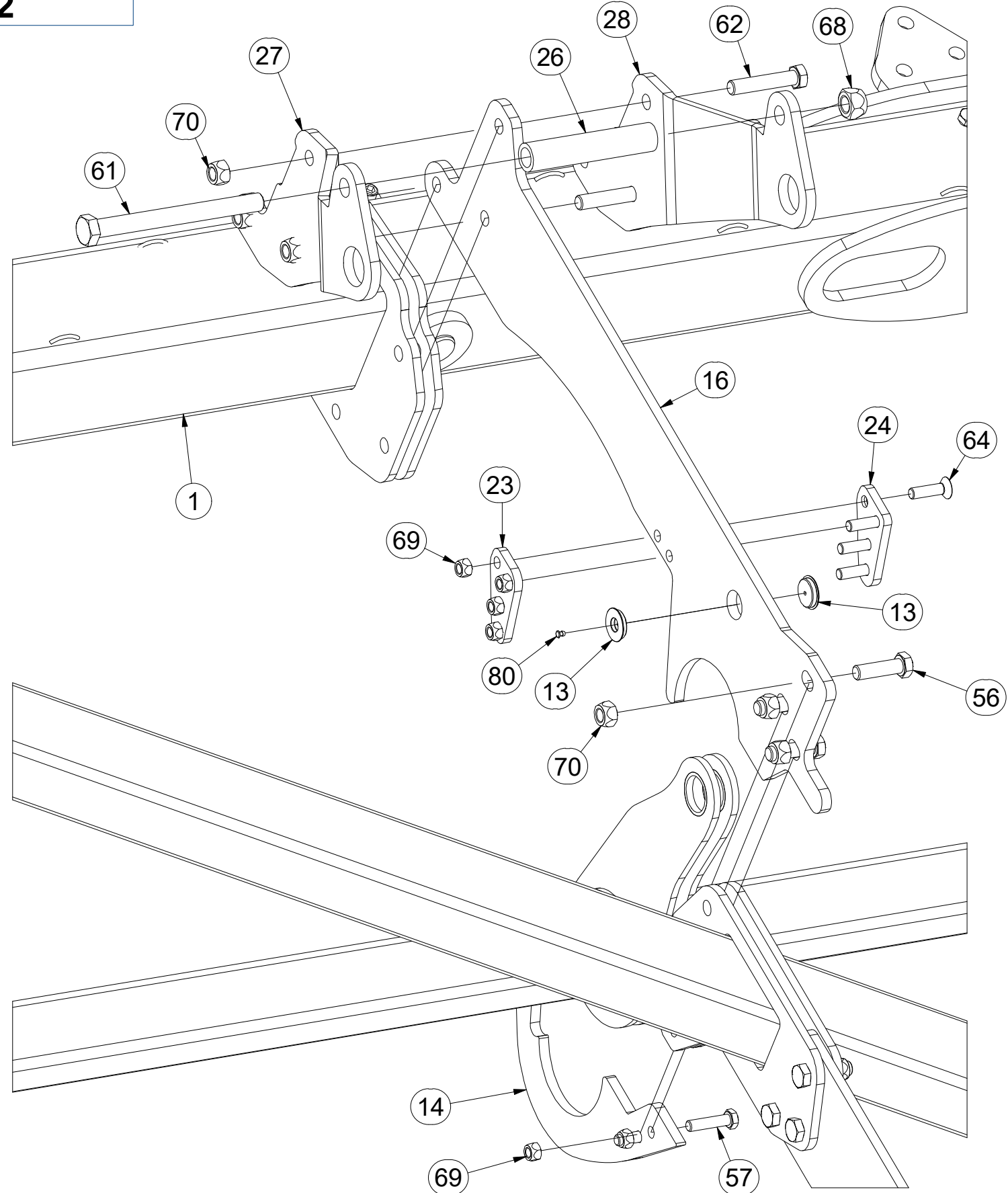
ⒸB LEFT SIDE FRAME

ⒸU БОКОВАЯ РАМА ЛЕВАЯ

ⒸL RAMA BOCZNA LEWA



3012162



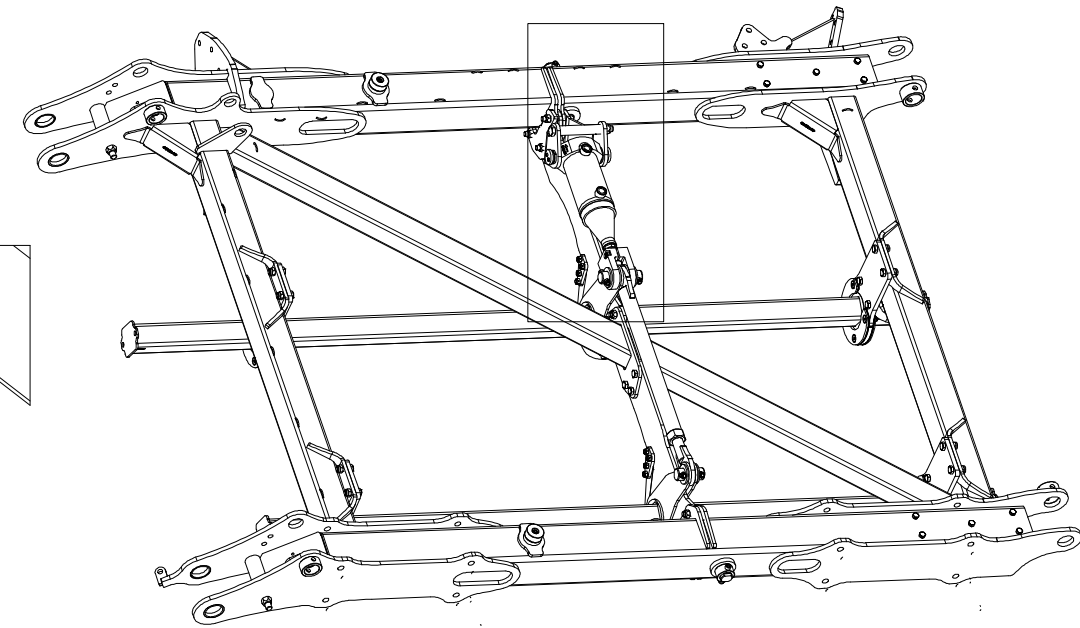
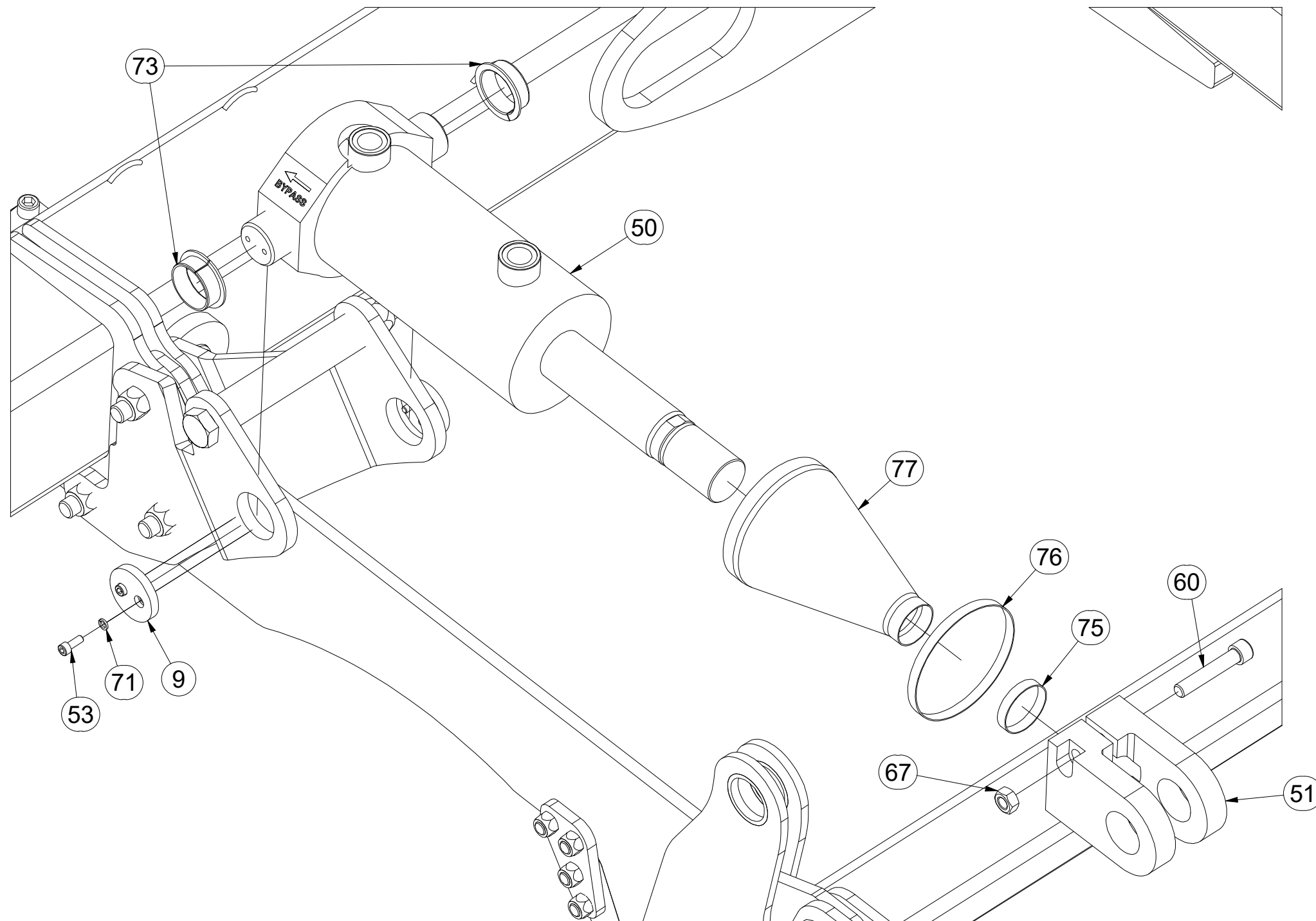
| Pos. | Part Number | Pcs. | Pos. | Part Number | Pcs. |
|------|-------------|------|------|-------------|------|
| 1 | 2001196 | 1 | 56 | m10112 | 9 |
| 13 | 4025155 | 4 | 57 | m11579 | 4 |
| 14 | 4024992 | 1 | 61 | m17543 | 1 |
| 16 | 4025032 | 1 | 62 | m18019 | 3 |
| 23 | 4025020 | 2 | 64 | m20532 | 24 |
| 24 | VZ00007326 | 2 | 68 | m11169 | 1 |
| 26 | VZ00009331 | 1 | 69 | m12134 | 12 |
| 27 | VZ00009849 | 1 | 70 | m13846 | 12 |
| 28 | VZ00009850 | 1 | 80 | m05587 | 2 |

- ⒸZ BOČNÍ RÁM LEVÝ
- Ⓓ LINKER SEITENRAHMEN
- Ⓕ CHASSIS LATERAL GAUCHE

- ⒸB LEFT SIDE FRAME
- ⒸU БОКОВАЯ РАМА ЛЕВАЯ
- ⒸL RAMA BOCZNA LEWA



3012162



| Pos. | Part Number | Pcs. |
|------|-------------|------|
| 9 | 4019408 | 2 |
| 50 | m20396 | 1 |
| 51 | m19146 | 1 |
| 53 | m05303 | 4 |
| 60 | m14867 | 1 |
| 67 | m10439 | 1 |
| 71 | m01200 | 4 |
| 73 | m14755 | 2 |
| 75 | m05890 | 1 |
| 76 | m17208 | 1 |
| 77 | m19897 | 1 |

ⒸZ BOČNÍ RÁM LEVÝ

Ⓓ LINKER SEITENRAHMEN

Ⓕ CHASSIS LATERAL GAUCHE

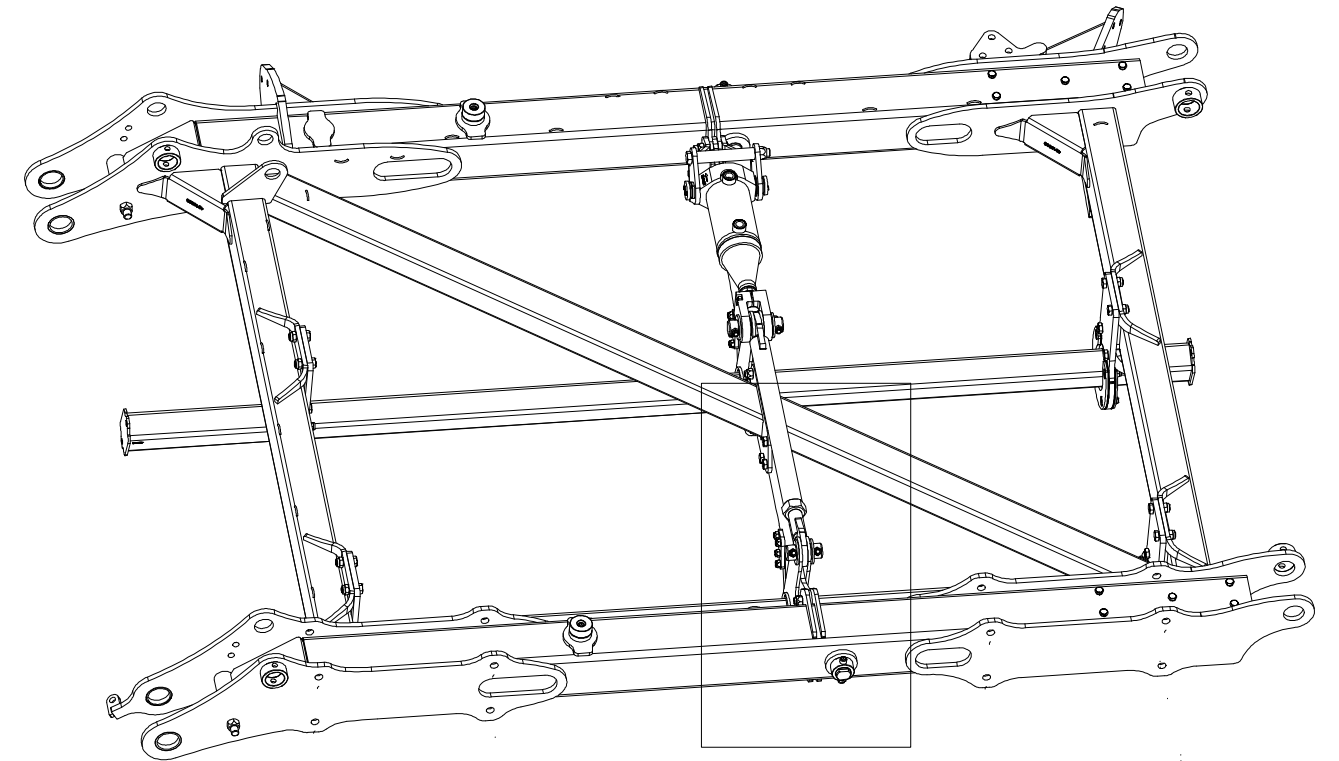
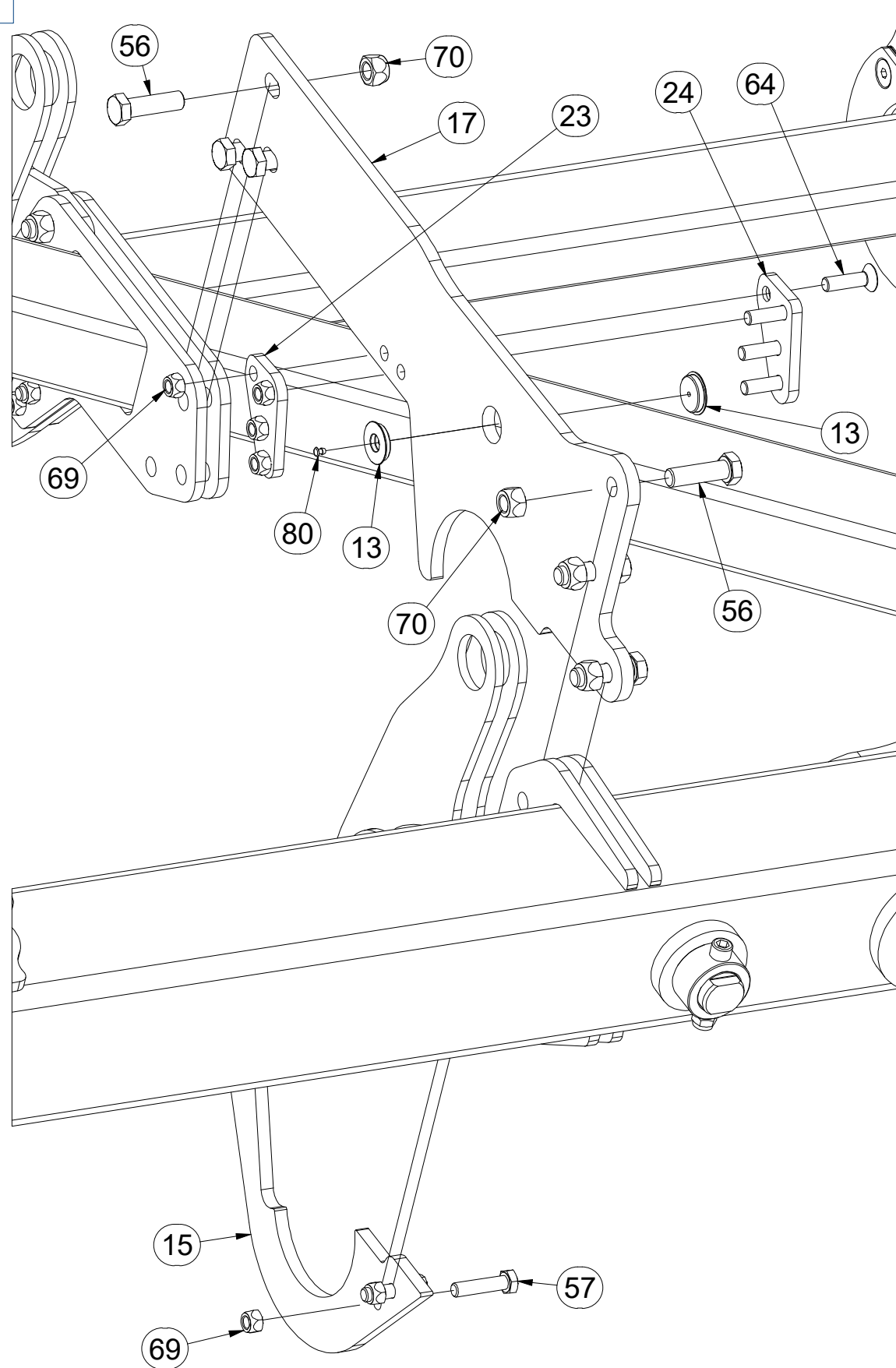
ⒸB LEFT SIDE FRAME

ⒸR БОКОВАЯ РАМА ЛЕВАЯ

ⒸL RAMA BOCZNA LEWA



3012162



| Pos. | Part Number | Pcs. |
|------|-------------|------|
| 13 | 4025155 | 4 |
| 15 | 4024993 | 1 |
| 17 | 4025046 | 1 |
| 23 | 4025020 | 2 |
| 24 | VZ00007326 | 2 |
| 56 | m10112 | 9 |
| 57 | m11579 | 4 |
| 64 | m20532 | 24 |
| 69 | m12134 | 12 |
| 70 | m13846 | 12 |
| 80 | m05587 | 2 |

ⒸZ BOČNÍ RÁM LEVÝ

Ⓓ LINKER SEITENRAHMEN

Ⓕ CHASSIS LATERAL GAUCHE

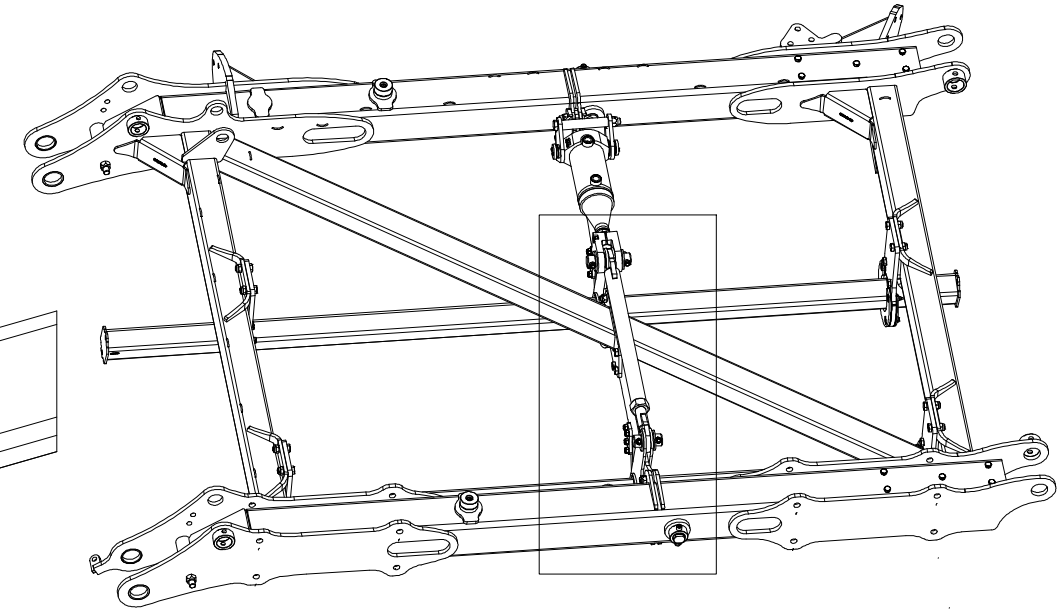
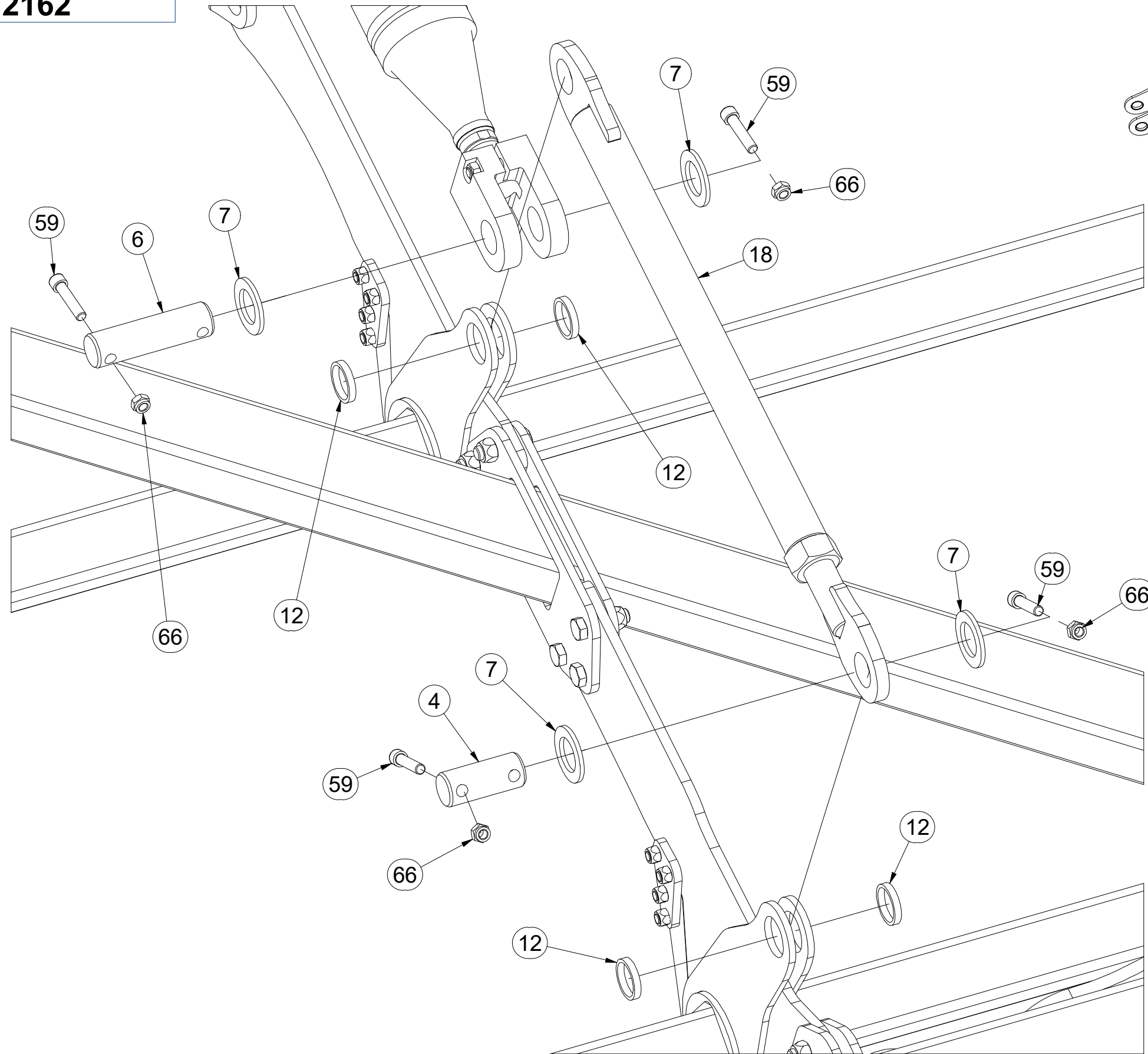
ⒸB LEFT SIDE FRAME

ⒸR БОКОВАЯ РАМА ЛЕВАЯ

ⒸL RAMA BOCZNA LEWA



3012162



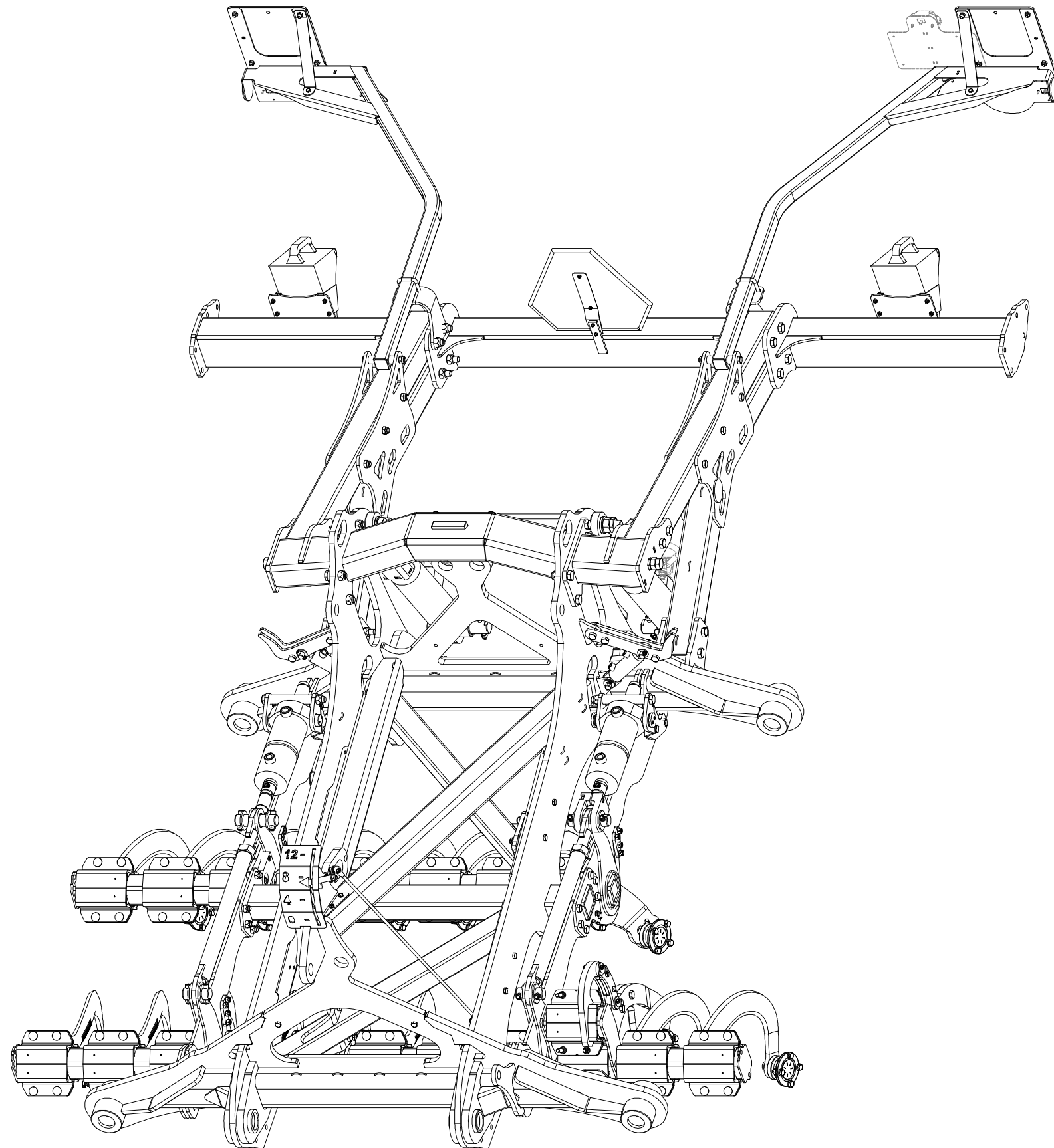
| Pos. | Part Number | Pcs. |
|------|-------------|------|
| 4 | 4007645 | 1 |
| 6 | 4012990 | 1 |
| 7 | 4013139 | 4 |
| 12 | 4024989 | 4 |
| 18 | 4025049 | 1 |
| 59 | m14008 | 4 |
| 66 | m04301 | 22 |

Ⓒ STŘEDNÍ RÁM
Ⓓ RAHMEN, MITTLERE
Ⓕ CHASSIS CENTRAL

Ⓖ CENTRAL FRAME
Ⓔ СРЕДНЯЯ РАМА
Ⓗ SREDNIA RAMA



3012163

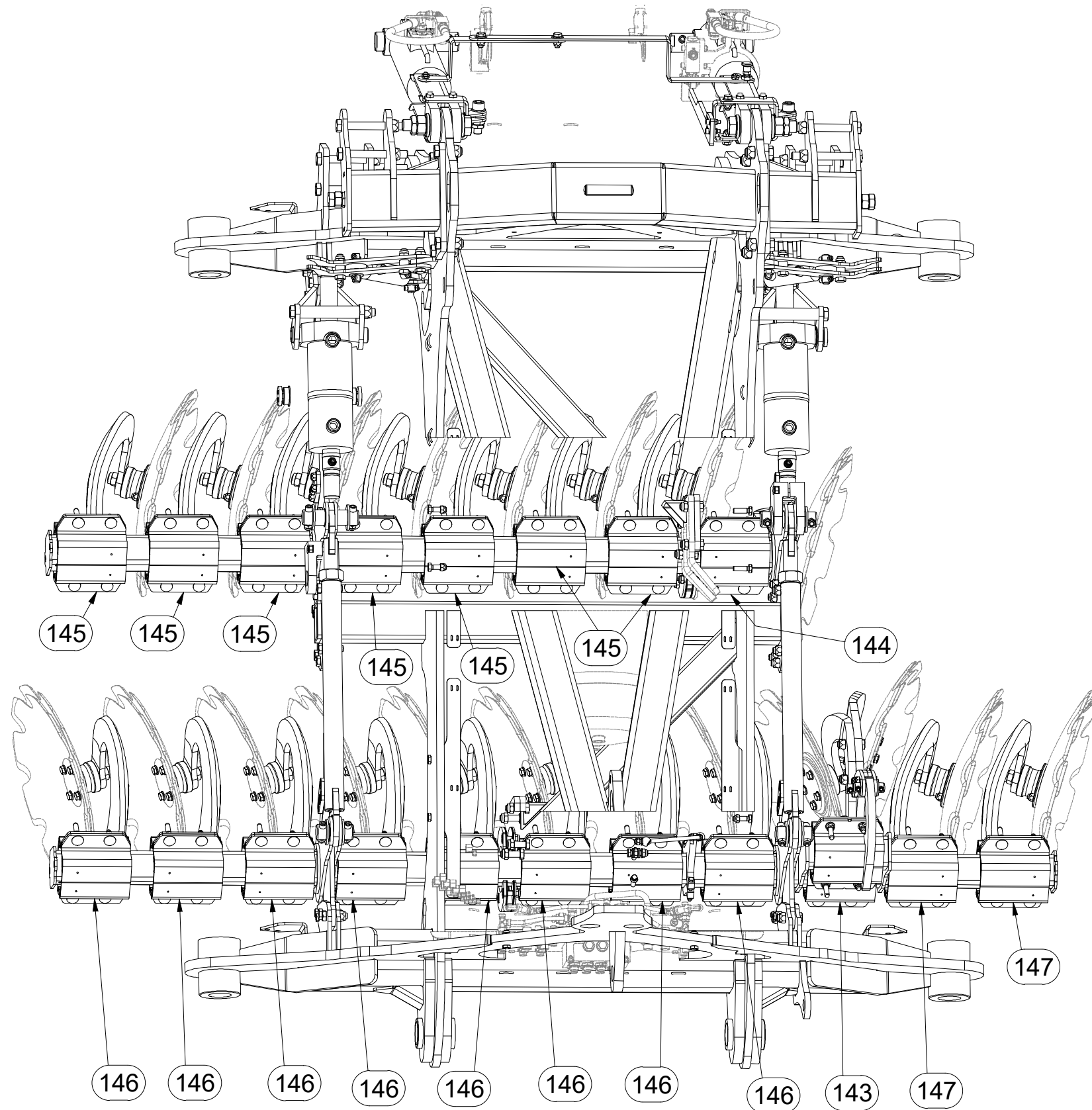


- Ⓒ STŘEDNÍ RÁM
- Ⓓ RAHMEN, MITTLERE
- Ⓕ CHASSIS CENTRAL

- Ⓖ CENTRAL FRAME
- Ⓡ СРЕДНЯЯ РАМА
- Ⓟ SREDNIA RAMA



3012163



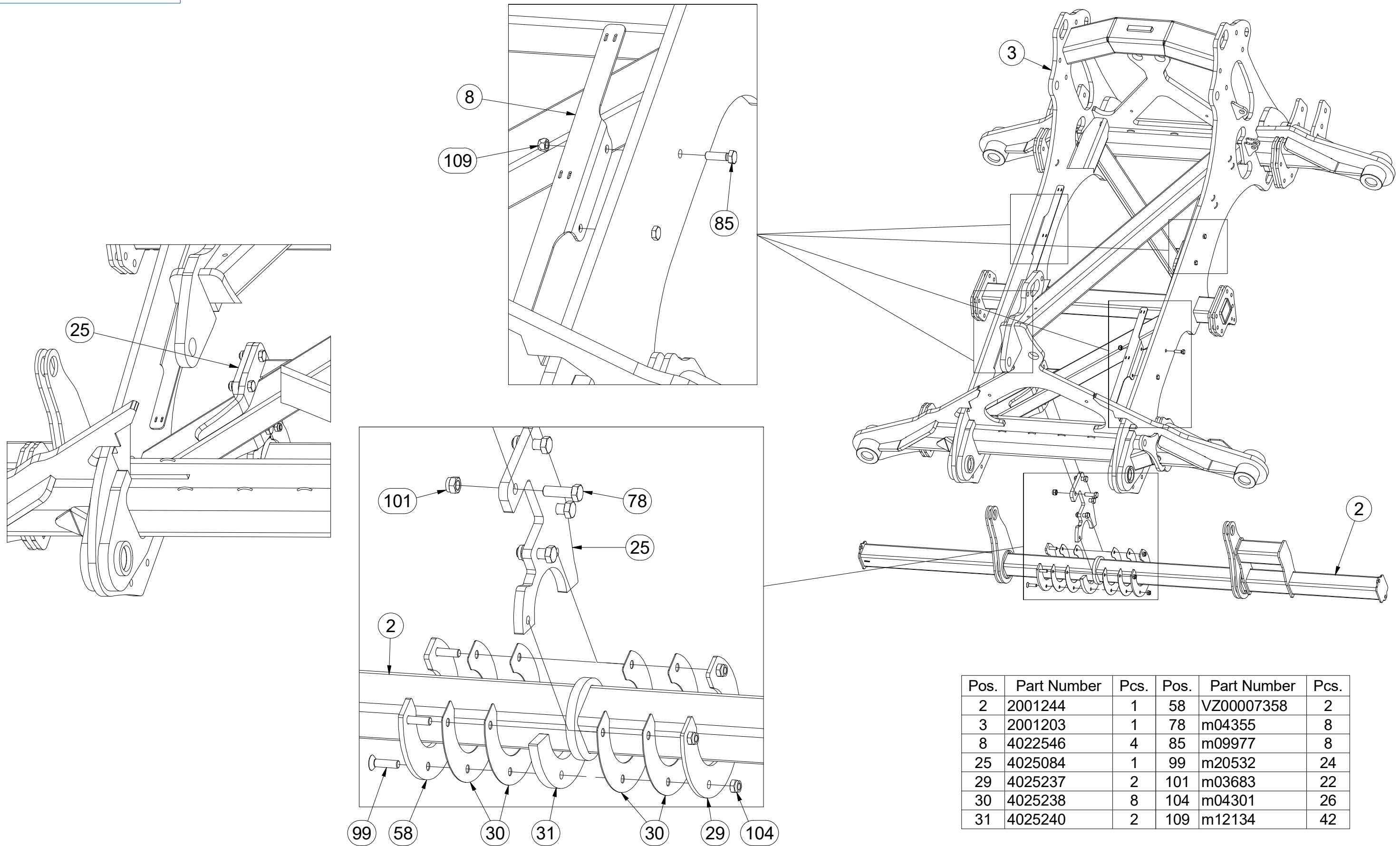
| Pos. | Part Number | Pcs. |
|------|-------------|------|
| 143 | 3012336 | 1 |
| 144 | 3012346 | 1 |
| 145 | 3012532 | 7 |
| 146 | 3012531 | 8 |
| 147 | 3012530 | 2 |

CZ STŘEDNÍ RÁM
 D RAHMEN, MITTLERE
 F CHASSIS CENTRAL

GB CENTRAL FRAME
 RU СРЕДНЯЯ РАМА
 PL SREDNIA RAMA



3012163



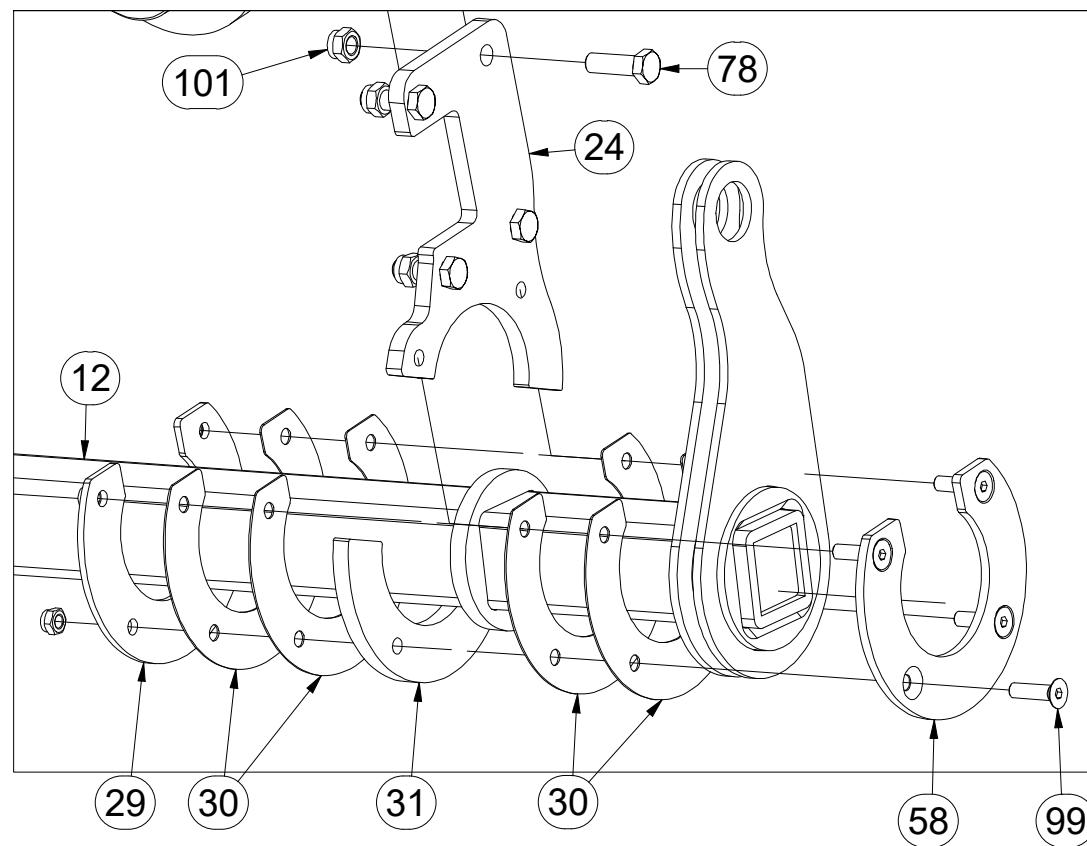
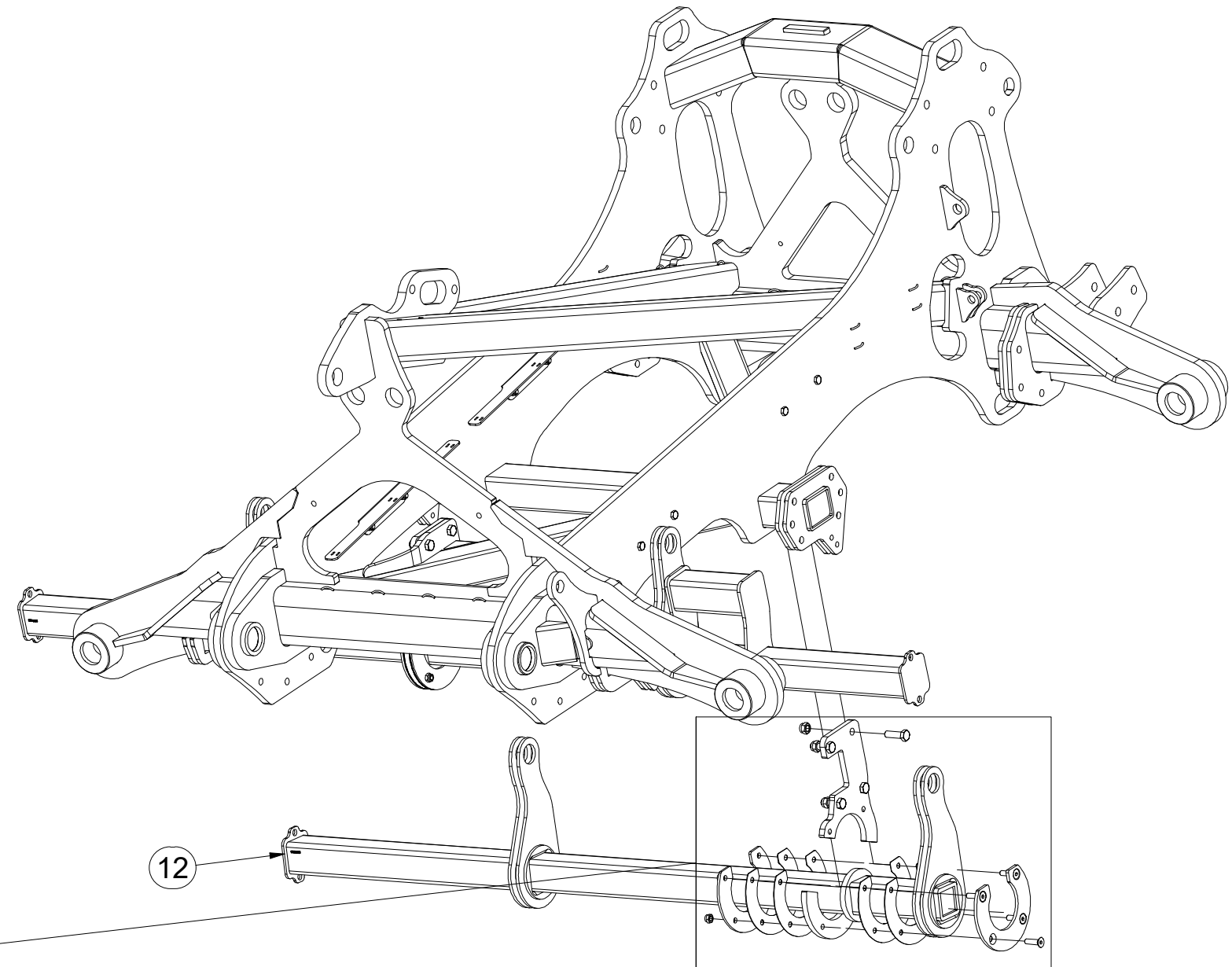
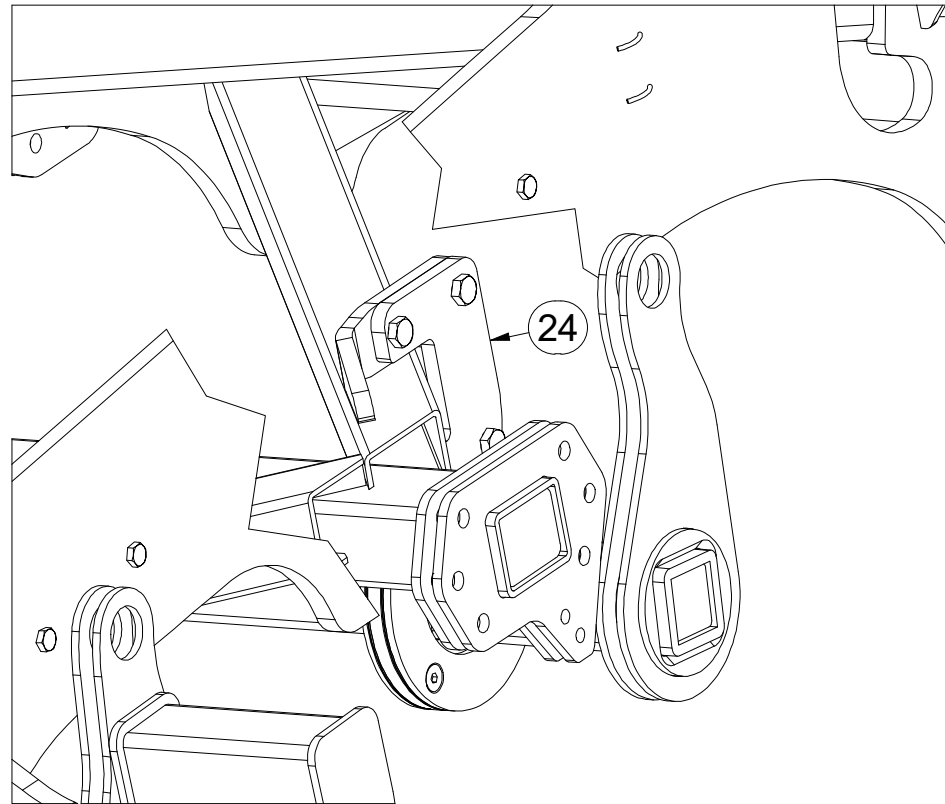
| Pos. | Part Number | Pcs. | Pos. | Part Number | Pcs. |
|------|-------------|------|------|-------------|------|
| 2 | 2001244 | 1 | 58 | VZ00007358 | 2 |
| 3 | 2001203 | 1 | 78 | m04355 | 8 |
| 8 | 4022546 | 4 | 85 | m09977 | 8 |
| 25 | 4025084 | 1 | 99 | m20532 | 24 |
| 29 | 4025237 | 2 | 101 | m03683 | 22 |
| 30 | 4025238 | 8 | 104 | m04301 | 26 |
| 31 | 4025240 | 2 | 109 | m12134 | 42 |

- Ⓒ STŘEDNÍ RÁM
- Ⓓ RAHMEN, MITTLERE
- Ⓕ CHASSIS CENTRAL

- Ⓖ CENTRAL FRAME
- Ⓡ СРЕДНЯЯ РАМА
- Ⓟ SREDNIA RAMA



3012163



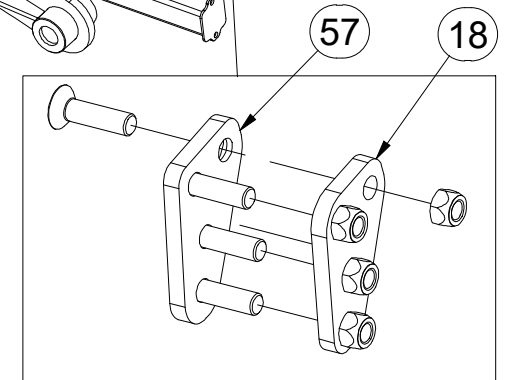
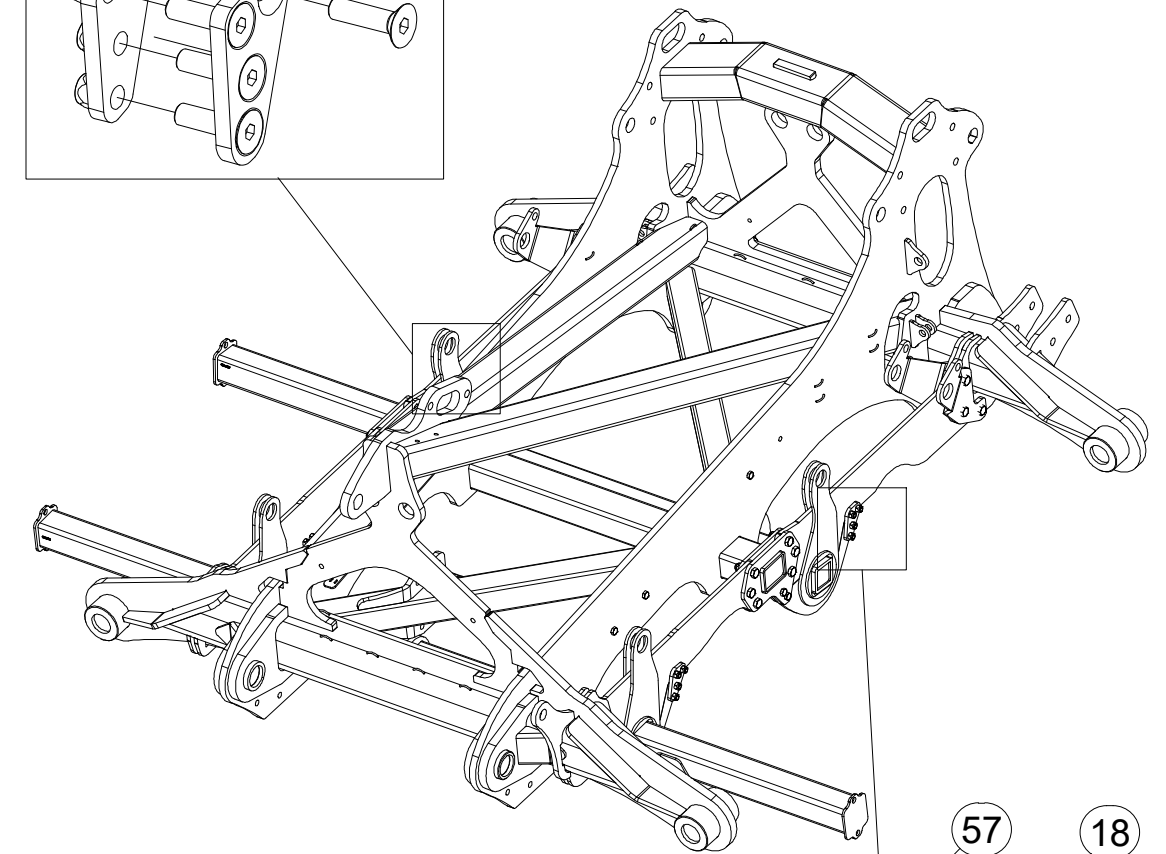
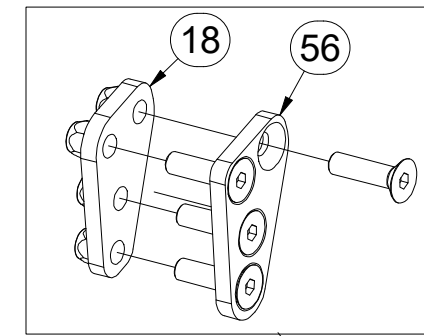
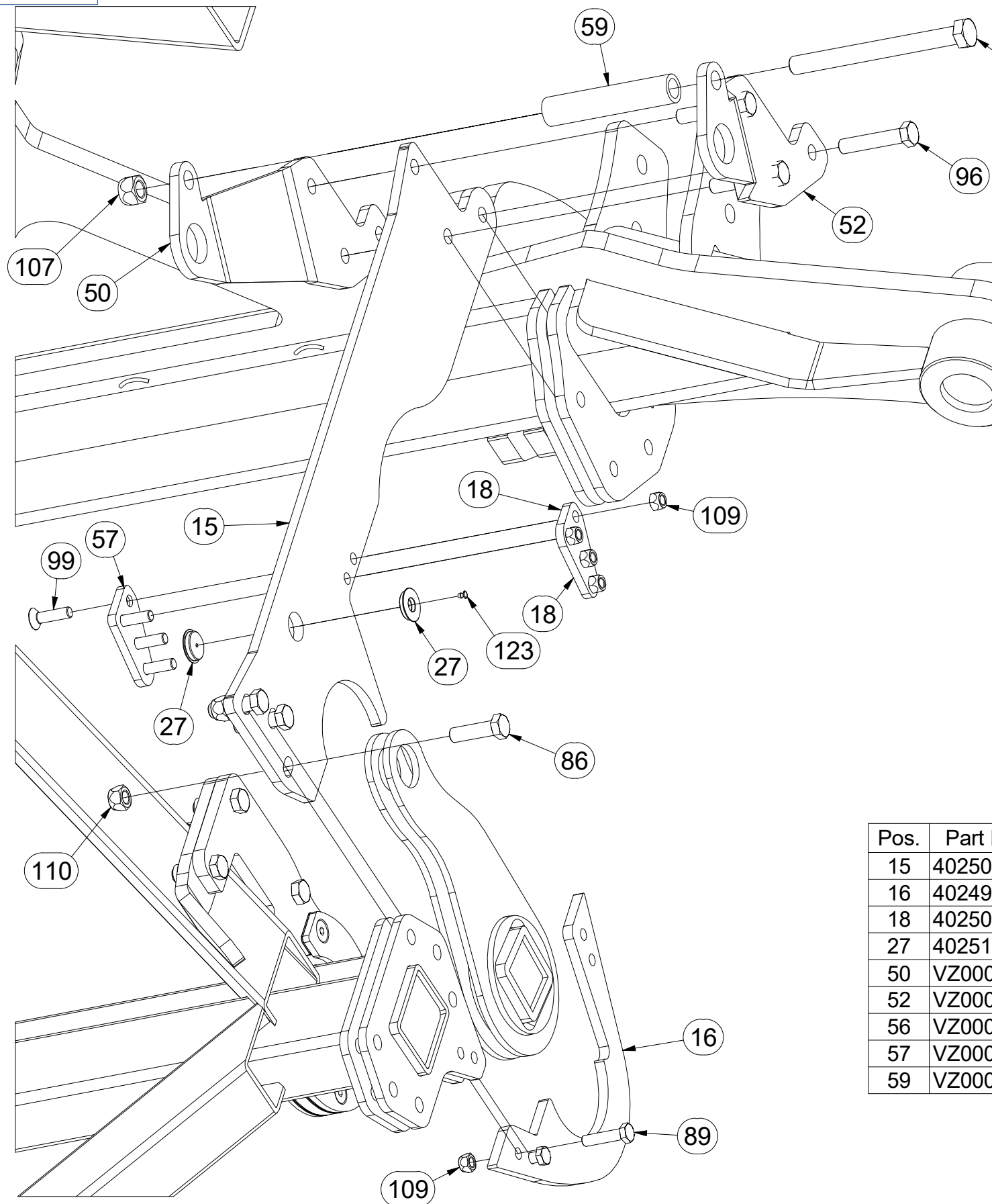
| Pos. | Part Number | Pcs. | Pos. | Part Number | Pcs. |
|------|-------------|------|------|-------------|------|
| 12 | VZ00006247 | 1 | 58 | VZ00007358 | 2 |
| 24 | 4025085 | 1 | 78 | m04355 | 8 |
| 29 | 4025237 | 2 | 99 | m20532 | 24 |
| 30 | 4025238 | 8 | 101 | m03683 | 22 |
| 31 | 4025240 | 2 | | | |

CZ STŘEDNÍ RÁM
 D RAHMEN, MITTLERE
 F CHASSIS CENTRAL

GB CENTRAL FRAME
 RU СРЕДНЯЯ РАМА
 PL SREDNIA RAMA



3012163



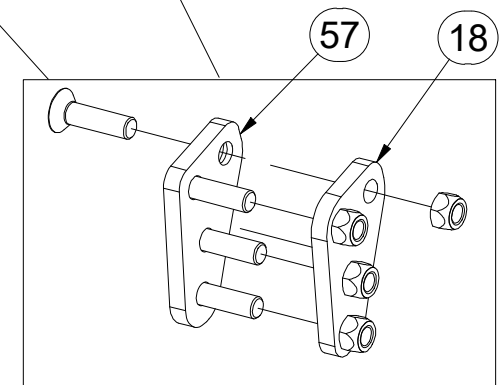
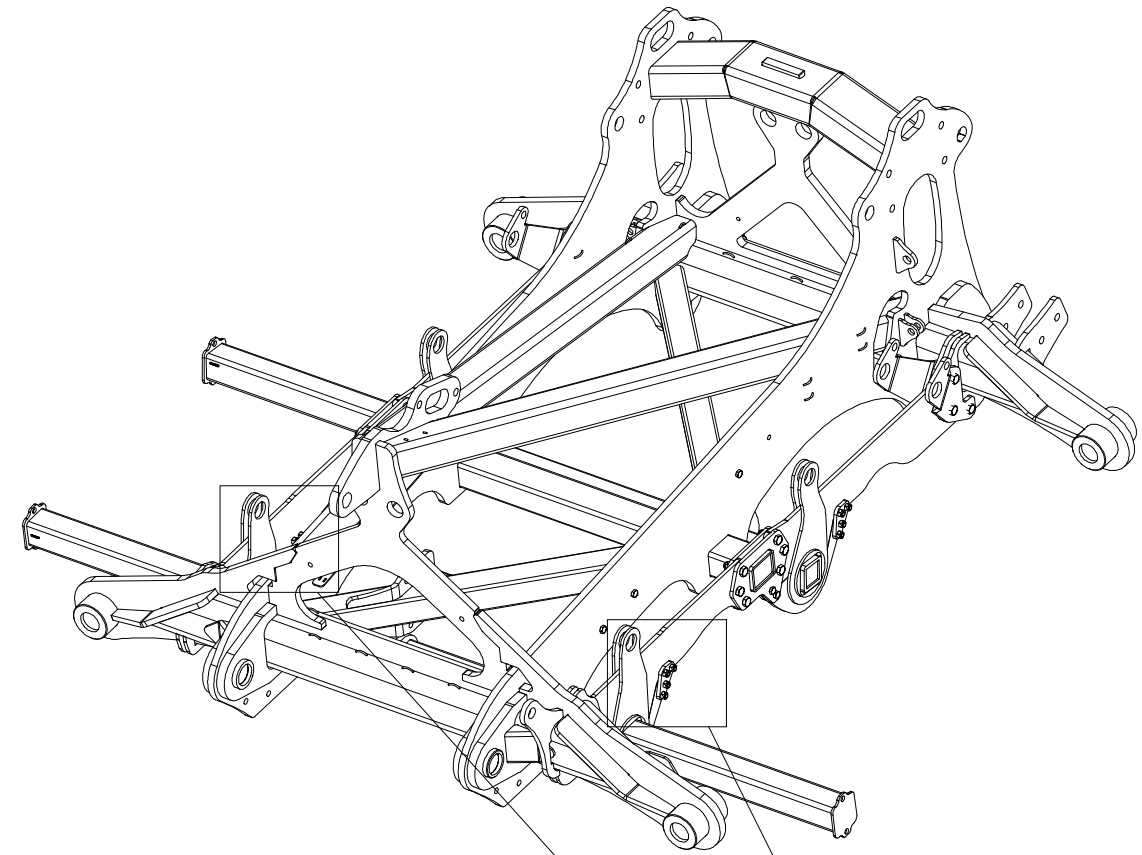
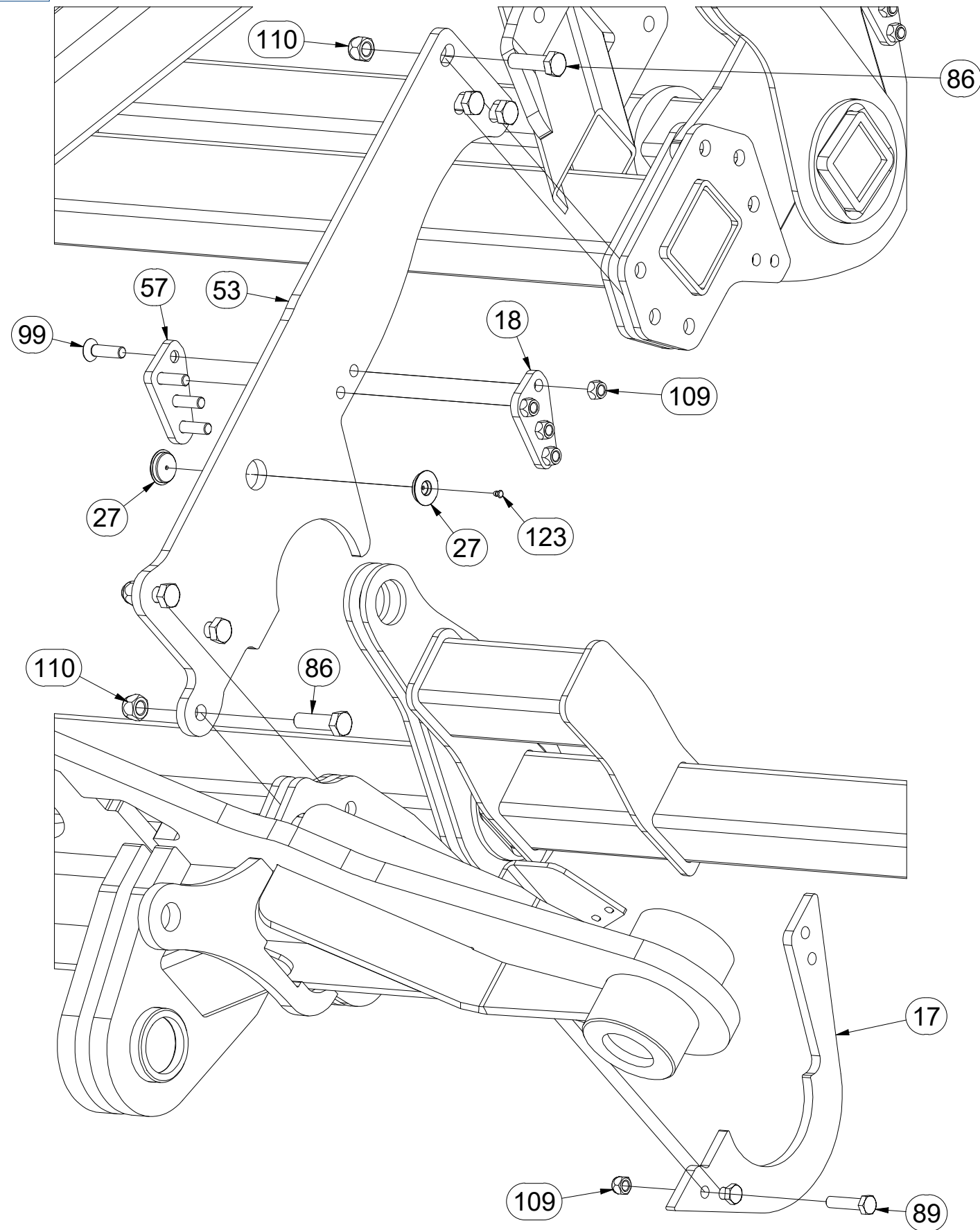
| Pos. | Part Number | Pcs. | Pos. | Part Number | Pcs. |
|------|-------------|------|------|-------------|------|
| 15 | 4025086 | 2 | 86 | m10112 | 24 |
| 16 | 4024992 | 2 | 89 | m11579 | 8 |
| 18 | 4025020 | 5 | 96 | m18019 | 6 |
| 27 | 4025155 | 8 | 97 | m17543 | 2 |
| 50 | VZ00009840 | 2 | 99 | m20532 | 24 |
| 52 | VZ00009841 | 2 | 107 | m11169 | 26 |
| 56 | VZ00007326 | 1 | 109 | m12134 | 42 |
| 57 | VZ00007730 | 3 | 110 | m13846 | 24 |
| 59 | VZ00009331 | 2 | 123 | m05587 | 4 |

- Ⓒ STŘEDNÍ RÁM
- Ⓓ RAHMEN, MITTLERE
- Ⓕ CHASSIS CENTRAL

- Ⓖ CENTRAL FRAME
- Ⓔ СРЕДНЯЯ РАМА
- Ⓗ SREDNIA RAMA



3012163



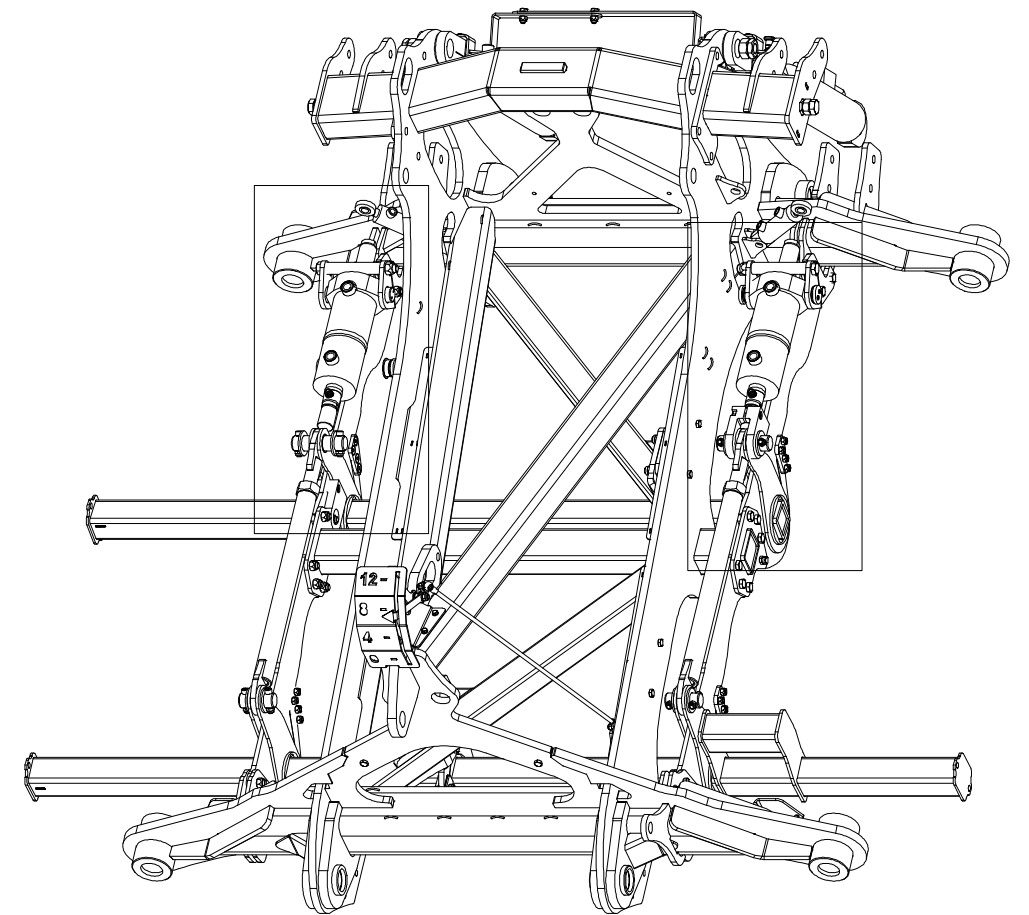
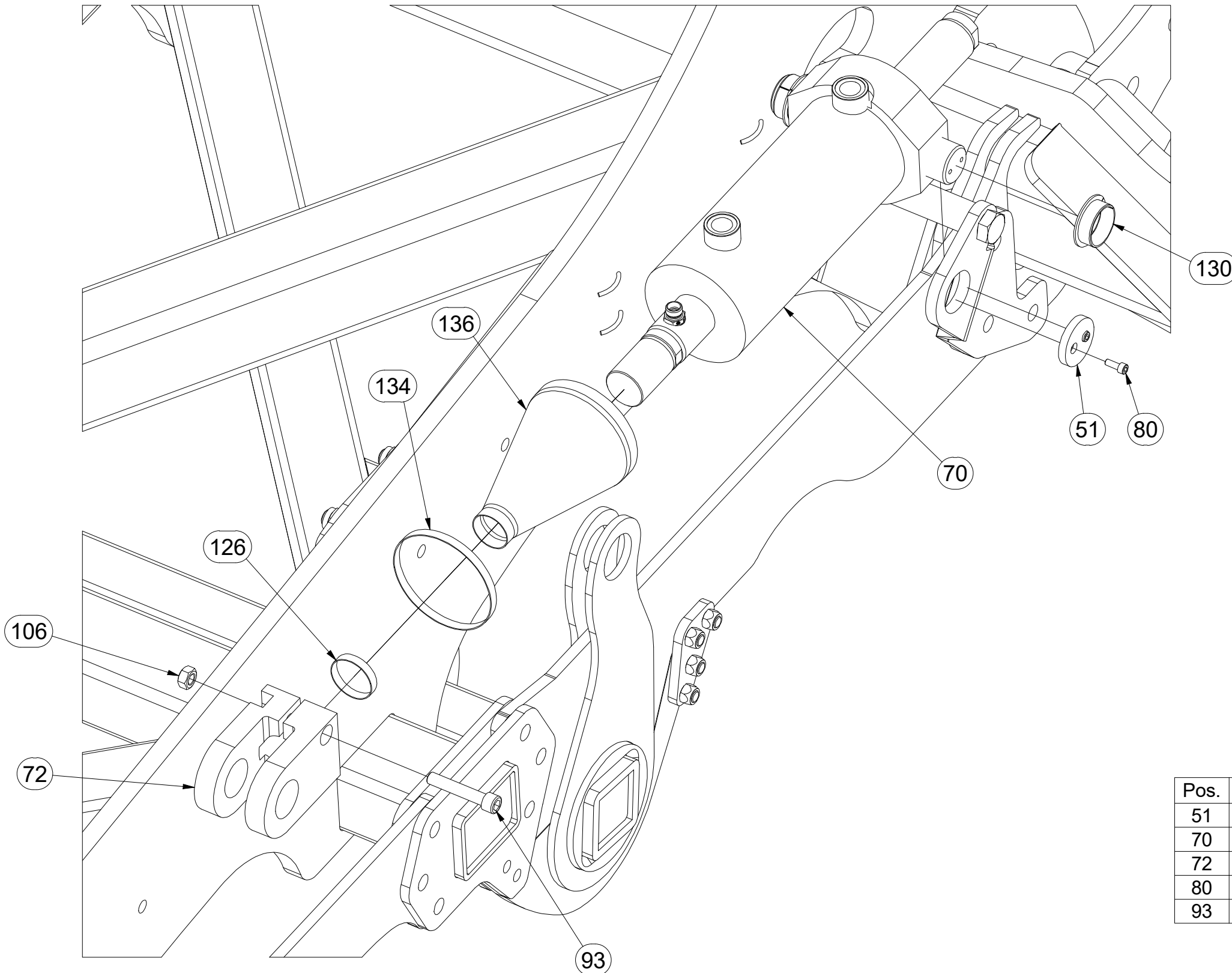
| Pos. | Part Number | Pcs. |
|------|-------------|------|
| 17 | 4024993 | 2 |
| 18 | 4025020 | 5 |
| 27 | 4025155 | 8 |
| 53 | VZ00006265 | 2 |
| 57 | VZ00007730 | 3 |
| 86 | m10112 | 24 |
| 89 | m11579 | 8 |
| 99 | m20532 | 24 |
| 109 | m12134 | 42 |
| 110 | m13846 | 24 |
| 123 | m05587 | 4 |

CZ STŘEDNÍ RÁM
 D RAHMEN, MITTLERE
 F CHASSIS CENTRAL

GB CENTRAL FRAME
 RU СРЕДНЯЯ РАМА
 PL SREDNIA RAMA



3012163



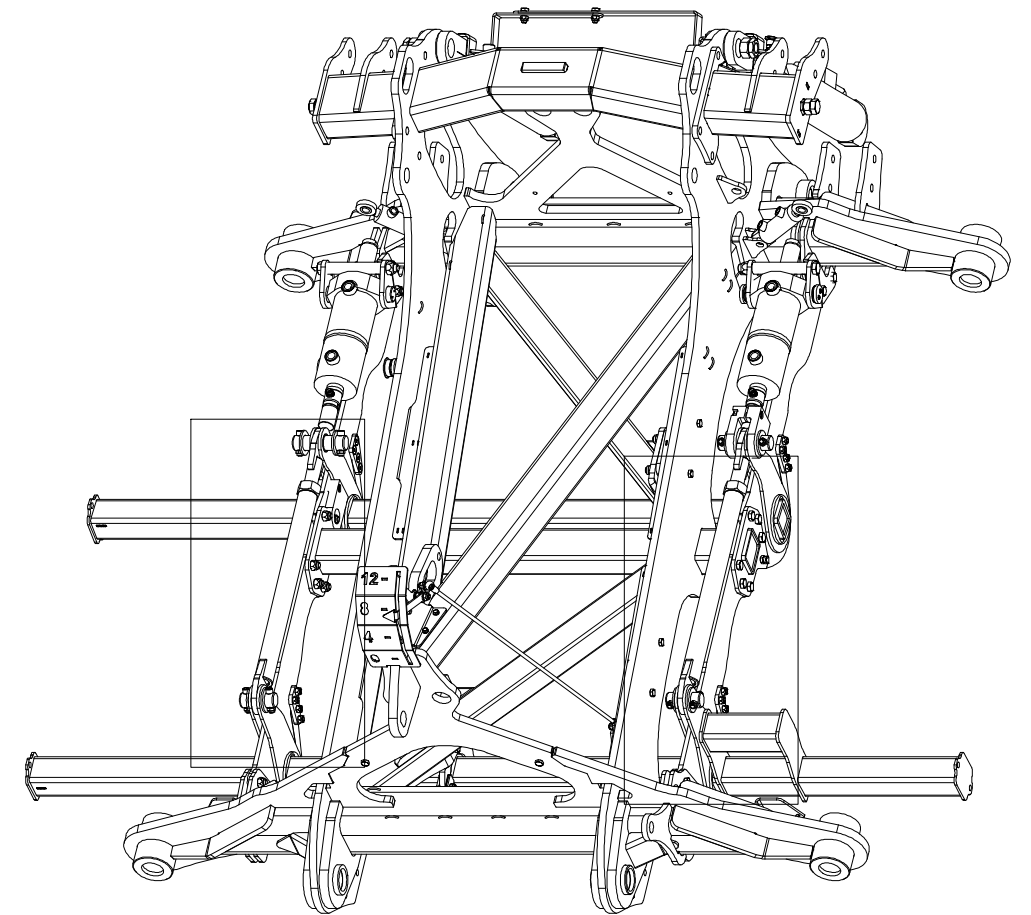
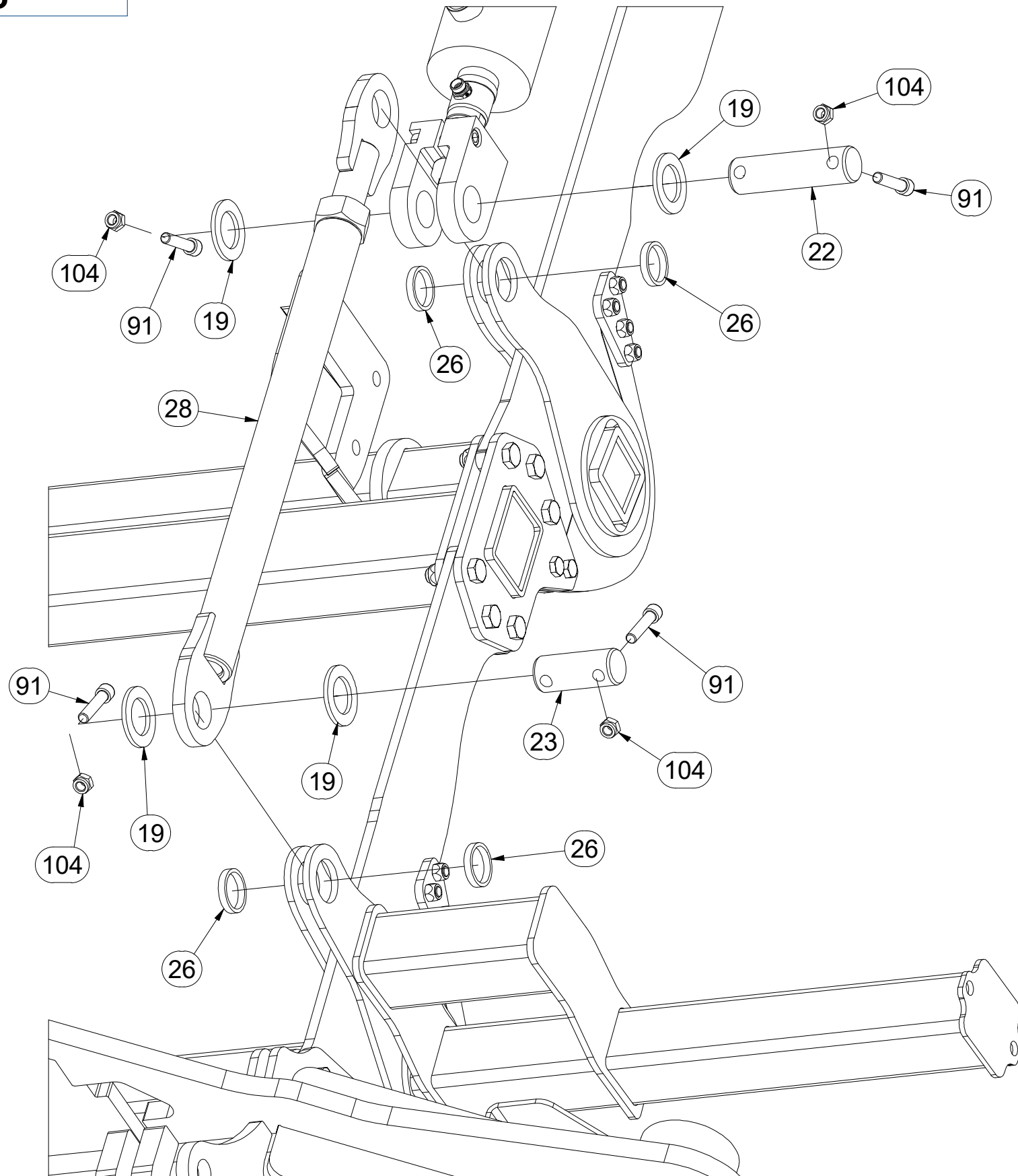
| Pos. | Part Number | Pcs. | Pos. | Part Number | Pcs. |
|------|-------------|------|------|-------------|------|
| 51 | 4019408 | 4 | 106 | m10439 | 2 |
| 70 | m20393 | 2 | 126 | m05890 | 2 |
| 72 | m19146 | 2 | 130 | m14755 | 4 |
| 80 | m05303 | 8 | 134 | m17208 | 2 |
| 93 | m14867 | 2 | 136 | m19897 | 2 |

CZ STŘEDNÍ RÁM
 D RAHMEN, MITTLERE
 F CHASSIS CENTRAL

GB CENTRAL FRAME
 RU СРЕДНЯЯ РАМА
 PL SREDNIA RAMA



3012163



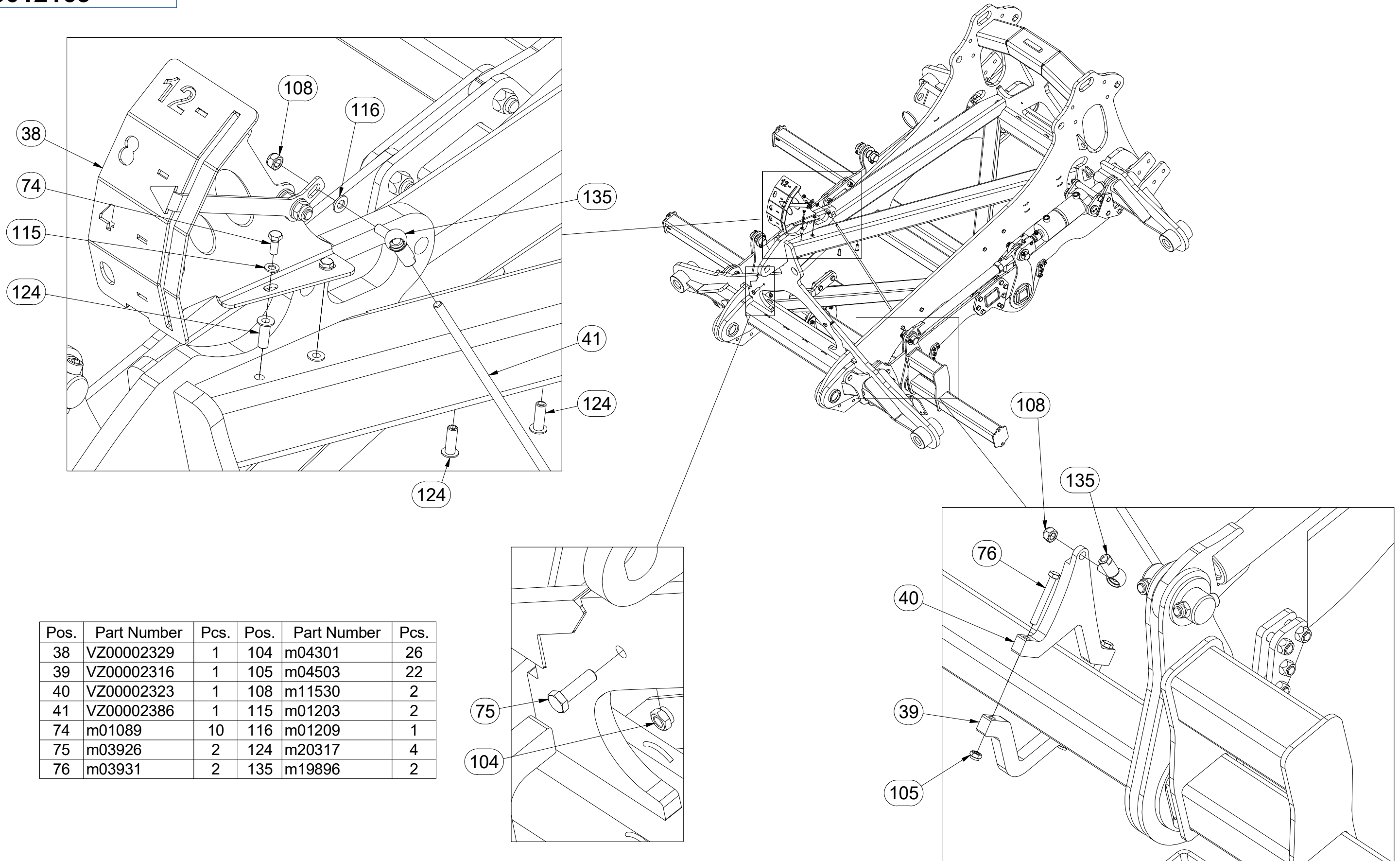
| Pos. | Part Number | Pcs. |
|------|-------------|------|
| 19 | 4013139 | 8 |
| 22 | 4012990 | 2 |
| 23 | 4007645 | 2 |
| 26 | 4024989 | 8 |
| 28 | 4025049 | 2 |
| 91 | m14008 | 8 |
| 104 | m04301 | 26 |

CZ STŘEDNÍ RÁM
 D RAHMEN, MITTLERE
 F CHASSIS CENTRAL

GB CENTRAL FRAME
 RU СРЕДНЯЯ РАМА
 PL SREDNIA RAMA



3012163



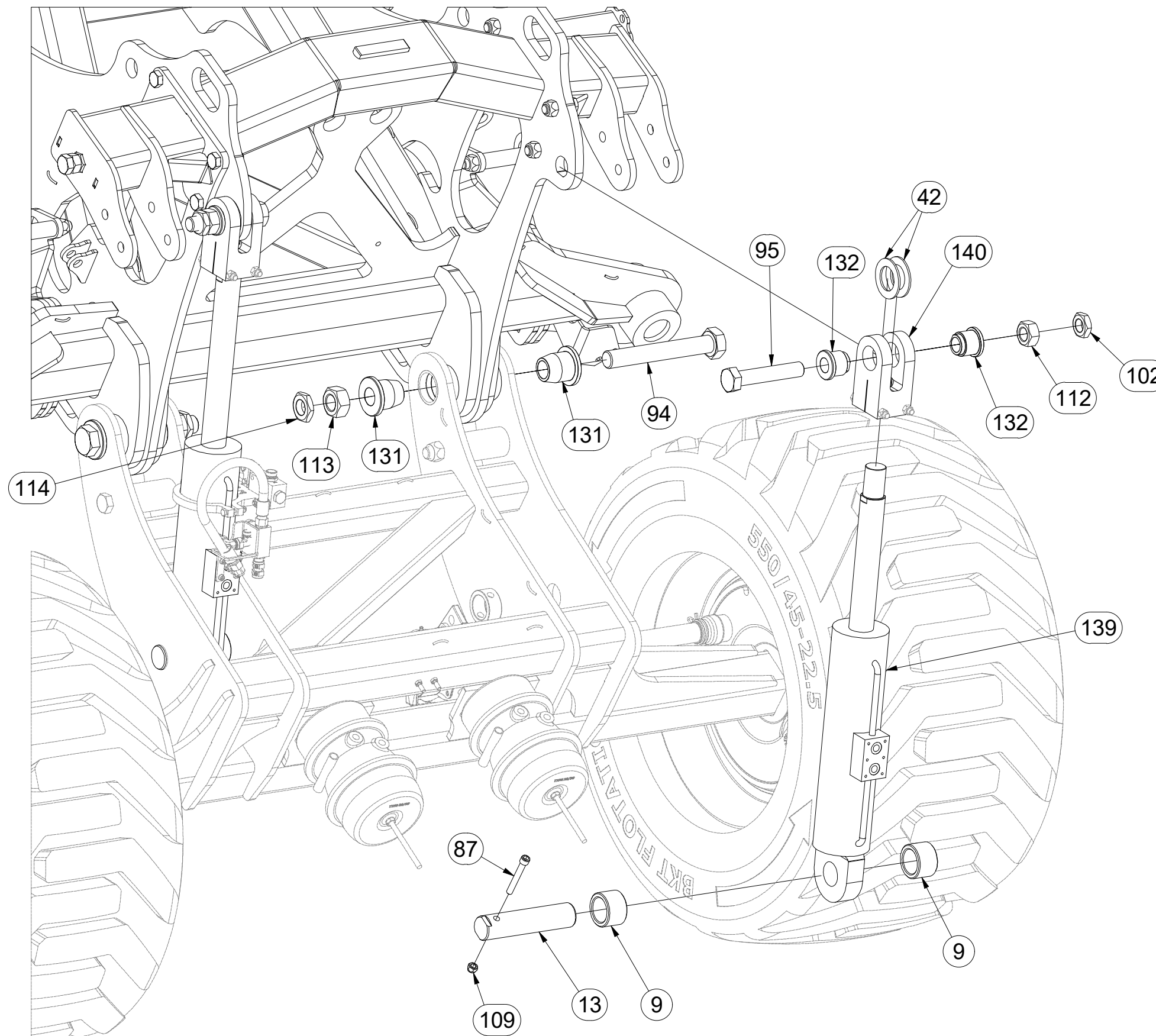
| Pos. | Part Number | Pcs. | Pos. | Part Number | Pcs. |
|------|-------------|------|------|-------------|------|
| 38 | VZ00002329 | 1 | 104 | m04301 | 26 |
| 39 | VZ00002316 | 1 | 105 | m04503 | 22 |
| 40 | VZ00002323 | 1 | 108 | m11530 | 2 |
| 41 | VZ00002386 | 1 | 115 | m01203 | 2 |
| 74 | m01089 | 10 | 116 | m01209 | 1 |
| 75 | m03926 | 2 | 124 | m20317 | 4 |
| 76 | m03931 | 2 | 135 | m19896 | 2 |

- Ⓒ STŘEDNÍ RÁM
- Ⓓ RAHMEN, MITTLERE
- Ⓕ CHASSIS CENTRAL

- Ⓖ CENTRAL FRAME
- Ⓔ СРЕДНЯЯ РАМА
- Ⓟ SREDNIA RAMA



3012163



| Pos. | Part Number | Pcs. |
|------|-------------|------|
| 9 | 4022548 | 4 |
| 13 | 4022370 | 2 |
| 42 | VZ00005561 | 4 |
| 87 | m11032 | 2 |
| 94 | m17817 | 2 |
| 95 | m17819 | 2 |
| 102 | m04043 | 2 |
| 109 | m12134 | 42 |
| 112 | m18821 | 2 |
| 113 | m18973 | 2 |
| 114 | m18974 | 2 |
| 131 | m14790 | 4 |
| 132 | m14793 | 4 |
| 139 | m18978 | 2 |
| 140 | m19130 | 2 |

Ⓒ STŘEDNÍ RÁM

Ⓓ RAHMEN, MITTLERE

Ⓕ CHASSIS CENTRAL

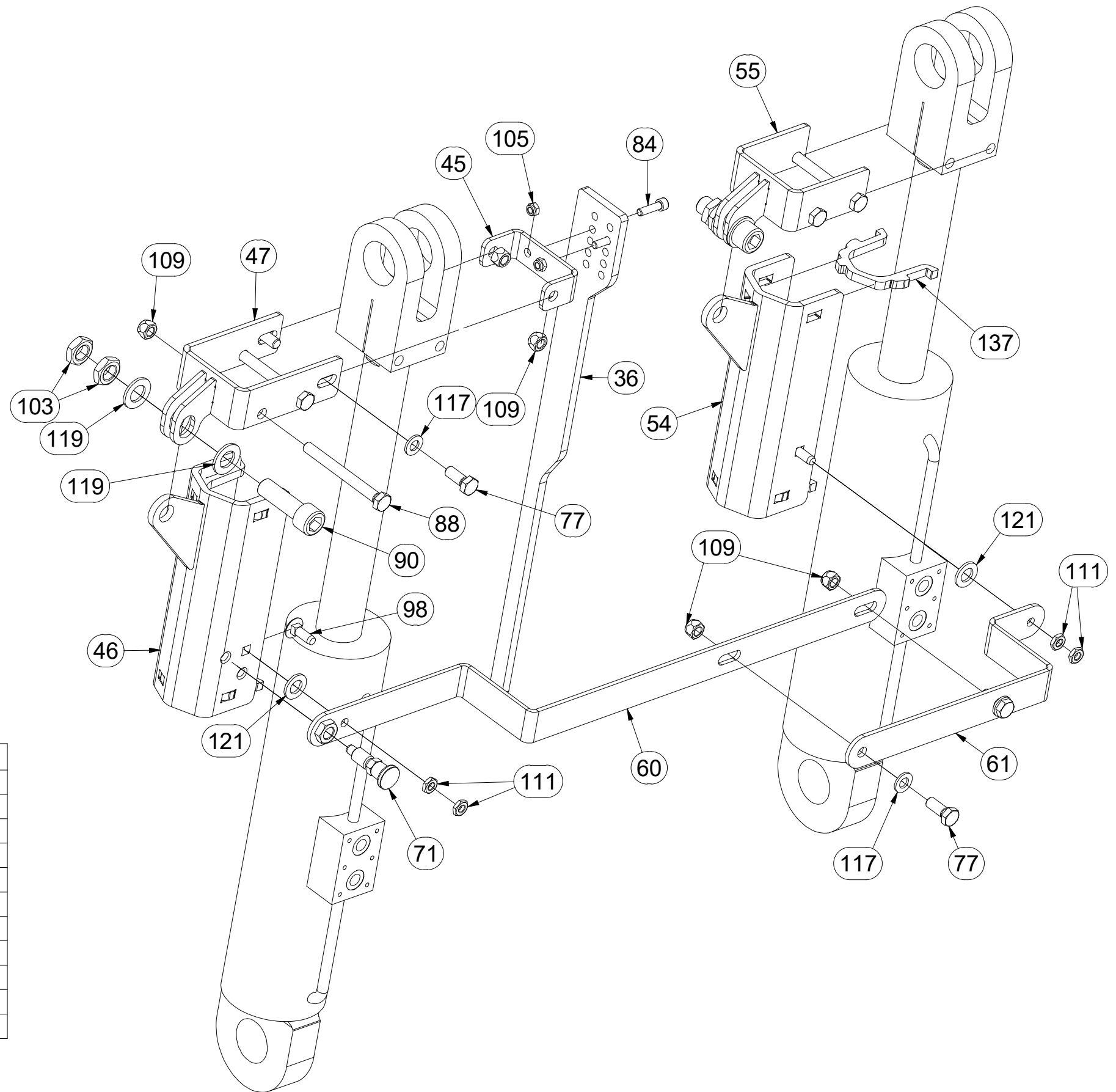
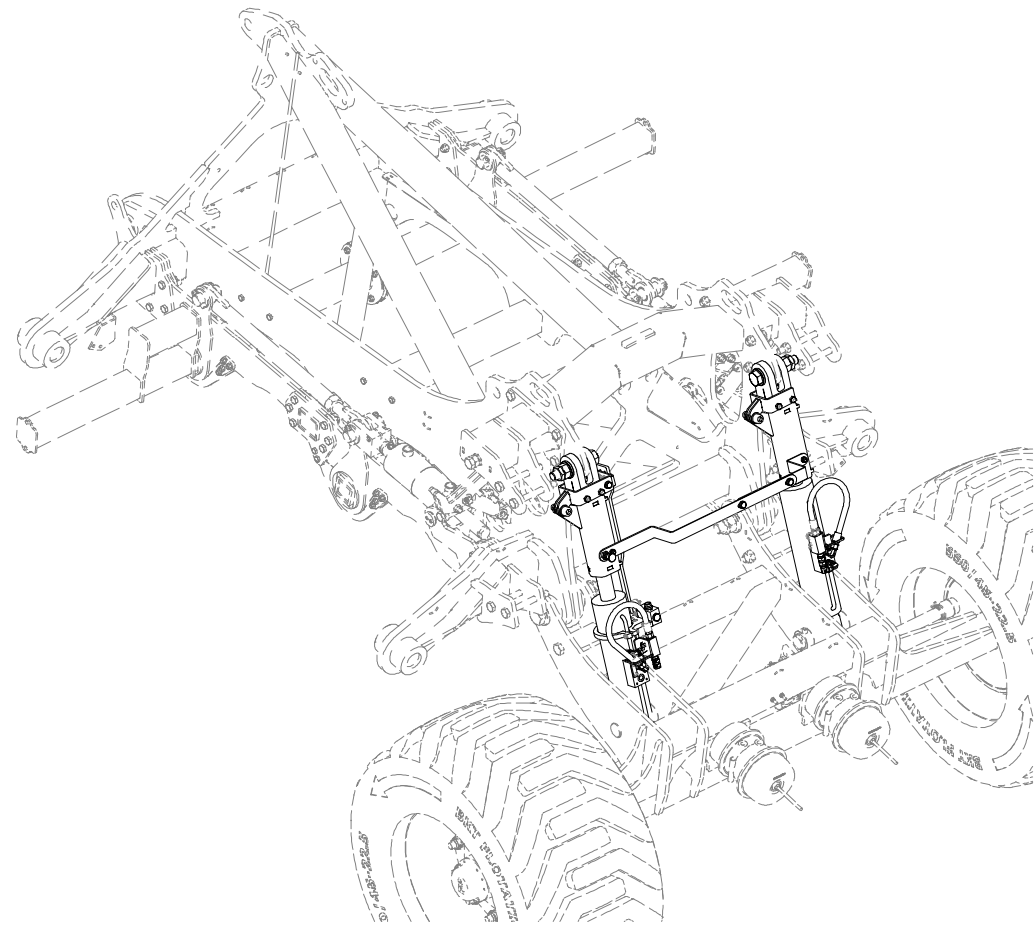
Ⓖ CENTRAL FRAME

Ⓡ СРЕДНЯЯ РАМА

Ⓟ SREDNIA RAMA



3012163



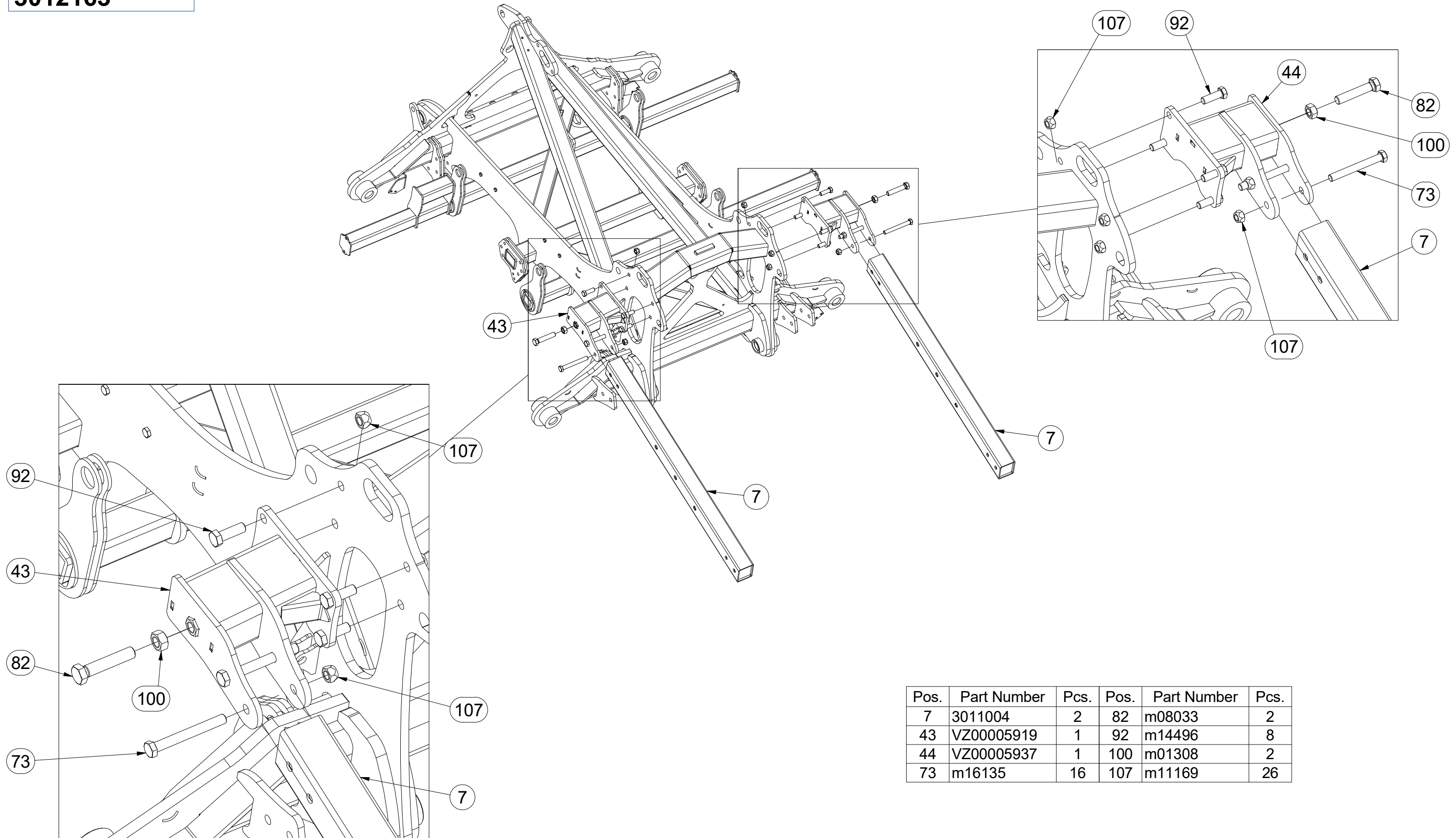
| Pos. | Part Number | Pcs. | Pos. | Part Number | Pcs. |
|------|-------------|------|------|-------------|------|
| 36 | 4026174 | 1 | 88 | m11148 | 4 |
| 45 | 4026489 | 1 | 90 | m13080 | 2 |
| 46 | 4026500 | 1 | 98 | m19153 | 2 |
| 47 | 4026501 | 1 | 103 | m04284 | 4 |
| 54 | VZ00006608 | 1 | 105 | m04503 | 22 |
| 55 | VZ00006610 | 1 | 109 | m12134 | 42 |
| 60 | VZ00011822 | 1 | 111 | m14311 | 4 |
| 61 | VZ00011826 | 1 | 117 | m01214 | 4 |
| 71 | m19308 | 1 | 119 | m03768 | 4 |
| 77 | m04039 | 4 | 121 | m14971 | 2 |
| 84 | m09870 | 10 | 137 | m20334 | 4 |

(CZ) STŘEDNÍ RÁM
 (D) RAHMEN, MITTLERE
 (F) CHASSIS CENTRAL

(GB) CENTRAL FRAME
 (RU) СРЕДНЯЯ РАМА
 (PL) SREDNIA RAMA



3012163



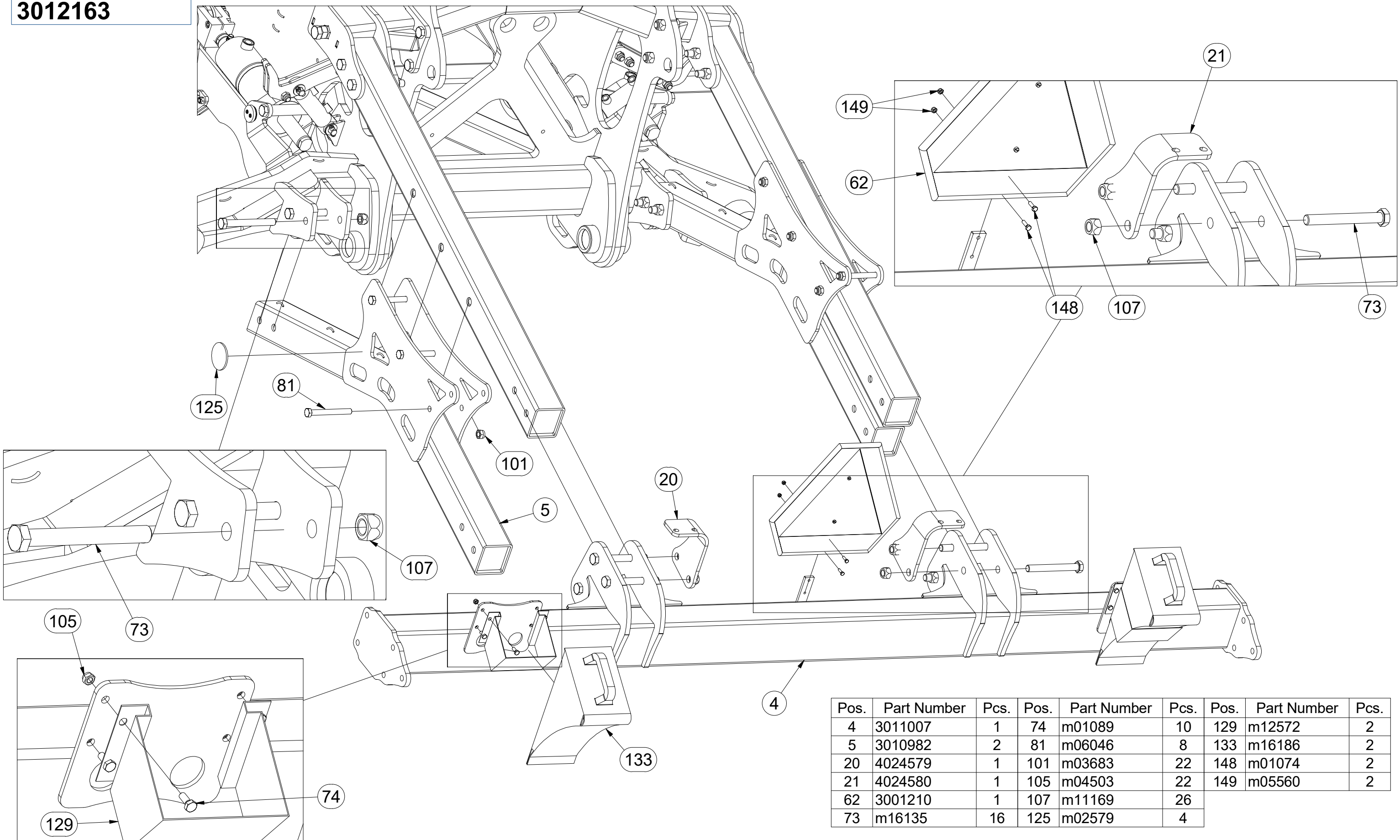
| Pos. | Part Number | Pcs. | Pos. | Part Number | Pcs. |
|------|-------------|------|------|-------------|------|
| 7 | 3011004 | 2 | 82 | m08033 | 2 |
| 43 | VZ00005919 | 1 | 92 | m14496 | 8 |
| 44 | VZ00005937 | 1 | 100 | m01308 | 2 |
| 73 | m16135 | 16 | 107 | m11169 | 26 |

CZ STŘEDNÍ RÁM
 D RAHMEN, MITTLERE
 F CHASSIS CENTRAL

GB CENTRAL FRAME
 RU СРЕДНЯЯ РАМА
 PL ŚREDNIA RAMA



3012163



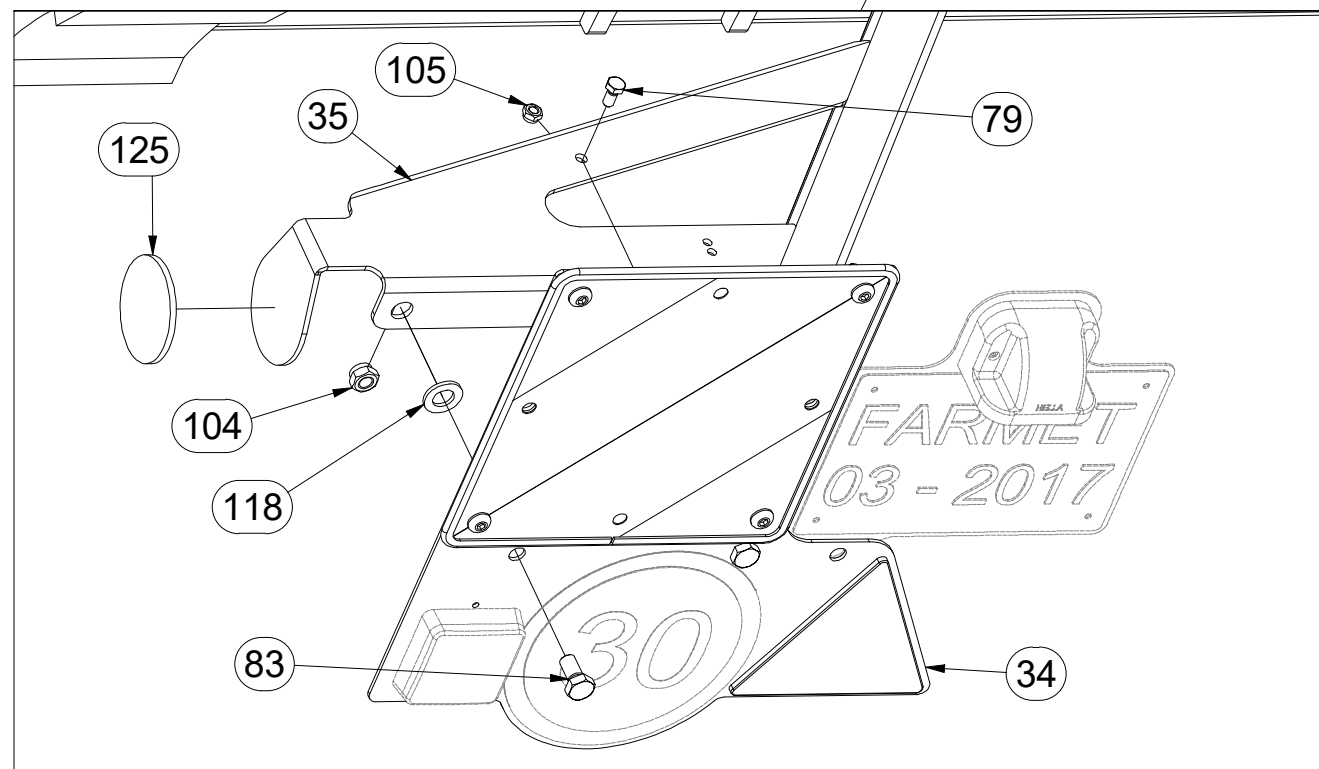
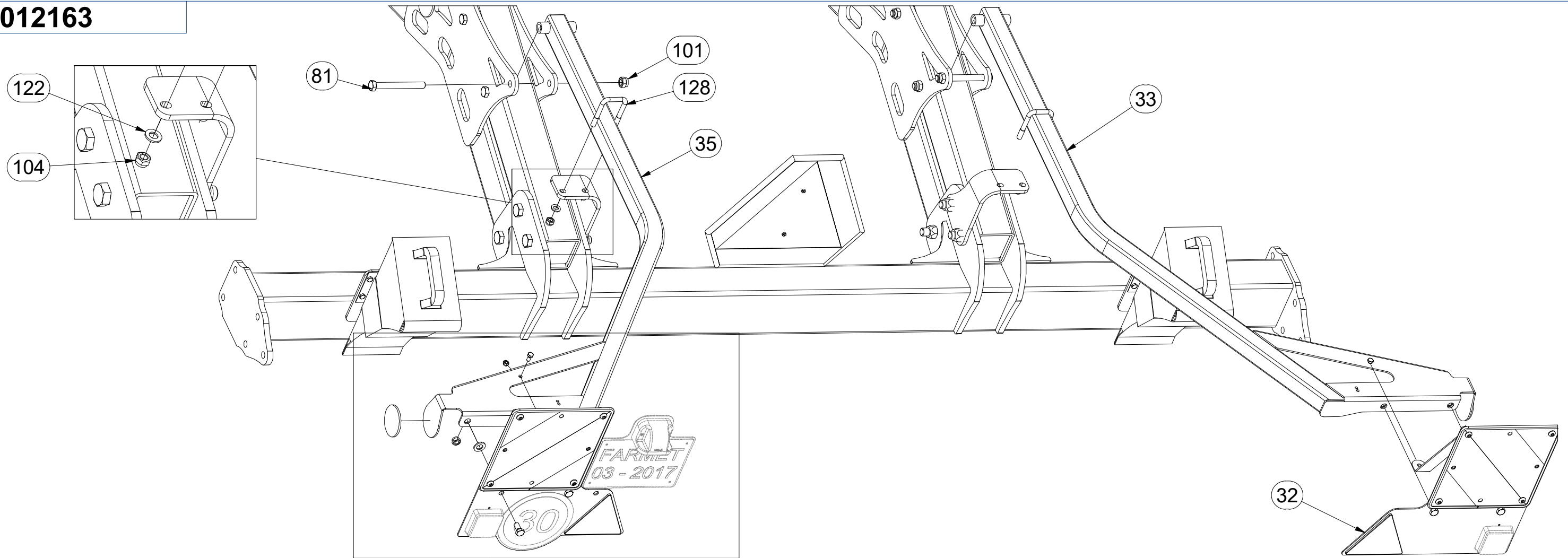
| Pos. | Part Number | Pcs. | Pos. | Part Number | Pcs. | Pos. | Part Number | Pcs. |
|------|-------------|------|------|-------------|------|------|-------------|------|
| 4 | 3011007 | 1 | 74 | m01089 | 10 | 129 | m12572 | 2 |
| 5 | 3010982 | 2 | 81 | m06046 | 8 | 133 | m16186 | 2 |
| 20 | 4024579 | 1 | 101 | m03683 | 22 | 148 | m01074 | 2 |
| 21 | 4024580 | 1 | 105 | m04503 | 22 | 149 | m05560 | 2 |
| 62 | 3001210 | 1 | 107 | m11169 | 26 | | | |
| 73 | m16135 | 16 | 125 | m02579 | 4 | | | |

CZ STŘEDNÍ RÁM
 D RAHMEN, MITTLERE
 F CHASSIS CENTRAL

GB CENTRAL FRAME
 RU СРЕДНЯЯ РАМА
 PL SREDNIA RAMA



3012163



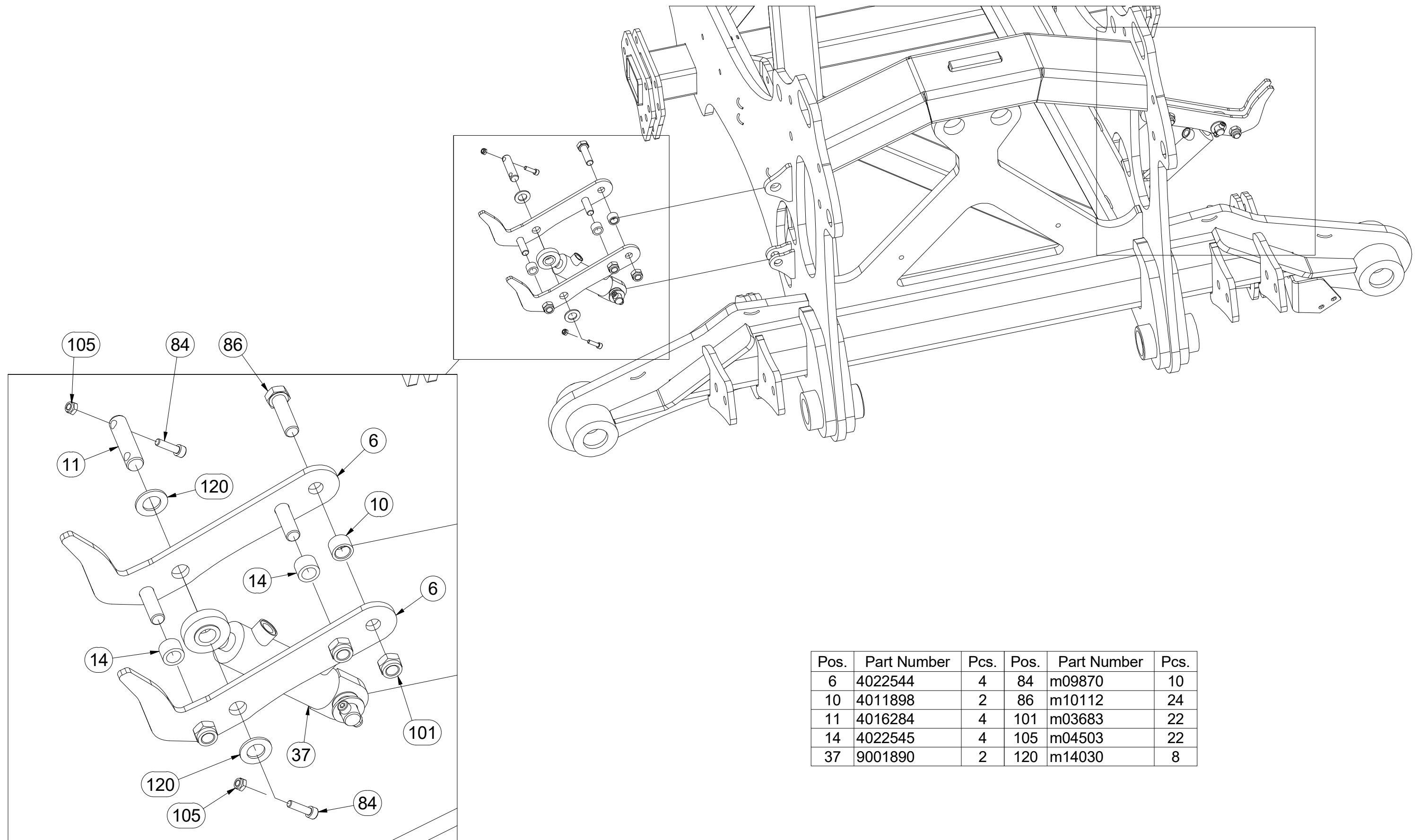
| Pos. | Part Number | Pcs. | Pos. | Part Number | Pcs. |
|------|-------------|------|------|-------------|------|
| 32 | 3012400 | 1 | 101 | m03683 | 22 |
| 33 | 3012550 | 1 | 104 | m04301 | 26 |
| 34 | 3012398 | 1 | 105 | m04503 | 22 |
| 35 | 3012551 | 1 | 118 | m01219 | 1 |
| 79 | m04553 | 2 | 122 | m17741 | 4 |
| 81 | m06046 | 8 | 125 | m02579 | 4 |
| 83 | m08549 | 4 | 128 | m10295 | 2 |

CZ STŘEDNÍ RÁM
 D RAHMEN, MITTLERE
 F CHASSIS CENTRAL

GB CENTRAL FRAME
 RU СРЕДНЯЯ РАМА
 PL SREDNIA RAMA



3012163



| Pos. | Part Number | Pcs. | Pos. | Part Number | Pcs. |
|------|-------------|------|------|-------------|------|
| 6 | 4022544 | 4 | 84 | m09870 | 10 |
| 10 | 4011898 | 2 | 86 | m10112 | 24 |
| 11 | 4016284 | 4 | 101 | m03683 | 22 |
| 14 | 4022545 | 4 | 105 | m04503 | 22 |
| 37 | 9001890 | 2 | 120 | m14030 | 8 |

Ⓒ UKAZATEL

Ⓓ ANZEIGE

Ⓕ INDICATEUR

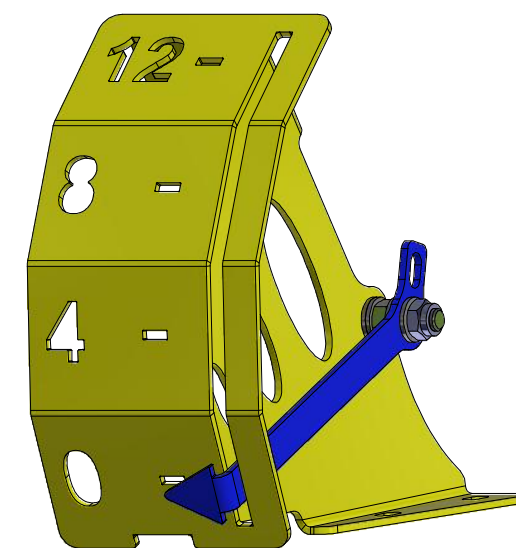
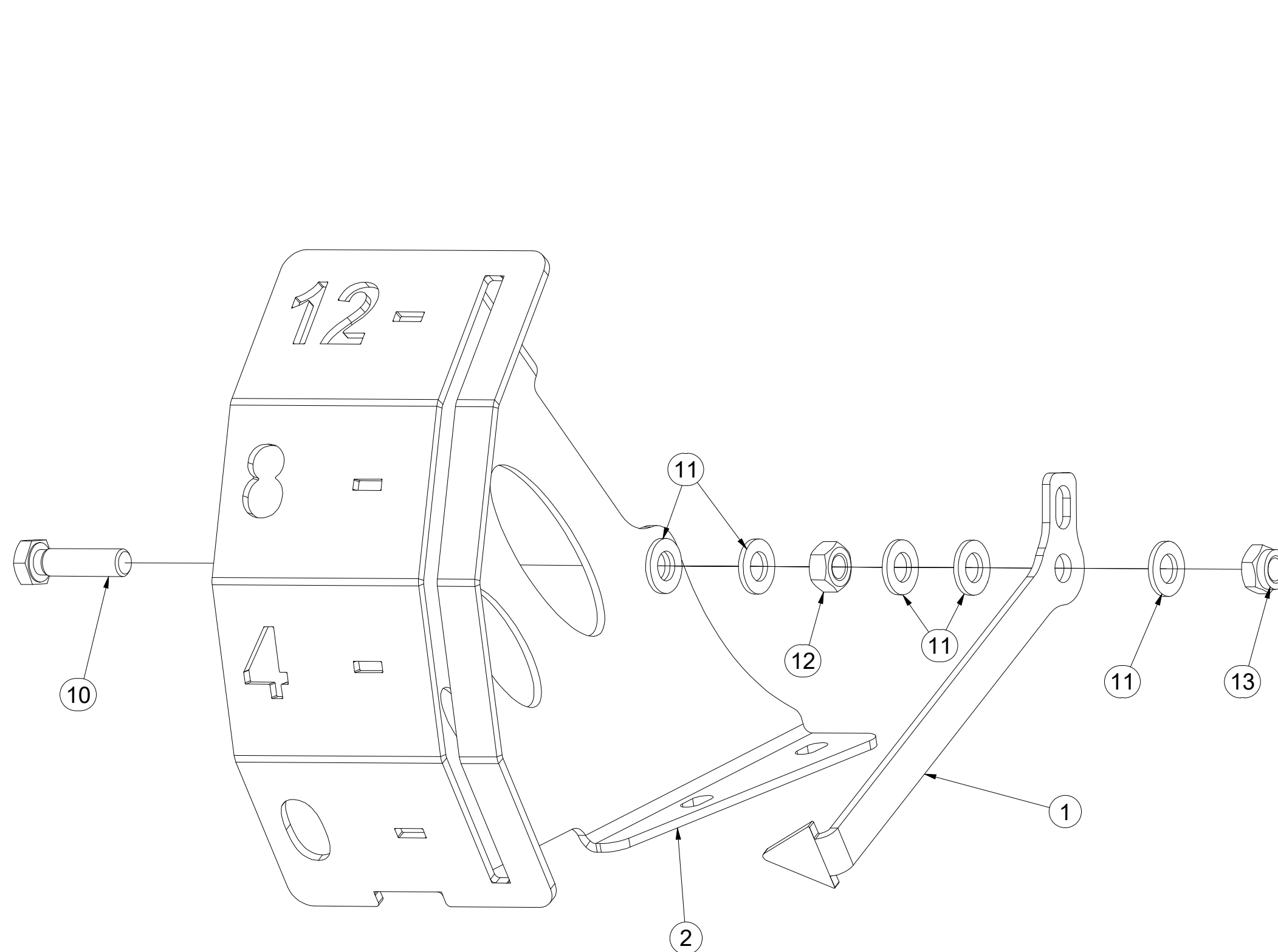
Ⓖ POINTER

Ⓡ УКАЗАТЕЛЬ

Ⓟ WSKAŹNIK



VZ00002329



| Pos. | Part Number | Pcs. |
|------|-------------|------|
| 1 | VZ00010452 | 1 |
| 2 | VZ00002332 | 1 |
| 10 | m01128 | 1 |
| 11 | m01214 | 5 |
| 12 | m01305 | 1 |
| 13 | m13618 | 1 |

ⒸZ BOČNÍ RÁM PRAVÝ

Ⓓ RECHTER SEITENRAHMEN

Ⓕ CHASSIS LATERAL DROIT

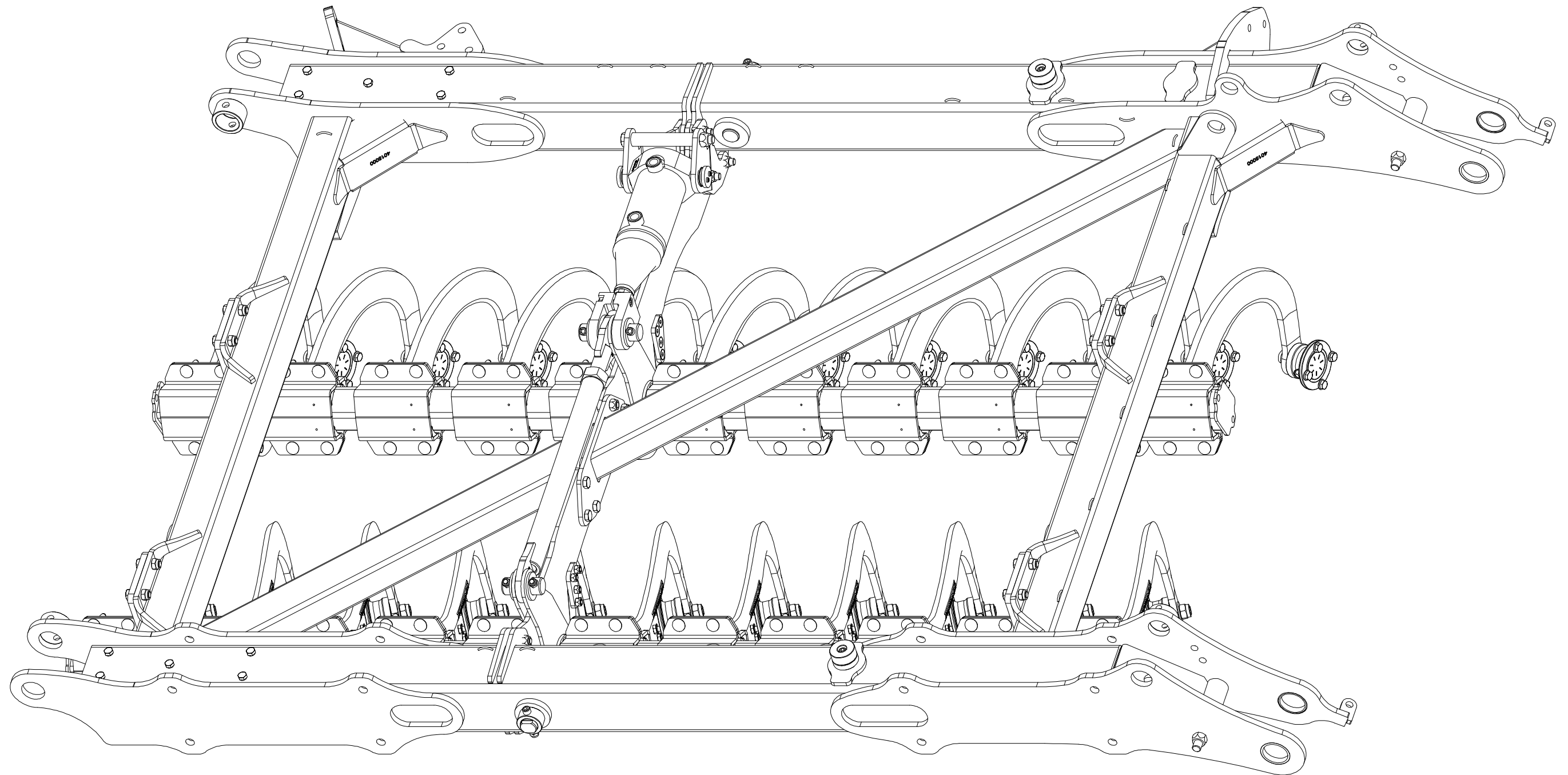
ⒸGB RIGHT SIDE FRAME

ⒸRU БОКОВАЯ РАМА ПРАВАЯ

ⒸPL RAMA BOCZNA PRAWA

Farmet

3012164



ⒸZ BOČNÍ RÁM PRAVÝ

Ⓓ RECHTER SEITENRAHMEN

Ⓕ CHASSIS LATERAL DROIT

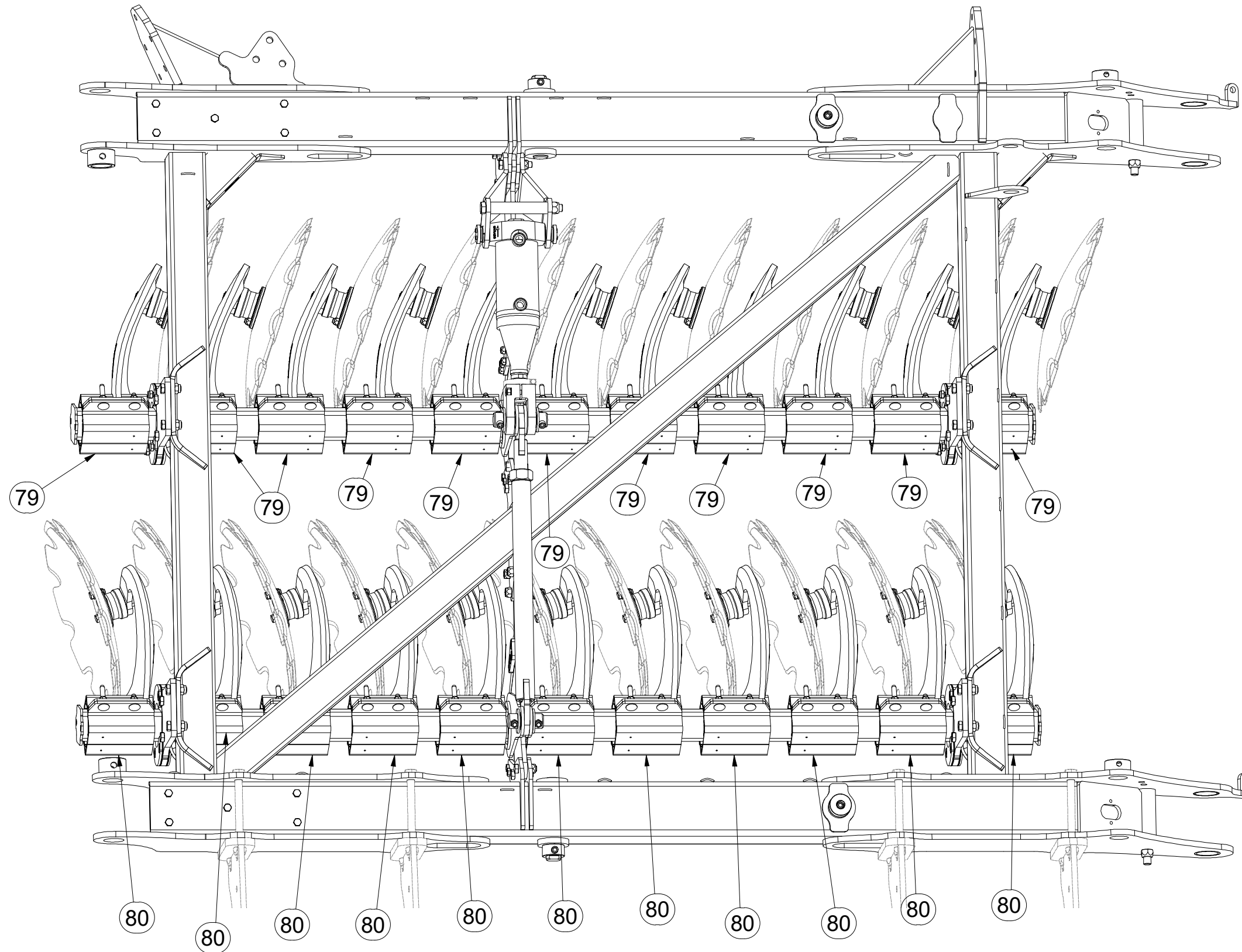
ⒸB RIGHT SIDE FRAME

ⒹU БОКОВАЯ РАМА ПРАВАЯ

ⒸL RAMA BOCZNA PRAWA



3012164



| Pos. | Part Number | Pcs. |
|------|-------------|------|
| 79 | 3012532 | 11 |
| 80 | 3012531 | 11 |

ⒸZ BOČNÍ RÁM PRAVÝ

Ⓓ RECHTER SEITENRAHMEN

Ⓕ CHASSIS LATERAL DROIT

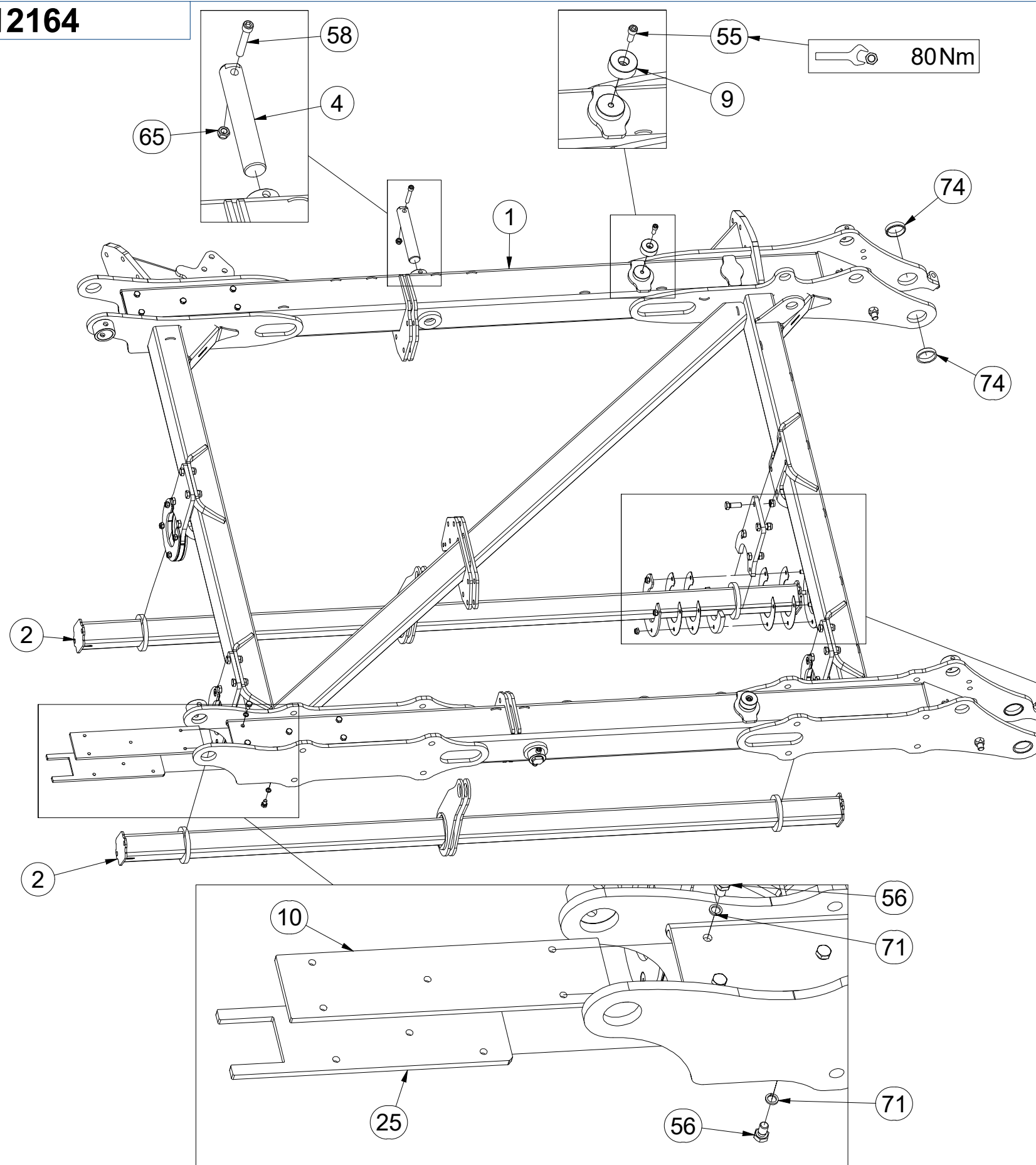
ⒸB RIGHT SIDE FRAME

ⒹU БОКОВАЯ РАМА ПРАВАЯ

ⒹL RAMA BOCZNA PRAWA

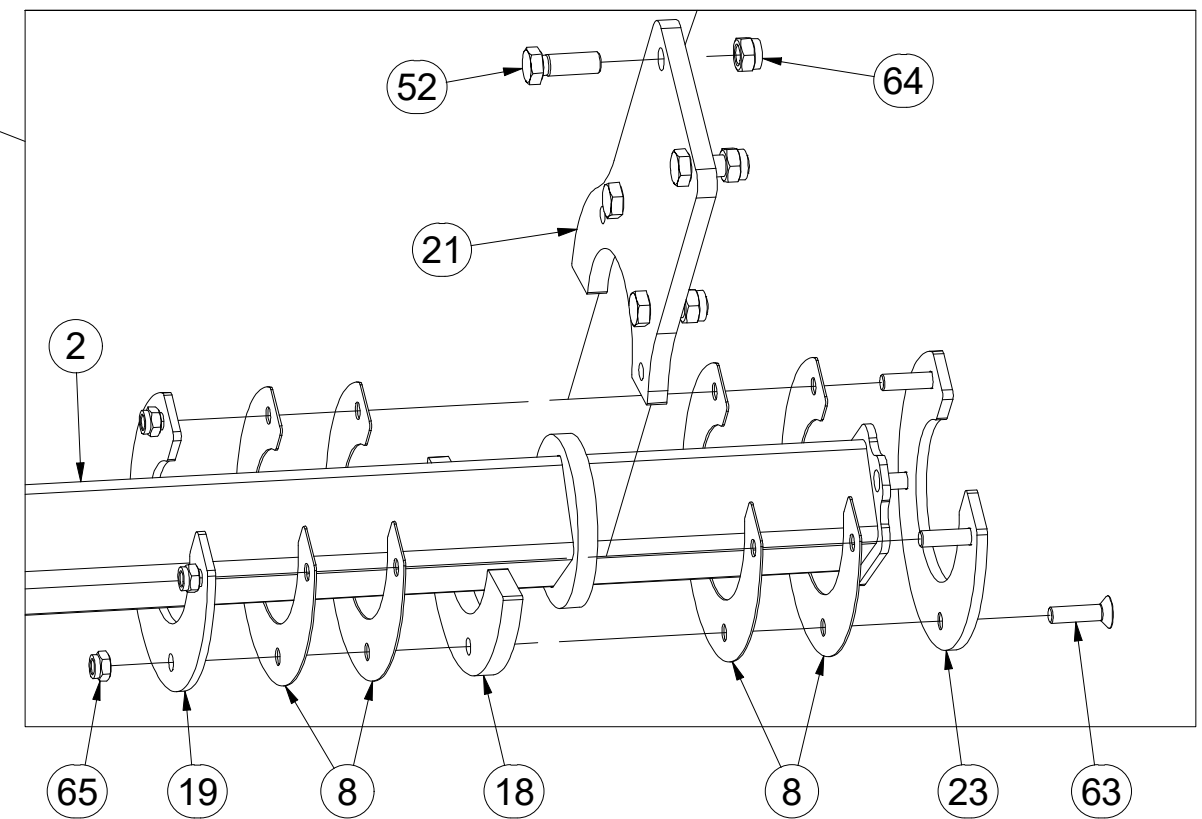


3012164



80Nm

| Pos. | Part Number | Pcs. | Pos. | Part Number | Pcs. |
|------|-------------|------|------|-------------|------|
| 1 | 2001195 | 1 | 25 | VZ00011078 | 2 |
| 2 | 2001197 | 2 | 52 | m02254 | 16 |
| 4 | 4022373 | 2 | 55 | m12615 | 2 |
| 8 | 4025238 | 16 | 56 | m06377 | 20 |
| 9 | 4015319 | 2 | 58 | m13033 | 2 |
| 10 | 4022368 | 2 | 63 | m20532 | 24 |
| 18 | 4025240 | 4 | 64 | m03683 | 16 |
| 19 | 4025237 | 4 | 65 | m04301 | 22 |
| 21 | 4025276 | 4 | 71 | m03988 | 20 |
| 23 | VZ00007358 | 4 | 74 | m14761 | 4 |



ⒸZ BOČNÍ RÁM PRAVÝ

Ⓓ RECHTER SEITENRAHMEN

Ⓕ CHASSIS LATERAL DROIT

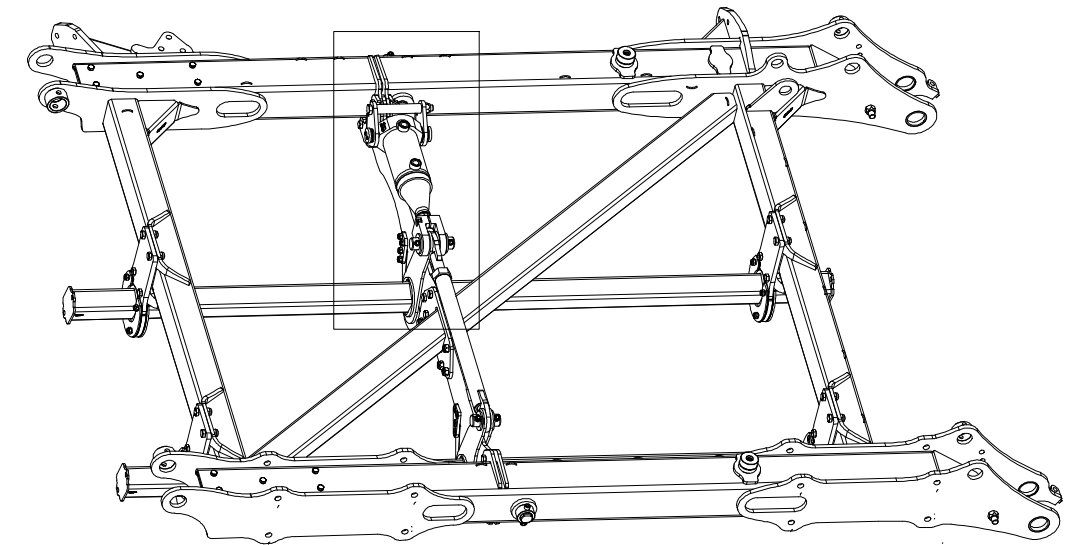
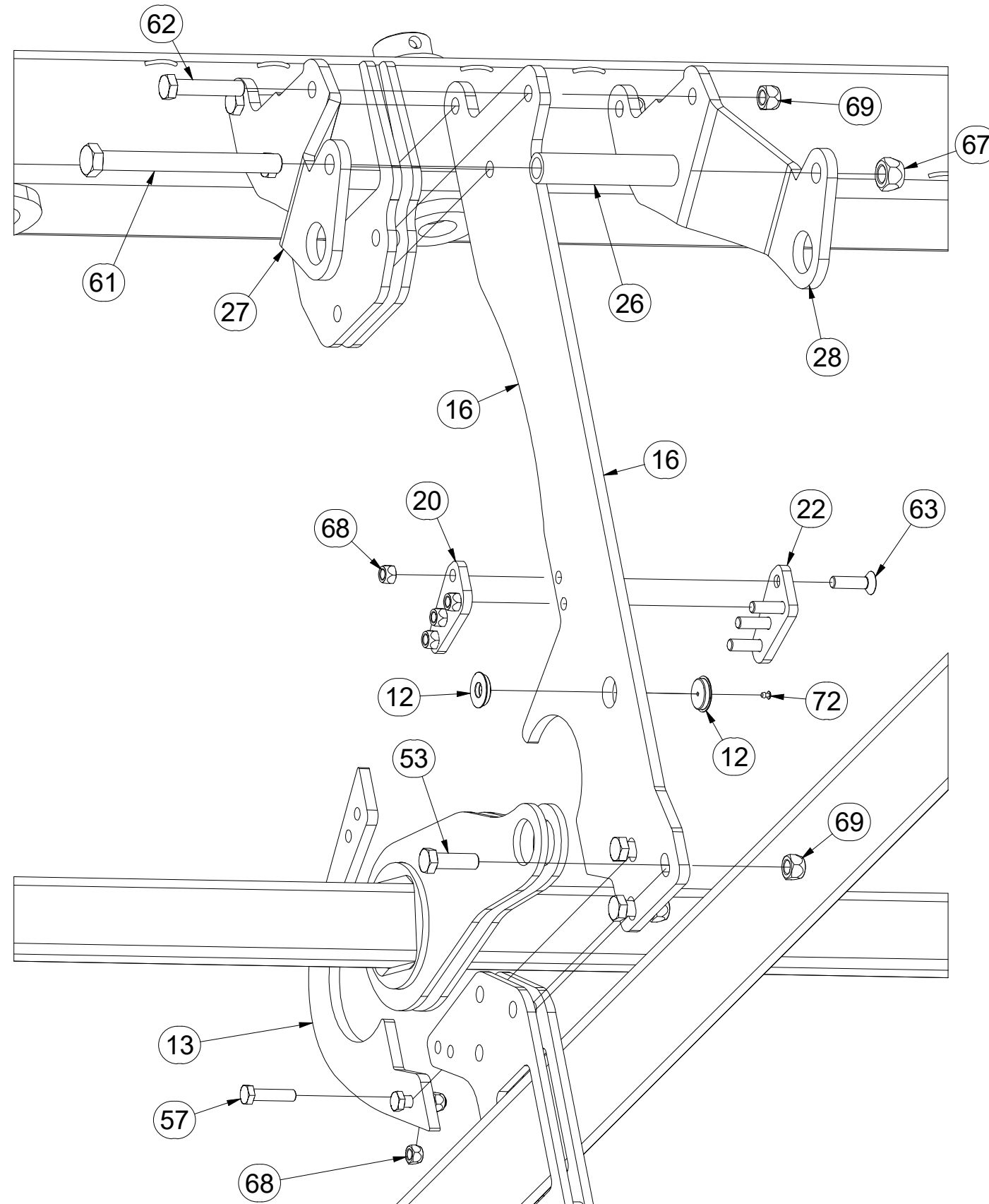
ⒸB RIGHT SIDE FRAME

ⒸU БОКОВАЯ РАМА ПРАВАЯ

ⒸL RAMA BOCZNA PRAWA



3012164



| Pos. | Part Number | Pcs. | Pos. | Part Number | Pcs. |
|------|-------------|------|------|-------------|------|
| 2 | 2001197 | 2 | 53 | m04355 | 9 |
| 12 | 4025155 | 4 | 57 | m11579 | 4 |
| 13 | 4024992 | 1 | 61 | m17543 | 1 |
| 16 | 4025071 | 1 | 62 | m18019 | 3 |
| 20 | 4025020 | 2 | 63 | m20532 | 24 |
| 22 | VZ00007326 | 1 | 67 | m11169 | 1 |
| 26 | VZ00009331 | 1 | 68 | m12134 | 12 |
| 27 | VZ00009849 | 1 | 69 | m13846 | 12 |
| 28 | VZ00009850 | 1 | 72 | m05587 | 2 |

ⒸZ BOČNÍ RÁM PRAVÝ

Ⓓ RECHTER SEITENRAHMEN

Ⓕ CHASSIS LATERAL DROIT

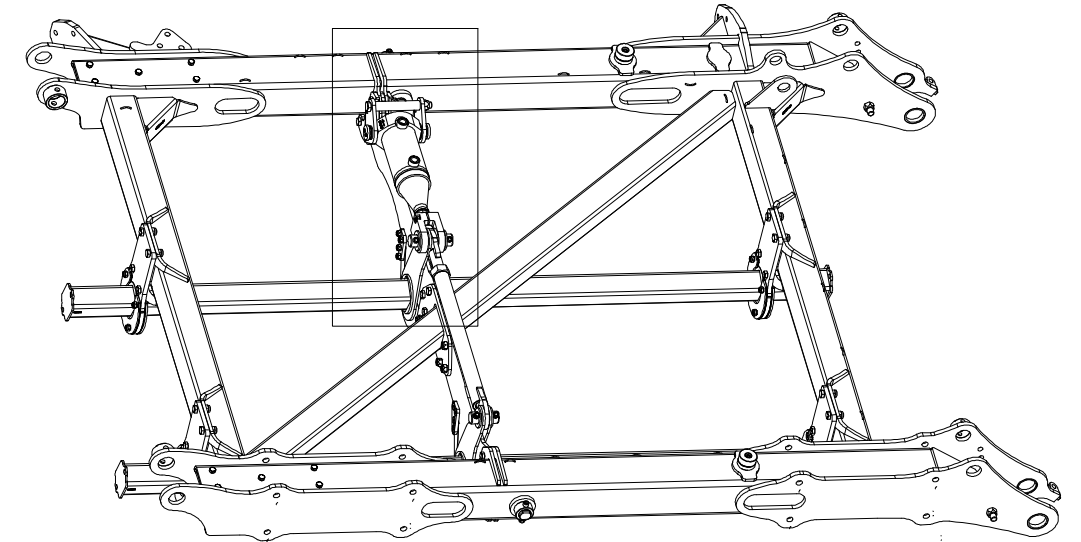
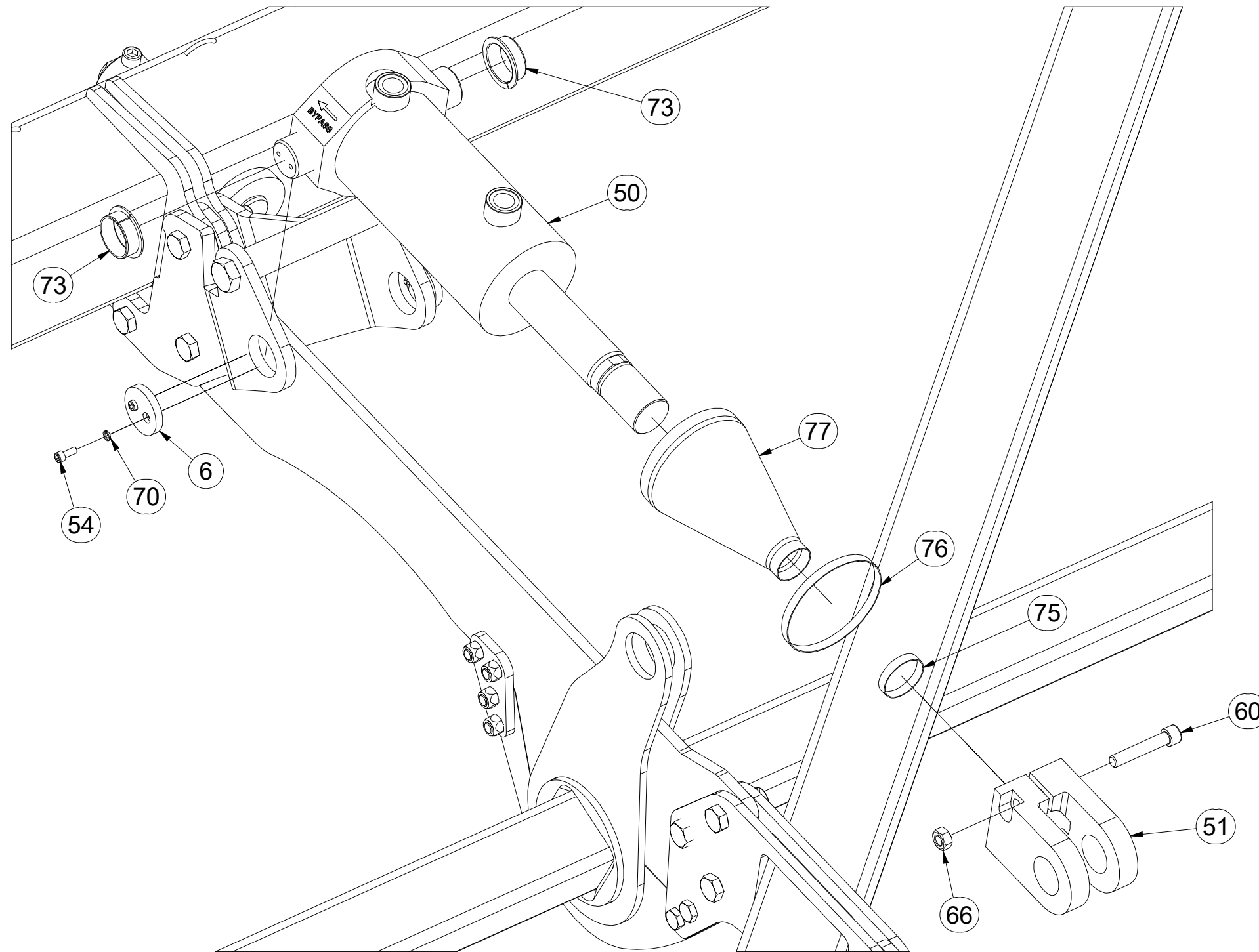
ⒸB RIGHT SIDE FRAME

ⒸR БОКОВАЯ РАМА ПРАВАЯ

ⒸL RAMA BOCZNA PRAWA



3012164



| Pos. | Part Number | Pcs. |
|------|-------------|------|
| 6 | 4019408 | 2 |
| 50 | m20396 | 1 |
| 51 | m19146 | 1 |
| 54 | m05303 | 4 |
| 60 | m14867 | 1 |
| 66 | m10439 | 1 |
| 70 | m01200 | 4 |
| 73 | m14755 | 2 |
| 75 | m05890 | 1 |
| 76 | m17208 | 1 |
| 77 | m19897 | 1 |

ⒸZ BOČNÍ RÁM PRAVÝ

Ⓓ RECHTER SEITENRAHMEN

Ⓕ CHASSIS LATERAL DROIT

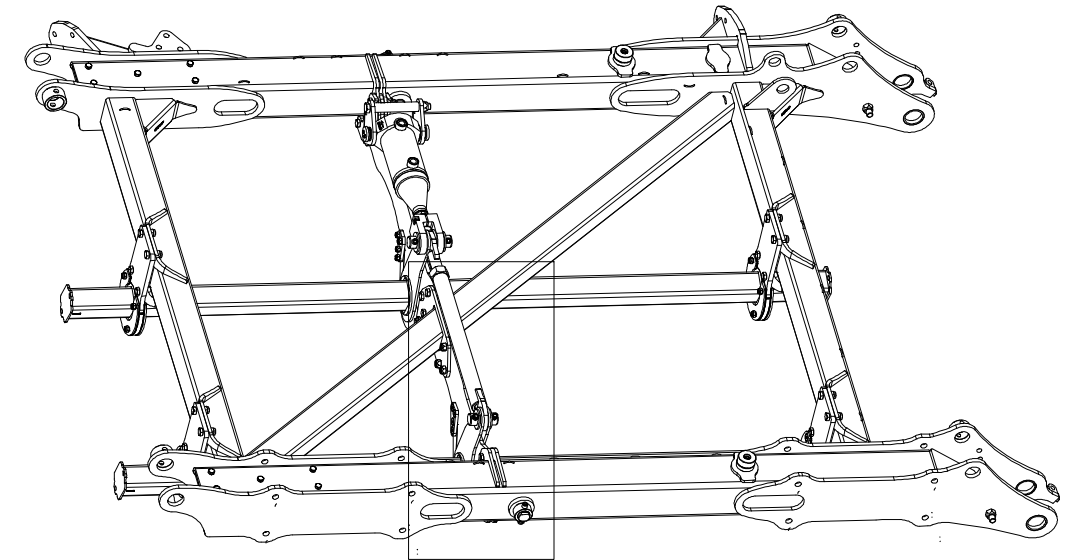
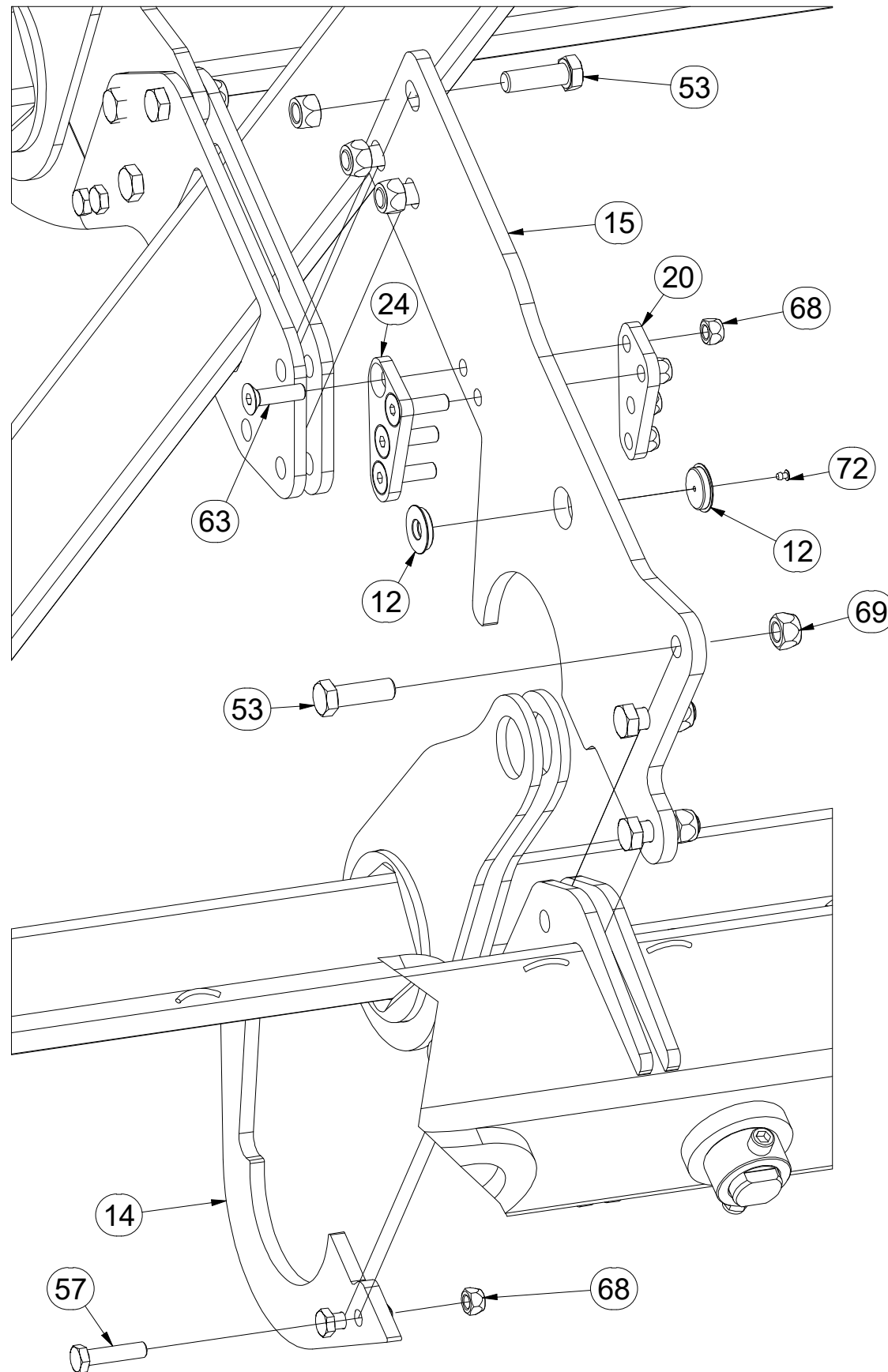
ⒸB RIGHT SIDE FRAME

ⒸU БОКОВАЯ РАМА ПРАВАЯ

ⒸL RAMA BOCZNA PRAWA



3012164



| Pos. | Part Number | Pcs. |
|------|-------------|------|
| 12 | 4025155 | 4 |
| 14 | 4024993 | 1 |
| 15 | 4025070 | 1 |
| 20 | 4025020 | 2 |
| 24 | VZ00007730 | 1 |
| 53 | m04355 | 9 |
| 57 | m11579 | 4 |
| 63 | m20532 | 24 |
| 68 | m12134 | 12 |
| 69 | m13846 | 12 |
| 72 | m05587 | 2 |

ⒸZ BOČNÍ RÁM PRAVÝ

Ⓓ RECHTER SEITENRAHMEN

Ⓕ CHASSIS LATERAL DROIT

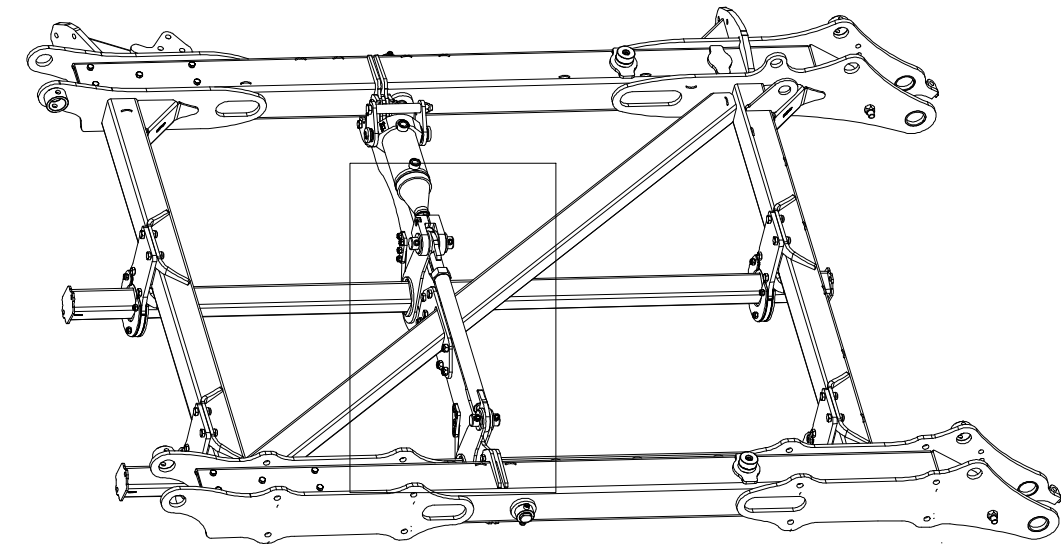
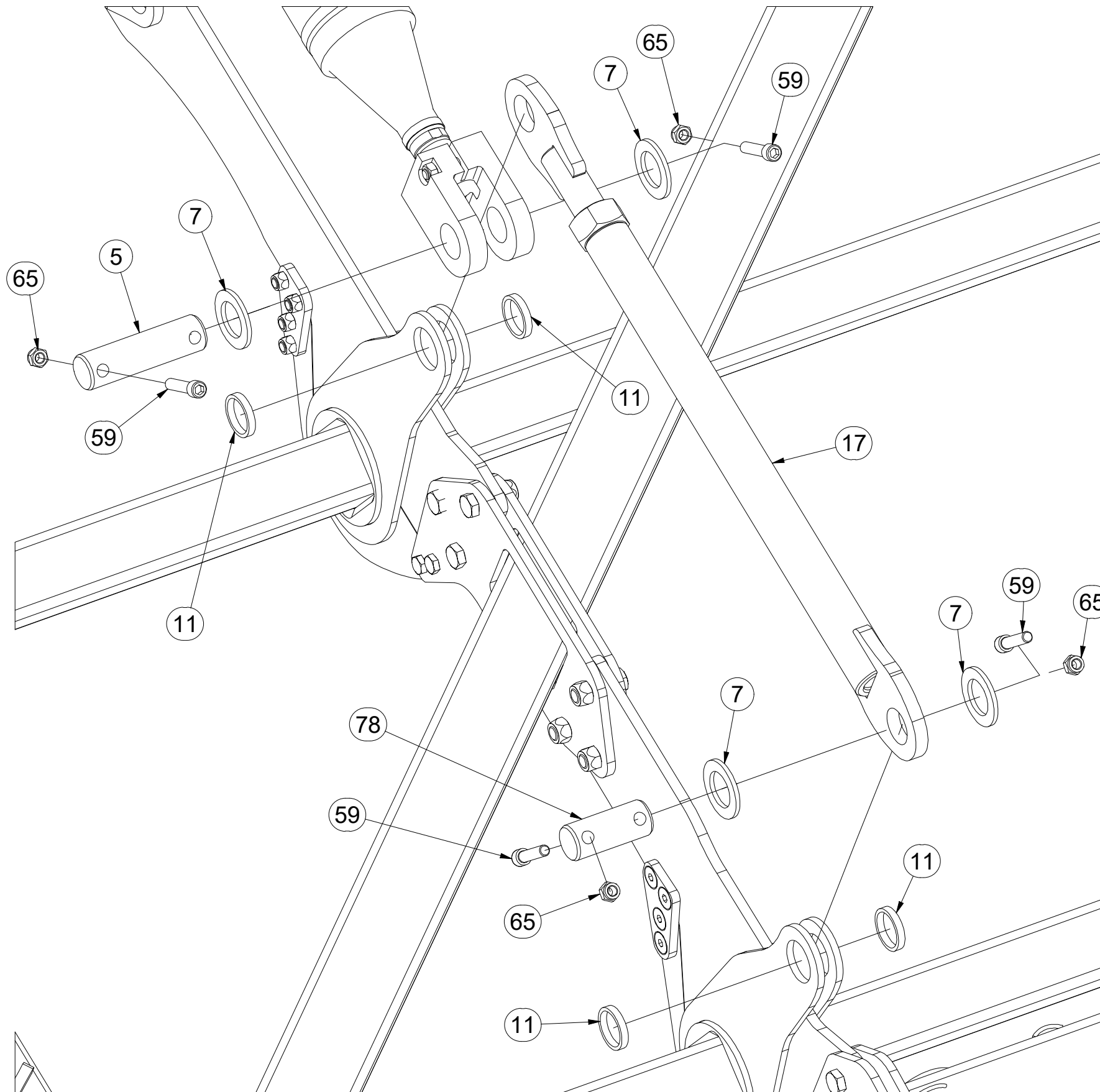
ⒸB RIGHT SIDE FRAME

ⒸU БОКОВАЯ РАМА ПРАВАЯ

ⒸL RAMA BOCZNA PRAWA



3012164



| Pos. | Part Number | Pcs. |
|------|-------------|------|
| 5 | 4012990 | 1 |
| 7 | 4013139 | 4 |
| 11 | 4024989 | 4 |
| 17 | 4025049 | 1 |
| 59 | m14008 | 4 |
| 65 | m04301 | 22 |
| 78 | 4007645 | 1 |

Ⓒ RÁM PRAVÝ - KRAJNÍ

Ⓓ RECHTER RAHMEN - AM RAND

Ⓕ CHASSIS DROIT - D'EXTREMITÉ RAMA

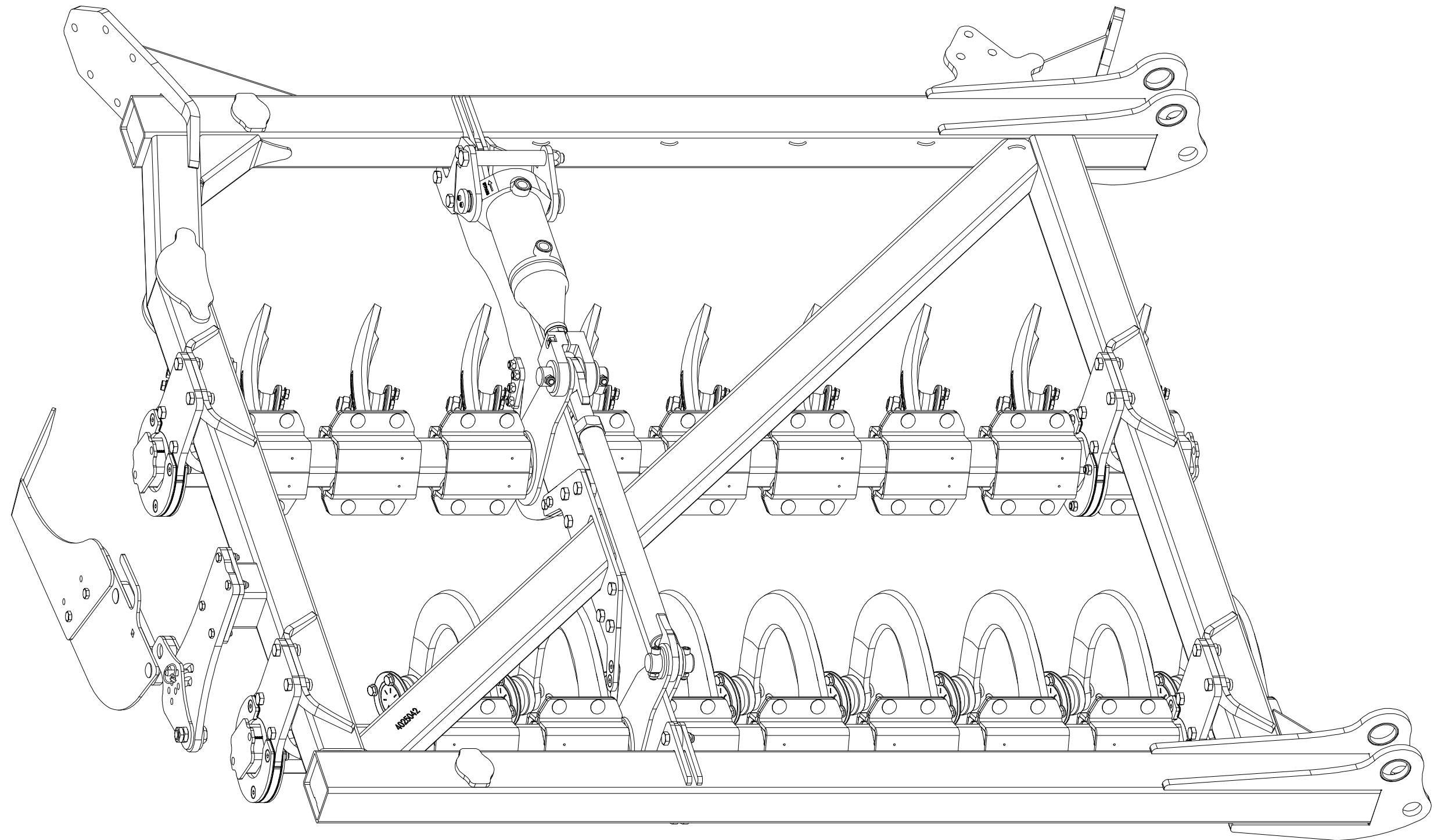
Ⓖ RIGHT FRAME - OUTER

Ⓡ РАМА ПРАВАЯ - КРАЙНЯЯ

Ⓢ RAMA PRAWA - SKRAJNA

Farmet

3012165



Ⓒ RÁM PRAVÝ - KRAJNÍ

Ⓓ RECHTER RAHMEN - AM RAND

Ⓕ CHASSIS DROIT - D'EXTREME RAMA

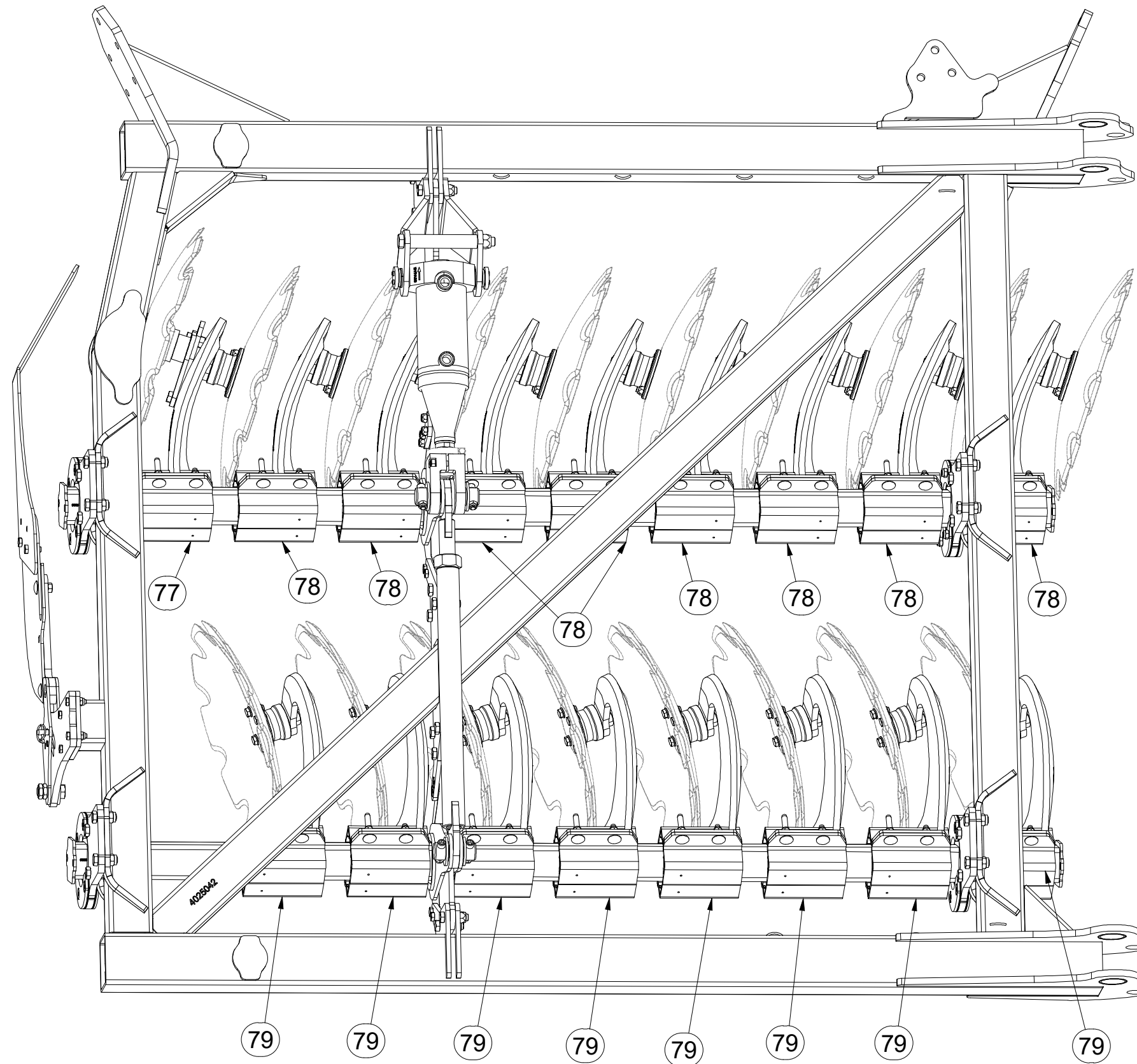
Ⓖ RIGHT FRAME - OUTER

Ⓡ РАМА ПРАВАЯ - КРАЙНЯЯ

Ⓢ RAMA PRAWA - SKRAJNA



3012165



| Pos. | Part Number | Pcs. |
|------|-------------|------|
| 77 | 3012349 | 1 |
| 78 | 3012532 | 8 |
| 79 | 3012531 | 8 |

ⒸZ RÁM PRAVÝ - KRAJNÍ

Ⓓ RECHTER RAHMEN - AM RAND

Ⓕ CHASSIS DROIT - D'EXTREME RAMA

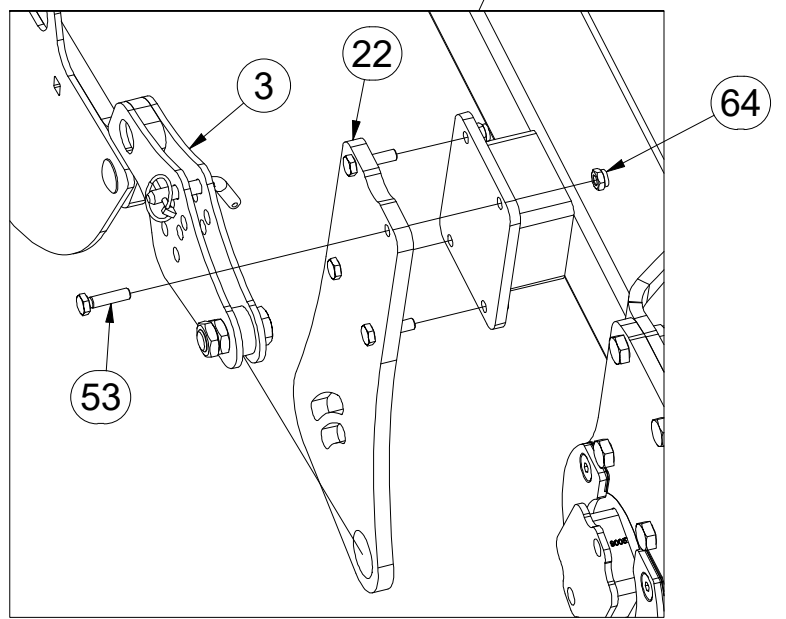
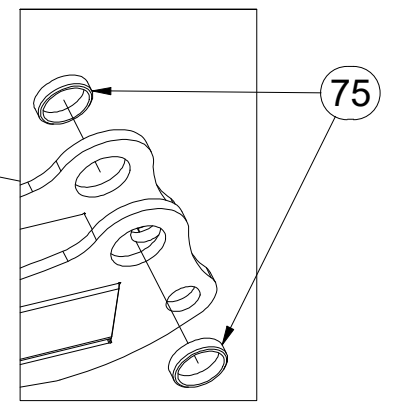
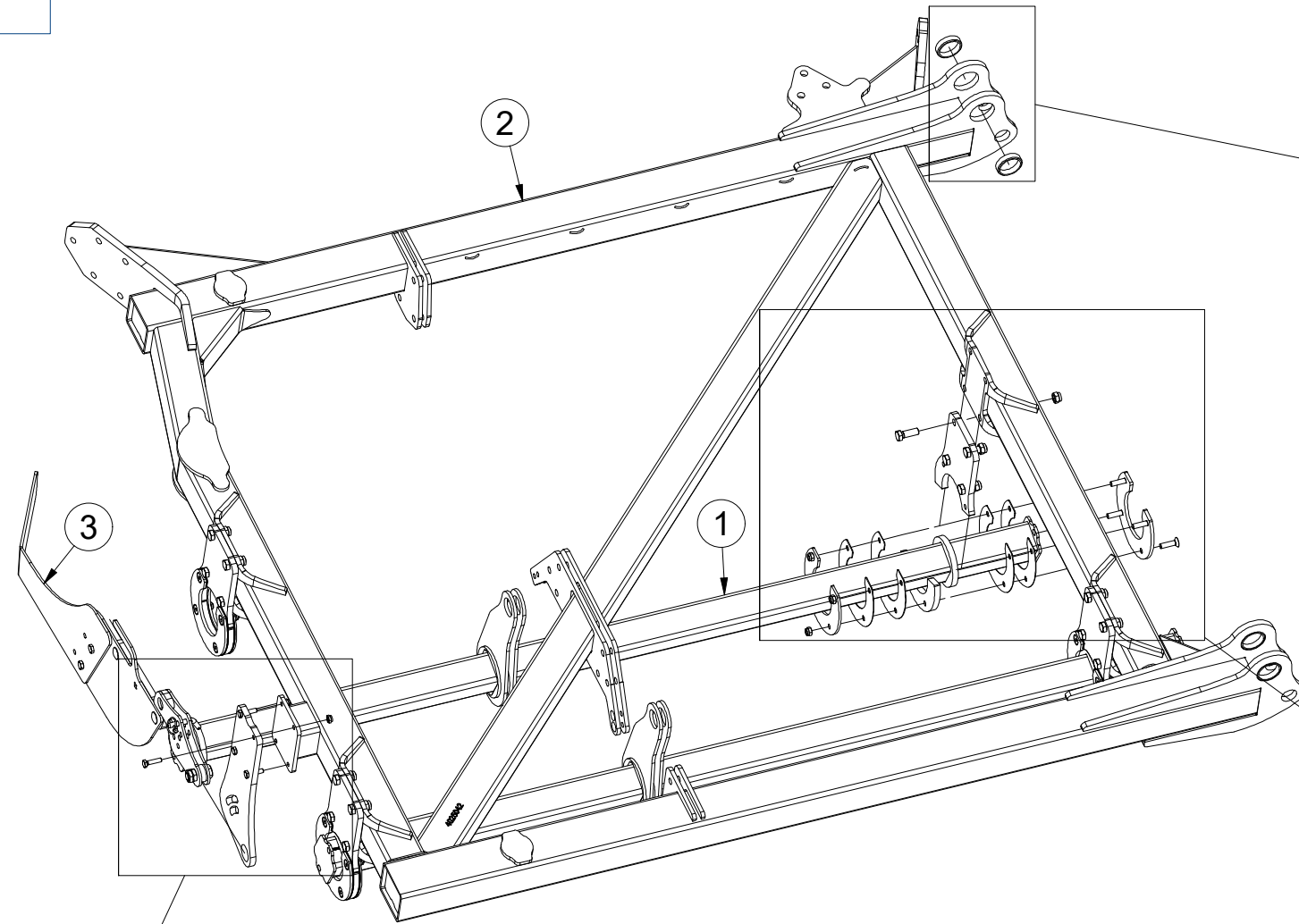
ⒼB RIGHT FRAME - OUTER

Ⓔ RU РАМА ПРАВАЯ - КРАЙНЯЯ

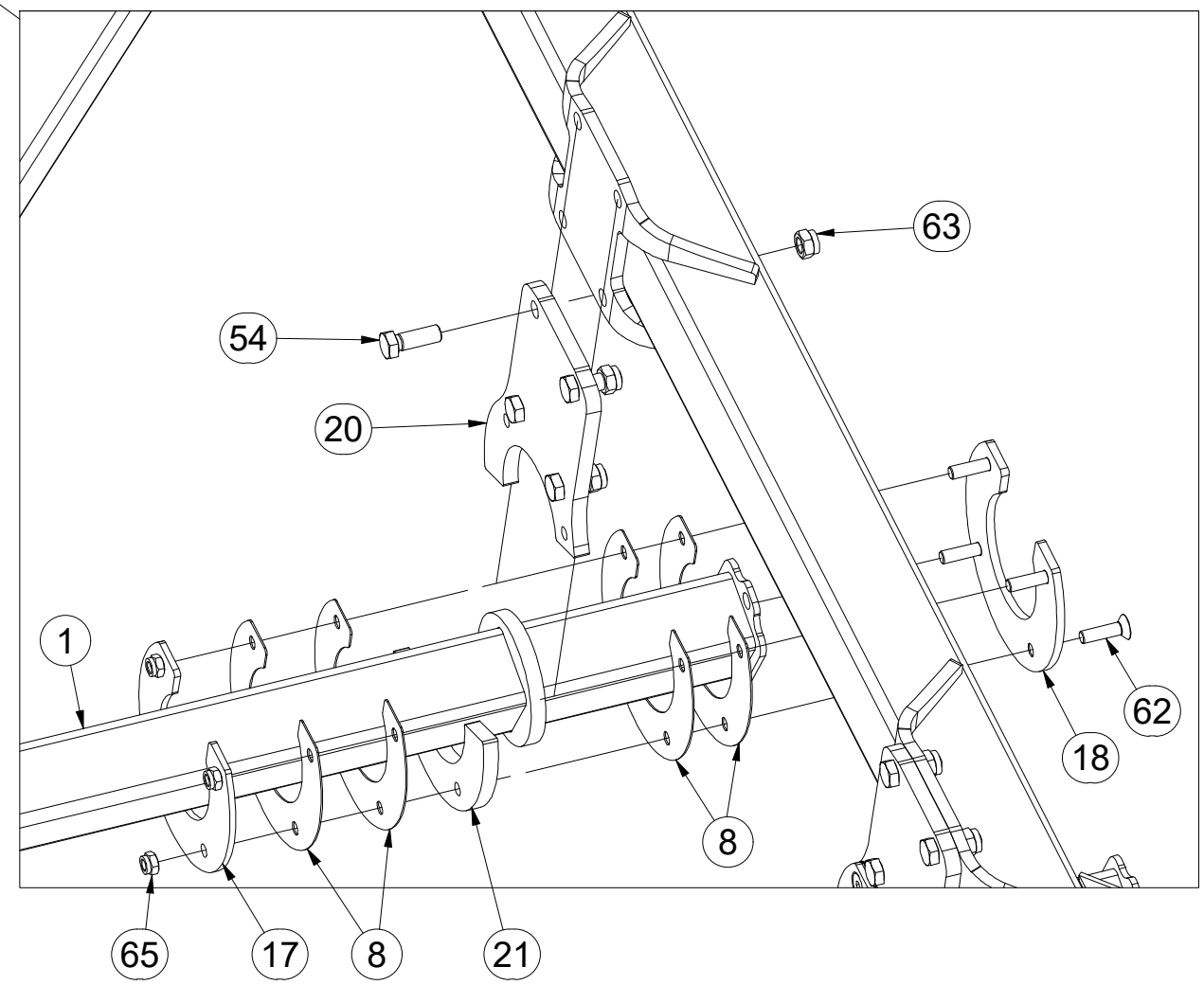
Ⓗ PL RAMA PRAWA - SKRAJNA



3012165



| Pos. | Part Number | Pcs. |
|------|-------------|------|
| 1 | 2001199 | 2 |
| 2 | 2001200 | 1 |
| 3 | 3012482 | 1 |
| 8 | 4025238 | 16 |
| 17 | 4025237 | 4 |
| 18 | VZ00007358 | 4 |
| 20 | 4025239 | 4 |
| 21 | 4025240 | 4 |
| 22 | VZ00002207 | 1 |
| 53 | m01111 | 4 |
| 54 | m02254 | 16 |
| 62 | m20532 | 20 |
| 63 | m03683 | 16 |
| 64 | m03775 | 4 |
| 65 | m04301 | 20 |
| 75 | m14760 | 4 |



Ⓒ RÁM PRAVÝ - KRAJNÍ

Ⓓ RECHTER RAHMEN - AM RAND

Ⓕ CHASSIS DROIT - D'EXTREME RAMA

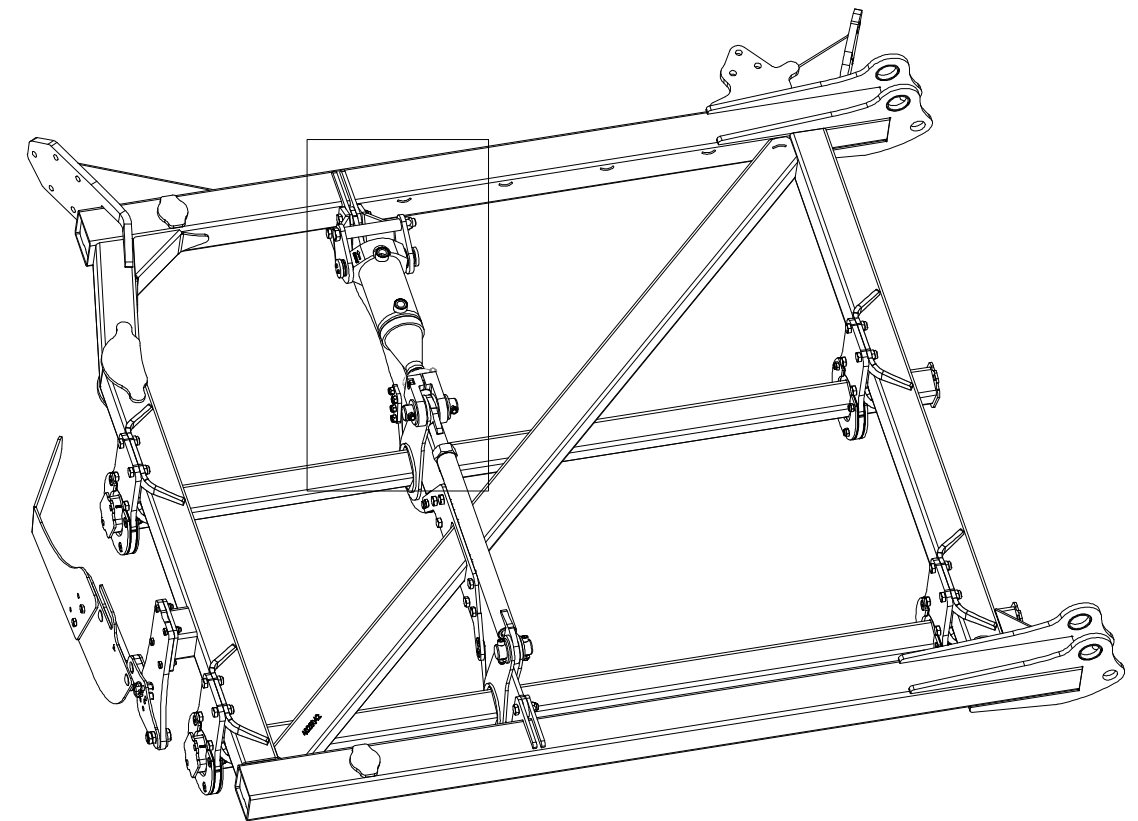
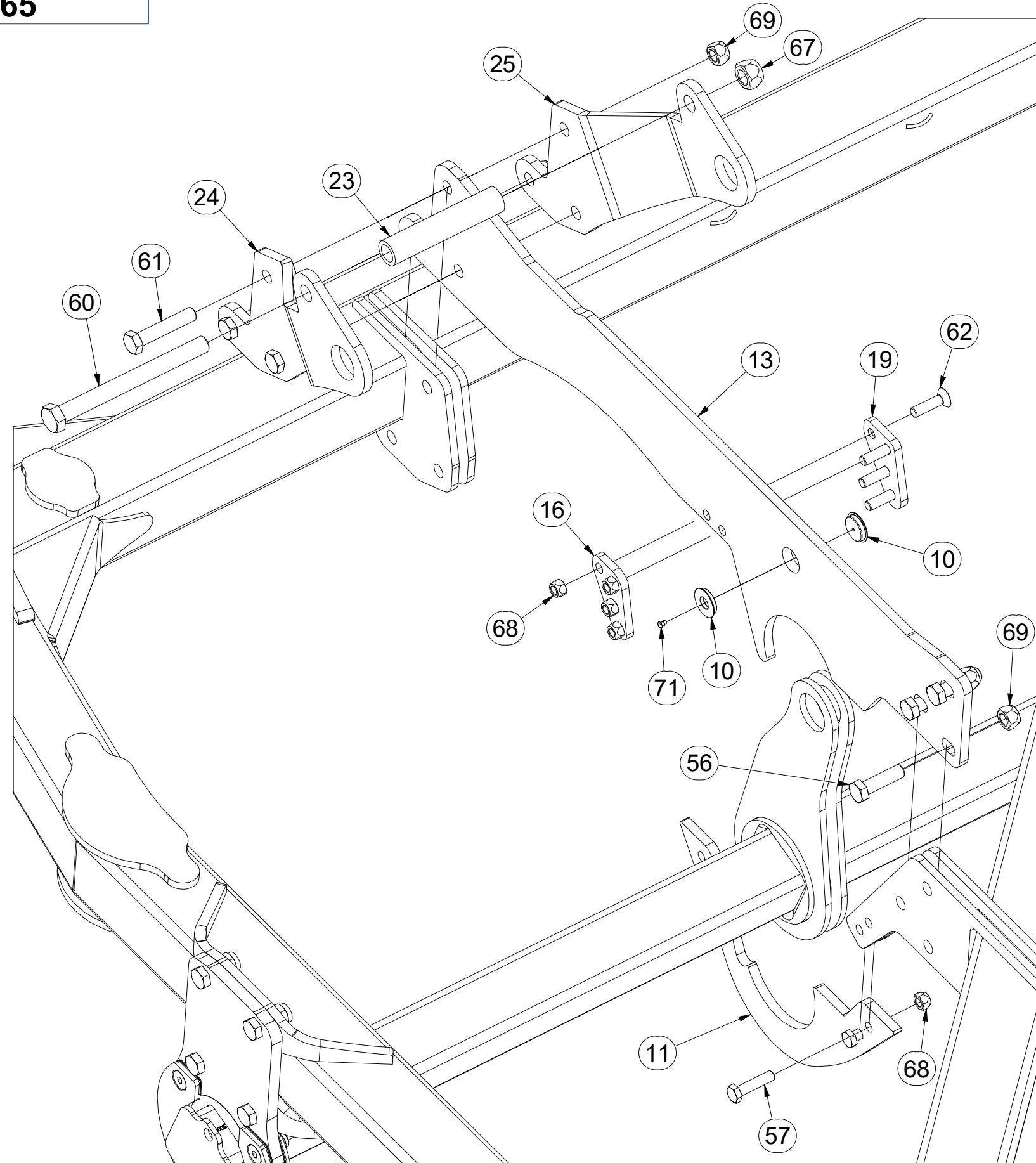
Ⓖ RIGHT FRAME - OUTER

Ⓡ РАМА ПРАВАЯ - КРАЙНЯЯ

Ⓢ RAMA PRAWA - SKRAJNA



3012165



| Pos. | Part Number | Pcs. | Pos. | Part Number | Pcs. |
|------|-------------|------|------|-------------|------|
| 10 | 4025155 | 4 | 57 | m11579 | 4 |
| 11 | 4024992 | 1 | 60 | m17543 | 1 |
| 13 | 4025065 | 1 | 61 | m18019 | 3 |
| 16 | 4025020 | 1 | 62 | m20532 | 20 |
| 19 | VZ00007326 | 1 | 67 | m11169 | 1 |
| 23 | VZ00009331 | 1 | 68 | m12134 | 10 |
| 24 | VZ00009851 | 1 | 69 | m13846 | 12 |
| 25 | VZ00009852 | 1 | 71 | m05587 | 2 |
| 56 | m10112 | 9 | | | |

ⒸZ RÁM PRAVÝ - KRAJNÍ

Ⓓ RECHTER RAHMEN - AM RAND

Ⓕ CHASSIS DROIT - D'EXTREMITÉ RAMA

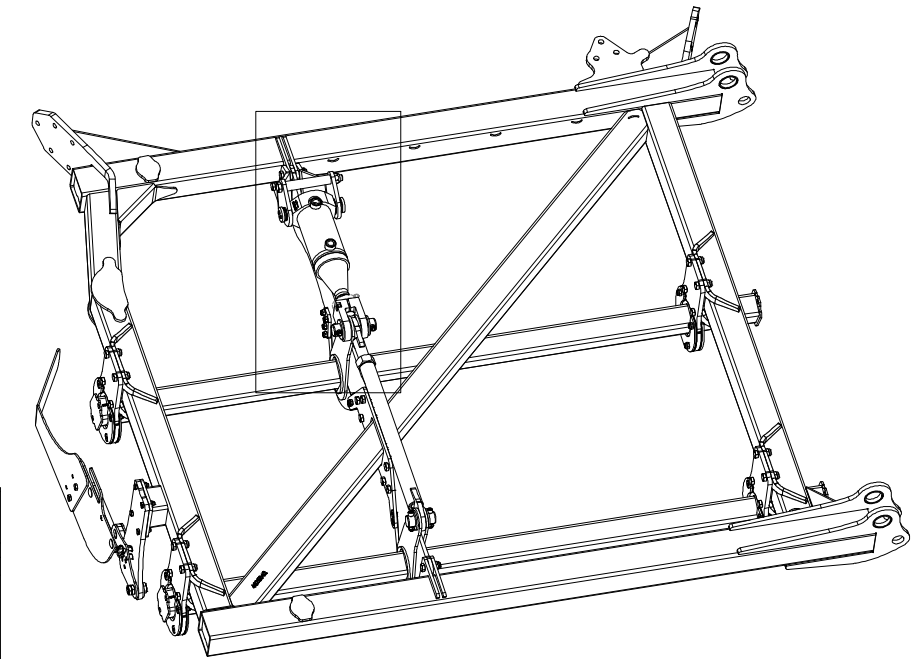
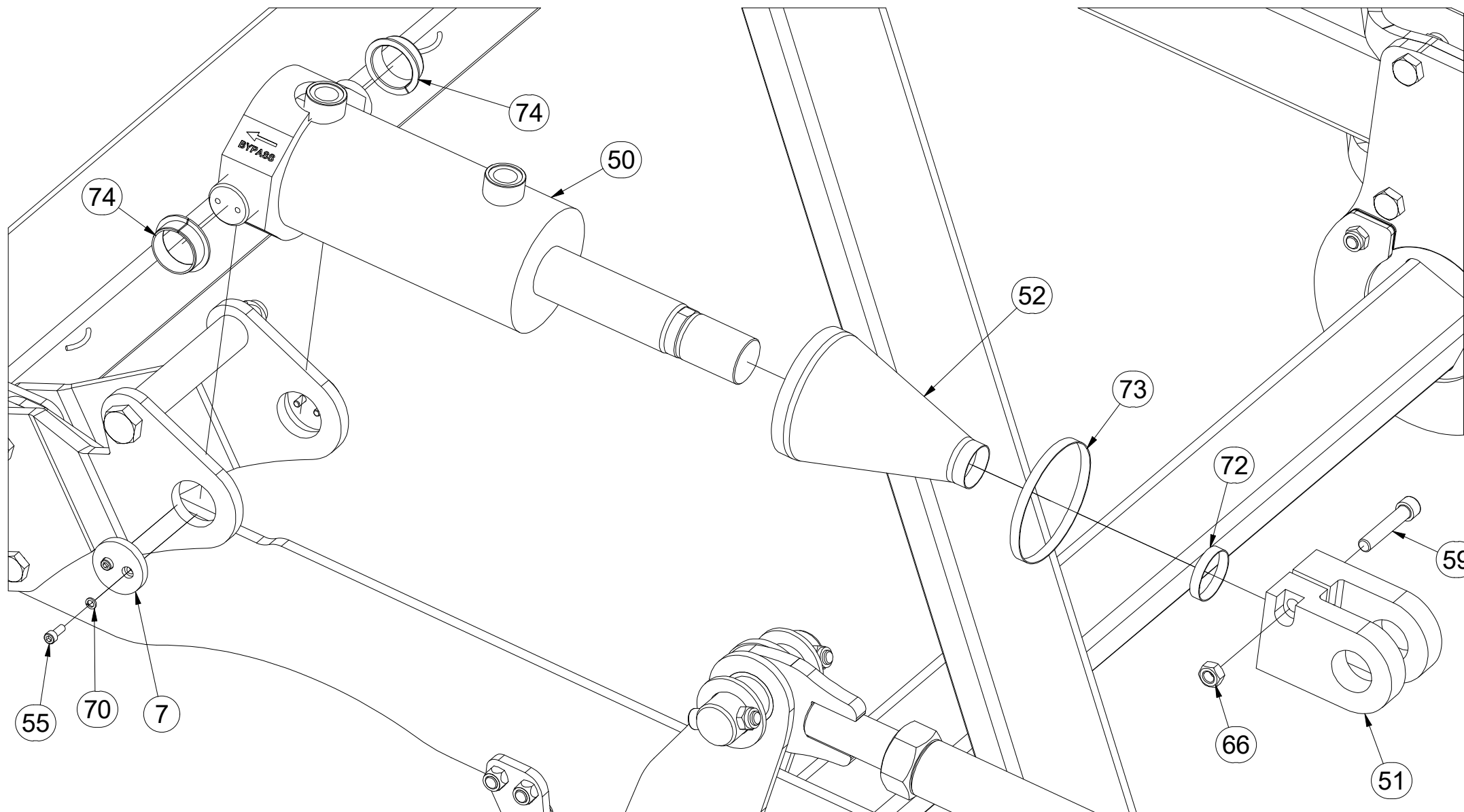
ⒸB RIGHT FRAME - OUTER

ⒸU РАМА ПРАВАЯ - КРАЙНЯЯ

ⒸL RAMA PRAWA - SKRAJNA

Farmet

3012165



| Pos. | Part Number | Pcs. |
|------|-------------|------|
| 7 | 4019408 | 2 |
| 50 | m20396 | 1 |
| 51 | m19146 | 1 |
| 52 | m19897 | 1 |
| 55 | m05303 | 4 |
| 59 | m14867 | 1 |
| 66 | m10439 | 1 |
| 70 | m01200 | 4 |
| 72 | m05890 | 1 |
| 73 | m17208 | 1 |
| 74 | m14755 | 2 |

ⒸZ RÁM PRAVÝ - KRAJNÍ

Ⓓ RECHTER RAHMEN - AM RAND

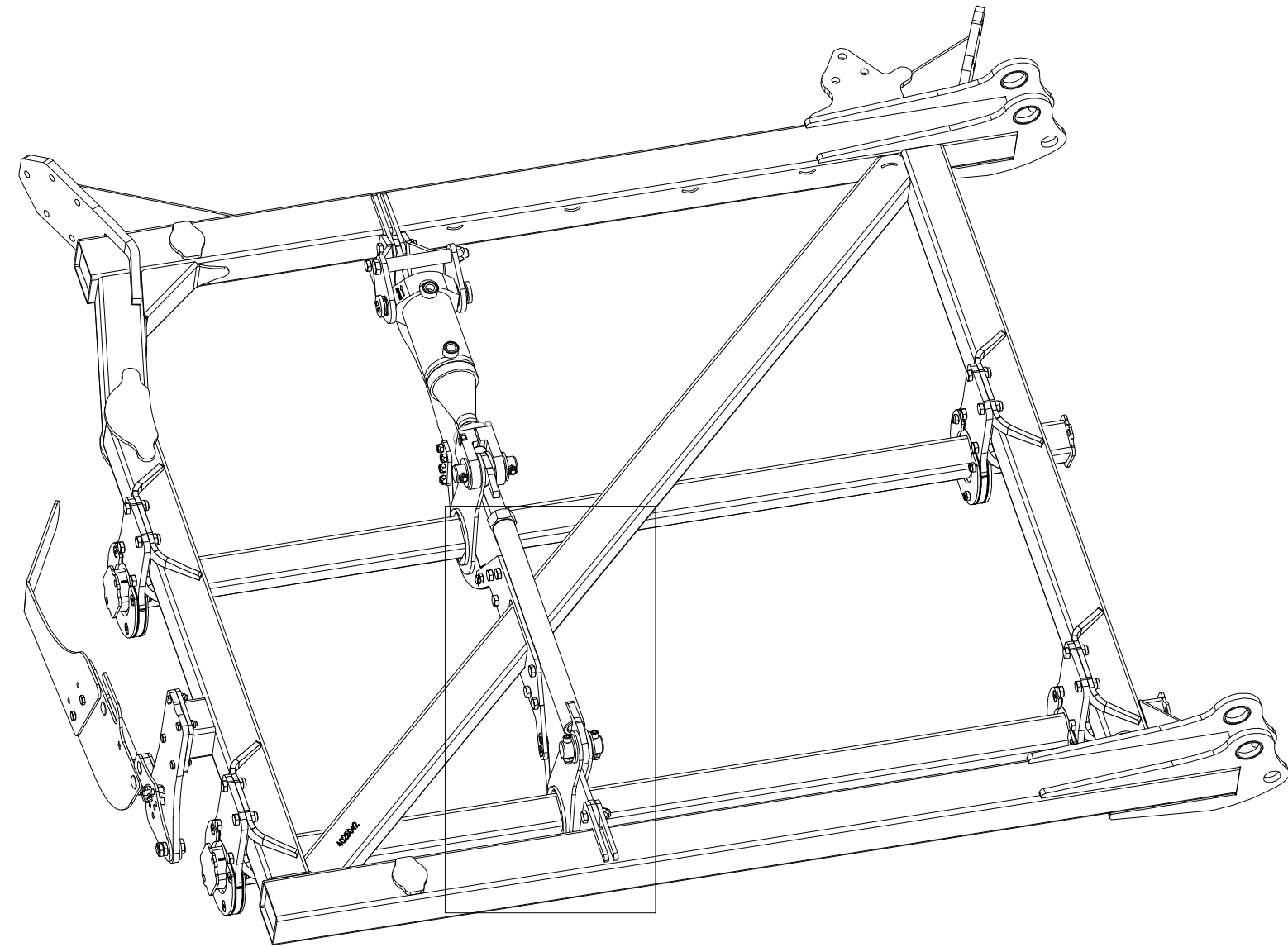
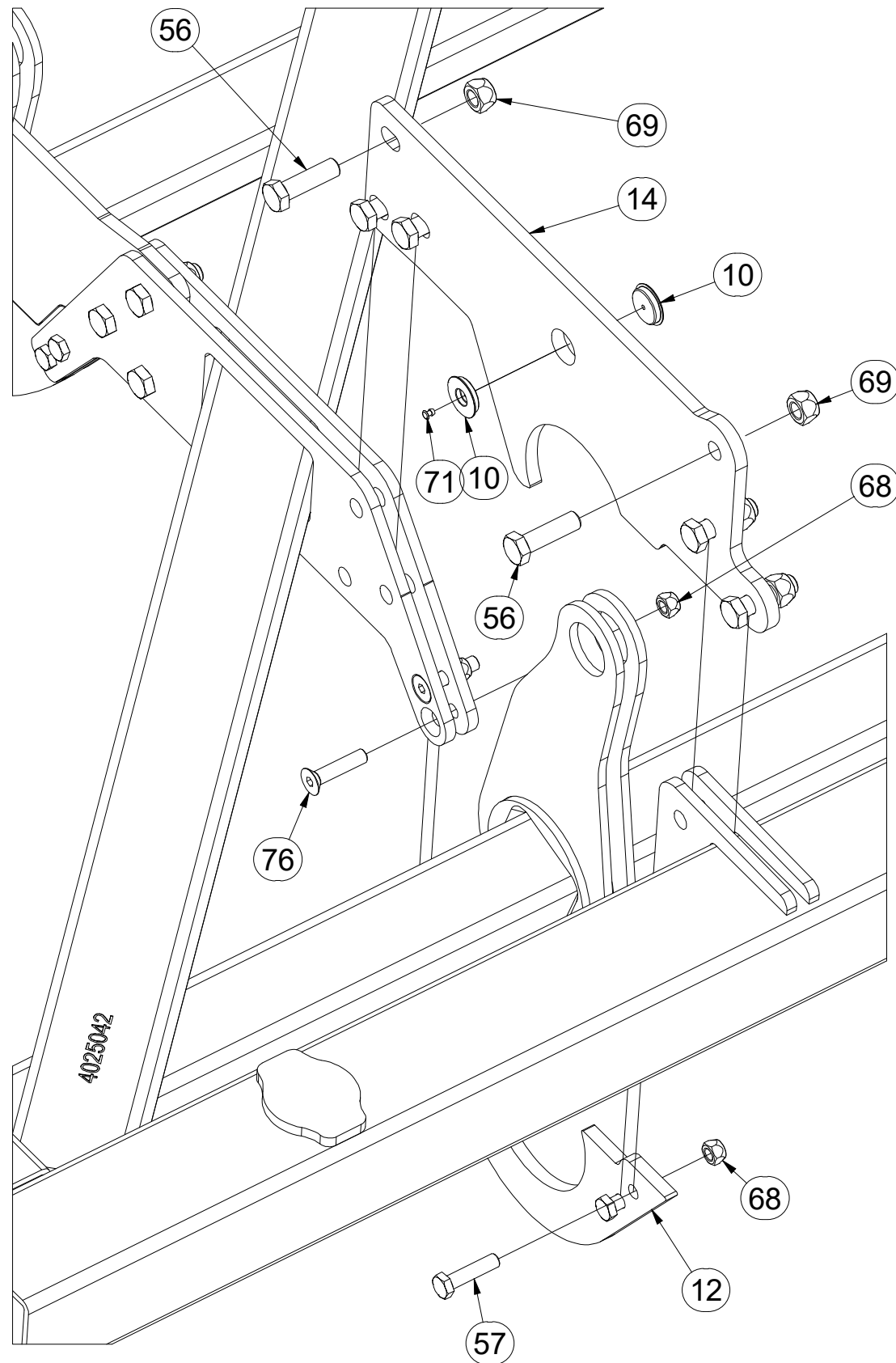
Ⓕ CHASSIS DROIT - D'EXTREME RAMA

3012165

ⒼB RIGHT FRAME - OUTER

ⒺU РАМА ПРАВАЯ - КРАЙНЯЯ

ⒼL RAMA PRAWA - SKRAJNA



| Pos. | Part Number | Pcs. | Pos. | Part Number | Pcs. |
|------|-------------|------|------|-------------|------|
| 10 | 4025155 | 4 | 68 | m12134 | 10 |
| 12 | 4024993 | 1 | 69 | m13846 | 12 |
| 14 | 4025068 | 1 | 71 | m05587 | 2 |
| 56 | m10112 | 9 | 76 | m18549 | 2 |
| 57 | m11579 | 4 | | | |

ⒸZ RÁM PRAVÝ - KRAJNÍ

Ⓓ RECHTER RAHMEN - AM RAND

Ⓕ CHASSIS DROIT - D'EXTREME RAMA

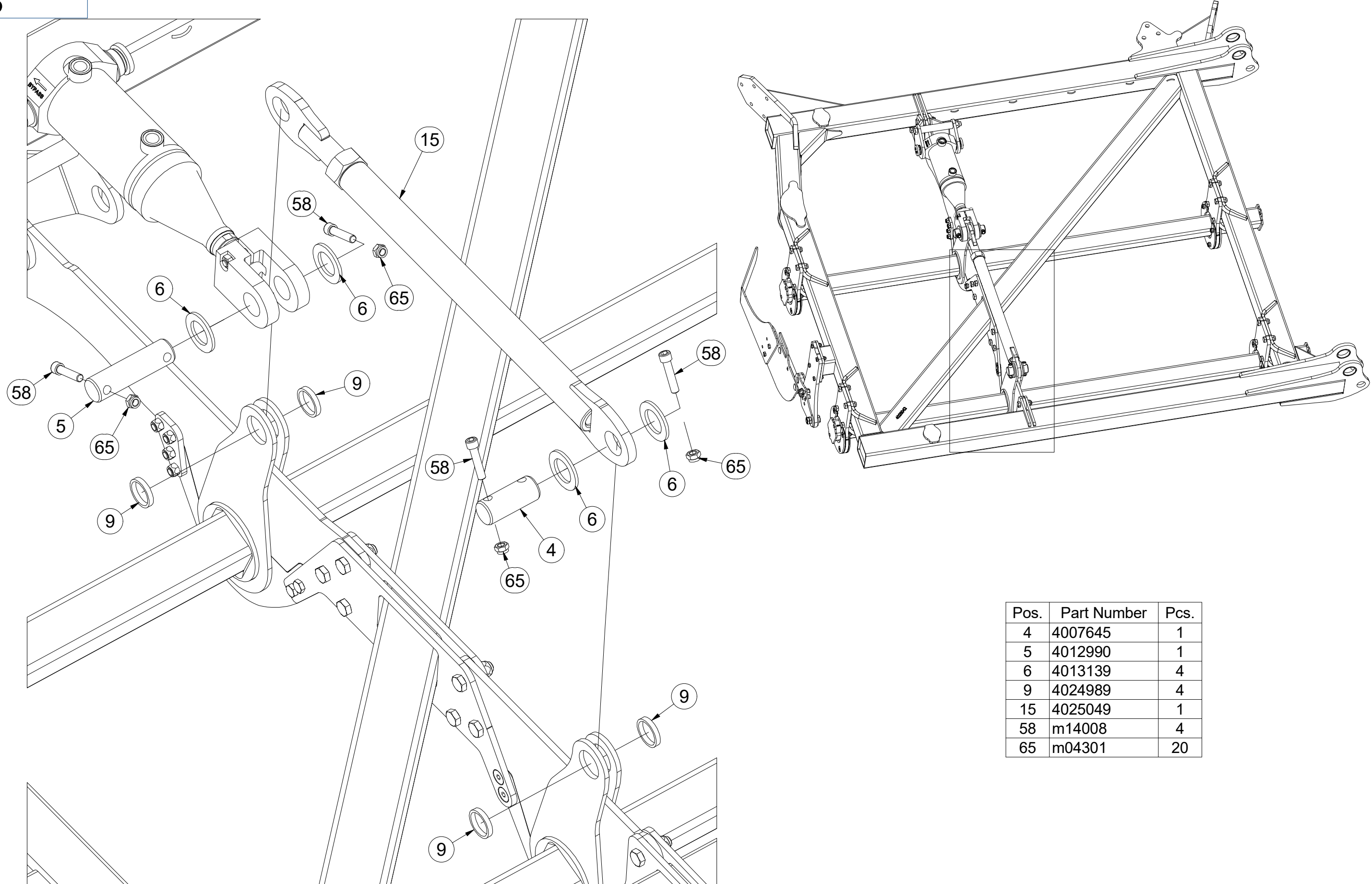
ⒸB RIGHT FRAME - OUTER

ⒸU РАМА ПРАВАЯ - КРАЙНЯЯ

ⒸL RAMA PRAWA - SKRAJNA

Farmet

3012165



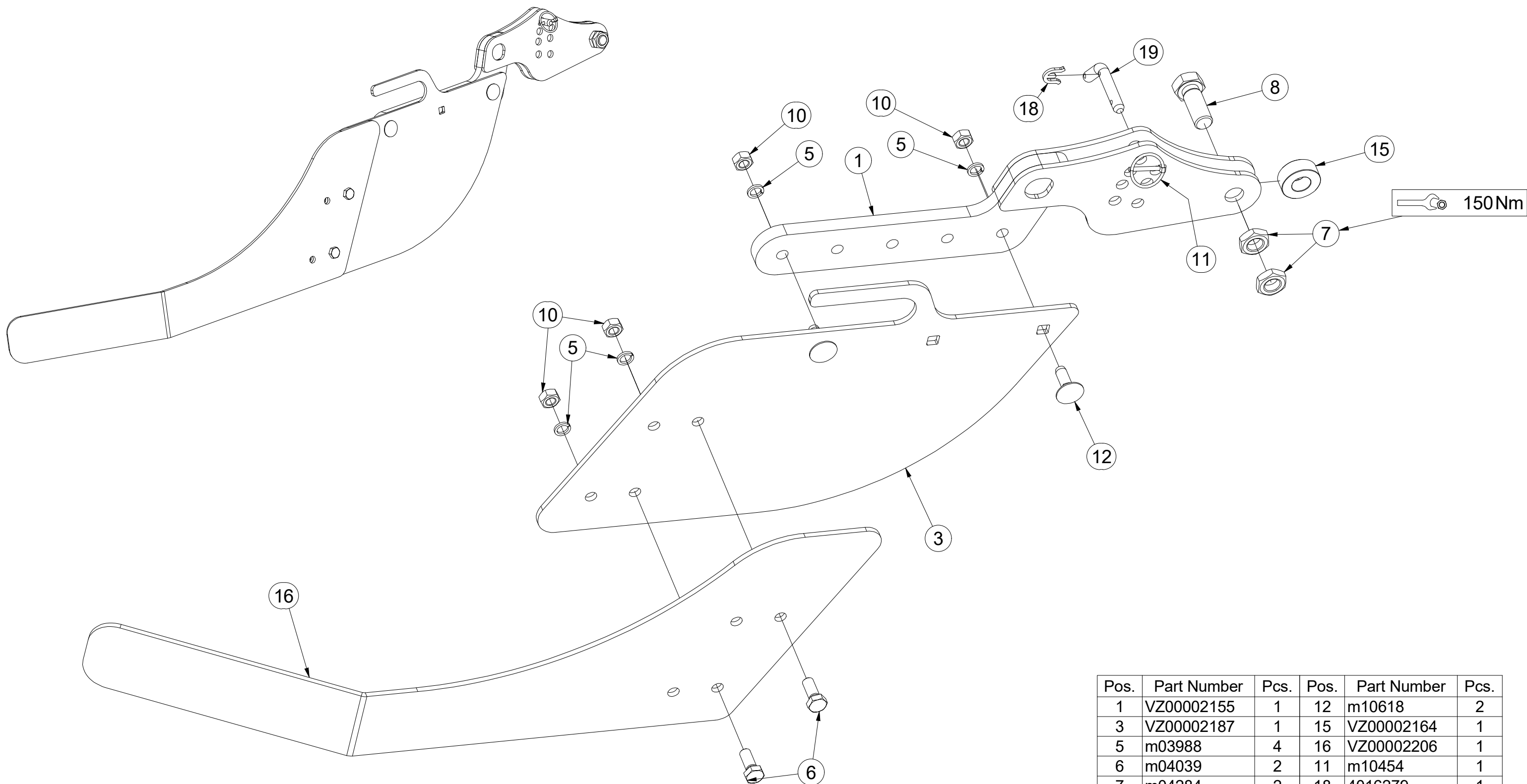
| Pos. | Part Number | Pcs. |
|------|-------------|------|
| 4 | 4007645 | 1 |
| 5 | 4012990 | 1 |
| 6 | 4013139 | 4 |
| 9 | 4024989 | 4 |
| 15 | 4025049 | 1 |
| 58 | m14008 | 4 |
| 65 | m04301 | 20 |

CZ DEFLEKTOR PRAVÝ
 D DEFLEKTOR, RECHTER
 F DÉFLECTEUR DROIT

GB DEFLECTOR RIGHT
 RU ДЕФЛЕКТОР ПРАВЫЙ
 PL DEFLEKTOR PRAWY



3012482



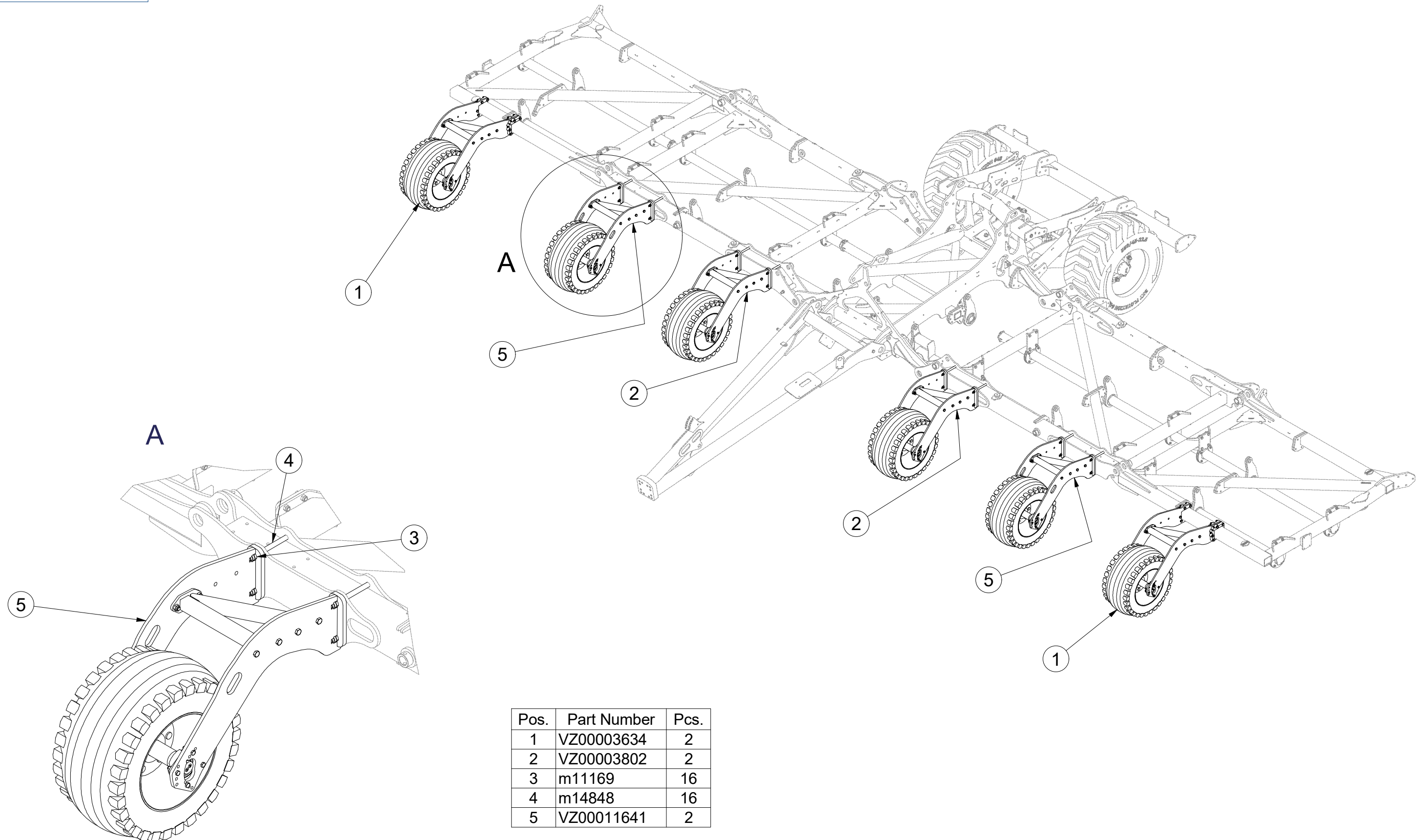
| Pos. | Part Number | Pcs. | Pos. | Part Number | Pcs. |
|------|-------------|------|------|-------------|------|
| 1 | VZ00002155 | 1 | 12 | m10618 | 2 |
| 3 | VZ00002187 | 1 | 15 | VZ00002164 | 1 |
| 5 | m03988 | 4 | 16 | VZ00002206 | 1 |
| 6 | m04039 | 2 | 11 | m10454 | 1 |
| 7 | m04284 | 2 | 18 | 4016279 | 1 |
| 8 | m08378 | 1 | 19 | m09141 | 1 |
| 10 | m10439 | 4 | | | |

CZ KOPÍROVACÍ KOLA
 D KOPIERRÄDER
 F COPIAGE DU TERRAIN

GB TRACING WHEELS
 RU КОПИРУЮЩЕЕ КОЛЕСА
 PL KOŁA KOPIUJĄCE



VZ00006016



| Pos. | Part Number | Pcs. |
|------|-------------|------|
| 1 | VZ00003634 | 2 |
| 2 | VZ00003802 | 2 |
| 3 | m11169 | 16 |
| 4 | m14848 | 16 |
| 5 | VZ00011641 | 2 |

Ⓒ CZ KOPÍROVACÍ KOLO

Ⓓ KOPIERRAD

Ⓕ COPIAGE ROUE

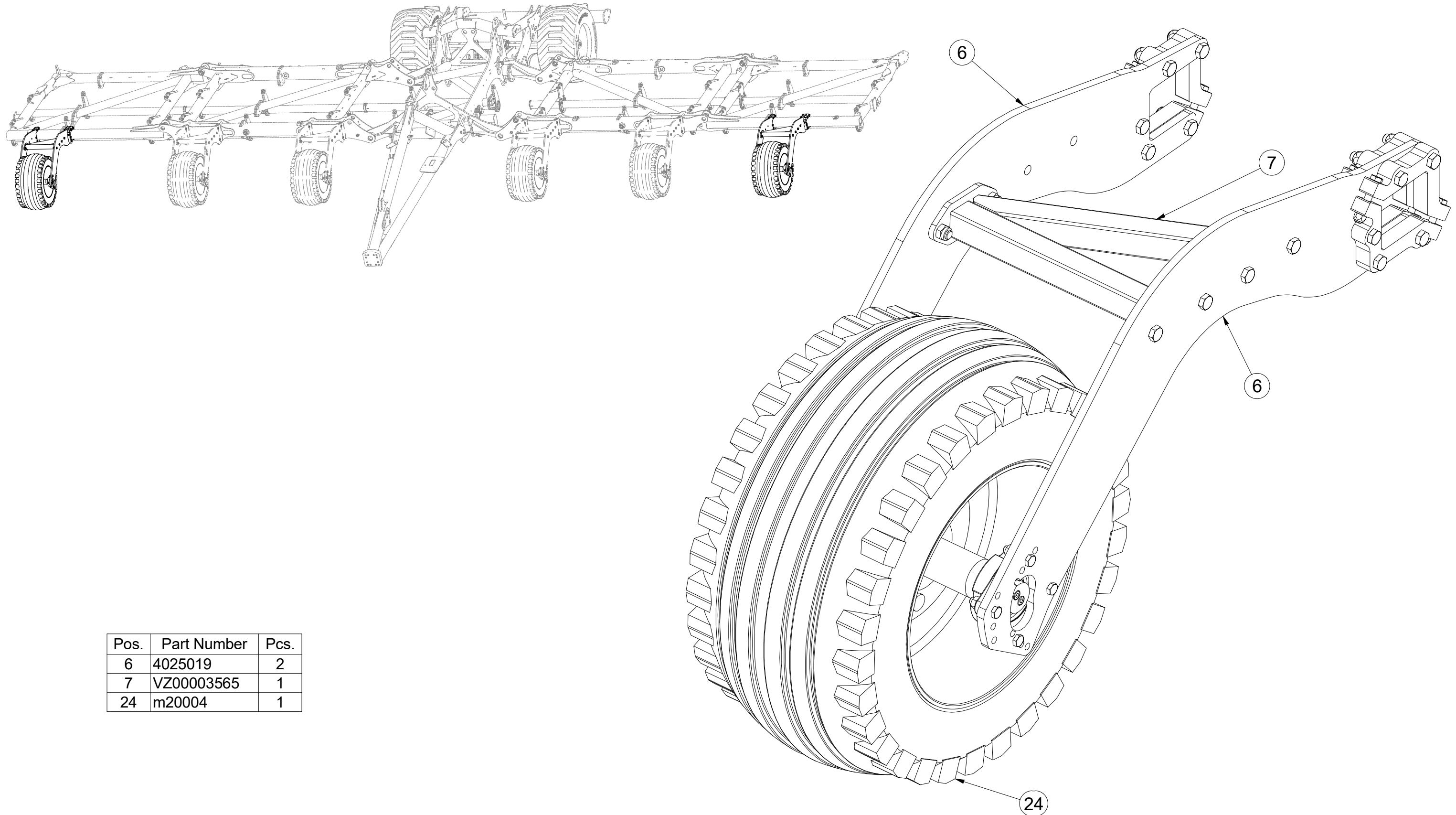
Ⓒ GB TRACING WHEEL

Ⓓ RU КОПИРУЮЩЕЕ КОЛЕСО

Ⓓ PL KOŁO KOPIUJĄCE



VZ00003634



| Pos. | Part Number | Pcs. |
|------|-------------|------|
| 6 | 4025019 | 2 |
| 7 | VZ00003565 | 1 |
| 24 | m20004 | 1 |

Ⓒ KOPÍROVACÍ KOLO

Ⓓ KOPIERRAD

Ⓕ COPIAGE ROUE

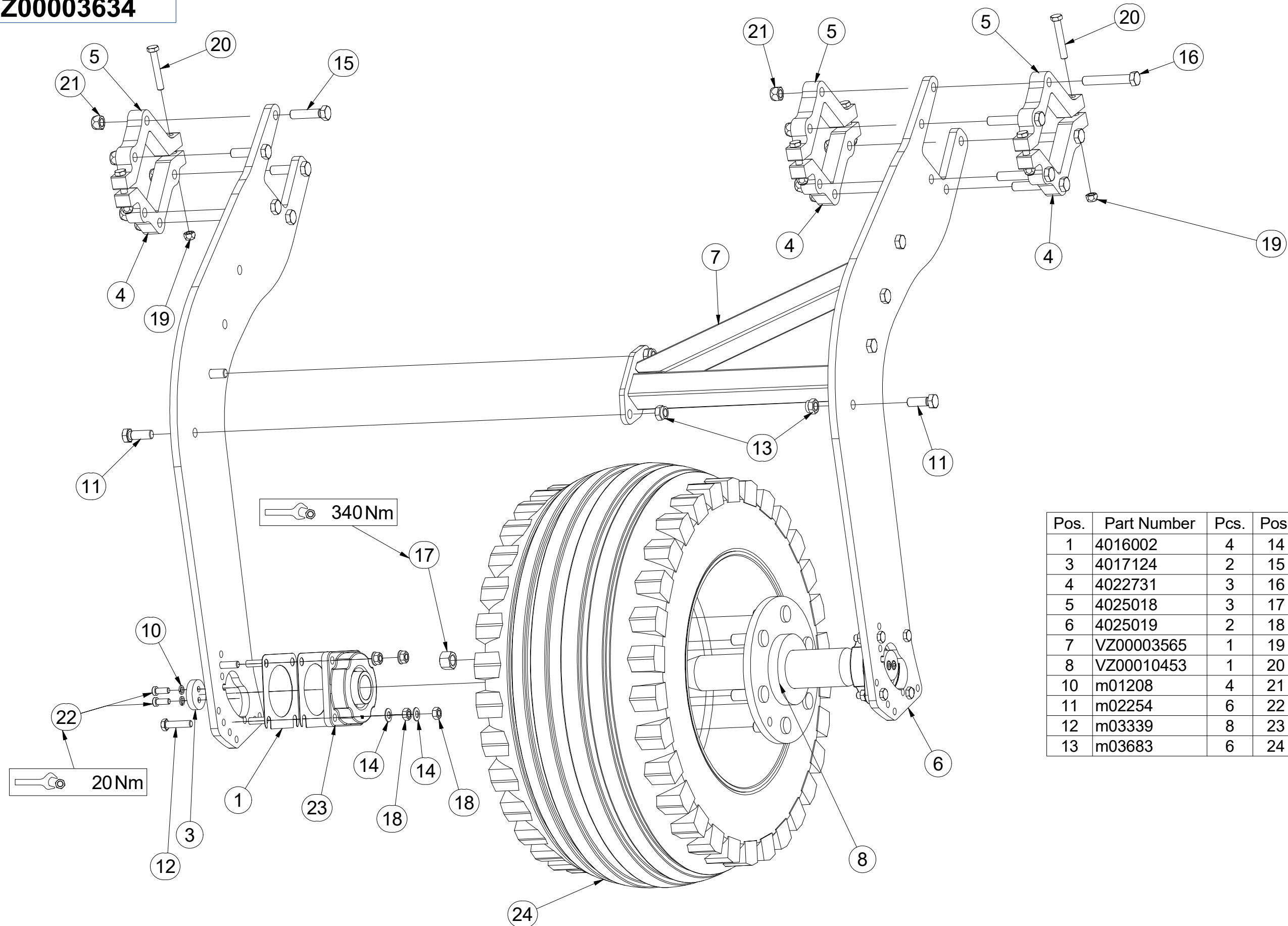
Ⓖ TRACING WHEEL

Ⓡ КОПИРУЮЩЕЕ КОЛЕСО

Ⓢ КОЉО КОПИУЈАЌЕ



VZ00003634



| Pos. | Part Number | Pcs. | Pos. | Part Number | Pcs. |
|------|-------------|------|------|-------------|------|
| 1 | 4016002 | 4 | 14 | m17545 | 8 |
| 3 | 4017124 | 2 | 15 | m04792 | 5 |
| 4 | 4022731 | 3 | 16 | m05304 | 5 |
| 5 | 4025018 | 3 | 17 | m08165 | 6 |
| 6 | 4025019 | 2 | 18 | m10439 | 8 |
| 7 | VZ00003565 | 1 | 19 | m12134 | 6 |
| 8 | VZ00010453 | 1 | 20 | m12493 | 6 |
| 10 | m01208 | 4 | 21 | m13846 | 10 |
| 11 | m02254 | 6 | 22 | m17638 | 4 |
| 12 | m03339 | 8 | 23 | m17627 | 2 |
| 13 | m03683 | 6 | 24 | m20004 | 1 |

Ⓒ KOPÍROVACÍ KOLA

Ⓓ KOPIERRÄDER

Ⓕ COPIAGE DU TERRAIN

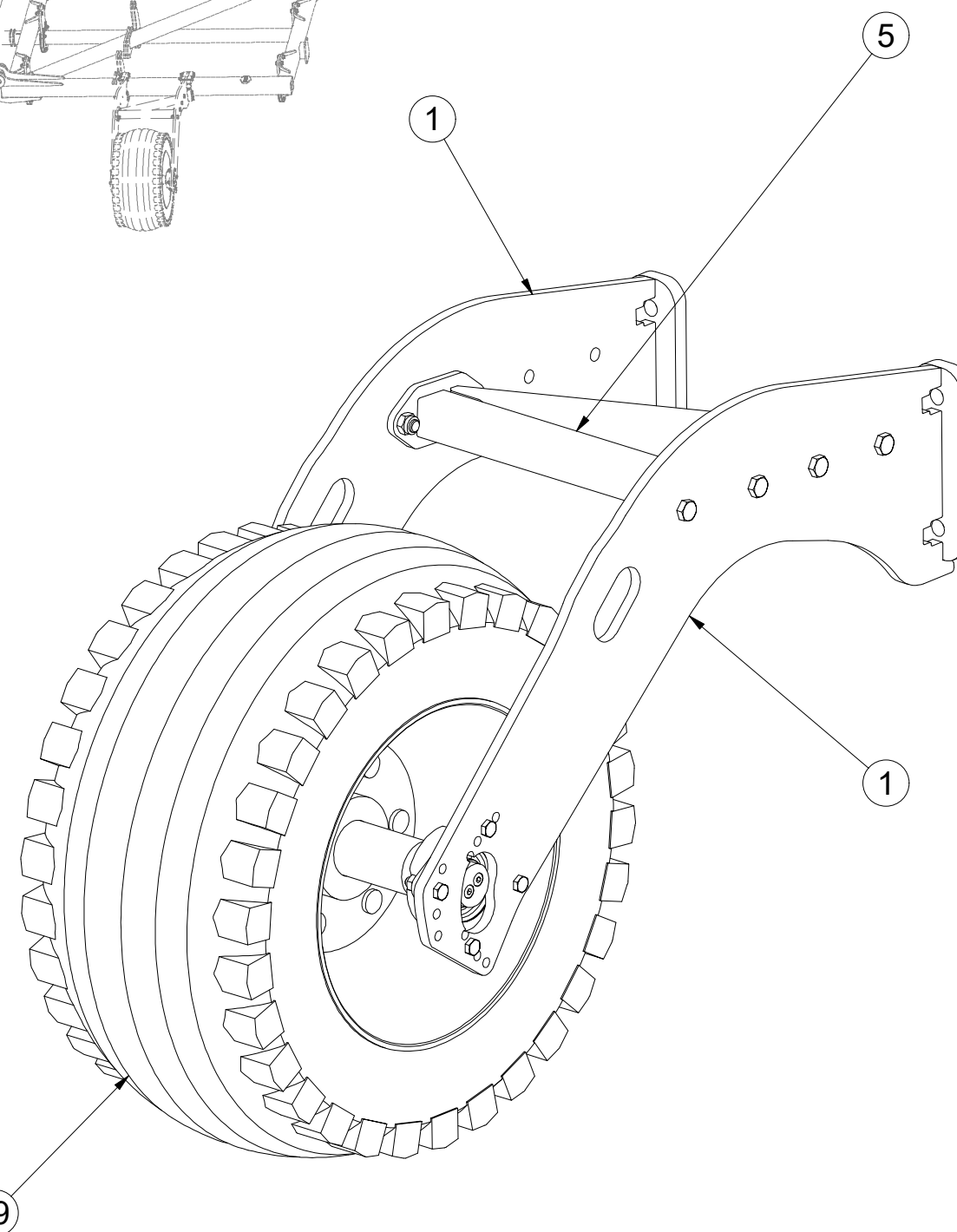
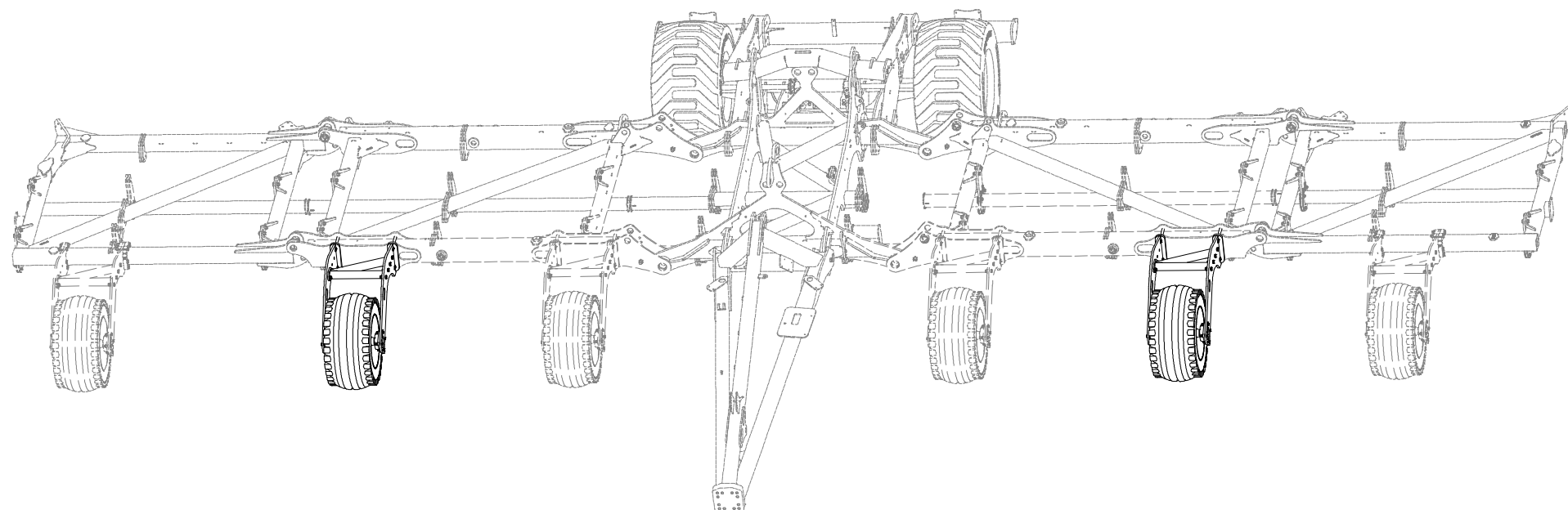
Ⓖ TRACING WHEELS

Ⓙ КОПИРУЮЩЕЕ КОЛЕСА

Ⓟ КОЛА КОПИУАЇСЕ

Farmet

VZ00011641



| Pos. | Part Number | Pcs. |
|------|-------------|------|
| 1 | VZ00011642 | 2 |
| 5 | VZ00003565 | 1 |
| 19 | m20004 | 1 |

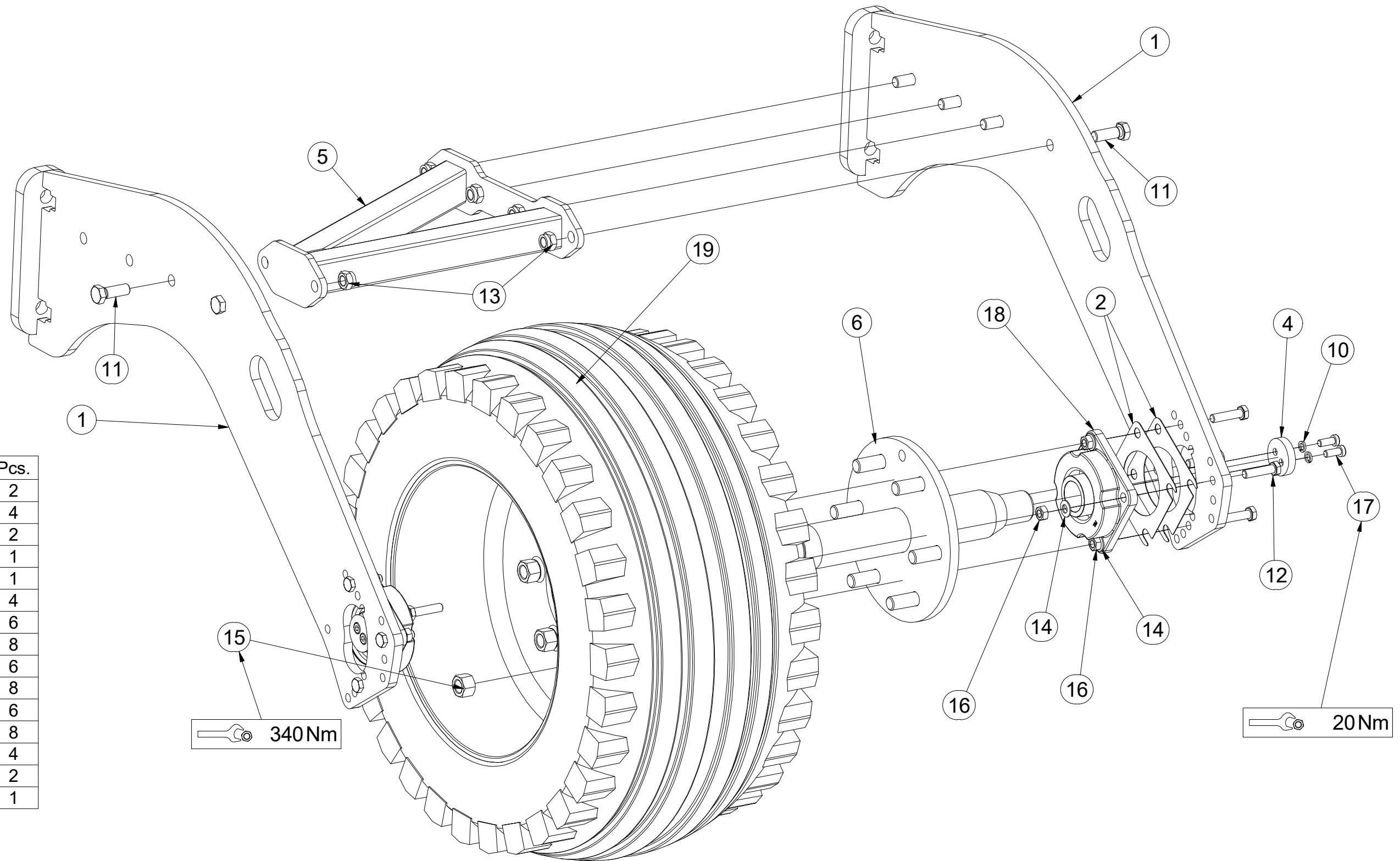
(CZ) KOPÍROVACÍ KOLA
 (D) KOPIERRÄDER
 (F) COPIAGE DU TERRAIN

(GB) TRACING WHEELS
 (RU) КОПИРУЮЩЕЕ КОЛЕСА
 (PL) KOŁA KOPIUJĄCE



VZ00011641

| Pos. | Part Number | Pcs. |
|------|-------------|------|
| 1 | VZ00011642 | 2 |
| 2 | 4016002 | 4 |
| 4 | 4017124 | 2 |
| 5 | VZ00003565 | 1 |
| 6 | VZ00010453 | 1 |
| 10 | m01208 | 4 |
| 11 | m02254 | 6 |
| 12 | m03339 | 8 |
| 13 | m03683 | 6 |
| 14 | m17545 | 8 |
| 15 | m08165 | 6 |
| 16 | m10439 | 8 |
| 17 | m17638 | 4 |
| 18 | m17627 | 2 |
| 19 | m20004 | 1 |



Ⓒ KOPÍROVACÍ KOLA

Ⓓ KOPIERRÄDER

Ⓕ COPIAGE DU TERRAIN

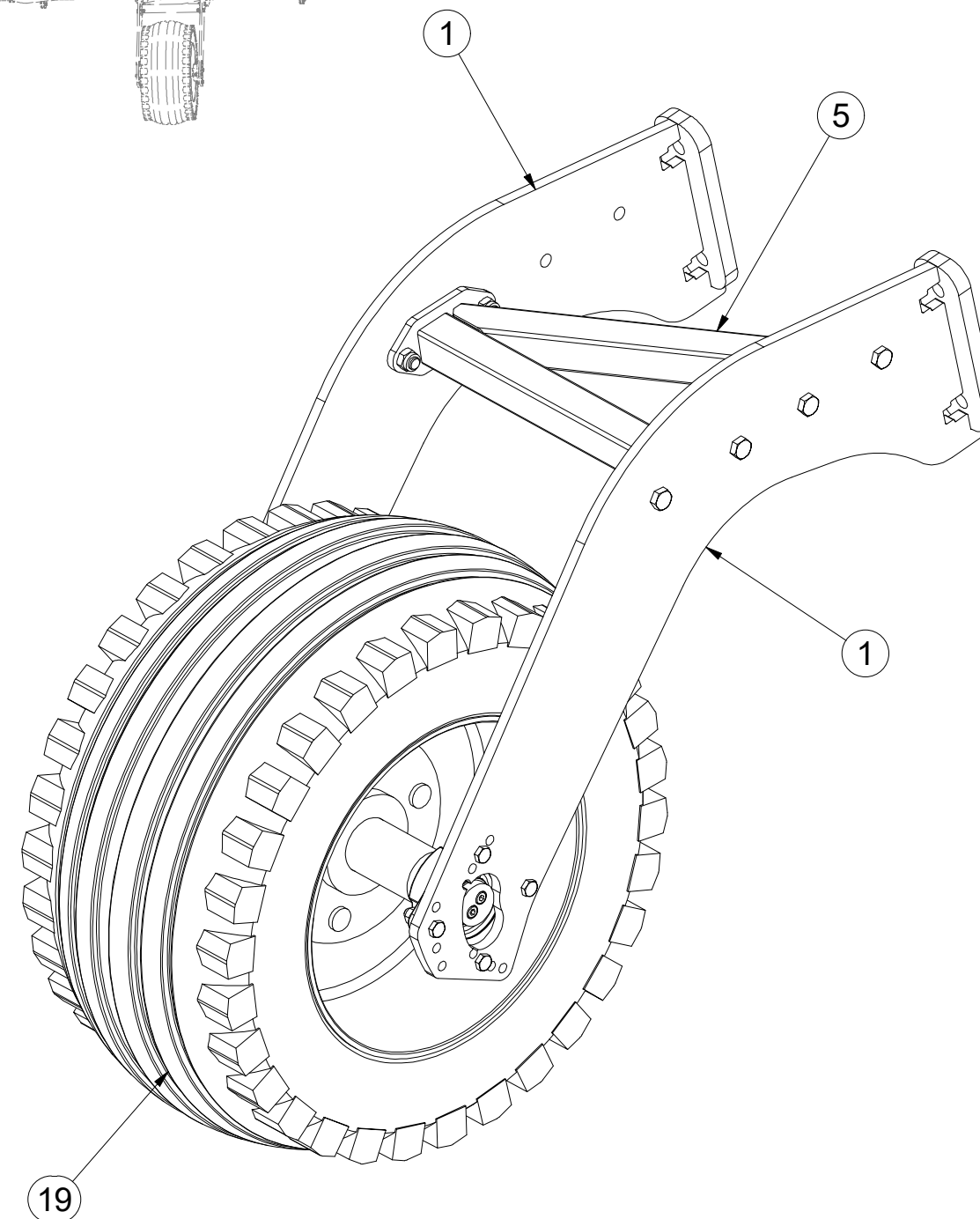
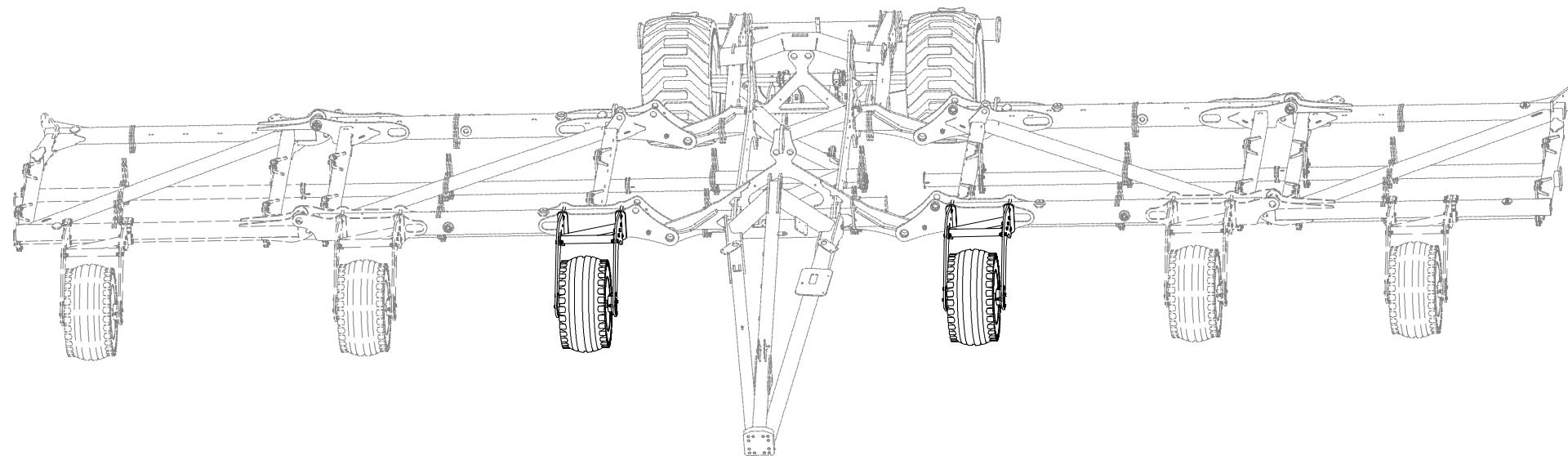
Ⓖ TRACING WHEELS

Ⓡ КОПИРУЮЩЕЕ КОЛЕСА

Ⓟ КОЛА КОПИУЈАЌЕ

Farmet

VZ00003802



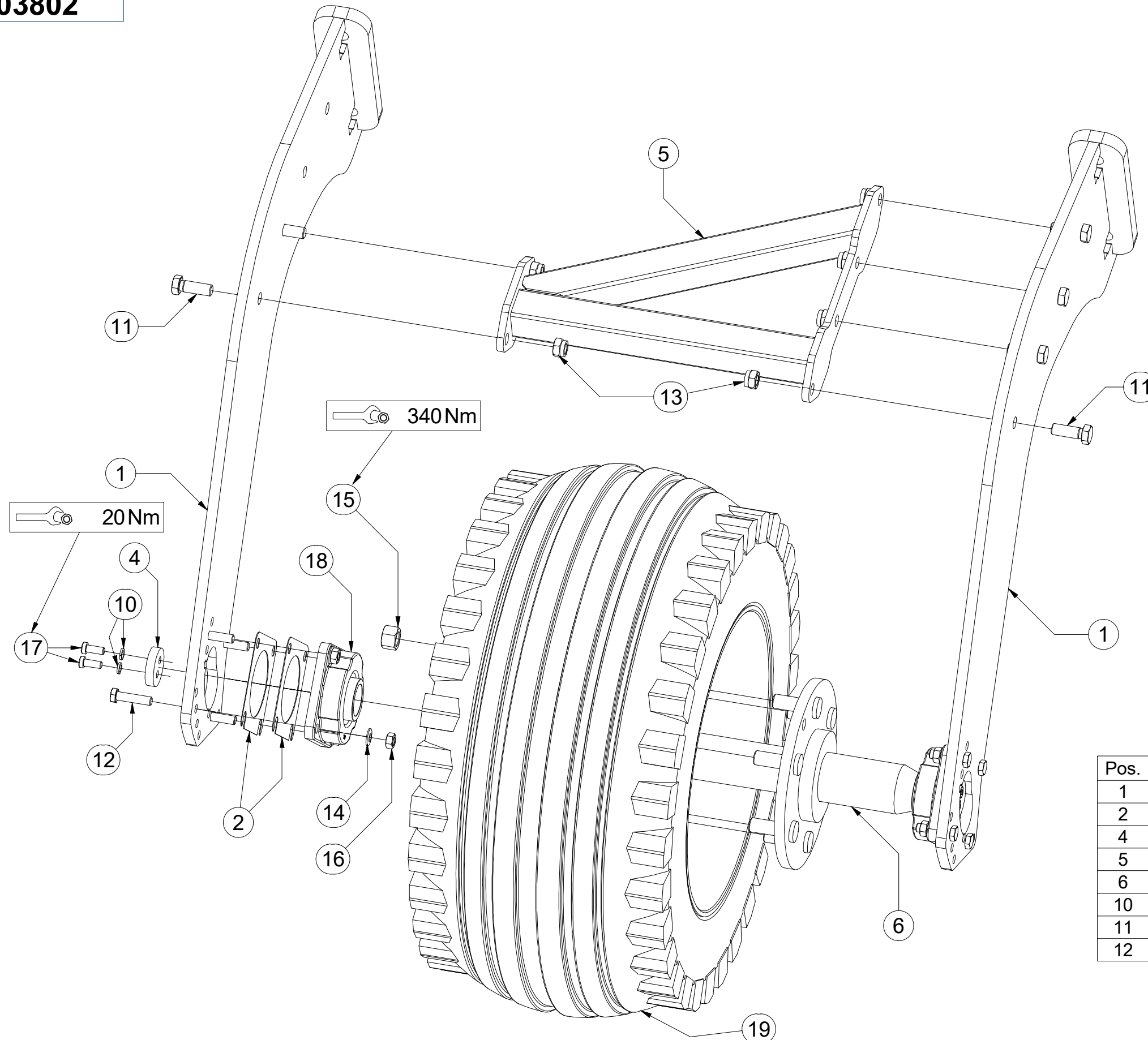
| Pos. | Part Number | Pcs. |
|------|-------------|------|
| 1 | 3011117 | 2 |
| 5 | VZ00003565 | 1 |
| 19 | m20004 | 1 |

(CZ) KOPÍROVACÍ KOLA
 (D) KOPIERRÄDER
 (F) COPIAGE DU TERRAIN

(GB) TRACING WHEELS
 (RU) КОПИРУЮЩЕЕ КОЛЕСА
 (PL) KOŁA KOPIUJĄCE



VZ00003802



| Pos. | Part Number | Pcs. | Pos. | Part Number | Pcs. |
|------|-------------|------|------|-------------|------|
| 1 | 3011117 | 2 | 13 | m03683 | 6 |
| 2 | 4016002 | 4 | 14 | m17545 | 8 |
| 4 | 4017124 | 2 | 15 | m08165 | 6 |
| 5 | VZ00003565 | 1 | 16 | m10439 | 8 |
| 6 | VZ00010453 | 1 | 17 | m17638 | 4 |
| 10 | m01208 | 4 | 18 | m17627 | 2 |
| 11 | m02254 | 6 | 19 | m20004 | 1 |
| 12 | m03339 | 8 | | | |

ⒸZ SADA PŘEDNÍCH SMYKŮ

Ⓓ SATZ VORDERE ACKERSCHLEPPEN

Ⓕ KIT DE NIVELEURS AVANT

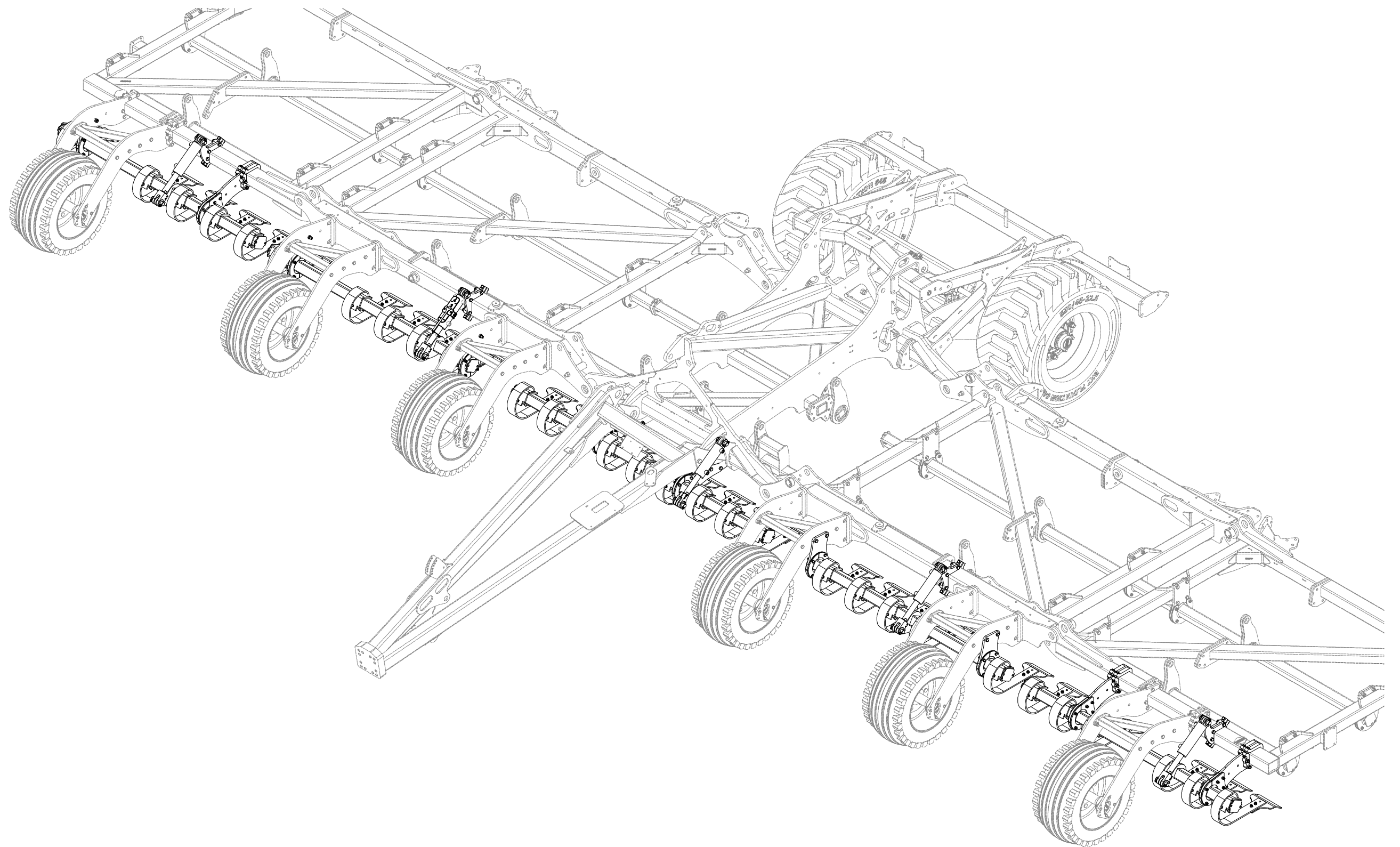
VZ00007413

ⒸGB SET OF FRONT LEVELLING BARS

ⒸRU КОМПЛЕКТ ПЕРЕДНИХ БОРОН

ⒸPL ZESTAW PRZEDNICH WŁÓK

Farmet



ⒸZ SADA PŘEDNÍCH SMYKŮ

Ⓓ SATZ VORDERE ACKERSCHLEPPEN

Ⓕ KIT DE NIVELEURS AVANT

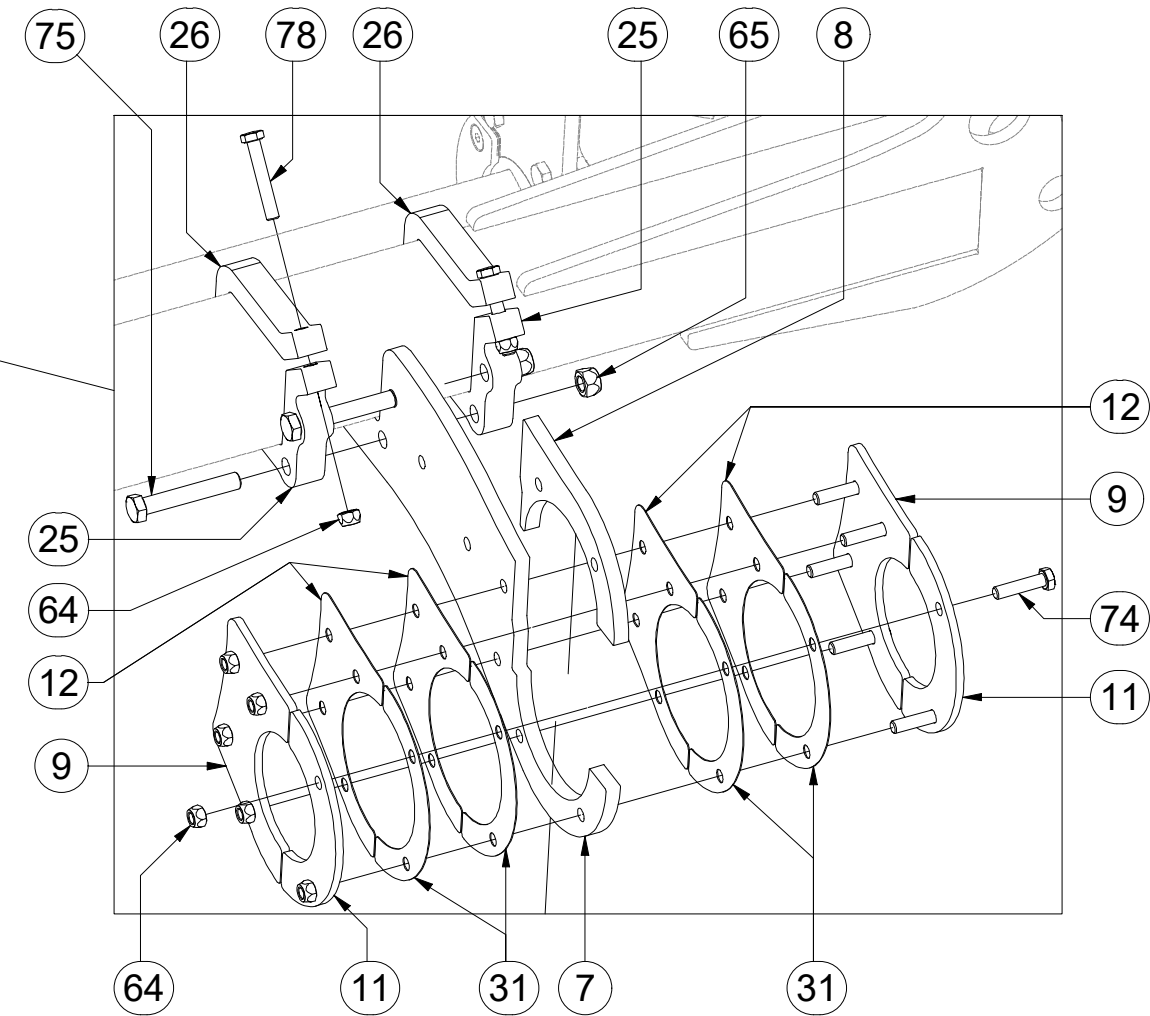
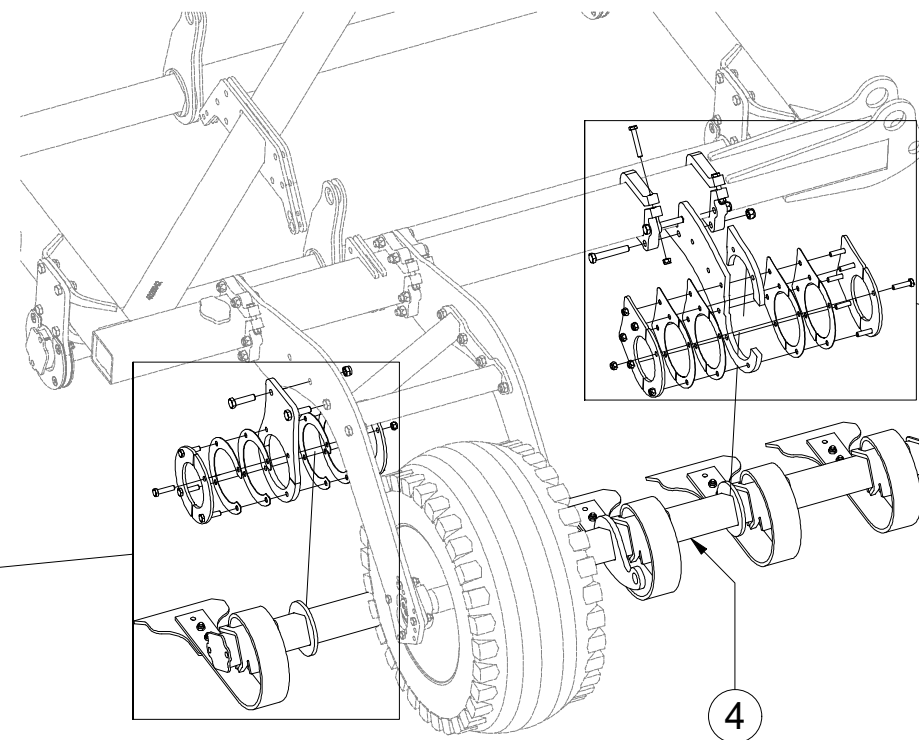
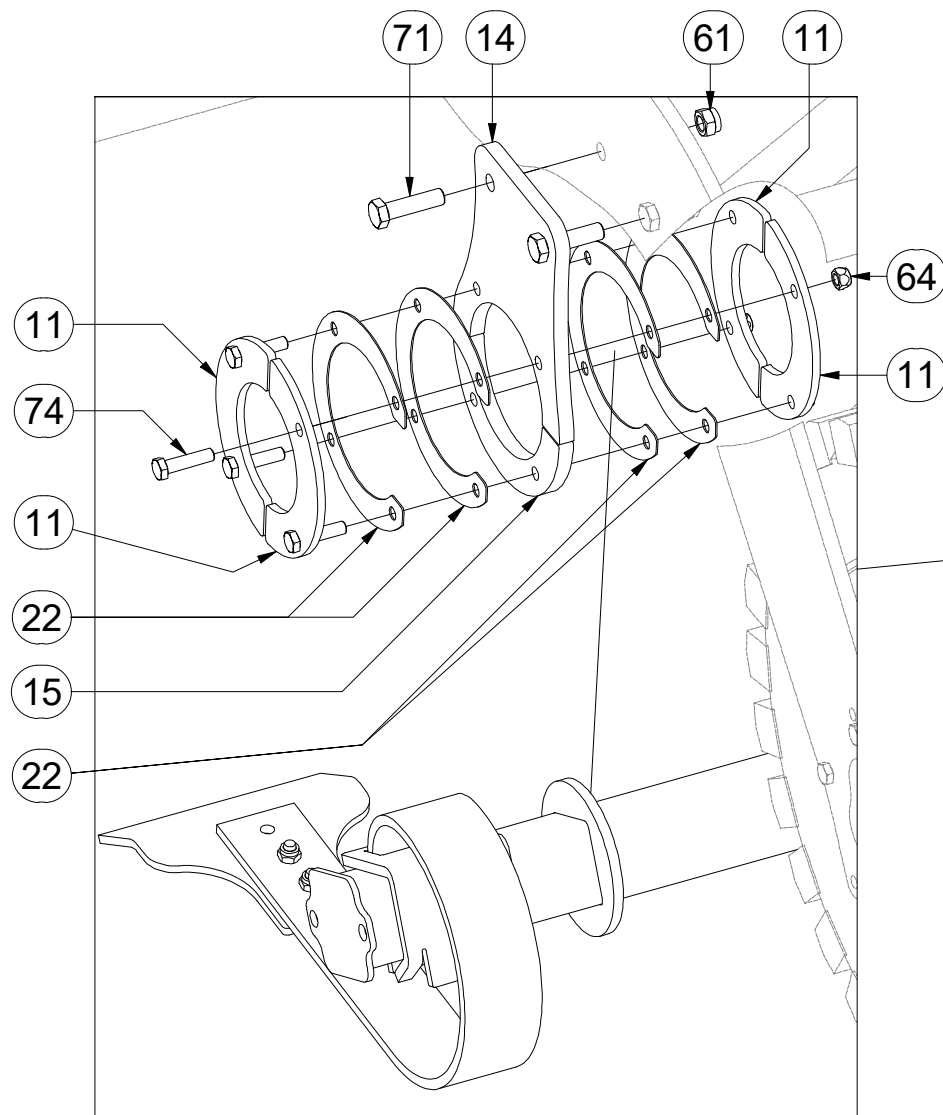
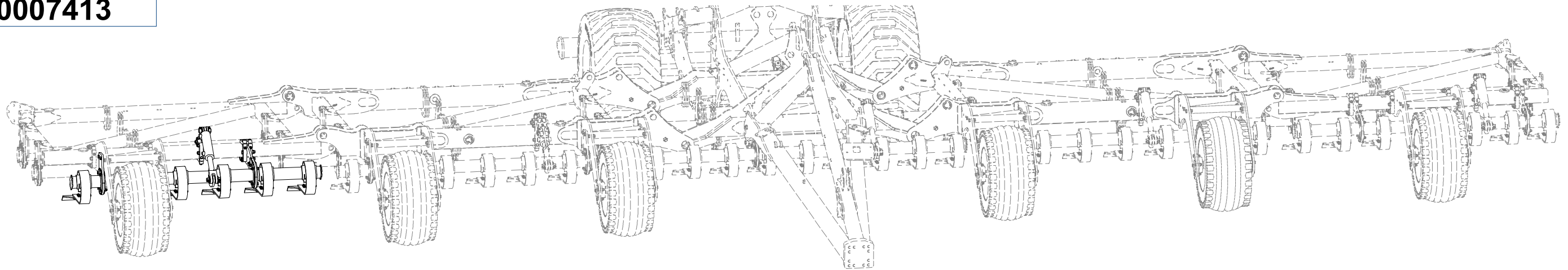
ⒼB SET OF FRONT LEVELLING BARS

ⒶR КОМПЛЕКТ ПЕРЕДНИХ БОРОН

ⒶL ZESTAW PRZEDNICH WŁÓK



VZ00007413



| Pos. | Part Number | Pcs. | Pos. | Part Number | Pcs. |
|------|-------------|------|------|-------------|------|
| 4 | VZ00007442 | 1 | 26 | 4022733 | 8 |
| 7 | 4022739 | 3 | 31 | 4013009 | 12 |
| 8 | 4015230 | 3 | 61 | m03683 | 9 |
| 9 | 4015229 | 6 | 64 | m12134 | 70 |
| 11 | 4012540 | 30 | 65 | m13846 | 21 |
| 12 | 4015205 | 12 | 71 | m00619 | 16 |
| 14 | VZ00003617 | 1 | 74 | m03339 | 50 |
| 15 | 4022730 | 5 | 75 | m05304 | 9 |
| 22 | VZ00005580 | 30 | 78 | m12493 | 20 |
| 25 | 4022731 | 8 | | | |

Ⓒ SADA PŘEDNÍCH SMYKŮ

Ⓓ SATZ VORDERE ACKERSCHLEPPEN

Ⓕ KIT DE NIVELEURS AVANT

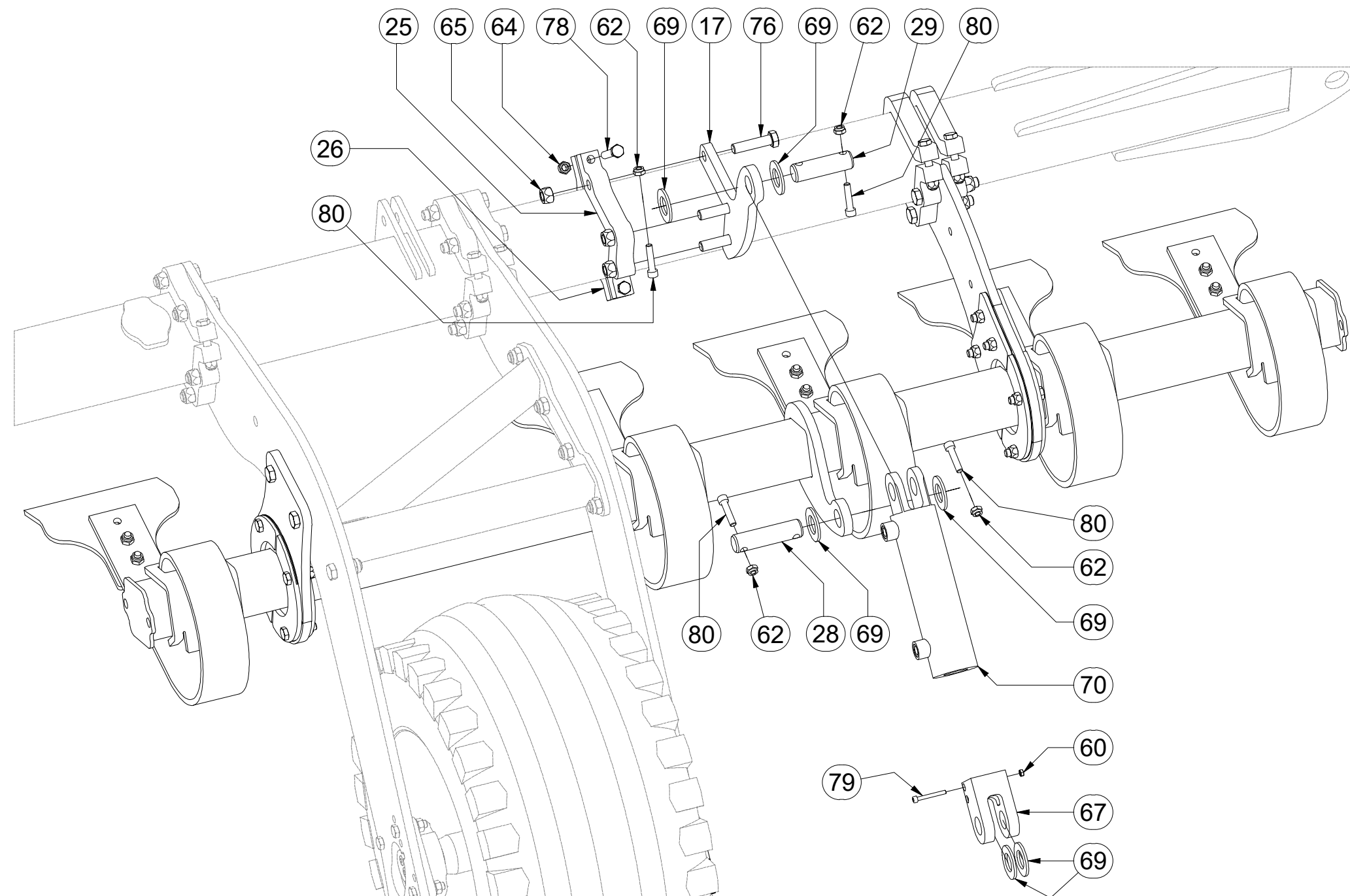
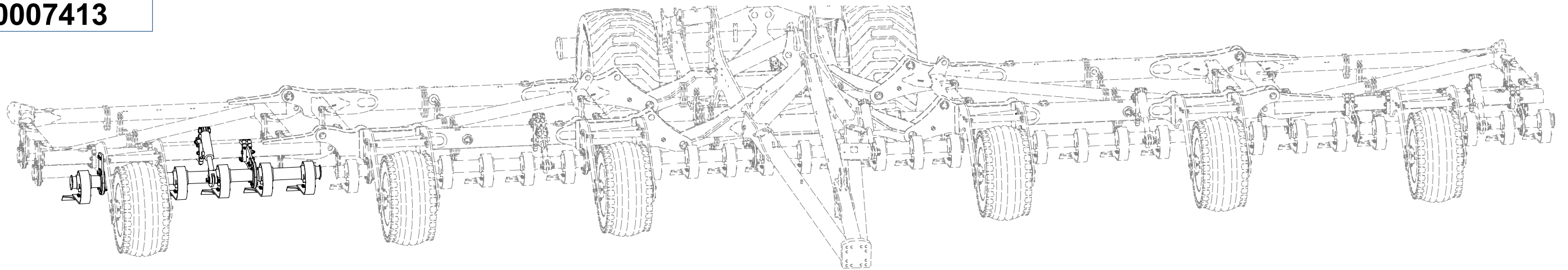
Ⓖ SET OF FRONT LEVELLING BARS

Ⓡ КОМПЛЕКТ ПЕРЕДНИХ БОРОН

Ⓢ ZESTAW PRZEDNICH WŁÓK



VZ00007413



| Pos. | Part Number | Pcs. |
|------|-------------|------|
| 17 | VZ00014683 | 2 |
| 25 | 4022731 | 8 |
| 26 | 4022733 | 8 |
| 28 | 4007639 | 5 |
| 29 | 4008234 | 5 |
| 60 | m01295 | 10 |
| 62 | m03775 | 20 |
| 64 | m12134 | 70 |
| 65 | m13846 | 21 |
| 67 | m15148 | 5 |
| 69 | m14029 | 30 |
| 70 | m14664 | 5 |
| 76 | m06587 | 12 |
| 78 | m12493 | 20 |
| 79 | m07998 | 10 |
| 80 | m14143 | 20 |

ⒸZ SADA PŘEDNÍCH SMYKŮ

Ⓓ SATZ VORDERE ACKERSCHLEPPEN

Ⓕ KIT DE NIVELEURS AVANT

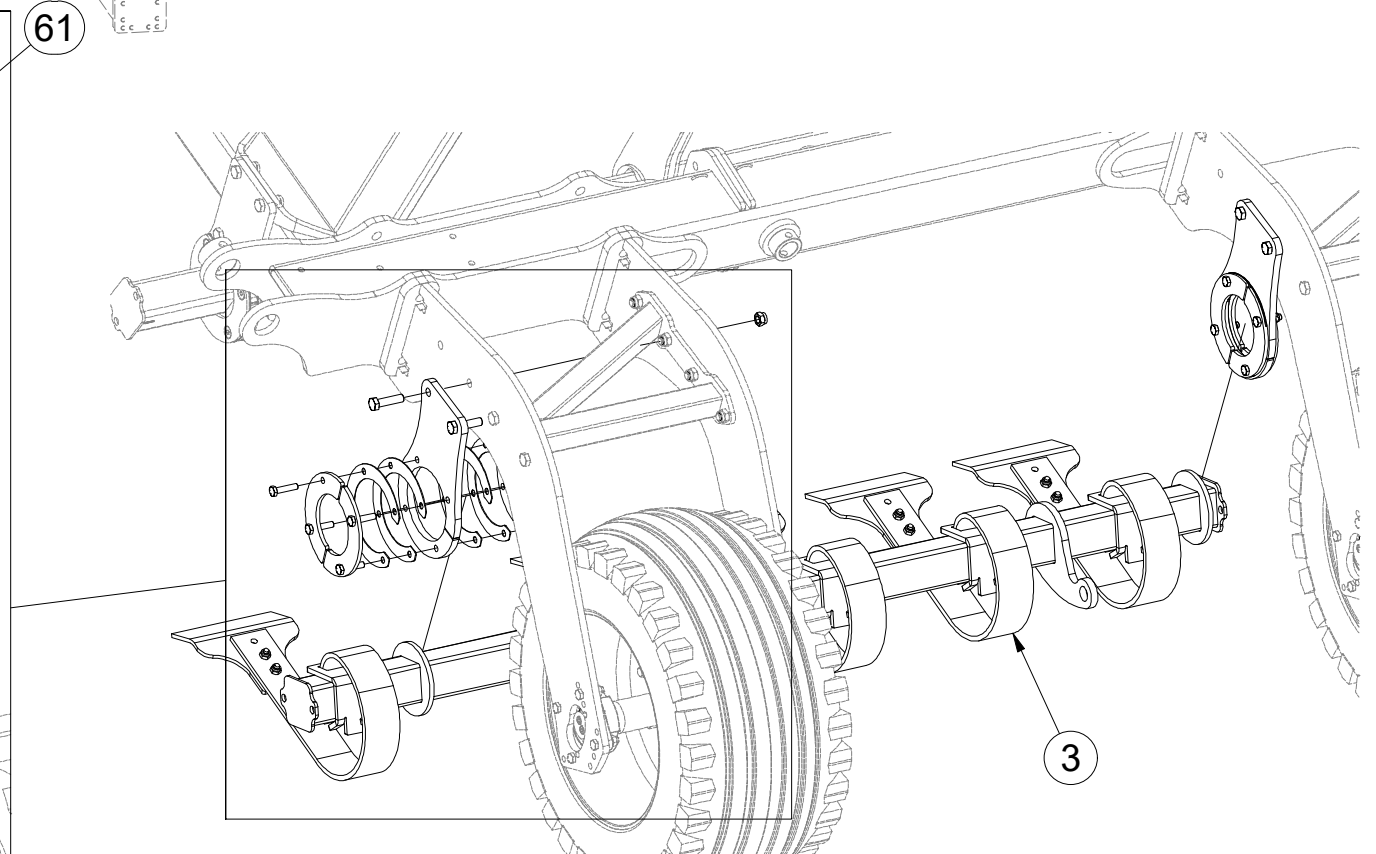
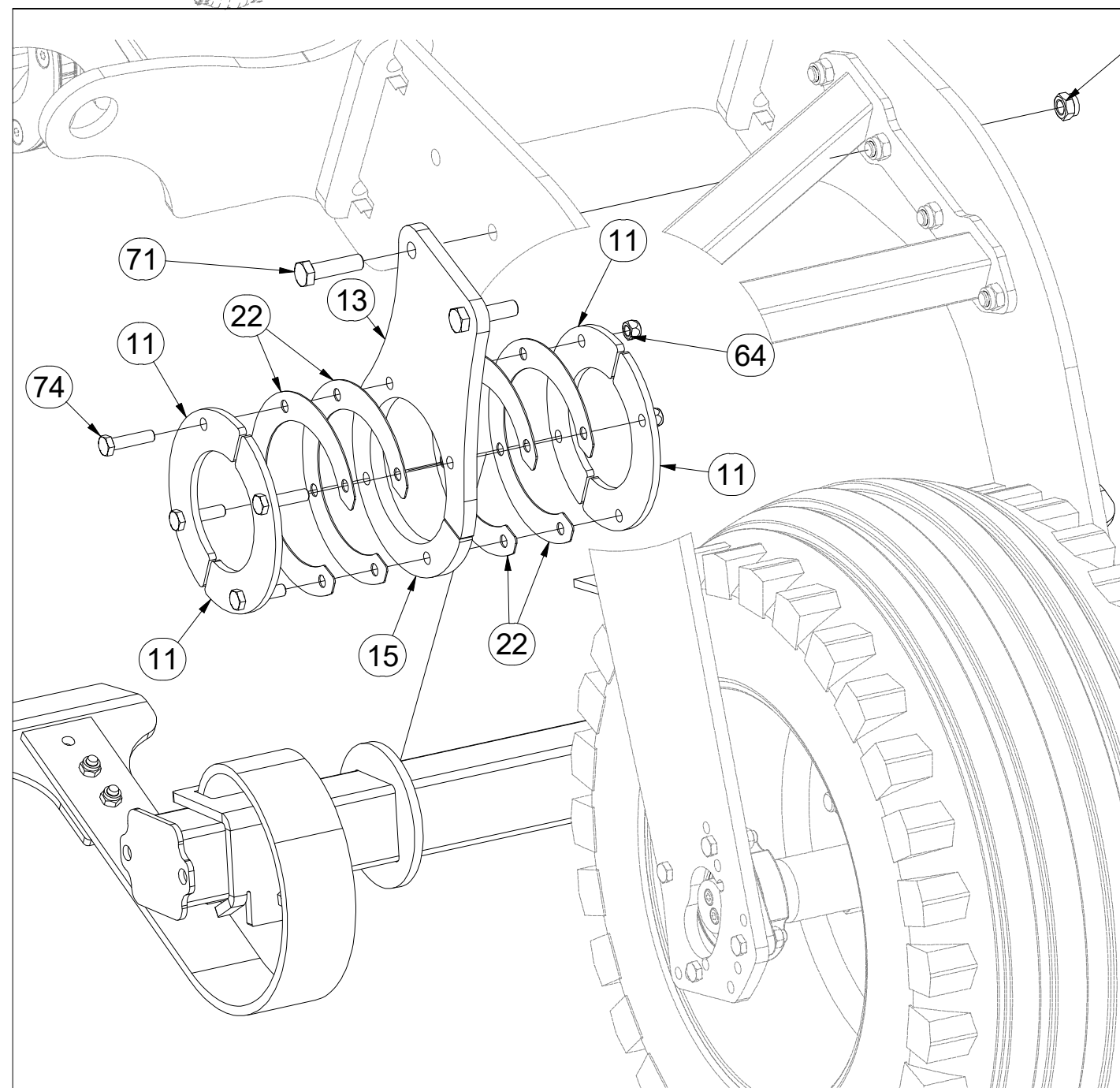
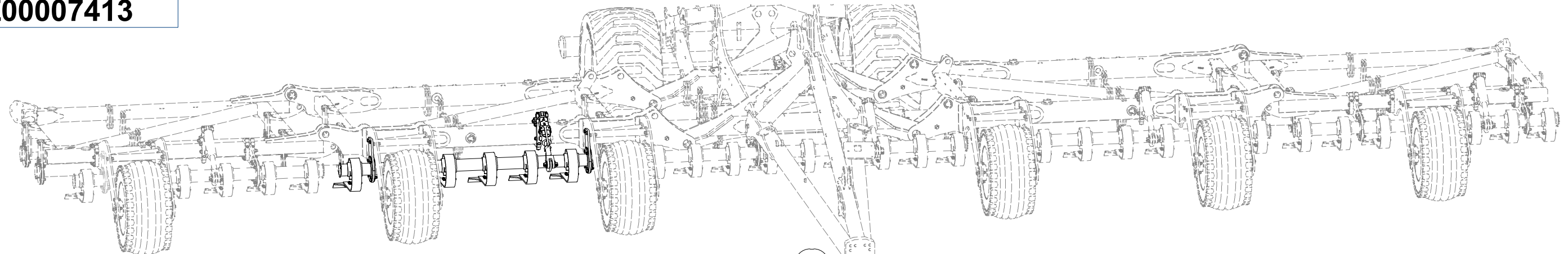
ⒼB SET OF FRONT LEVELLING BARS

ⒺU КОМПЛЕКТ ПЕРЕДНИХ БОРОН

ⒽL ZESTAW PRZEDNICH WŁÓK



VZ00007413



| Pos. | Part Number | Pcs. | Pos. | Part Number | Pcs. |
|------|-------------|------|------|-------------|------|
| 3 | VZ00007723 | 1 | 61 | m03683 | 9 |
| 11 | 4012540 | 30 | 64 | m12134 | 70 |
| 13 | 4022729 | 4 | 71 | m00619 | 16 |
| 15 | 4022730 | 5 | 74 | m03339 | 50 |
| 22 | VZ00005580 | 30 | | | |

Ⓒ SADA PŘEDNÍCH SMYKŮ

Ⓓ SATZ VORDERE ACKERSCHLEPPEN

Ⓕ KIT DE NIVELEURS AVANT

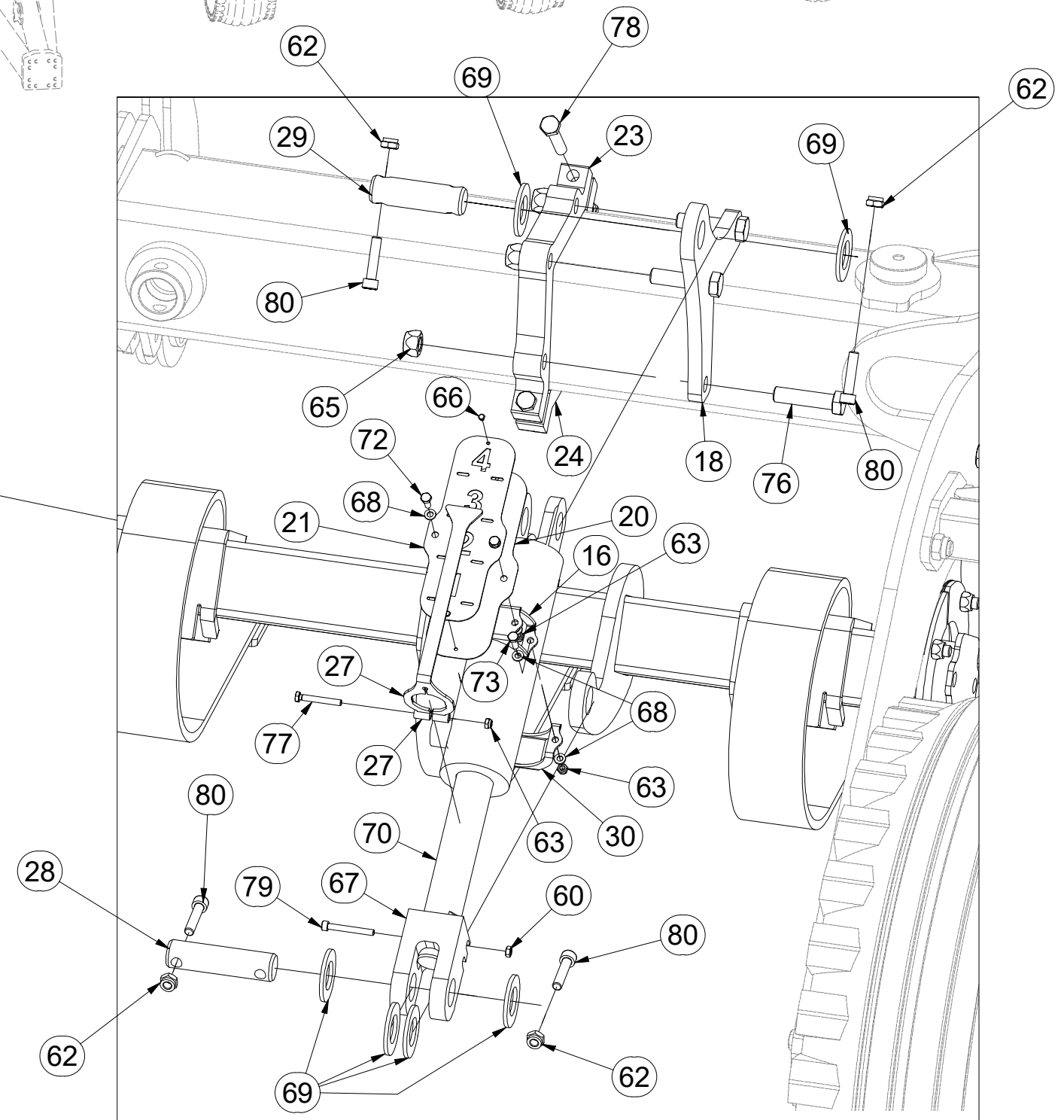
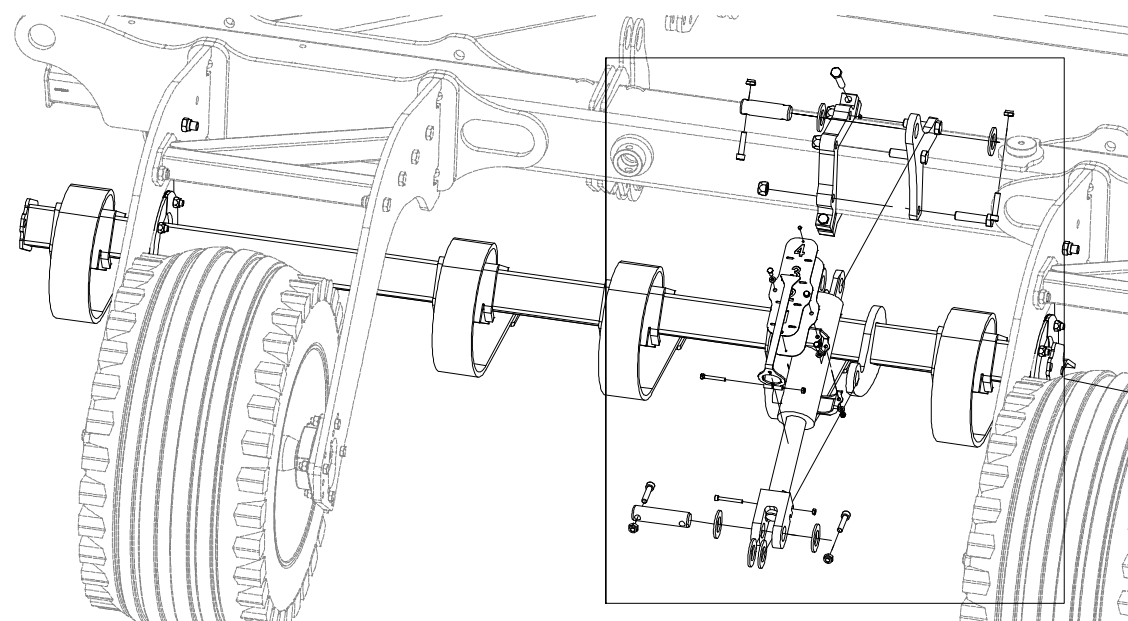
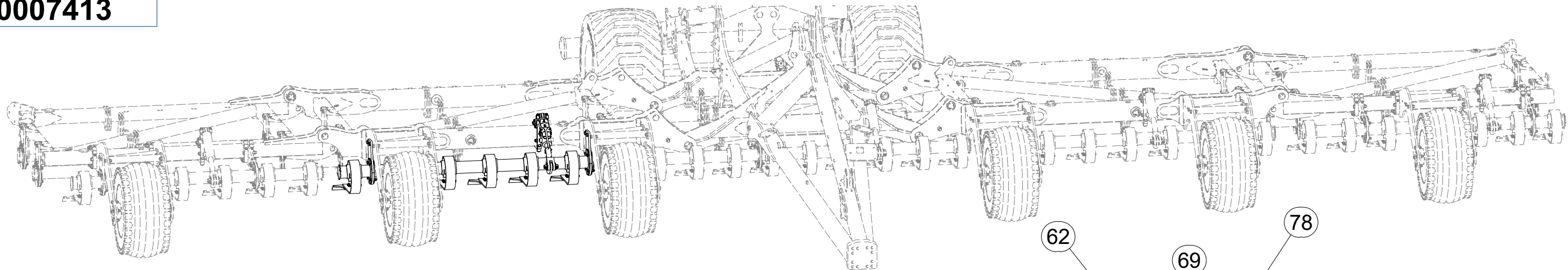
Ⓖ SET OF FRONT LEVELLING BARS

Ⓡ КОМПЛЕКТ ПЕРЕДНИХ БОРОН

Ⓟ ZESTAW PRZEDNICH WŁÓK



VZ00007413



| Pos. | Part Number | Pcs. | Pos. | Part Number | Pcs. |
|------|-------------|------|------|-------------|------|
| 16 | 4019025 | 1 | 65 | m13846 | 21 |
| 18 | 4022340 | 2 | 66 | m15987 | 2 |
| 20 | 4019027 | 1 | 67 | m15148 | 5 |
| 21 | VZ00009648 | 1 | 68 | m01199 | 8 |
| 23 | 4022734 | 2 | 69 | m14029 | 30 |
| 24 | 4022735 | 2 | 70 | m14664 | 5 |
| 27 | 4019029 | 1 | 72 | m01073 | 2 |
| 28 | 4007639 | 5 | 73 | m01074 | 2 |
| 29 | 4008234 | 5 | 76 | m06587 | 12 |
| 30 | 4019024 | 1 | 77 | m09456 | 1 |
| 60 | m01295 | 10 | 78 | m12493 | 20 |
| 62 | m03775 | 20 | 79 | m07998 | 10 |
| 63 | m05560 | 5 | 80 | m14143 | 20 |

ⒸZ SADA PŘEDNÍCH SMYKŮ

Ⓓ SATZ VORDERE ACKERSCHLEPPEN

Ⓕ KIT DE NIVELEURS AVANT

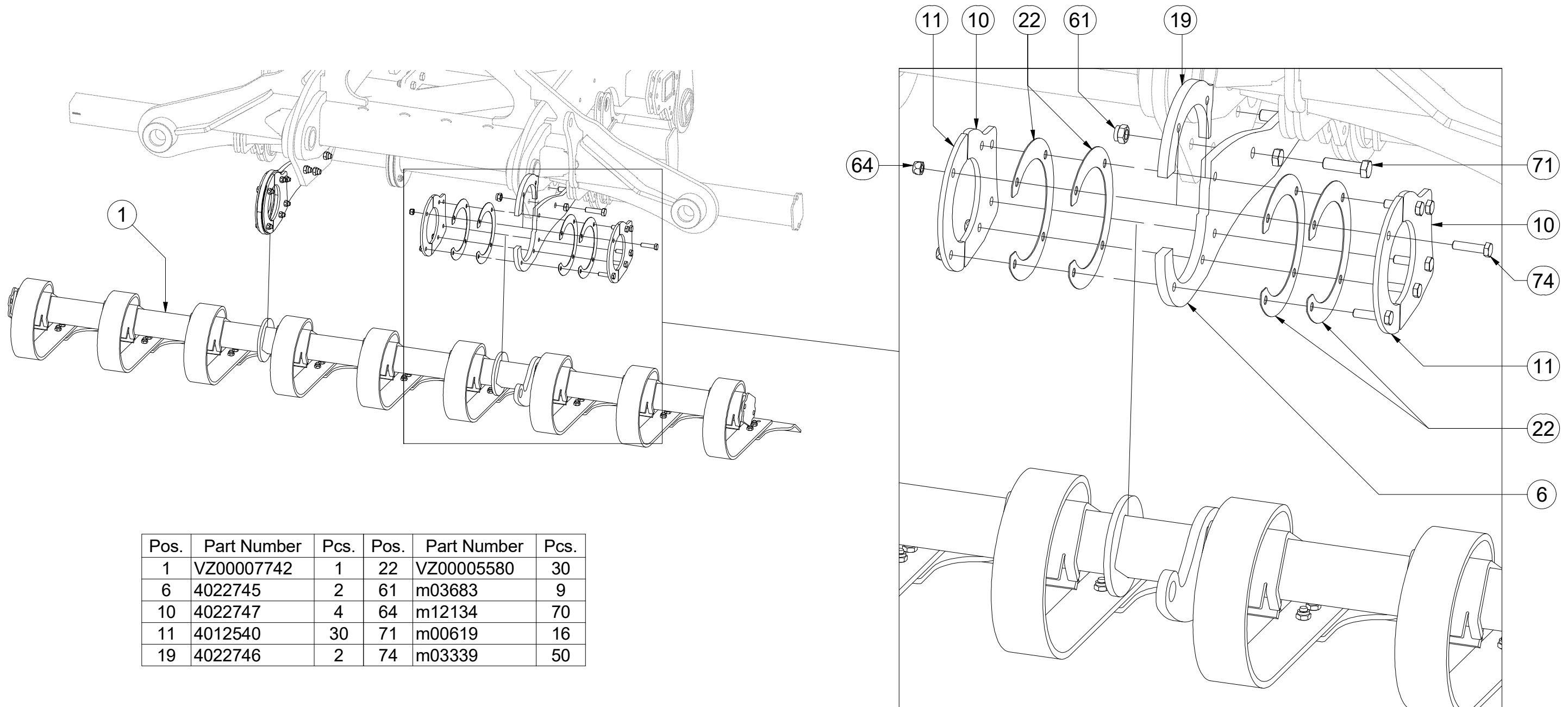
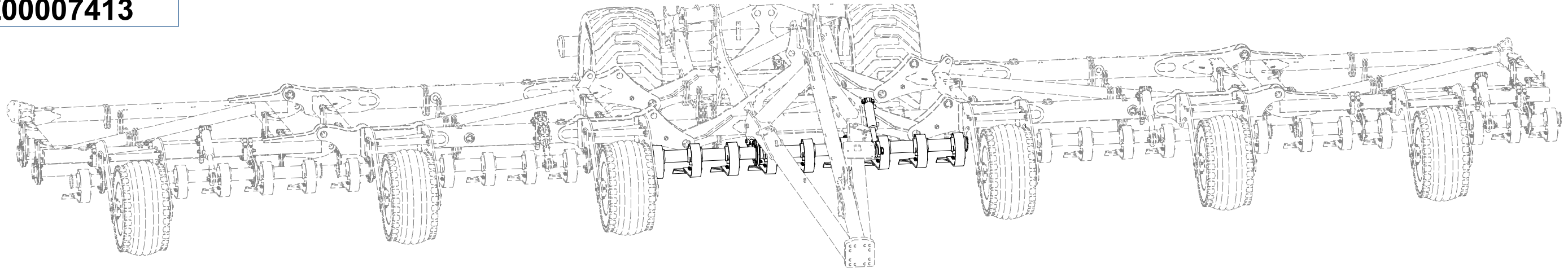
ⒼB SET OF FRONT LEVELLING BARS

ⒶR КОМПЛЕКТ ПЕРЕДНИХ БОРОН

ⒶL ZESTAW PRZEDNICH WŁÓK



VZ00007413



| Pos. | Part Number | Pcs. | Pos. | Part Number | Pcs. |
|------|-------------|------|------|-------------|------|
| 1 | VZ00007742 | 1 | 22 | VZ00005580 | 30 |
| 6 | 4022745 | 2 | 61 | m03683 | 9 |
| 10 | 4022747 | 4 | 64 | m12134 | 70 |
| 11 | 4012540 | 30 | 71 | m00619 | 16 |
| 19 | 4022746 | 2 | 74 | m03339 | 50 |

Ⓒ SADA PŘEDNÍCH SMYKŮ

Ⓓ SATZ VORDERE ACKERSCHLEPPEN

Ⓕ KIT DE NIVELEURS AVANT

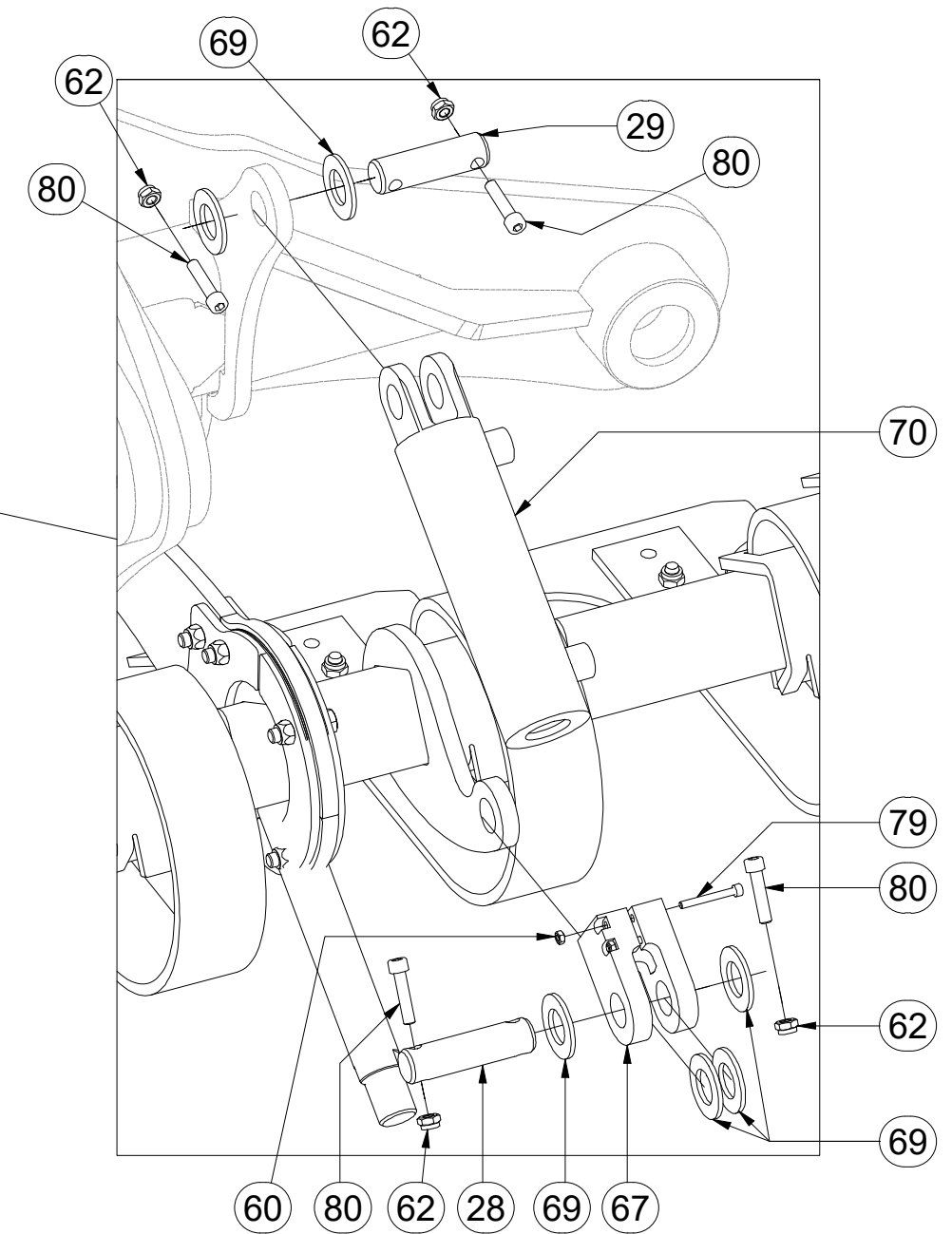
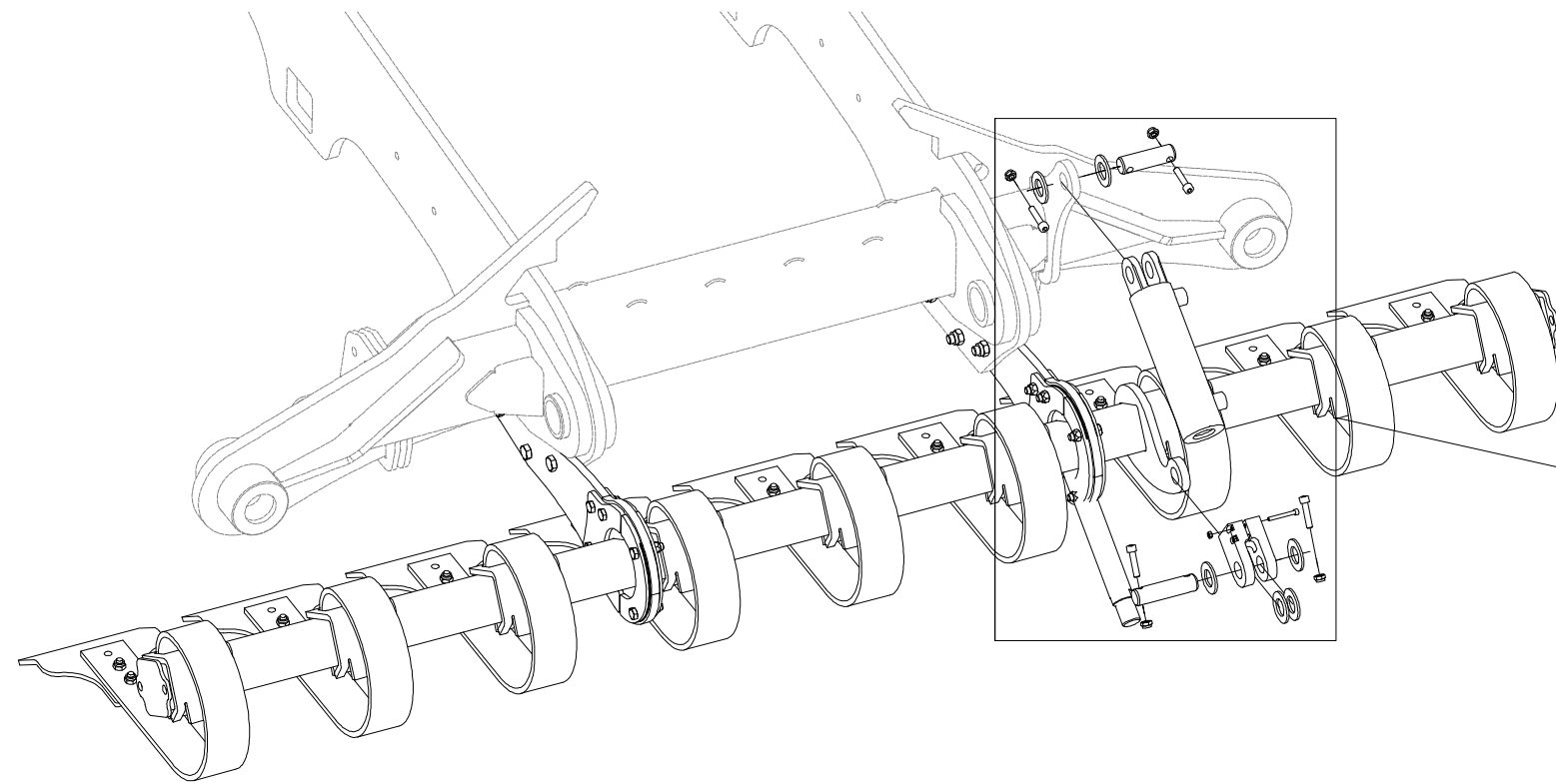
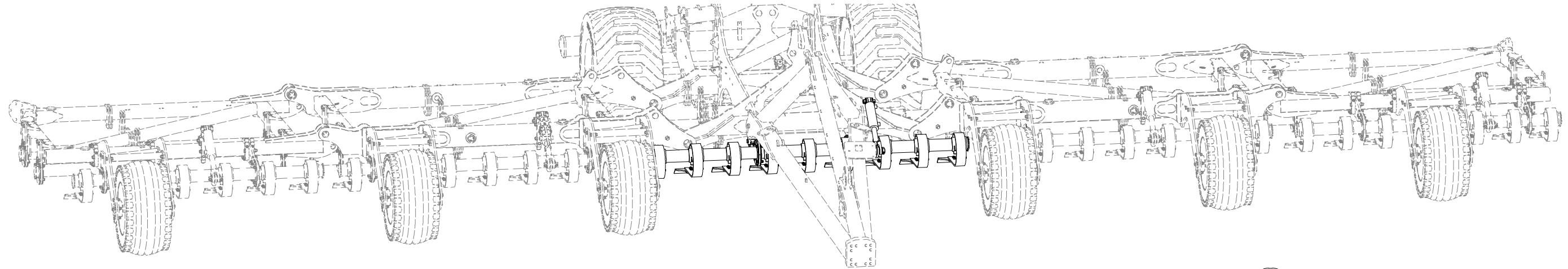
Ⓖ SET OF FRONT LEVELLING BARS

Ⓡ КОМПЛЕКТ ПЕРЕДНИХ БОРОН

Ⓟ ZESTAW PRZEDNICH WŁÓK



VZ00007413



| Pos. | Part Number | Pcs. | Pos. | Part Number | Pcs. |
|------|-------------|------|------|-------------|------|
| 28 | 4007639 | 5 | 69 | m14029 | 30 |
| 29 | 4008234 | 5 | 70 | m14664 | 5 |
| 60 | m01295 | 10 | 79 | m07998 | 10 |
| 62 | m03775 | 20 | 80 | m14143 | 20 |
| 67 | m15148 | 5 | | | |

ⒸZ SADA PŘEDNÍCH SMYKŮ

Ⓓ SATZ VORDERE ACKERSCHLEPPEN

Ⓕ KIT DE NIVELEURS AVANT

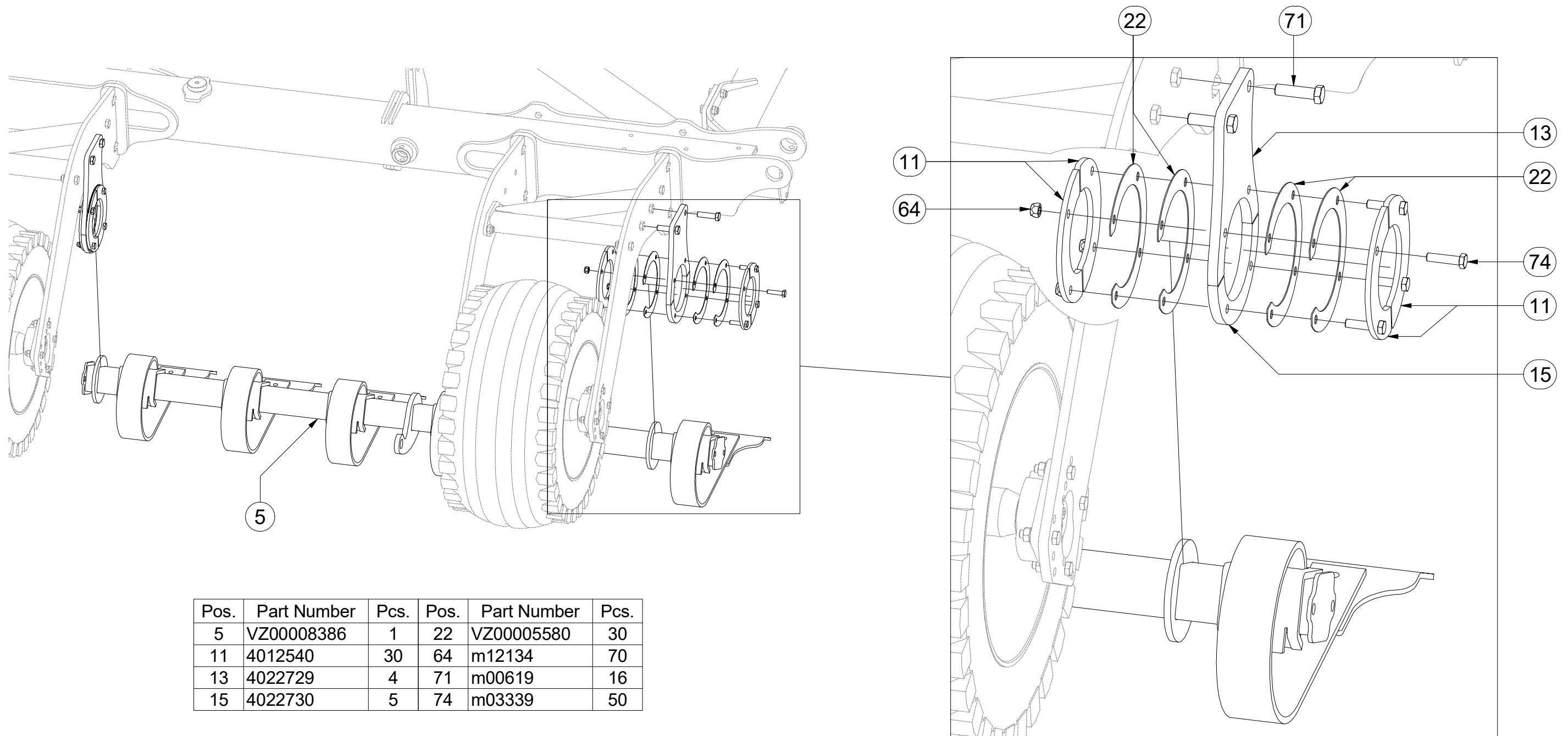
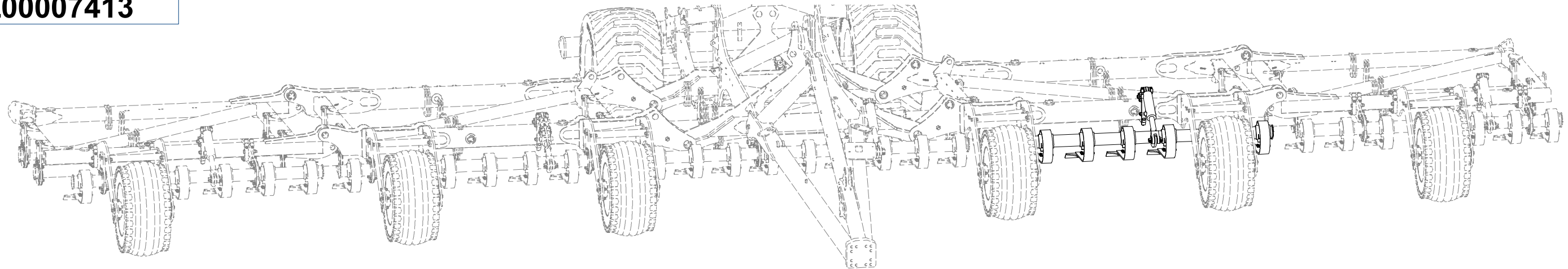
ⒼB SET OF FRONT LEVELLING BARS

ⒺU КОМПЛЕКТ ПЕРЕДНИХ БОРОН

ⒽL ZESTAW PRZEDNICH WŁÓK



VZ00007413



| Pos. | Part Number | Pcs. | Pos. | Part Number | Pcs. |
|------|-------------|------|------|-------------|------|
| 5 | VZ00008386 | 1 | 22 | VZ00005580 | 30 |
| 11 | 4012540 | 30 | 64 | m12134 | 70 |
| 13 | 4022729 | 4 | 71 | m00619 | 16 |
| 15 | 4022730 | 5 | 74 | m03339 | 50 |

ⒸZ SADA PŘEDNÍCH SMYKŮ

Ⓓ SATZ VORDERE ACKERSCHLEPPEN

Ⓕ KIT DE NIVELEURS AVANT

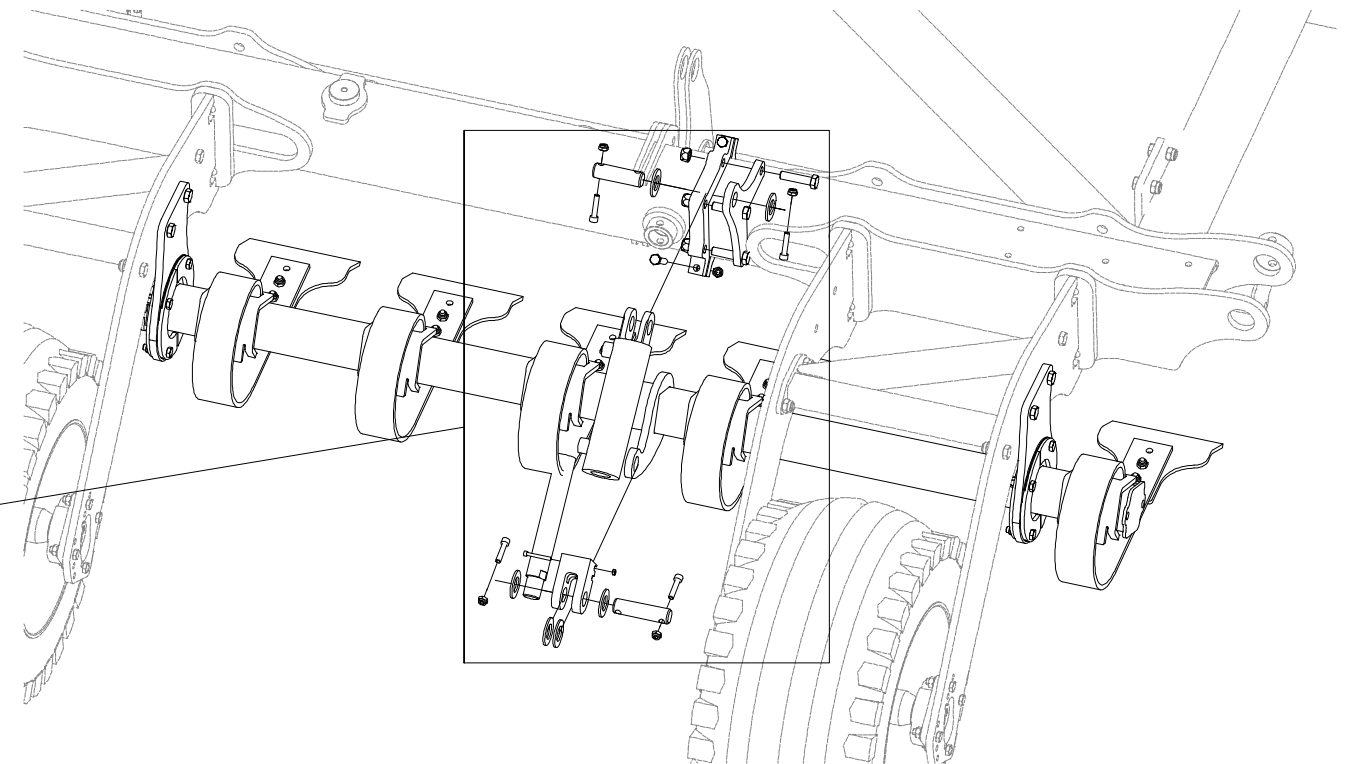
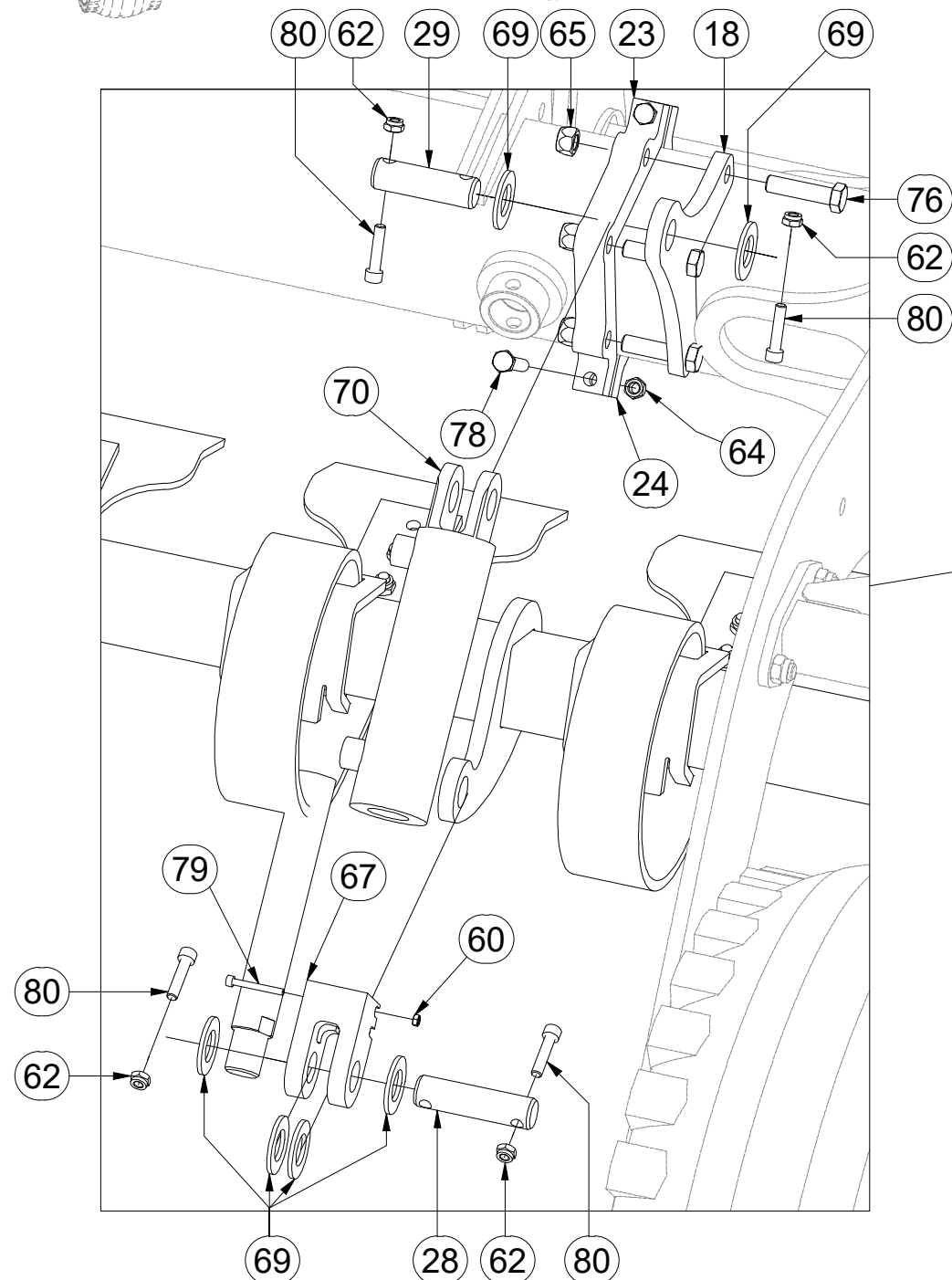
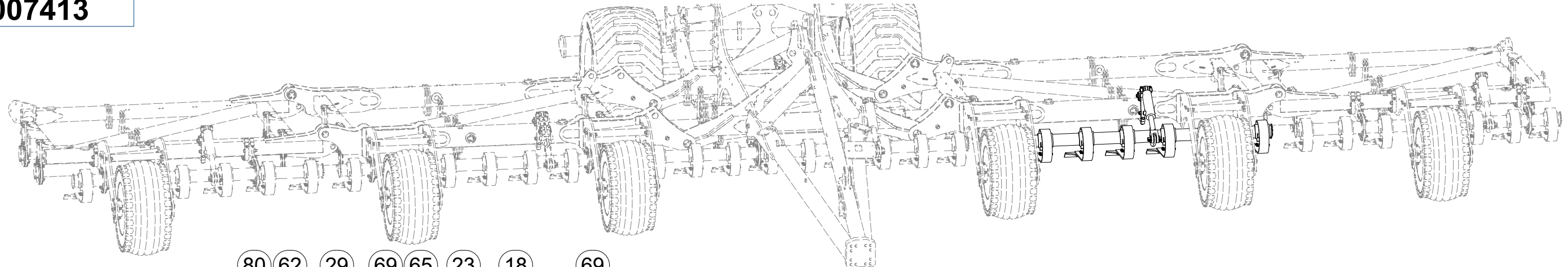
ⒼB SET OF FRONT LEVELLING BARS

ⒺU КОМПЛЕКТ ПЕРЕДНИХ БОРОН

ⒼL ZESTAW PRZEDNICH WŁÓK



VZ00007413



| Pos. | Part Number | Pcs. | Pos. | Part Number | Pcs. |
|------|-------------|------|------|-------------|------|
| 18 | 4022340 | 2 | 65 | m13846 | 21 |
| 23 | 4022734 | 2 | 67 | m15148 | 5 |
| 24 | 4022735 | 2 | 69 | m14029 | 30 |
| 28 | 4007639 | 5 | 70 | m14664 | 5 |
| 29 | 4008234 | 5 | 76 | m06587 | 12 |
| 60 | m01295 | 10 | 78 | m12493 | 20 |
| 62 | m03775 | 20 | 79 | m07998 | 10 |
| 64 | m12134 | 70 | 80 | m14143 | 20 |

ⒸZ SADA PŘEDNÍCH SMYKŮ

Ⓓ SATZ VORDERE ACKERSCHLEPPEN

Ⓕ KIT DE NIVELEURS AVANT

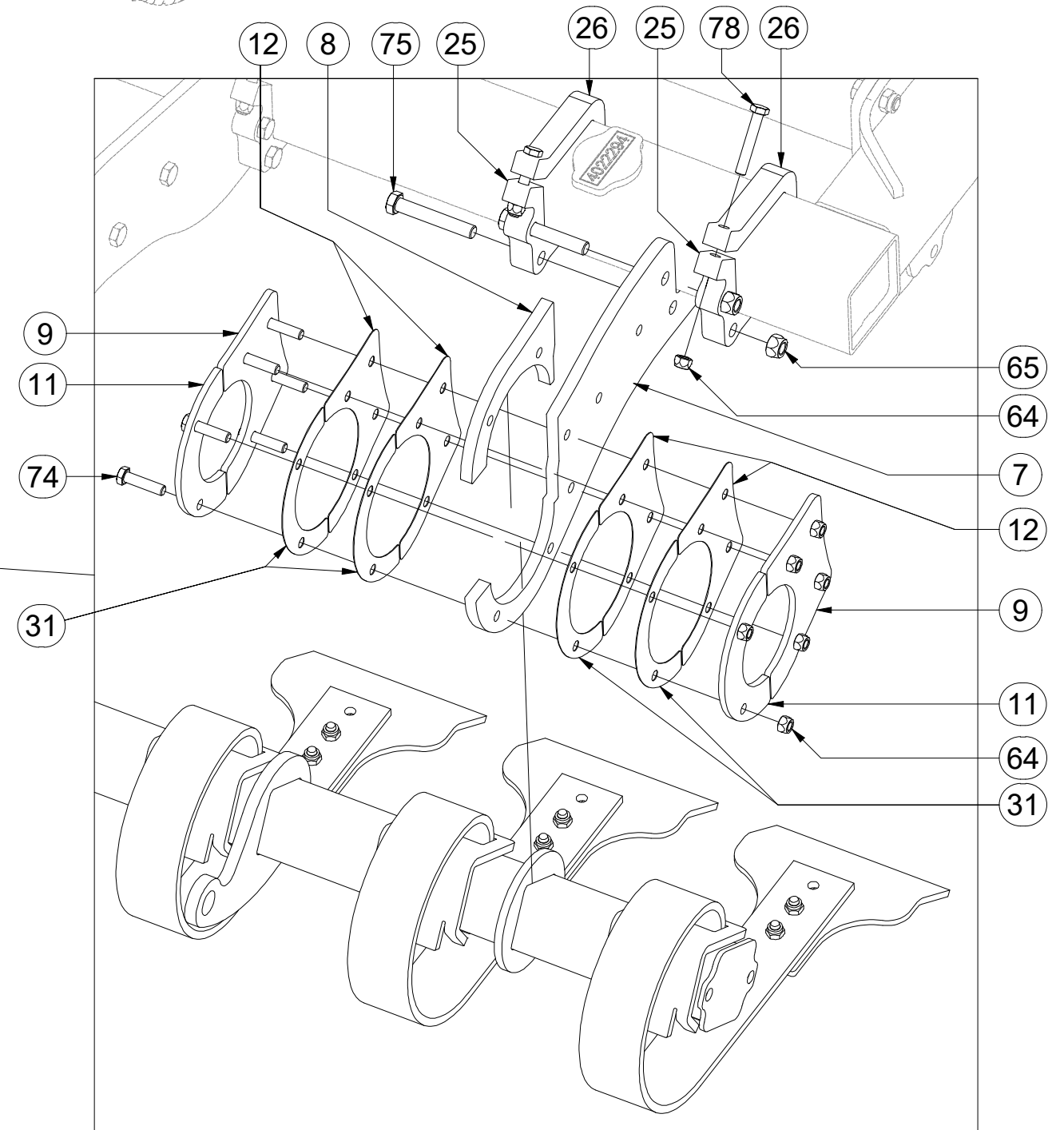
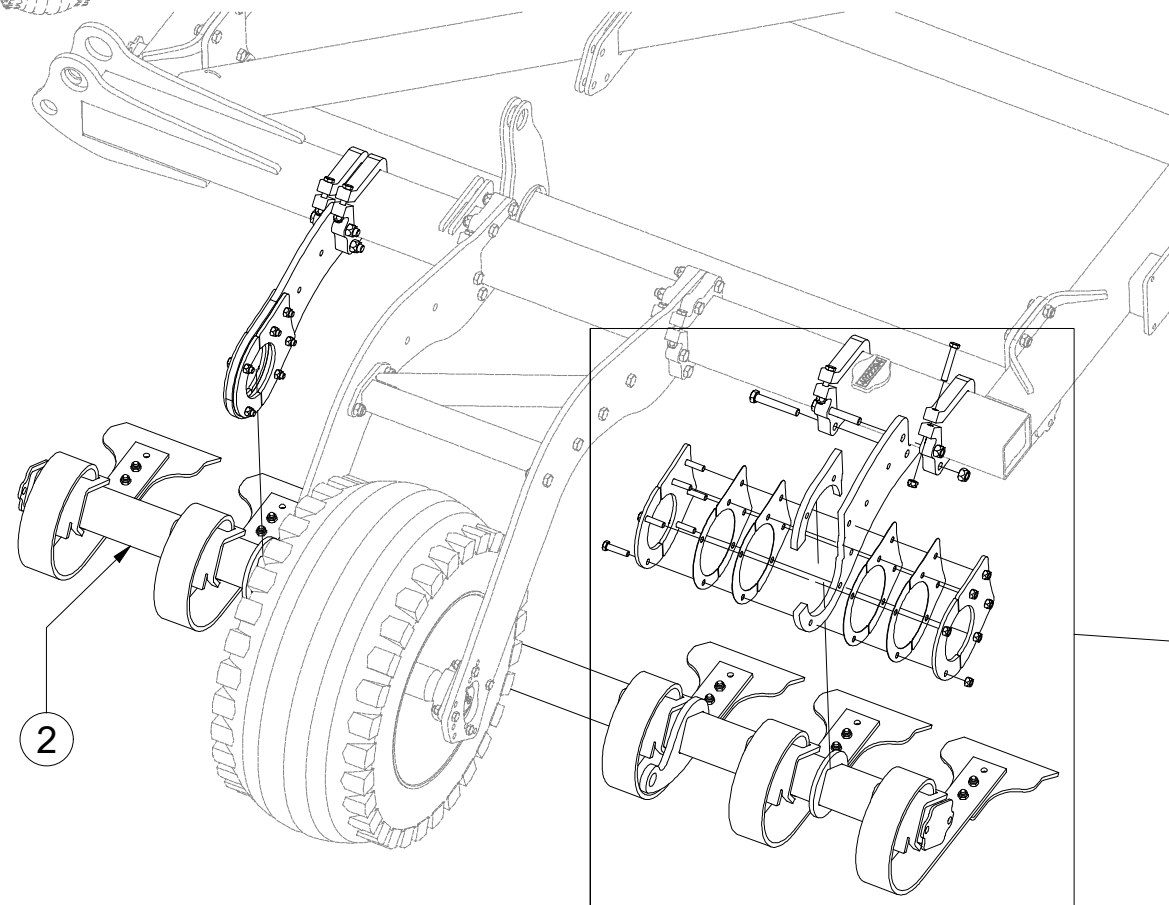
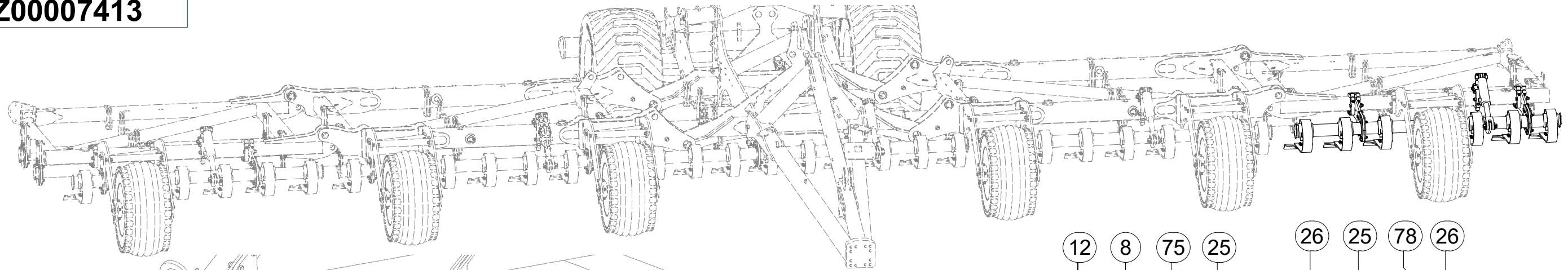
ⒼB SET OF FRONT LEVELLING BARS

ⒶR КОМПЛЕКТ ПЕРЕДНИХ БОРОН

ⒶL ZESTAW PRZEDNICH WŁÓK

Farmet

VZ00007413



| Pos. | Part Number | Pcs. | Pos. | Part Number | Pcs. |
|------|-------------|------|------|-------------|------|
| 2 | VZ00008388 | 1 | 26 | 4022733 | 8 |
| 7 | 4022739 | 3 | 31 | 4013009 | 12 |
| 8 | 4015230 | 3 | 64 | m12134 | 70 |
| 9 | 4015229 | 6 | 65 | m13846 | 21 |
| 11 | 4012540 | 30 | 74 | m03339 | 50 |
| 12 | 4015205 | 12 | 75 | m05304 | 9 |
| 25 | 4022731 | 8 | 78 | m12493 | 20 |

Ⓒ SADA PŘEDNÍCH SMYKŮ

Ⓓ SATZ VORDERE ACKERSCHLEPPEN

Ⓕ KIT DE NIVELEURS AVANT

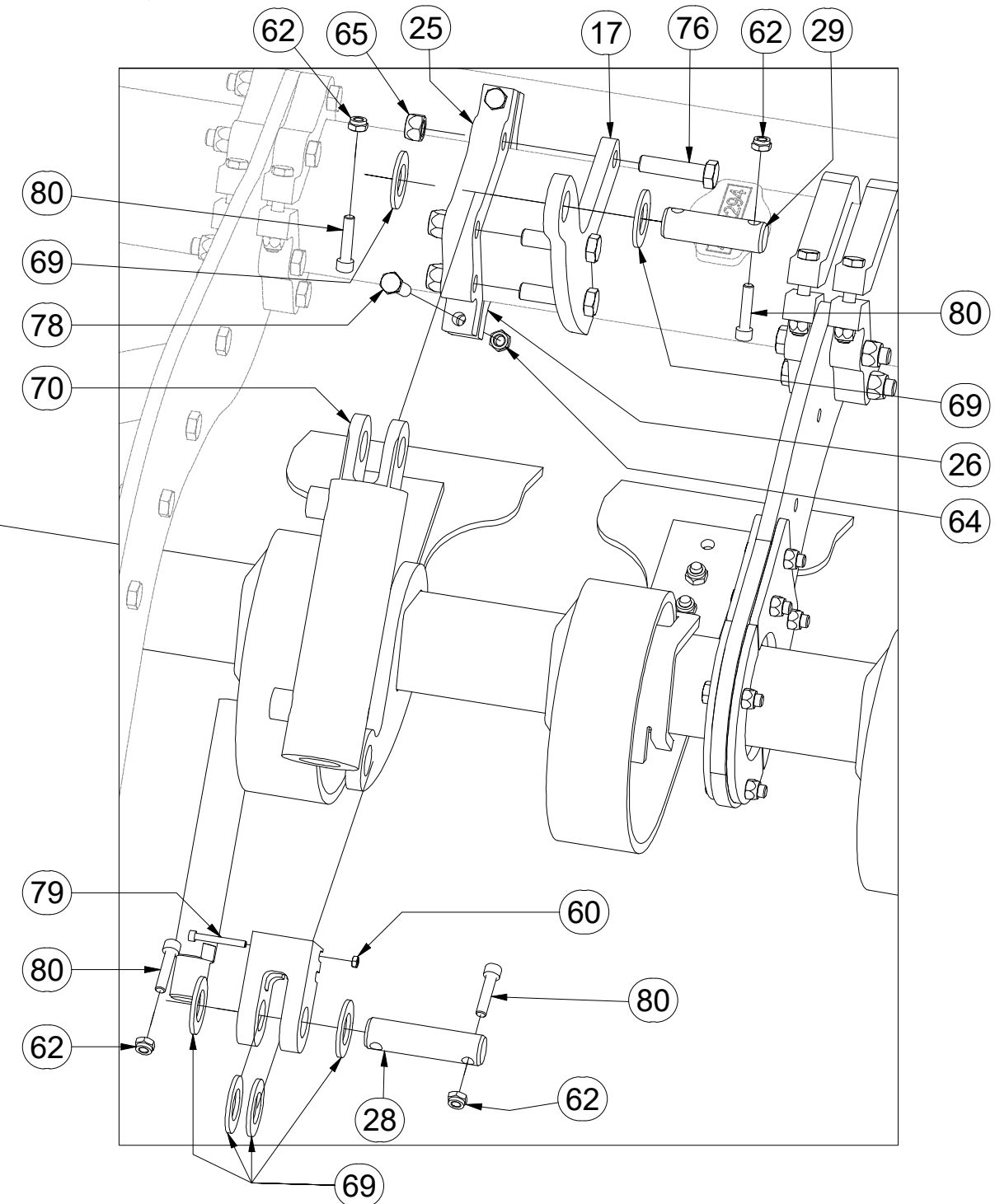
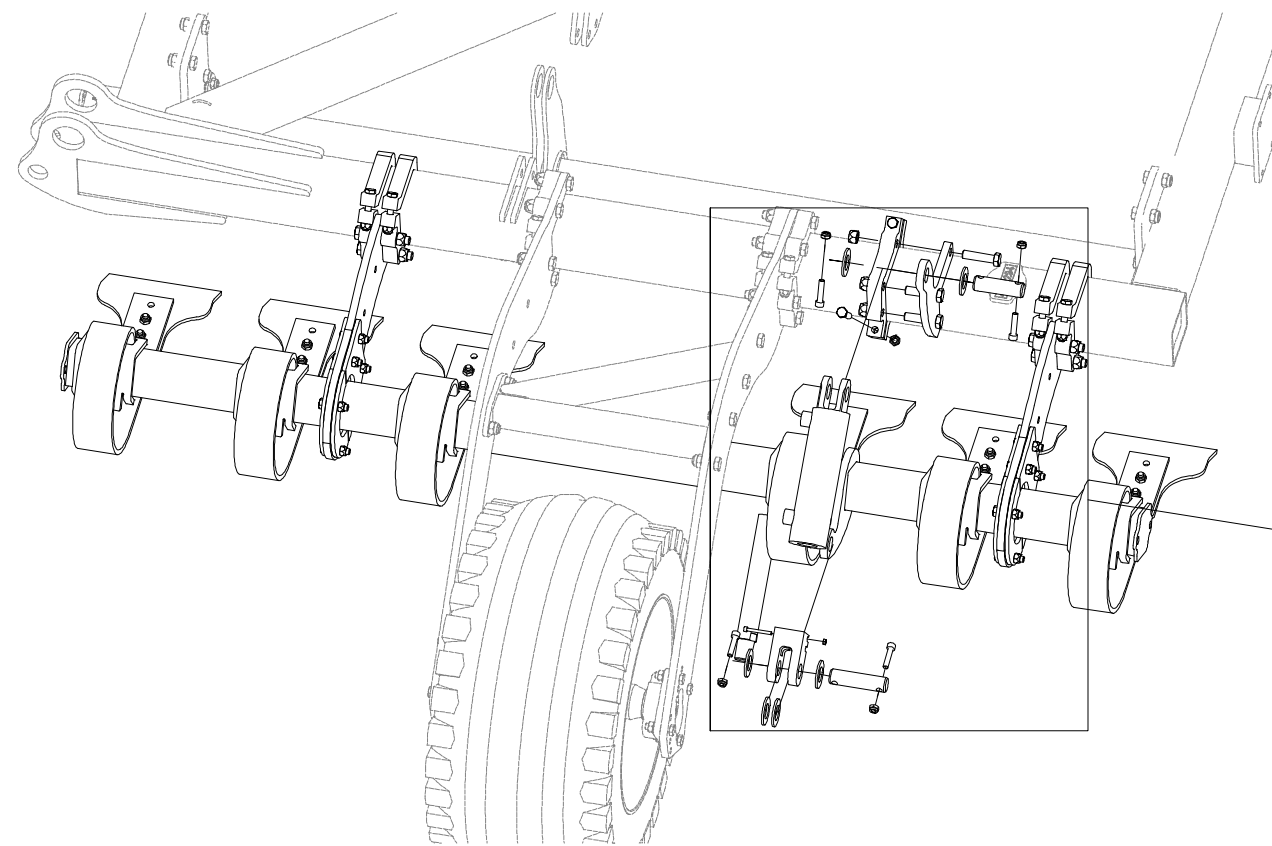
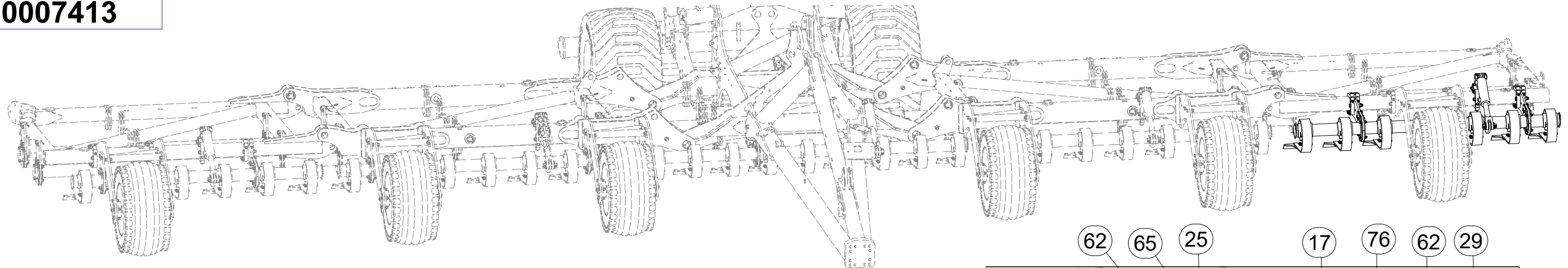
Ⓖ SET OF FRONT LEVELLING BARS

Ⓡ КОМПЛЕКТ ПЕРЕДНИХ БОРОН

Ⓢ ZESTAW PRZEDNICH WŁÓK



VZ00007413



| Pos. | Part Number | Pcs. | Pos. | Part Number | Pcs. |
|------|-------------|------|------|-------------|------|
| 17 | VZ00014683 | 2 | 65 | m13846 | 21 |
| 25 | 4022731 | 8 | 69 | m14029 | 30 |
| 26 | 4022733 | 8 | 70 | m14664 | 5 |
| 28 | 4007639 | 5 | 76 | m06587 | 12 |
| 29 | 4008234 | 5 | 78 | m12493 | 20 |
| 60 | m01295 | 10 | 79 | m07998 | 10 |
| 62 | m03775 | 20 | 80 | m14143 | 20 |
| 64 | m12134 | 70 | | | |

Ⓒ PŘEDNÍ SMYK

Ⓓ VORDERE ACKERSCHLEIFE

Ⓕ NIVELEUR AVANT

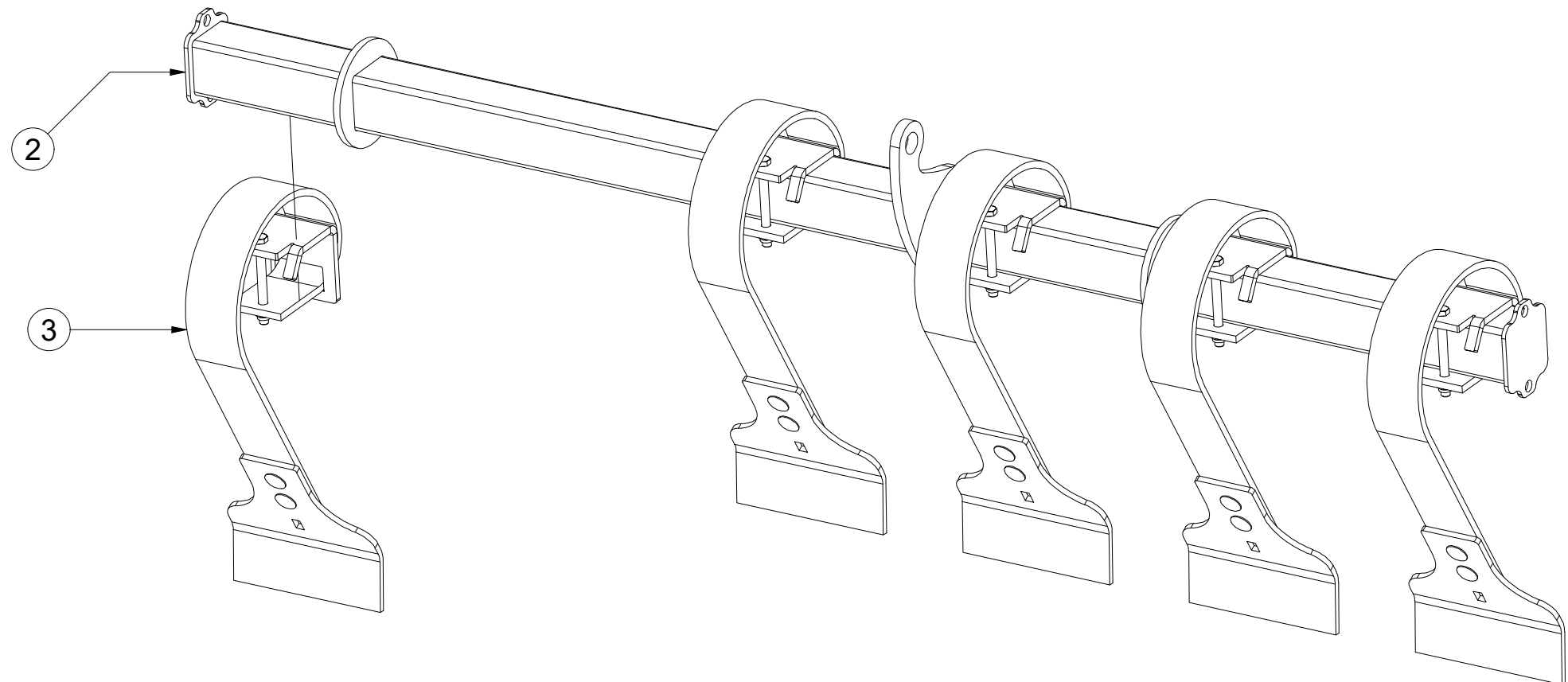
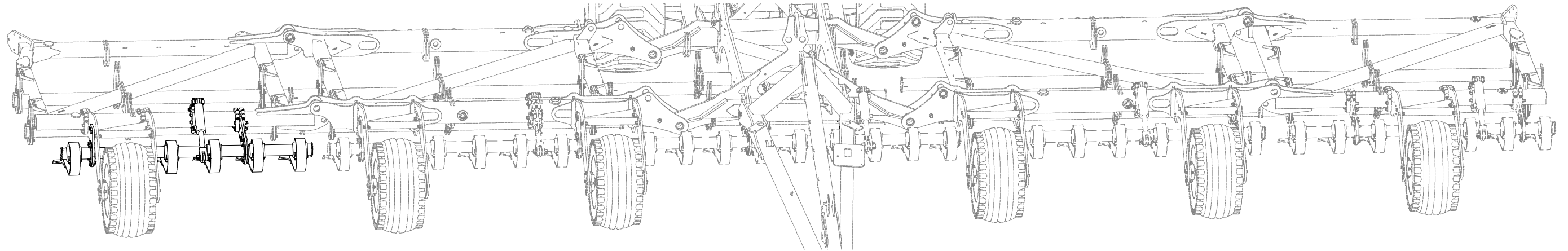
Ⓖ FRONT DRAG

Ⓡ ПЕРЕДНЯЯ БОРОНА

Ⓟ PRZEDNIA WŁÓKA

Farmet

VZ00007442



| Pos. | Part Number | Pcs. |
|------|-------------|------|
| 2 | VZ00007443 | 1 |
| 3 | 4013079 | 5 |

Ⓒ PŘEDNÍ SMYK

Ⓓ VORDERE ACKERSCHLEIFE

Ⓕ NIVELEUR AVANT

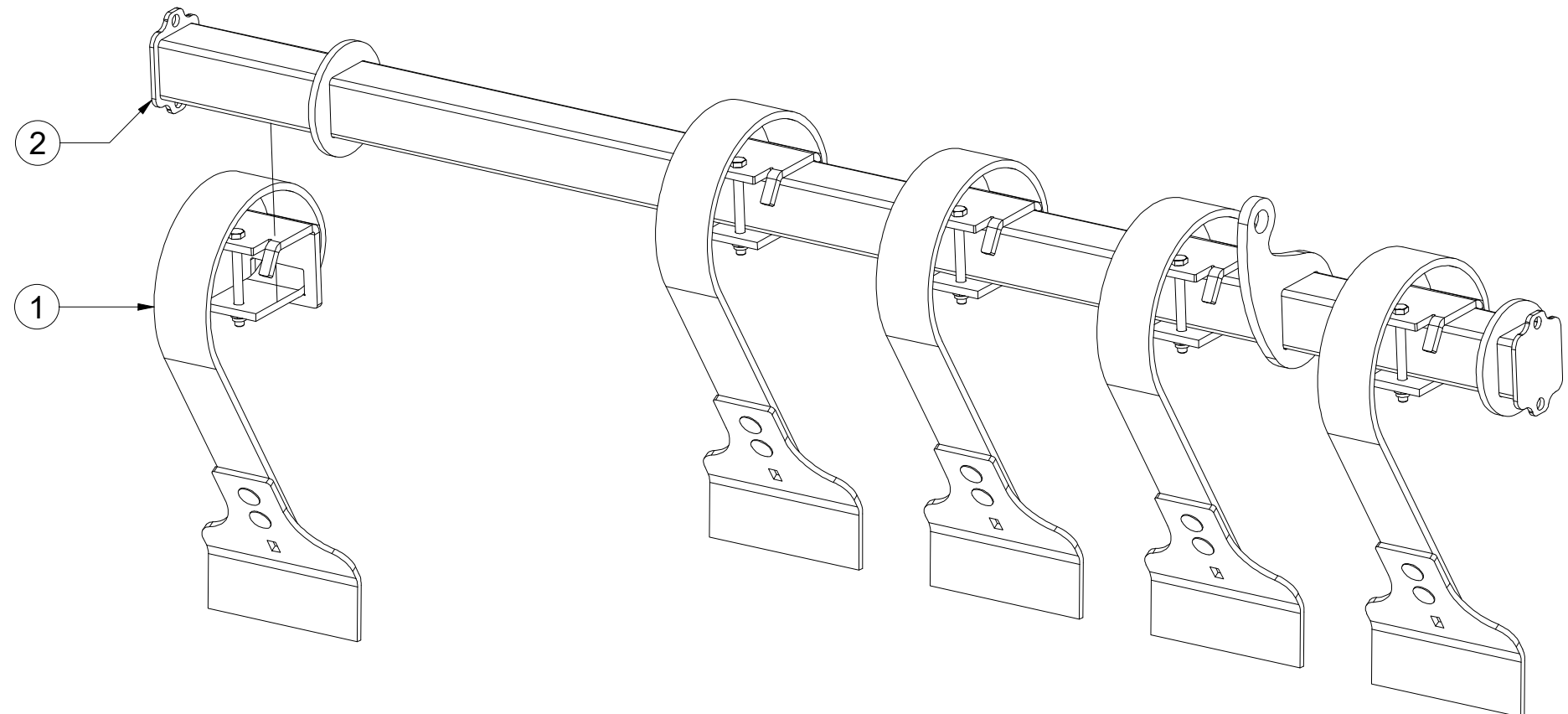
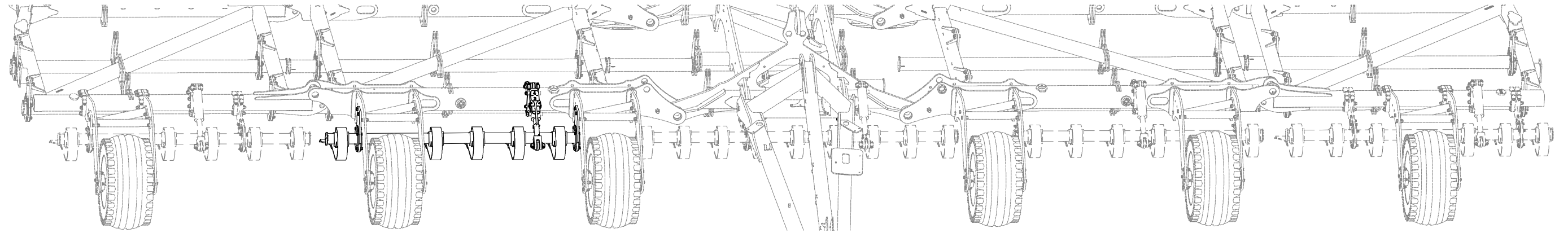
Ⓖ FRONT DRAG

Ⓡ ПЕРЕДНЯЯ БОРОНА

Ⓟ PRZEDNIA WŁÓKA

Farmet

VZ00007723



| Pos. | Part Number | Pcs. |
|------|-------------|------|
| 1 | 4013079 | 5 |
| 2 | VZ00007724 | 1 |

Ⓒ PŘEDNÍ SMYK

Ⓓ VORDERE ACKERSCHLEIFE

Ⓕ NIVELEUR AVANT

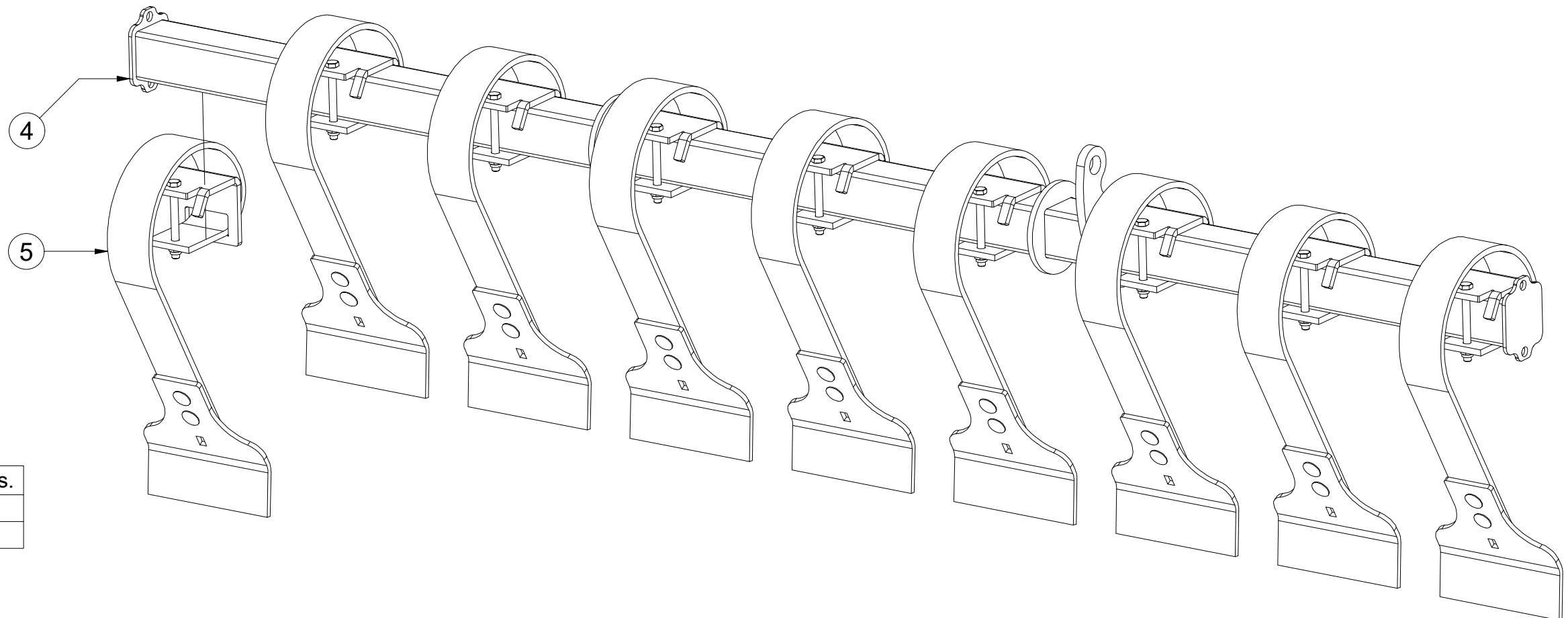
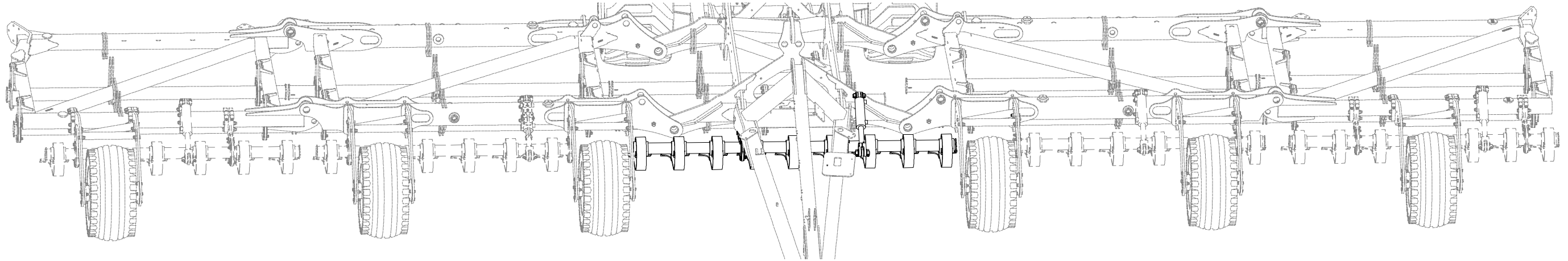
Ⓖ FRONT DRAG

Ⓡ ПЕРЕДНЯЯ БОРОНА

Ⓢ PRZEDNIA WŁÓKA

Farmet

VZ00007742



| Pos. | Part Number | Pcs. |
|------|-------------|------|
| 4 | VZ00007743 | 1 |
| 5 | 4013079 | 9 |

Ⓒ PŘEDNÍ SMYK

Ⓓ VORDERE ACKERSCHLEIFE

Ⓕ NIVELEUR AVANT

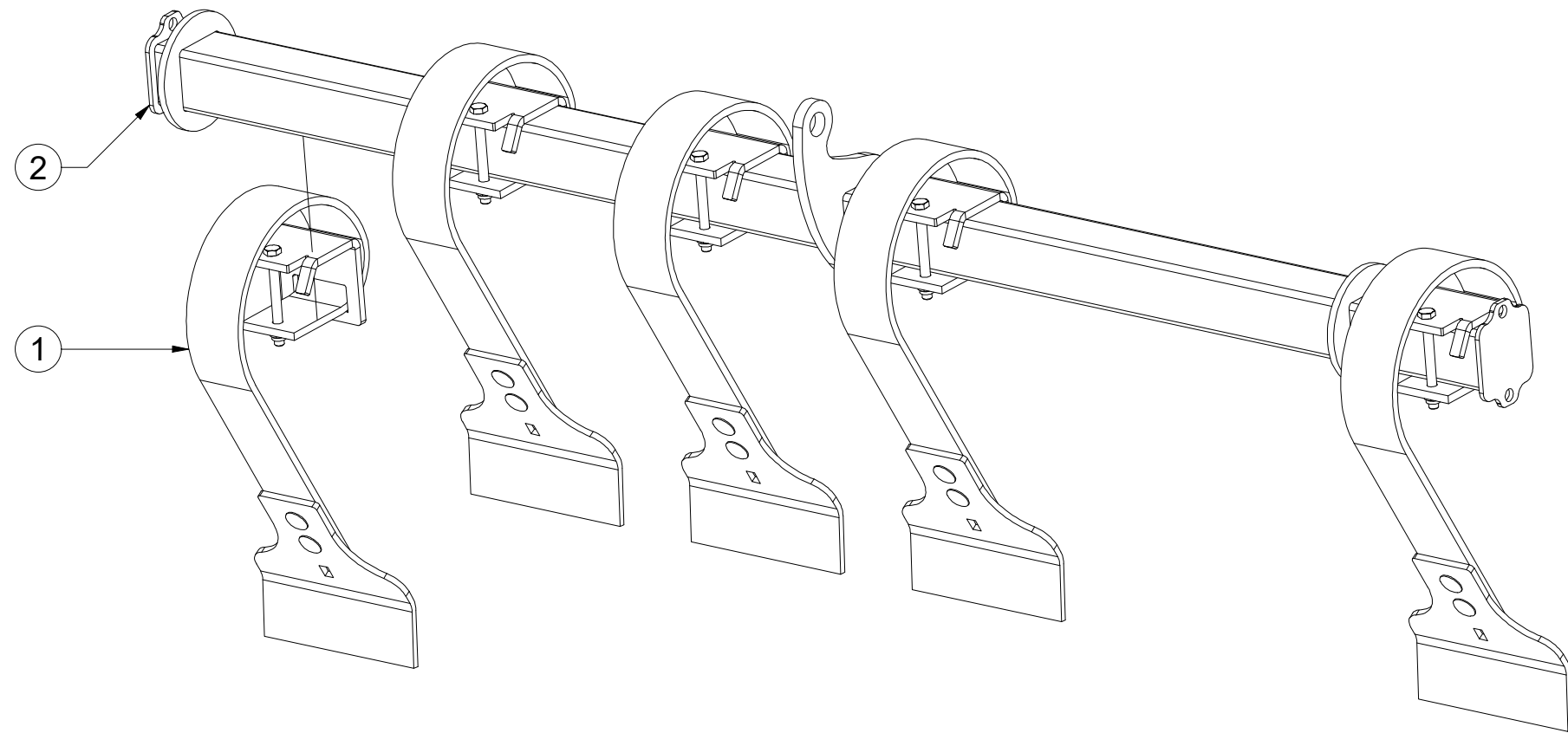
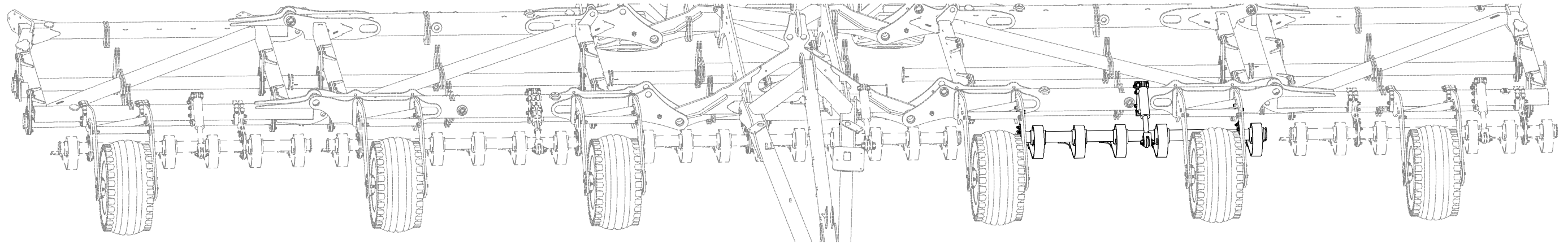
Ⓖ FRONT DRAG

Ⓡ ПЕРЕДНЯЯ БОРОНА

Ⓟ PRZEDNIA WŁÓKA



VZ00008386



| Pos. | Part Number | Pcs. |
|------|-------------|------|
| 1 | 4013079 | 5 |
| 2 | VZ00008387 | 1 |

Ⓒ PŘEDNÍ SMYK

Ⓓ VORDERE ACKERSCHLEIFE

Ⓕ NIVELEUR AVANT

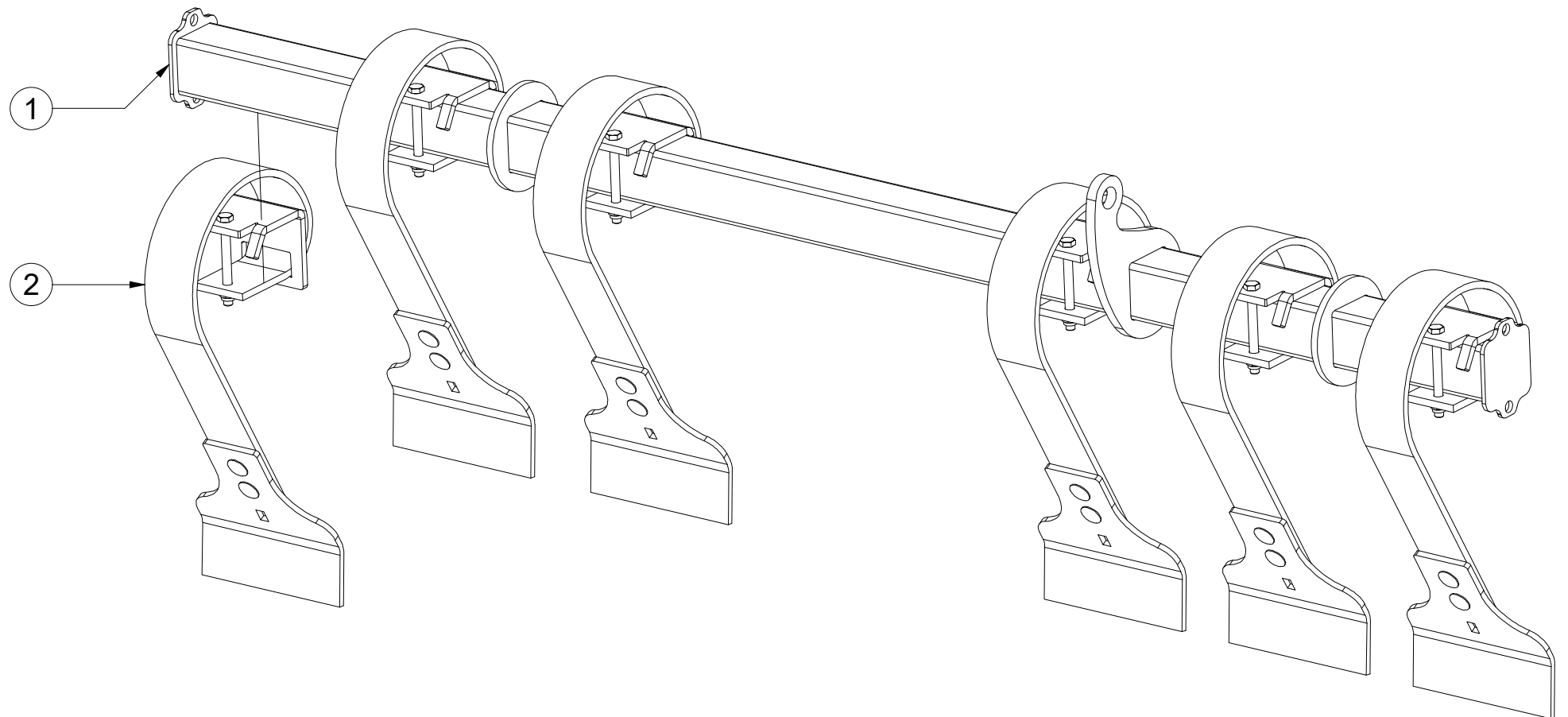
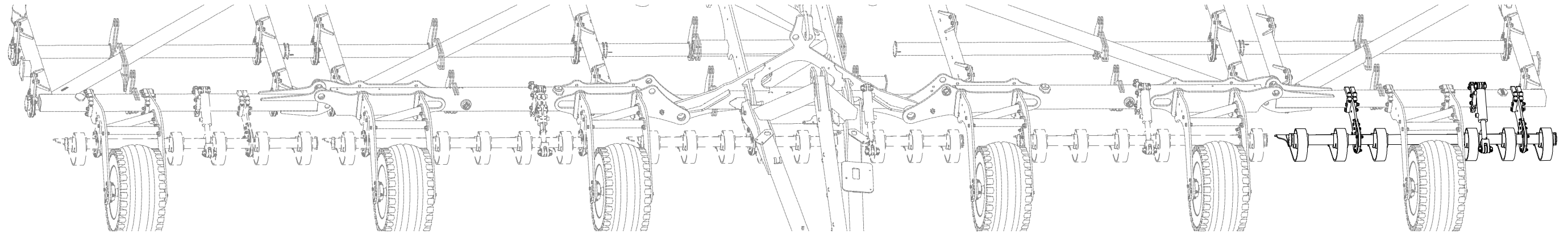
Ⓖ FRONT DRAG

Ⓡ ПЕРЕДНЯЯ БОРОНА

Ⓟ PRZEDNIA WŁÓKA

Farmet

VZ00008388



| Pos. | Part Number | Pcs. |
|------|-------------|------|
| 1 | VZ00008389 | 1 |
| 2 | 4013079 | 6 |

Ⓒ FLEXIBOARD - PŘEDNÍ

Ⓓ FLEXIBOARD - VORDERE

Ⓕ FLEXIBOARD - AVANT

Ⓖ FLEXIBOARD - FRONT

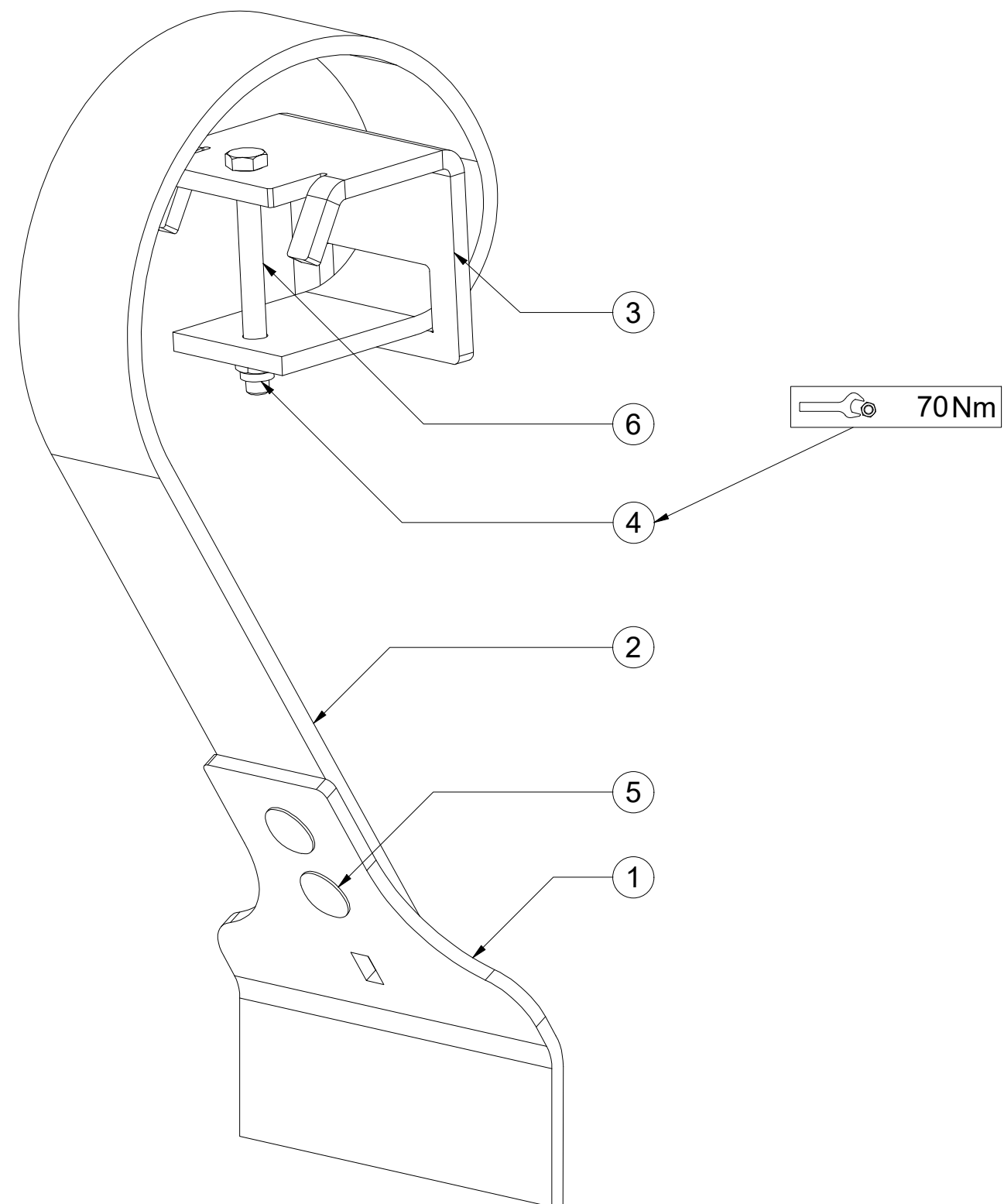
Ⓡ FLEXIBOARD - ПЕРЕДНИЙ

Ⓟ FLEXIBOARD - PRZEDNI



4013079

| Pos. | Part Number | Pcs. |
|------|-------------|------|
| 1 | 4011709 | 1 |
| 2 | 9004399 | 1 |
| 3 | 4023485 | 1 |
| 5 | m10618 | 2 |
| 6 | m13467 | 1 |
| 4 | m04301 | 3 |

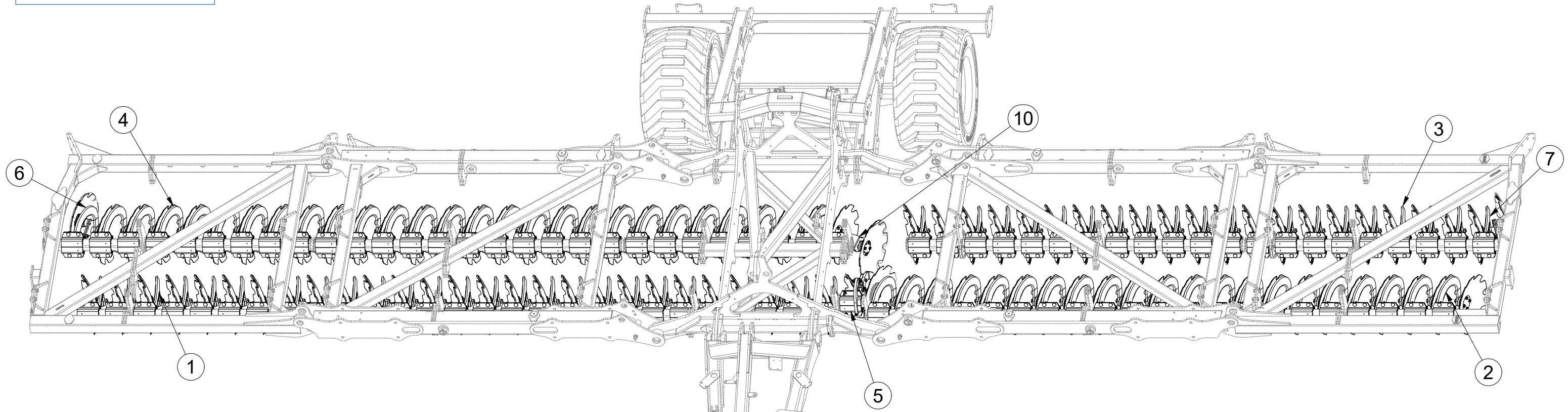


CZ SADA DISKŮ
 D SCHEIBENSATZ
 F KIT DE DISQUES

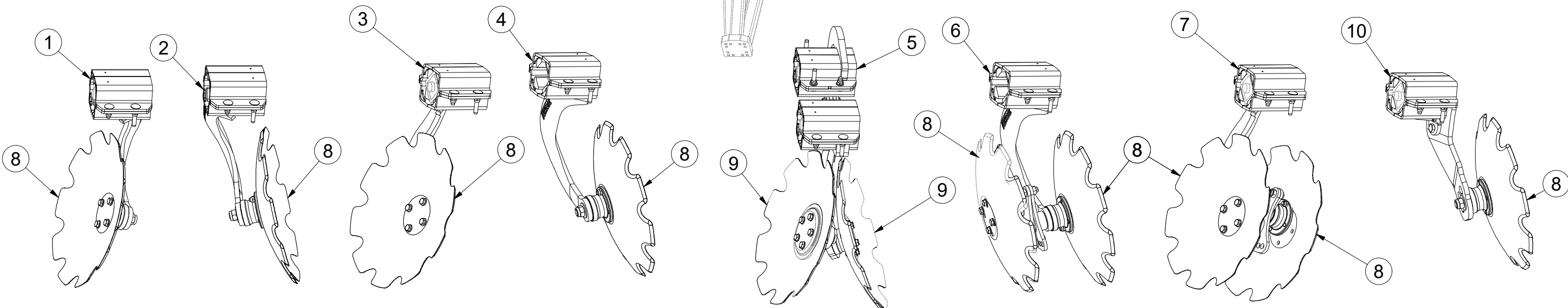
GB DISC SET
 RU КОМПЛЕКТ ДИСКОВ
 PL ZESTAW TALERZY



VZ00006034



| Pos. | Part Number | Pcs. | Pos. | Part Number | Pcs. |
|------|-------------|------|------|-------------|------|
| 1 | 3012531 | 27 | 6 | 3012349 | 1 |
| 2 | 3012530 | 21 | 7 | 3012348 | 1 |
| 3 | 3012533 | 20 | 8 | 3007653 | 99 |
| 4 | 3012532 | 26 | 9 | VZ00006031 | 2 |
| 5 | 3012336 | 1 | 10 | 3012346 | 1 |

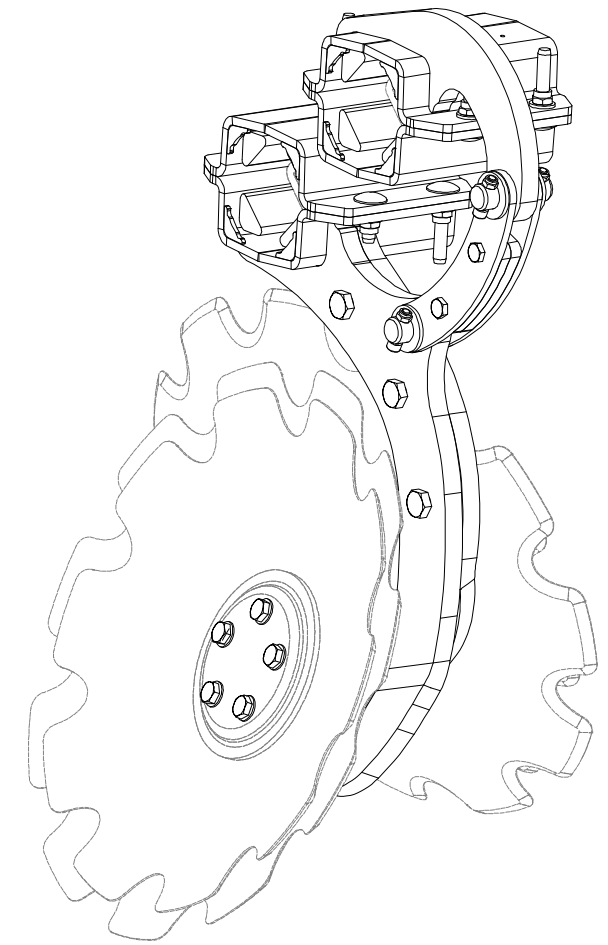
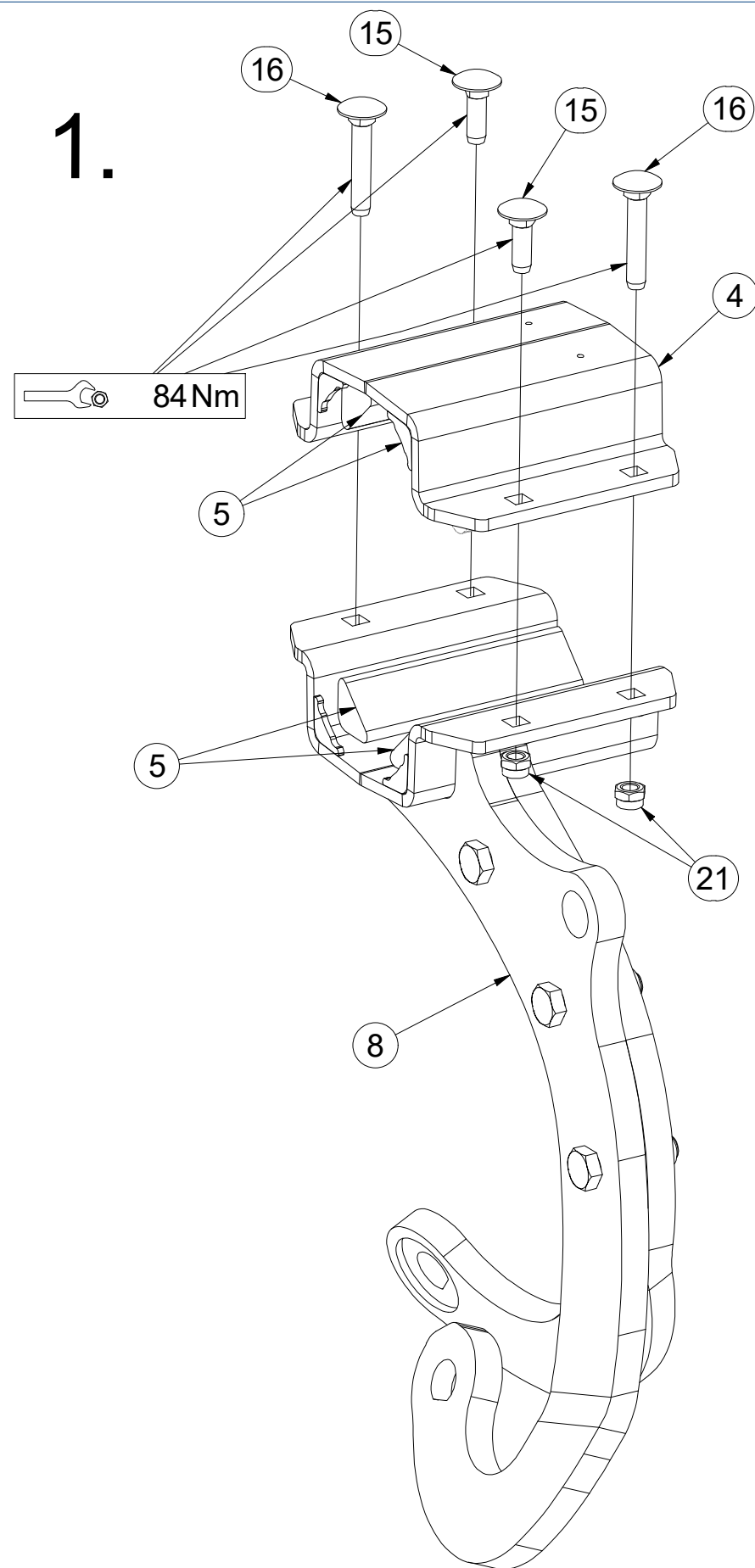


CZ DVOJDISK
 D DUPLEXSCHEIBE
 F DISQUE DOUBLE

GB TWIN DISC
 RU ДВОЙНОЙ ДИСК
 PL TALERZ PODWÓJNY



3012336



| Pos. | Part Number | Pcs. |
|------|-------------|------|
| 4 | 9005693 | 2 |
| 5 | VZ00006303 | 8 |
| 8 | VZ00009493 | 1 |
| 15 | m12574 | 4 |
| 16 | m17684 | 4 |
| 21 | m12134 | 8 |

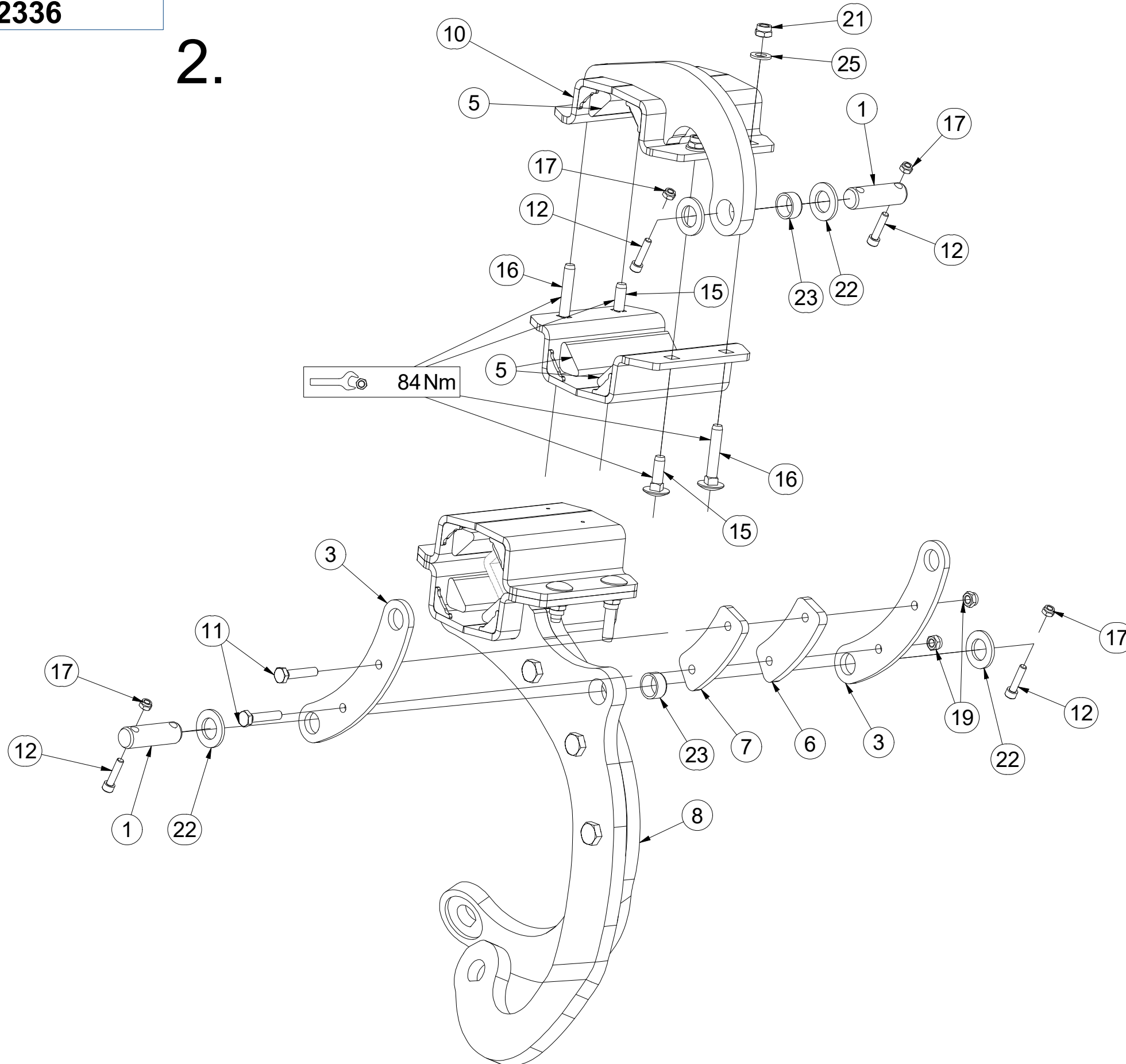
CZ DVOJDISK
 D DUPLEXSCHEIBE
 F DISQUE DOUBLE

GB TWIN DISC
 RU ДВОЙНОЙ ДИСК
 PL TALERZ PODWÓJNY



3012336

2.



| Pos. | Part Number | Pcs. |
|------|-------------|------|
| 1 | 4007638 | 2 |
| 3 | 4024861 | 2 |
| 4 | 9005693 | 2 |
| 5 | VZ00006303 | 8 |
| 6 | VZ00009408 | 1 |
| 7 | VZ00009409 | 1 |
| 8 | VZ00009493 | 1 |
| 10 | VZ00010454 | 1 |
| 11 | m01114 | 2 |
| 12 | m09464 | 4 |
| 15 | m12574 | 4 |
| 16 | m17684 | 4 |
| 17 | m04503 | 4 |
| 19 | m11530 | 2 |
| 21 | m12134 | 8 |
| 22 | m14028 | 4 |
| 23 | m14980 | 2 |
| 25 | m17741 | 8 |

ⒸZ DVOJDISK

Ⓓ DUPLEXSCHEIBE

Ⓕ DISQUE DOUBLE

ⒸB TWIN DISC

ⒸU ДВОЙНОЙ ДИСК

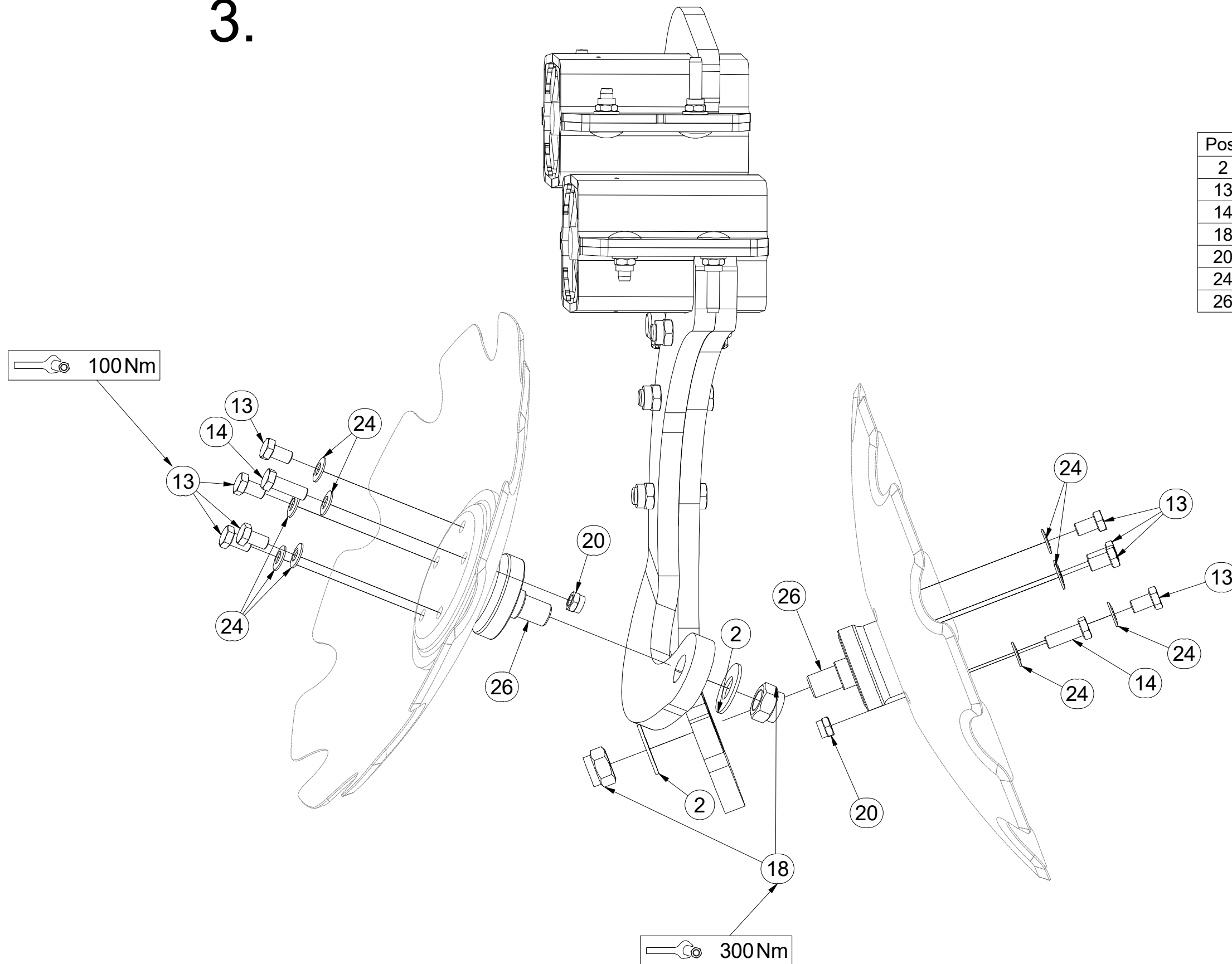
ⒸL TALERZ PODWÓJNY



3012336

3.

| Pos. | Part Number | Pcs. |
|------|-------------|------|
| 2 | 4007853 | 2 |
| 13 | m11309 | 8 |
| 14 | m11559 | 2 |
| 18 | m11313 | 2 |
| 20 | m11560 | 2 |
| 24 | m17545 | 10 |
| 26 | m18850 | 2 |

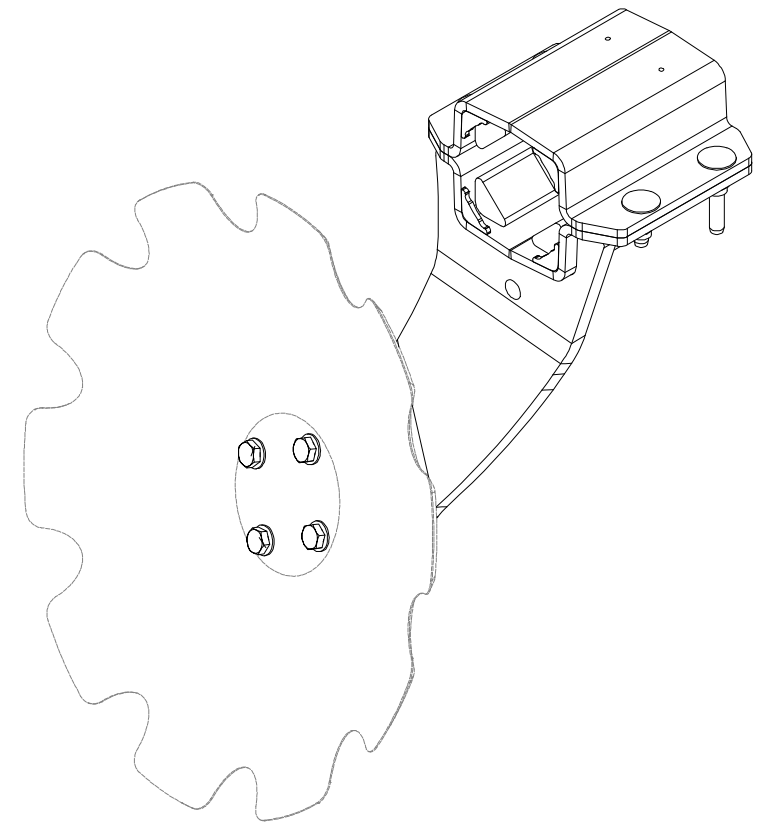
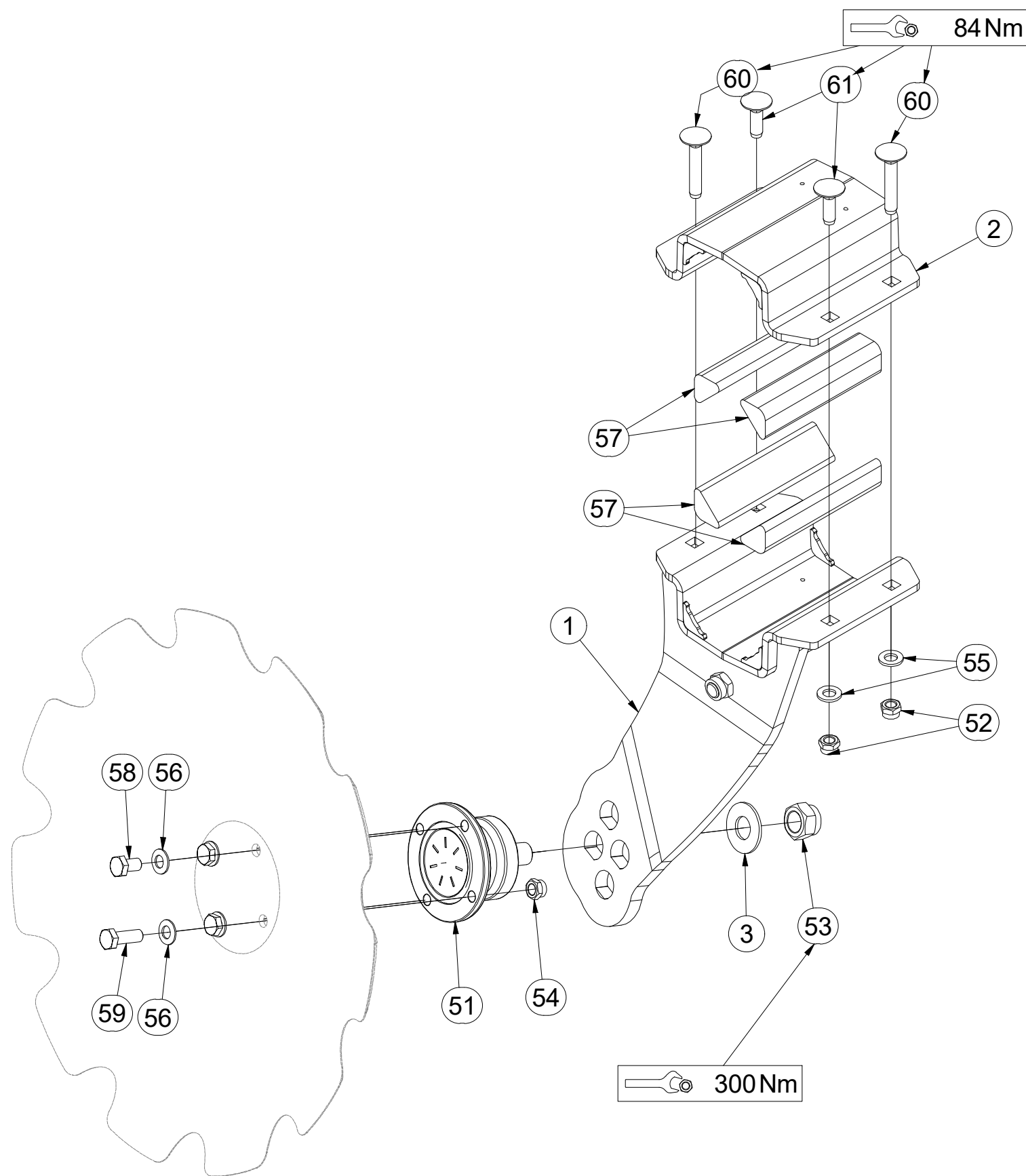


CZ ŘEZACÍ DISK
 D TRENNSCHEIBE
 F DISQUE COUPE

GB CUTTING DISC
 RU ОТРЕЗНОЙ ДИСК
 PL TALERZ TNAÇA



3012346



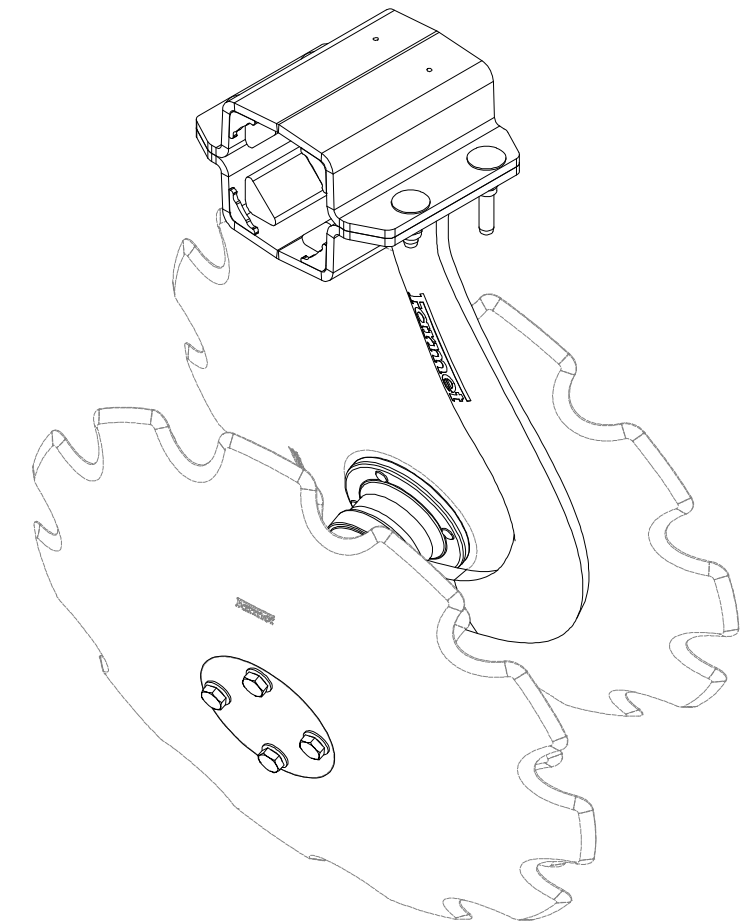
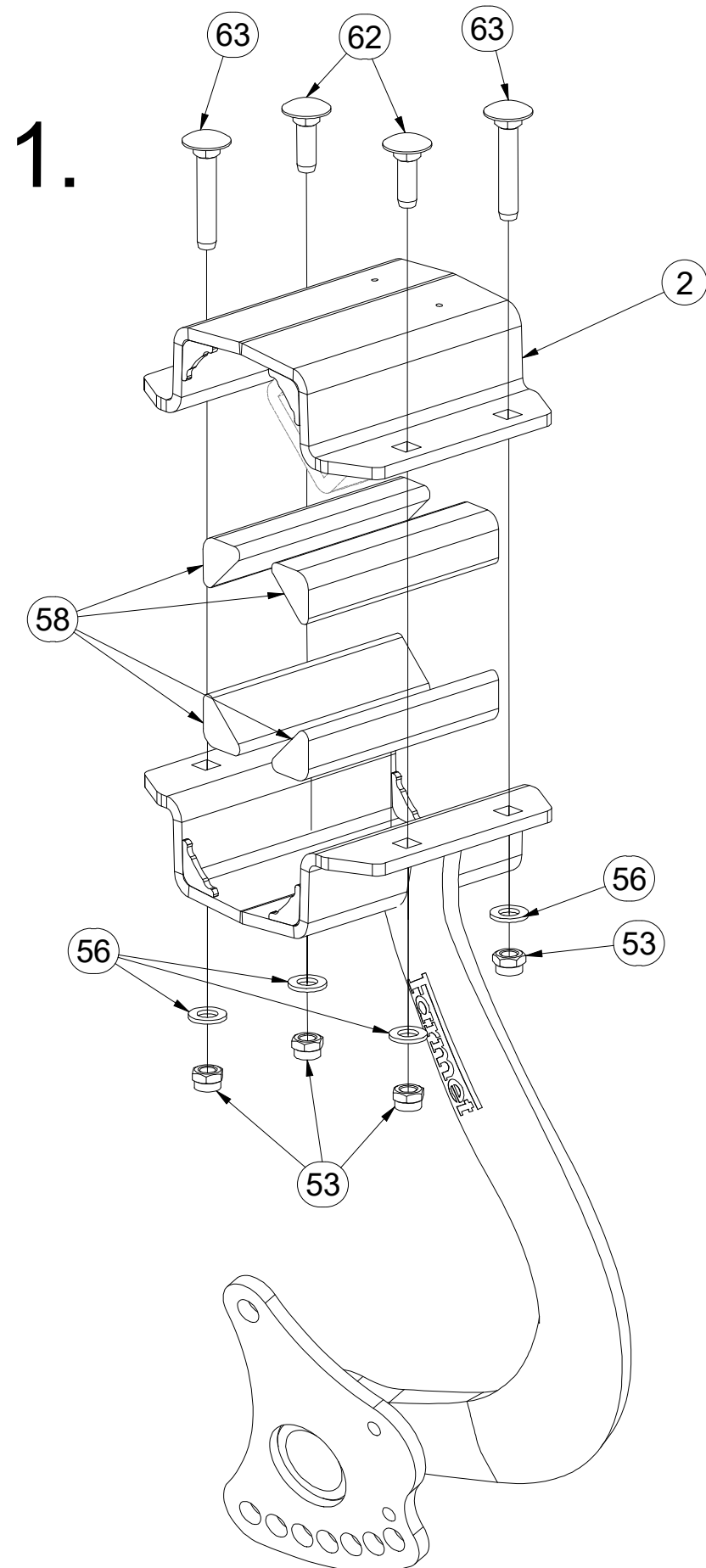
| Pos. | Part Number | Pcs. | Pos. | Part Number | Pcs. |
|------|-------------|------|------|-------------|------|
| 1 | 3012260 | 1 | 55 | m17741 | 4 |
| 2 | 9005693 | 1 | 56 | m17545 | 4 |
| 3 | 4007853 | 1 | 57 | VZ00006303 | 4 |
| 51 | m11308 | 1 | 58 | m11309 | 3 |
| 52 | m12134 | 4 | 59 | m11559 | 1 |
| 53 | m11313 | 1 | 60 | m17684 | 2 |
| 54 | m11560 | 1 | 61 | m12574 | 2 |

(CZ) DISK KRAJNÍ LEVÝ
 (D) RANDSCHEIBE, LINKE
 (F) DISQUE LIMITE GAUCHE

(GB) OUTSIDE DISC LEFT
 (RU) ДИСК КРАЙНИЙ ЛЕВЫЙ
 (PL) TALERZ SKRAJNY LEWY



3012348



| Pos. | Part Number | Pcs. |
|------|-------------|------|
| 1 | 3012350 | 1 |
| 2 | 9005693 | 1 |
| 53 | m12134 | 4 |
| 56 | m17741 | 4 |
| 58 | VZ00006303 | 4 |
| 62 | m12574 | 2 |
| 63 | m17684 | 2 |

(CZ) DISK KRAJNÍ LEVÝ
 (D) RANDSCHEIBE, LINKE
 (F) DISQUE LIMITE GAUCHE

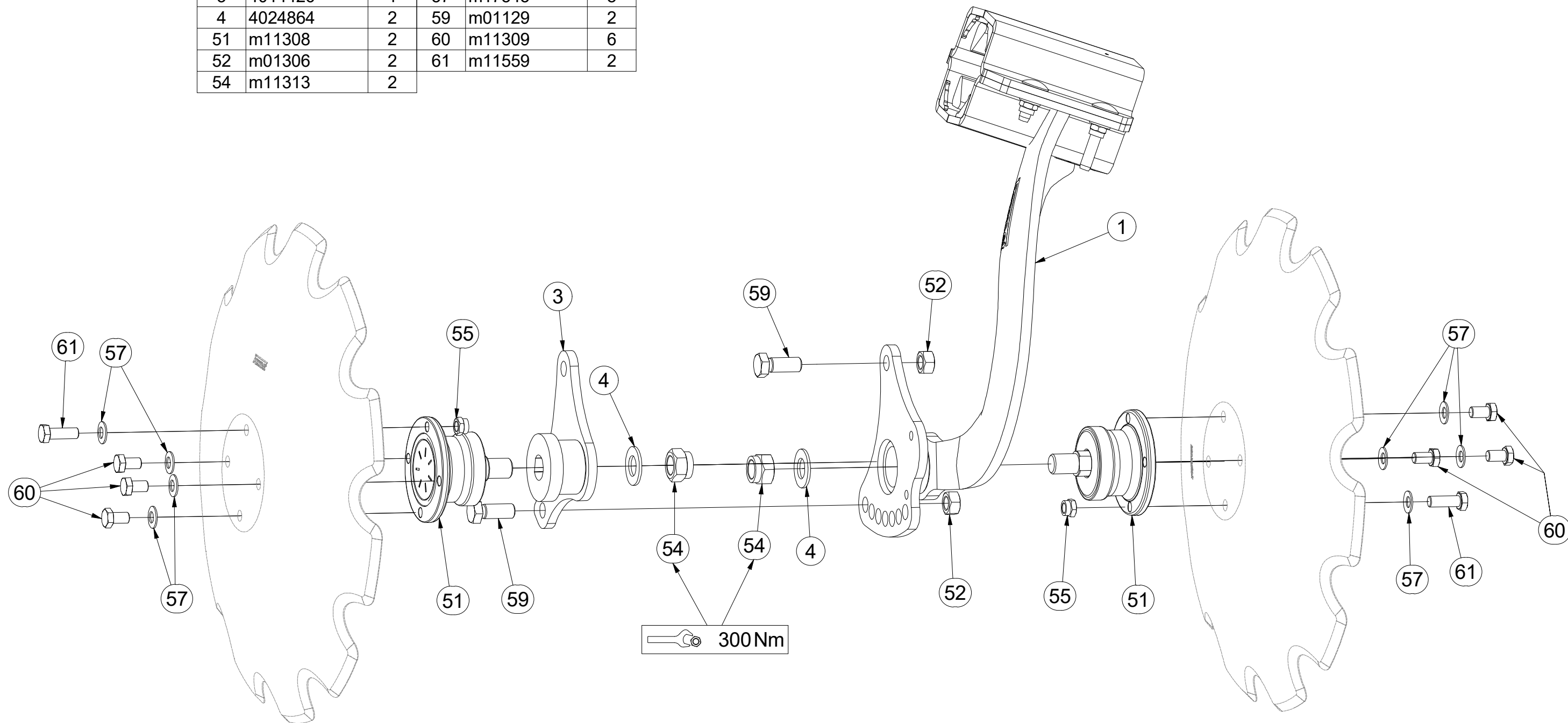
(GB) OUTSIDE DISC LEFT
 (RU) ДИСК КРАЙНИЙ ЛЕВЫЙ
 (PL) TALERZ SKRAJNY LEWY



3012348

2.

| Pos. | Part Number | Pcs. | Pos. | Part Number | Pcs. |
|------|-------------|------|------|-------------|------|
| 1 | 3012350 | 1 | 55 | m11560 | 2 |
| 3 | 4014426 | 1 | 57 | m17545 | 8 |
| 4 | 4024864 | 2 | 59 | m01129 | 2 |
| 51 | m11308 | 2 | 60 | m11309 | 6 |
| 52 | m01306 | 2 | 61 | m11559 | 2 |
| 54 | m11313 | 2 | | | |

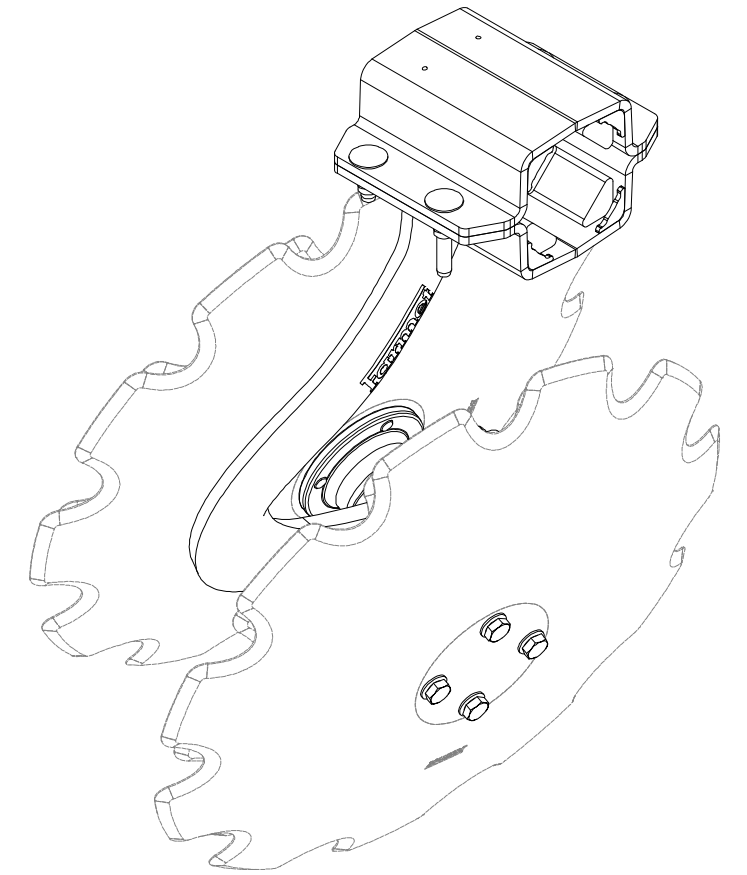
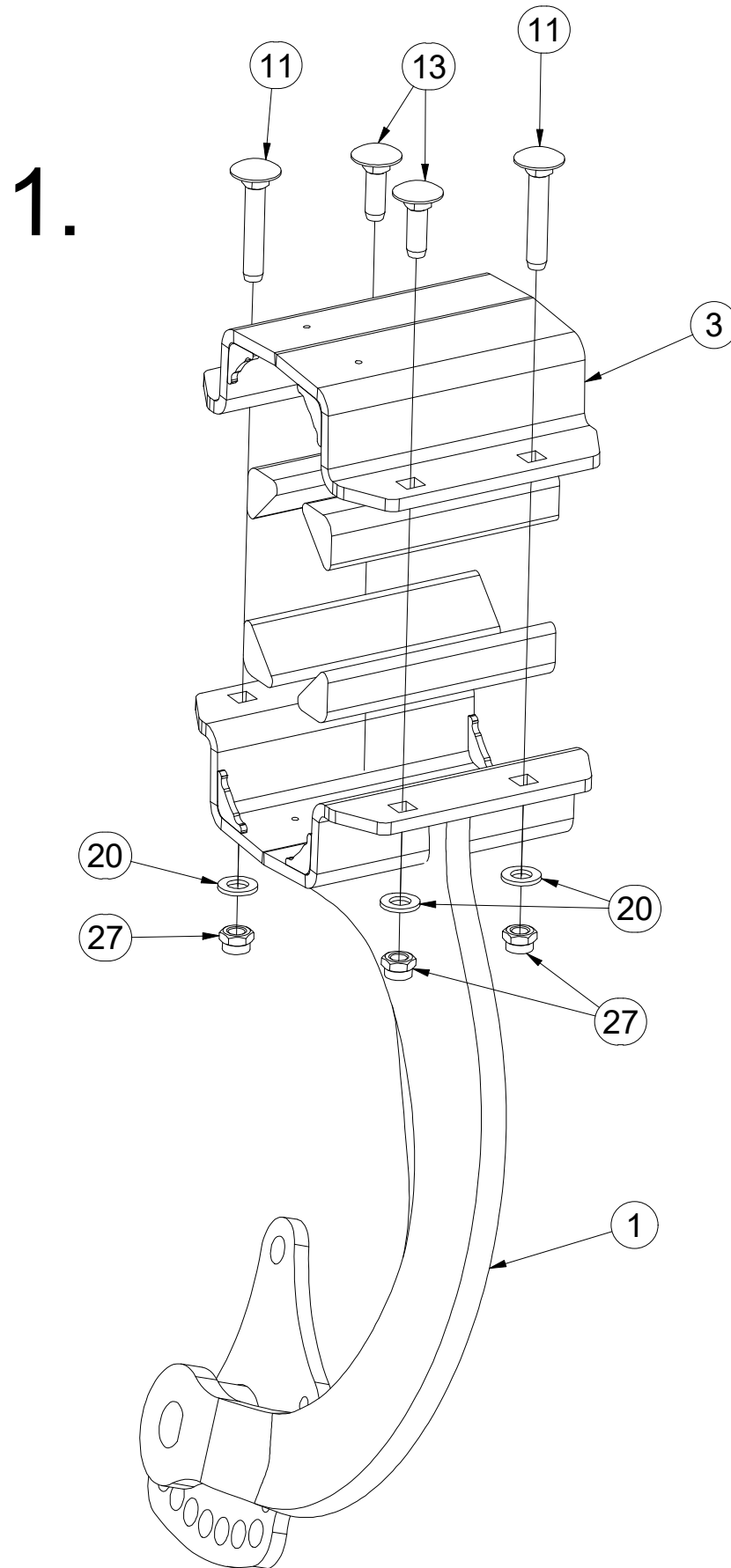


(CZ) DISK KRAJNÍ PRAVÝ
 (D) RANDSCHEIBE, RECHTE
 (F) DISQUE LIMITE DROITE

(GB) OUTSIDE DISC RIGHT
 (RU) ДИСК КРАЙНИЙ ПРАВЫЙ
 (PL) TALERZ SKRAJNY PRAWY



3012349



| Pos. | Part Number | Pcs. |
|------|-------------|------|
| 1 | 3012351 | 1 |
| 3 | 9005693 | 1 |
| 11 | m17684 | 2 |
| 13 | m12574 | 2 |
| 20 | m17741 | 4 |
| 27 | m12134 | 4 |

- ⒸZ DISK KRAJNÍ PRAVÝ
- Ⓓ RANDSCHEIBE, RECHTE
- Ⓕ DISQUE LIMITE DROITE

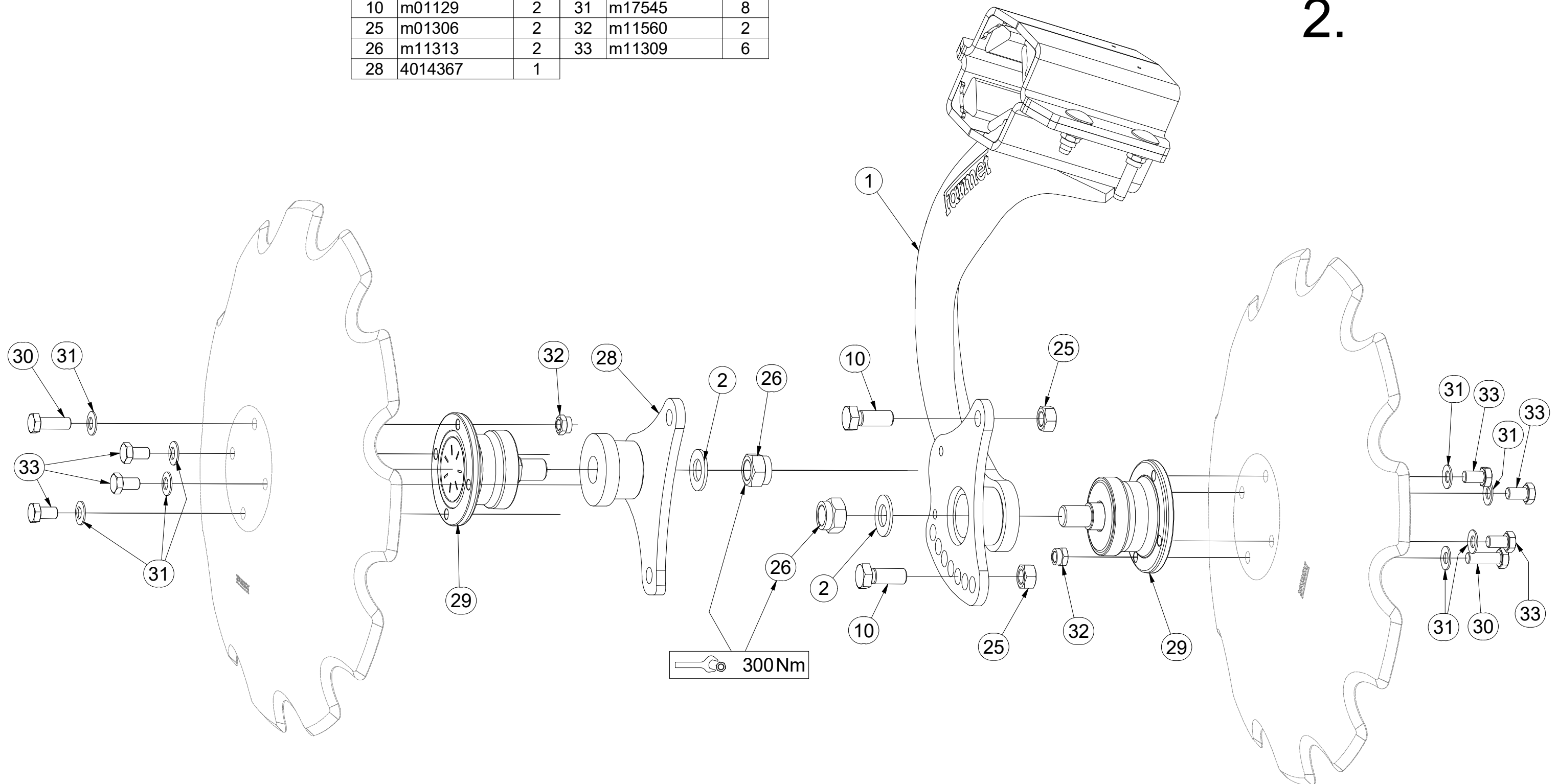
- ⒼB OUTSIDE DISC RIGHT
- Ⓔ RU ДИСК КРАЙНИЙ ПРАВЫЙ
- Ⓗ PL TALERZ SKRAJNY PRAWY



3012349

| Pos. | Part Number | Pcs. | Pos. | Part Number | Pcs. |
|------|-------------|------|------|-------------|------|
| 1 | 3012351 | 1 | 29 | m11308 | 2 |
| 2 | 4024864 | 2 | 30 | m11559 | 2 |
| 10 | m01129 | 2 | 31 | m17545 | 8 |
| 25 | m01306 | 2 | 32 | m11560 | 2 |
| 26 | m11313 | 2 | 33 | m11309 | 6 |
| 28 | 4014367 | 1 | | | |

2.

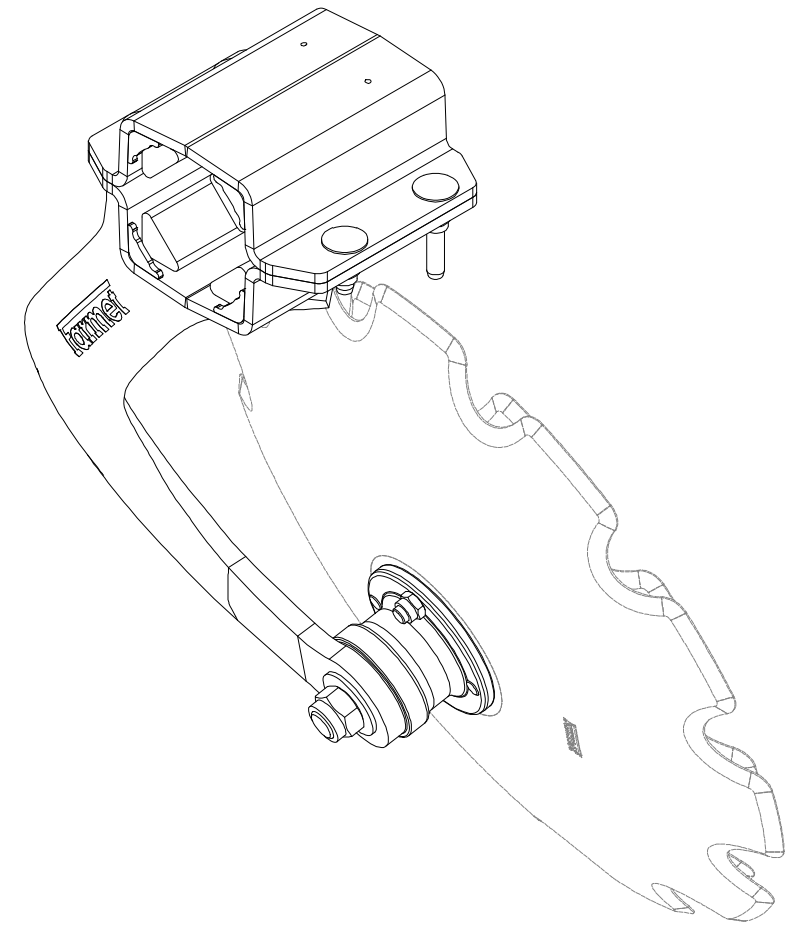
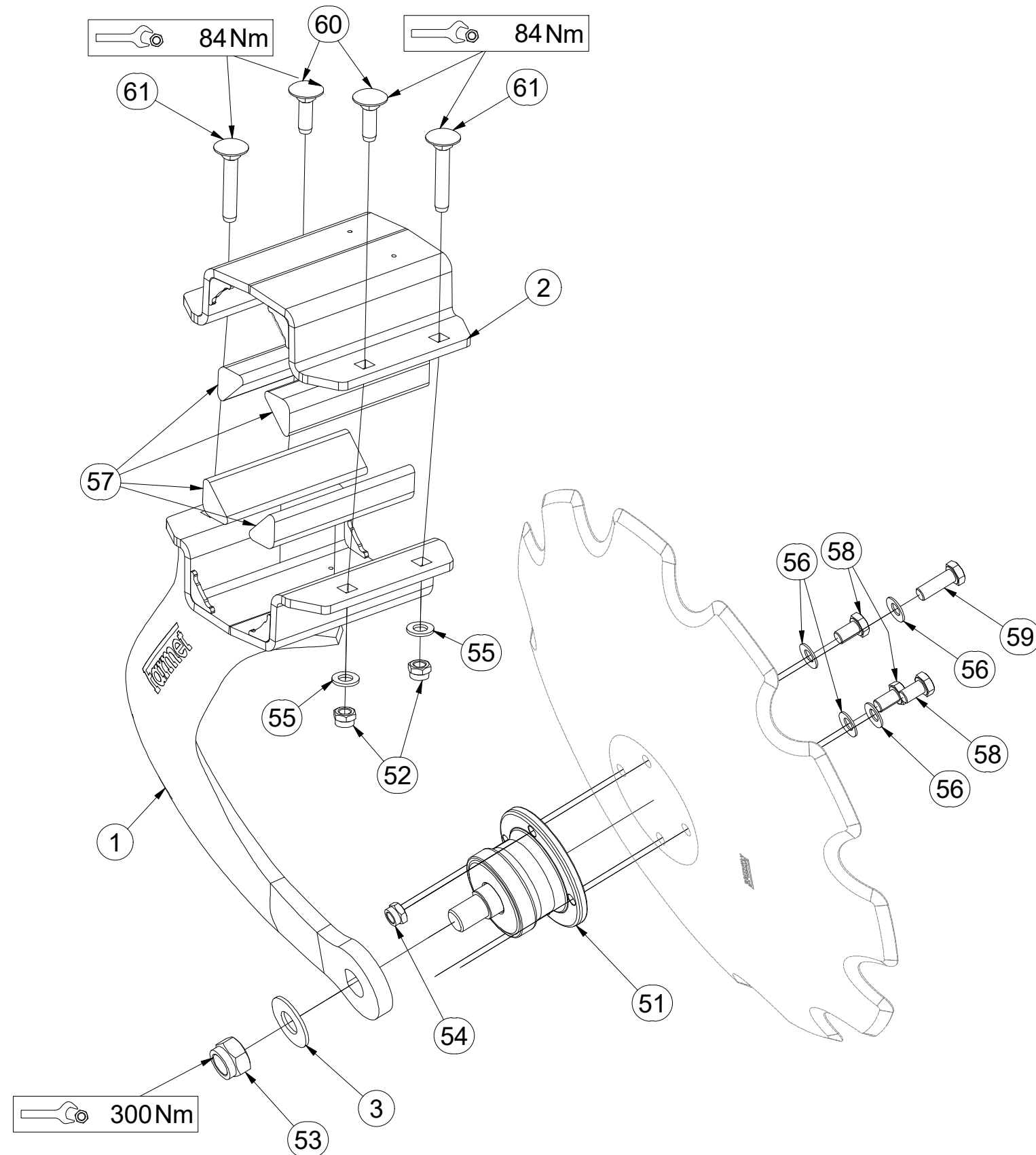


CZ PŘEDNÍ DISK - LEVÝ
 D RANSCHEIBE, LINKE
 F DISQUE AVANT - GAUCHE

GB FRONT DISC - LEFT
 RU ДИСК ПЕРЕДНИЙ - ЛЕВЫЙ
 PL TALERZ PRZEDNI - LEWY



3012530



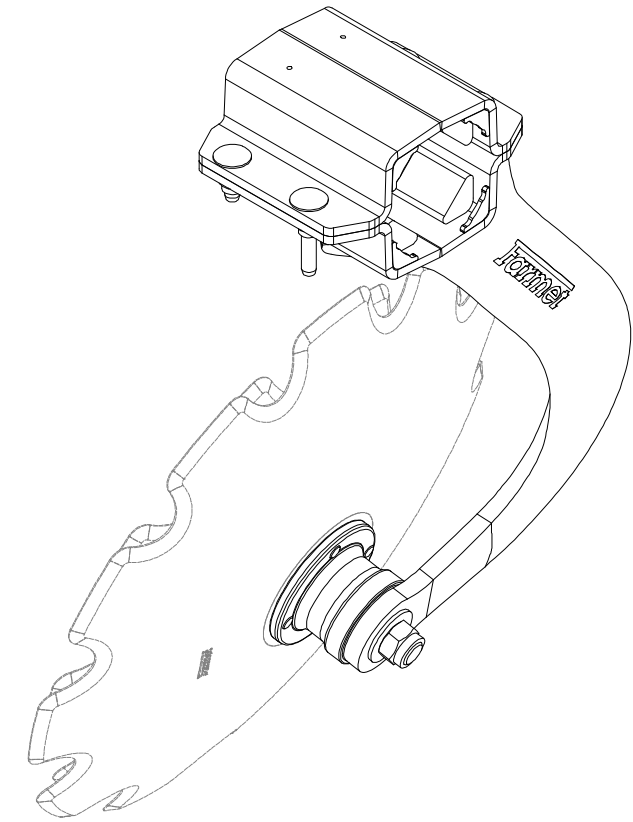
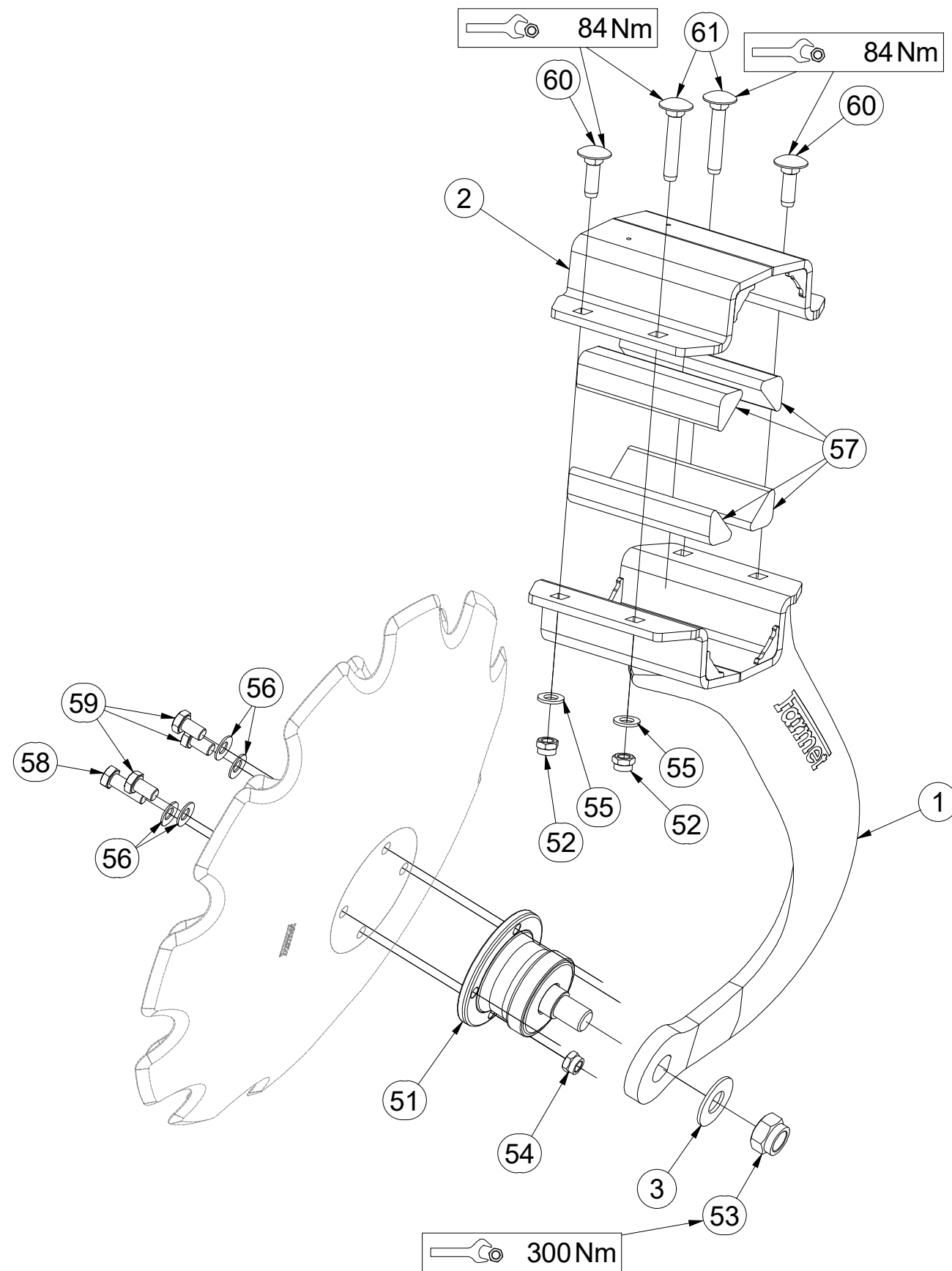
| Pos. | Part Number | Pcs. | Pos. | Part Number | Pcs. |
|------|-------------|------|------|-------------|------|
| 1 | 3012534 | 1 | 55 | m17741 | 4 |
| 2 | 9005693 | 1 | 56 | m17545 | 4 |
| 3 | 4007853 | 1 | 57 | VZ00006303 | 4 |
| 51 | m11308 | 1 | 58 | m11309 | 3 |
| 52 | m12134 | 4 | 59 | m11559 | 1 |
| 53 | m11313 | 1 | 60 | m12574 | 2 |
| 54 | m11560 | 1 | 61 | m17684 | 2 |

CZ PŘEDNÍ DISK - PRAVÝ
 D RANDSCHHEIBE, RECHTE
 F DISQUE AVANT - DROITE

GB FRONT DISC - RIGHT
 RU ДИСК ПЕРЕДНИЙ - ПРАВЫЙ
 PL TALERZ PRZEDNI - PRAWY



3012531



| Pos. | Part Number | Pcs. | Pos. | Part Number | Pcs. |
|------|-------------|------|------|-------------|------|
| 1 | 3012535 | 1 | 55 | m17741 | 4 |
| 2 | 9005693 | 1 | 56 | m17545 | 4 |
| 3 | 4007853 | 1 | 57 | VZ00006303 | 4 |
| 51 | m11308 | 1 | 58 | m11559 | 1 |
| 52 | m12134 | 4 | 59 | m11309 | 3 |
| 53 | m11313 | 1 | 60 | m12574 | 2 |
| 54 | m11560 | 1 | 61 | m17684 | 2 |

Ⓒ ZADNÍ DISK - LEVÝ

Ⓓ RANDSCHEIBE, LINKE

Ⓕ DISQUE ARRIÈRE - GAUCHE

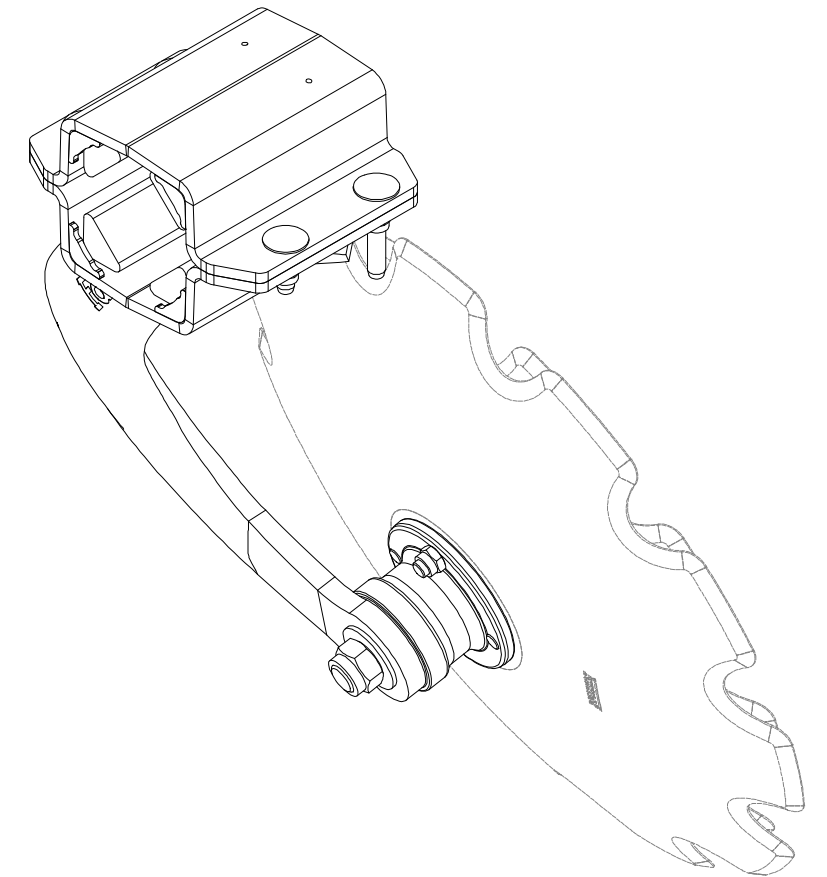
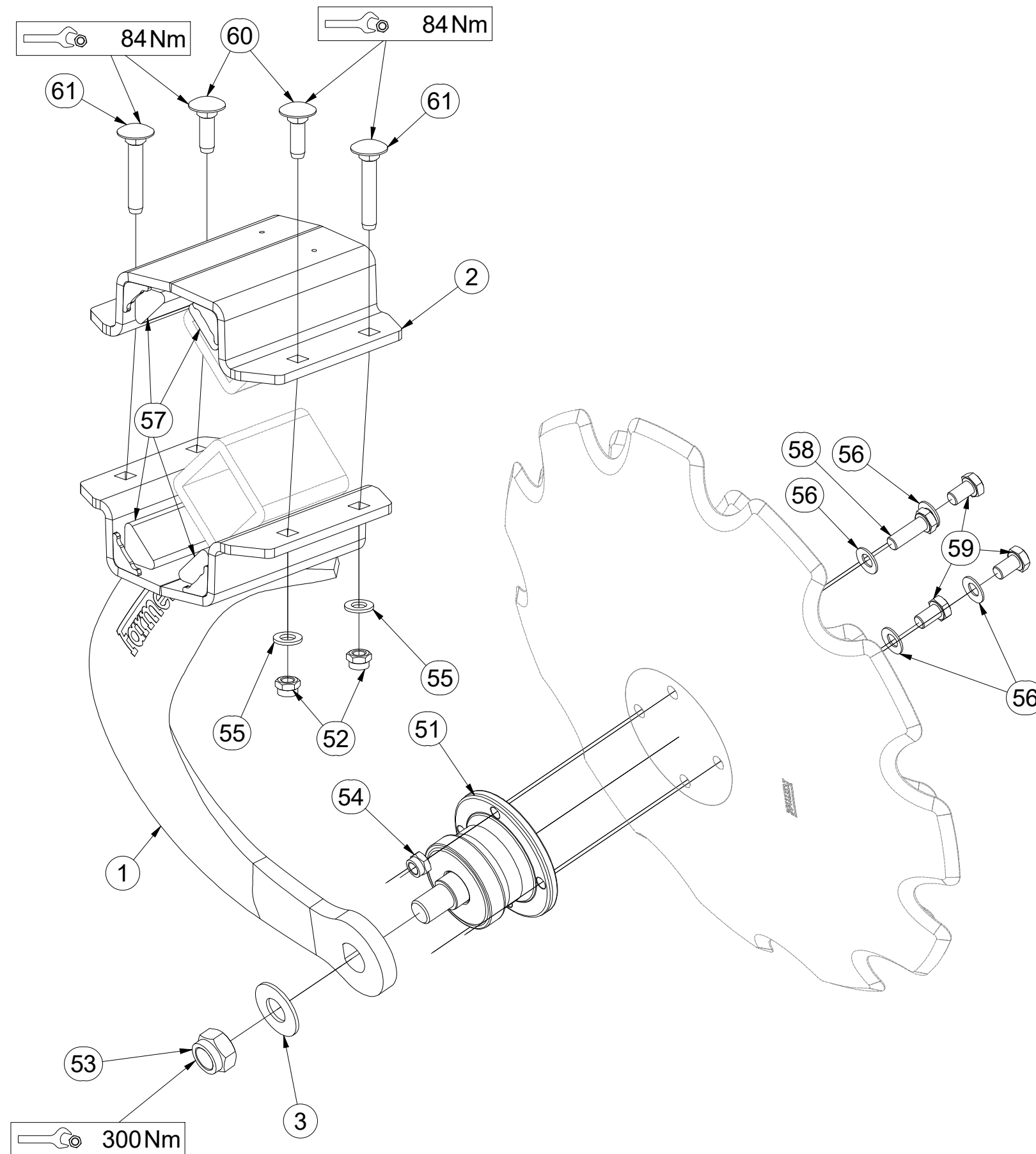
Ⓖ REAR DISC - LEFT

Ⓡ ДИСК ЗАДНИЙ - КРАЙНИЙ

Ⓟ TALERZ TYLNY - LEWY



3012532



| Pos. | Part Number | Pcs. |
|------|-------------|------|
| 1 | 3012536 | 1 |
| 2 | 9005693 | 1 |
| 3 | 4007853 | 1 |
| 51 | m11308 | 1 |
| 52 | m12134 | 4 |
| 53 | m11313 | 1 |
| 54 | m11560 | 1 |
| 55 | m17741 | 4 |
| 56 | m17545 | 4 |
| 57 | VZ00006303 | 4 |
| 58 | m11559 | 1 |
| 59 | m11309 | 3 |
| 60 | m12574 | 2 |
| 61 | m17684 | 2 |

Ⓒ ZADNÍ DISK - PRAVÝ

Ⓓ RANDSCHEIBE, RECHTE

Ⓕ DISQUE ARRIÈRE - DROITE

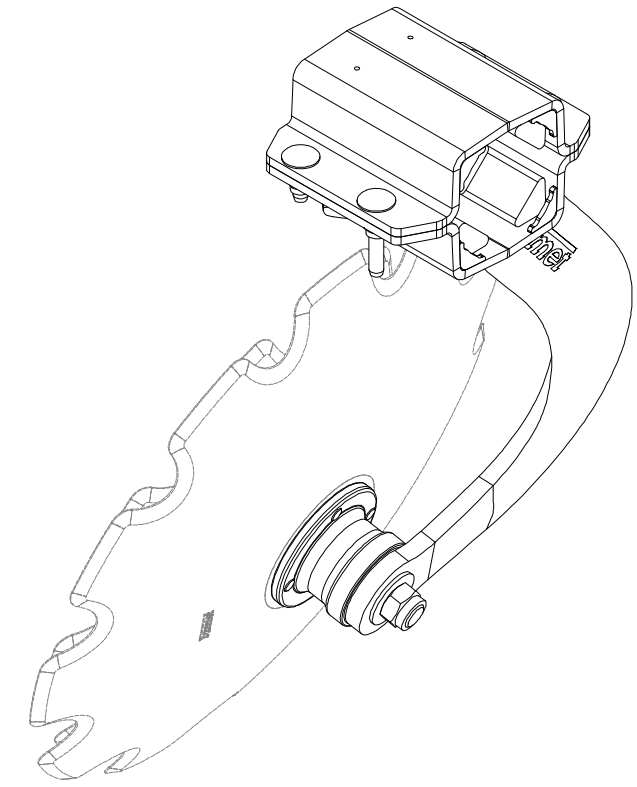
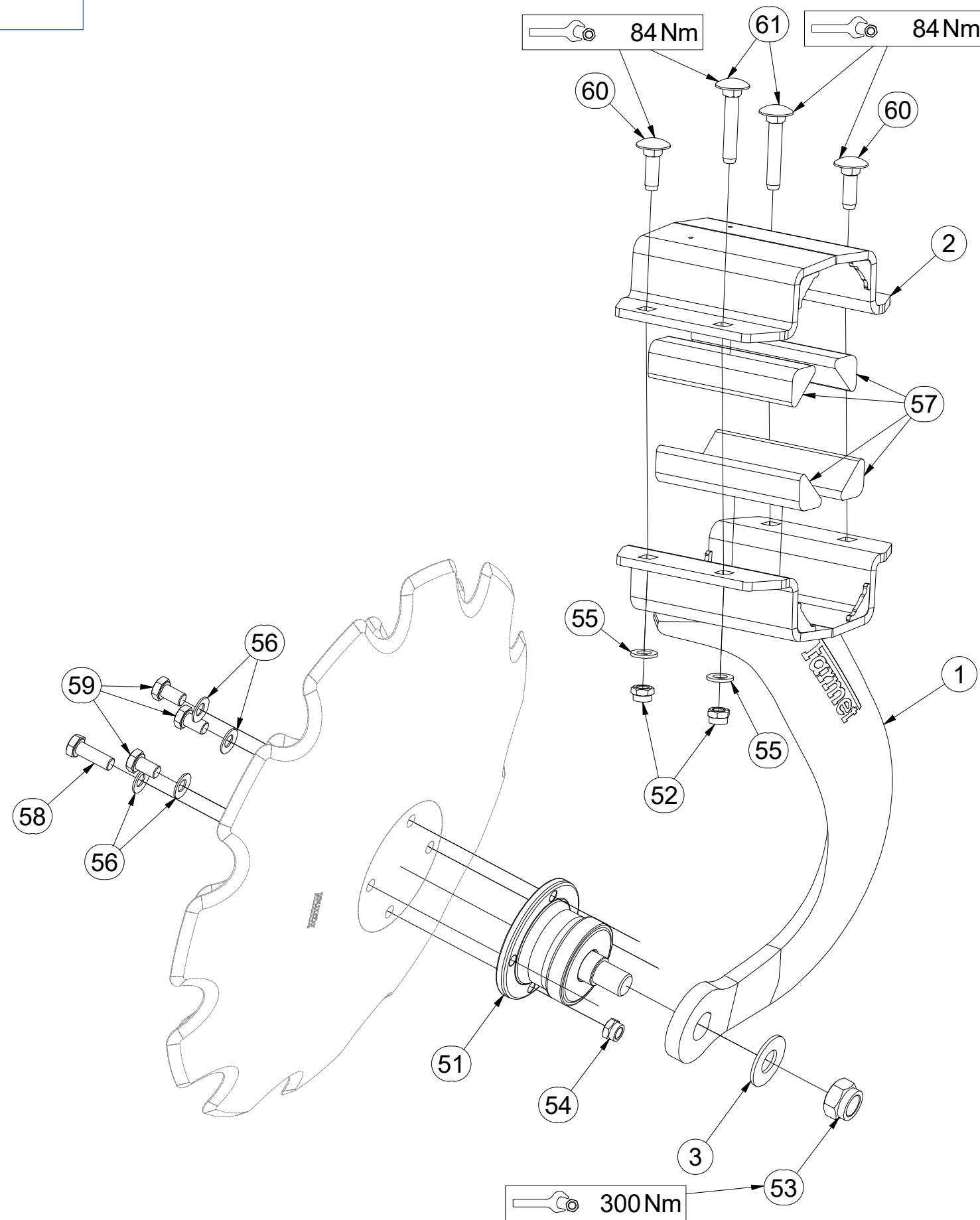
Ⓖ REAR DISC - RIGHT

Ⓡ ДИСК ЗАДНИЙ - ПРАВЫЙ

Ⓣ TALERZ TYLNY - PRAWY



3012533



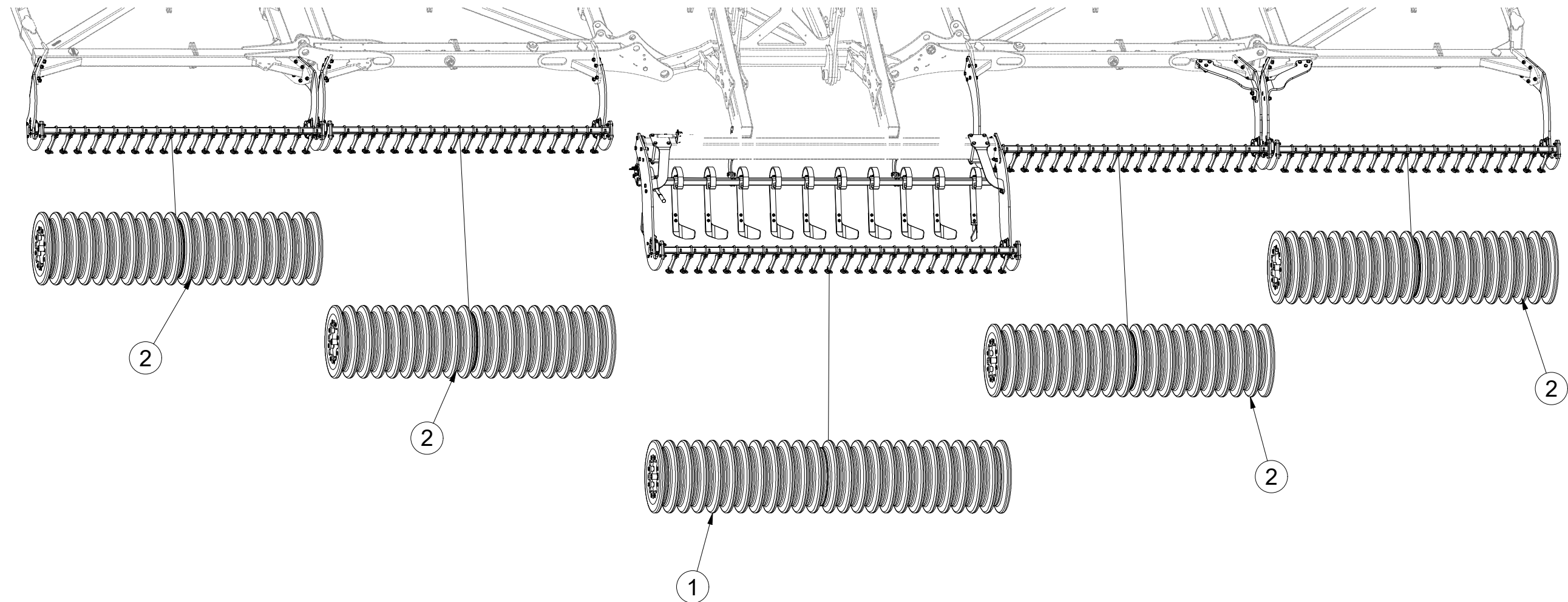
| Pos. | Part Number | Pcs. | Pos. | Part Number | Pcs. |
|------|-------------|------|------|-------------|------|
| 1 | 3012537 | 1 | 55 | m17741 | 4 |
| 2 | 9005693 | 1 | 56 | m17545 | 4 |
| 3 | 4007853 | 1 | 57 | VZ00006303 | 4 |
| 51 | m11308 | 1 | 58 | m11559 | 1 |
| 52 | m12134 | 4 | 59 | m11309 | 3 |
| 53 | m11313 | 1 | 60 | m12574 | 2 |
| 54 | m11560 | 1 | 61 | m17684 | 2 |

- Ⓒ SADA ZADNÍCH VÁLCŮ
- Ⓓ SATZ HINTERE WALZEN
- Ⓕ KIT DE ROULEAUX ARRIÈRE

- Ⓖ SET OF REAR ROLLERS
- Ⓡ КОМПЛЕКТ ЗАДНИХ КАТКОВ
- Ⓟ ZESTAW TYLNYCH WAŁÓW



VZ00014230



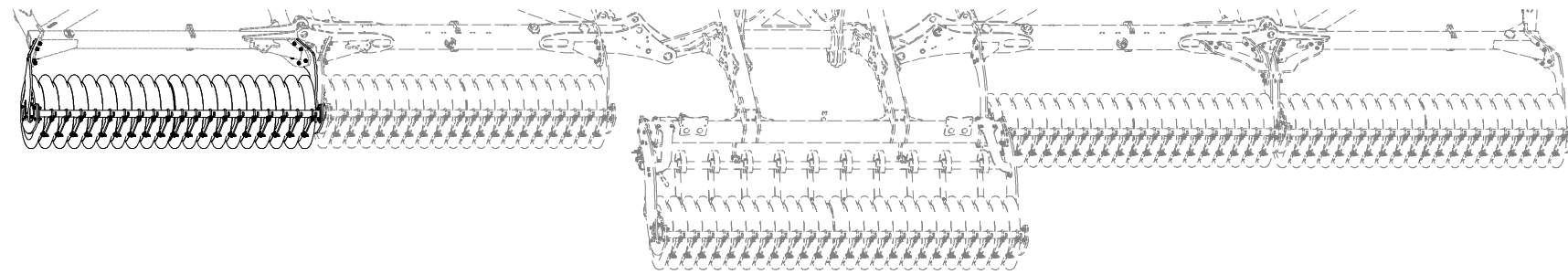
| Pos. | Part Number | Pcs. |
|------|-------------|------|
| 1 | VZ00014063 | 1 |
| 2 | VZ00014053 | 4 |

- Ⓒ SADA ZADNÍCH VÁLCŮ
- Ⓓ SATZ HINTERE WALZEN
- Ⓕ KIT DE ROULEAUX ARRIÈRE

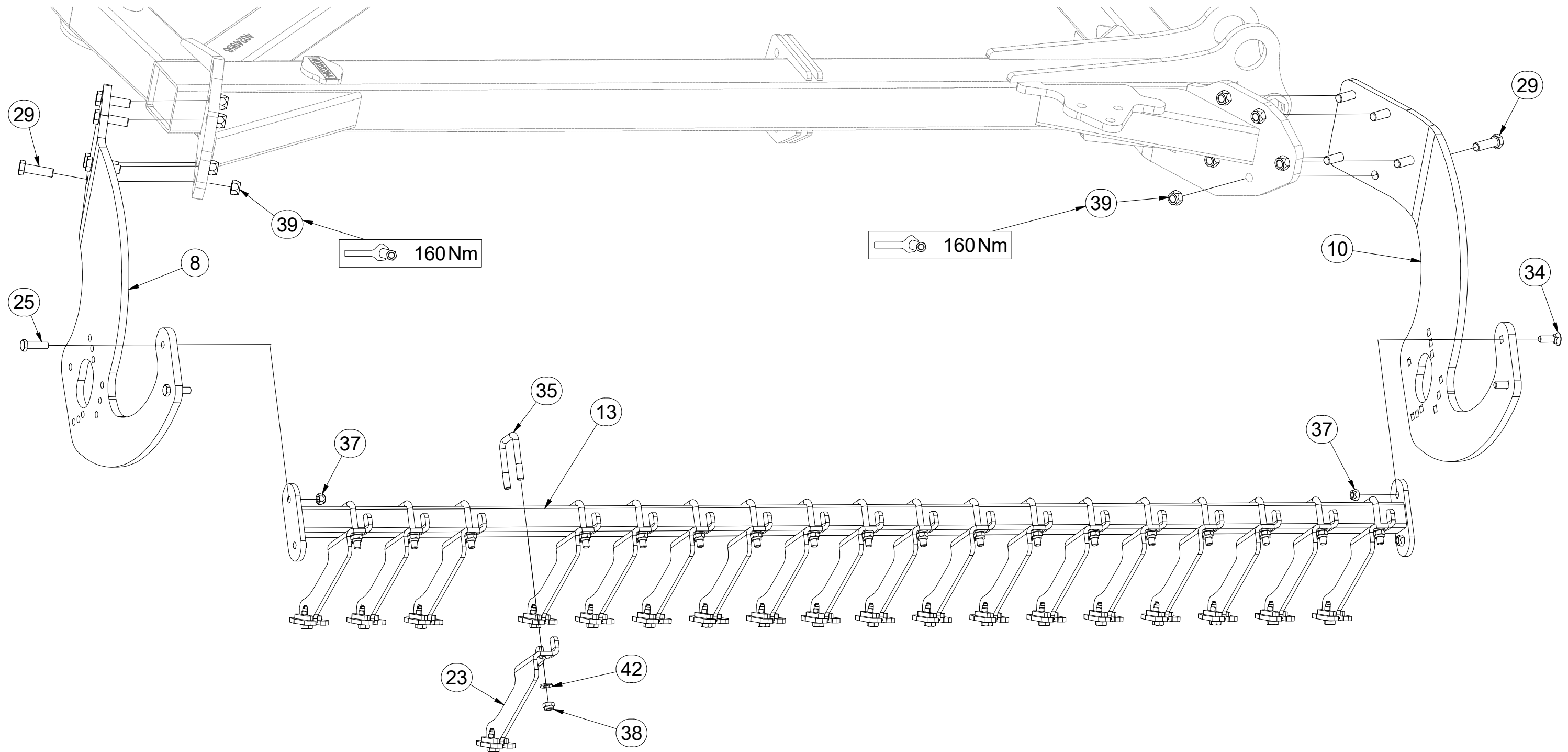
- Ⓖ SET OF REAR ROLLERS
- Ⓡ КОМПЛЕКТ ЗАДНИХ КАТКОВ
- Ⓟ ZESTAW TYLNYCH WAŁÓW



VZ00014230



| Pos. | Part Number | Pcs. | Pos. | Part Number | Pcs. |
|------|-------------|------|------|-------------|------|
| 8 | VZ00014092 | 1 | 34 | m14177 | 8 |
| 10 | VZ00014099 | 1 | 35 | m10295 | 100 |
| 13 | VZ00014101 | 4 | 37 | m12134 | 20 |
| 23 | 4007596 | 100 | 38 | m04301 | 200 |
| 25 | m14625 | 14 | 39 | m13846 | 72 |
| 29 | m10112 | 47 | 42 | m01214 | 200 |

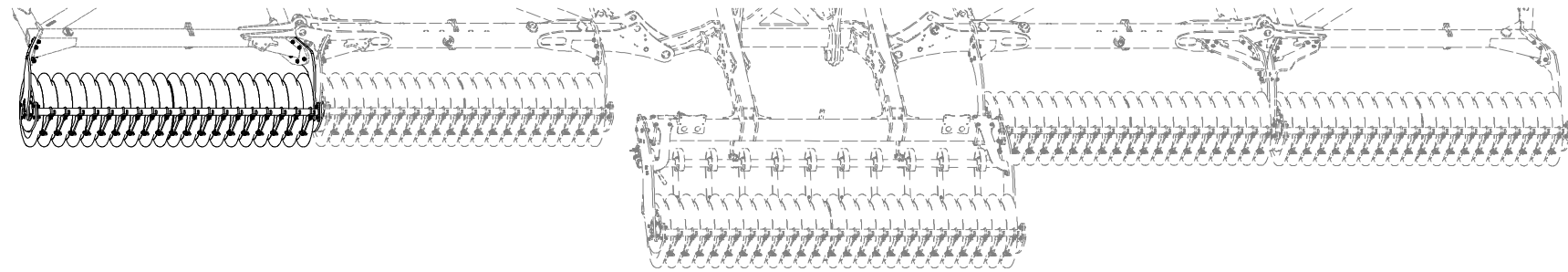


- Ⓒ SADA ZADNÍCH VÁLČŮ
- Ⓓ SATZ HINTERE WALZEN
- Ⓕ KIT DE ROULEAUX ARRIÈRE

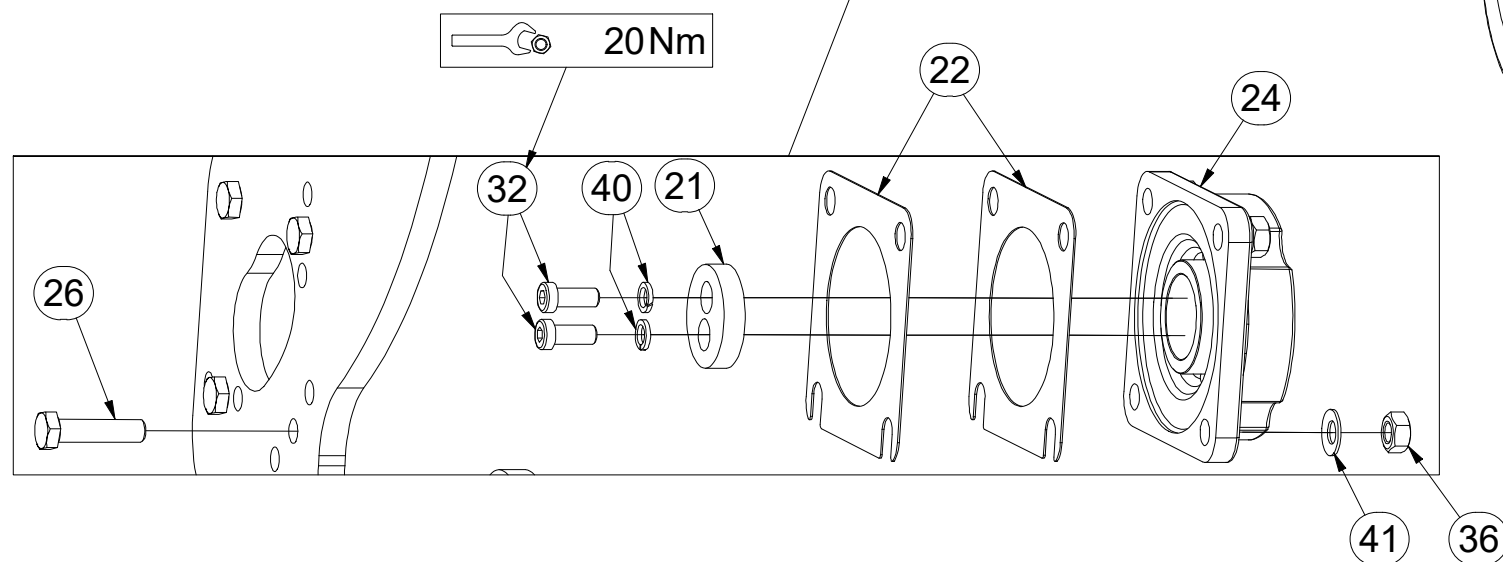
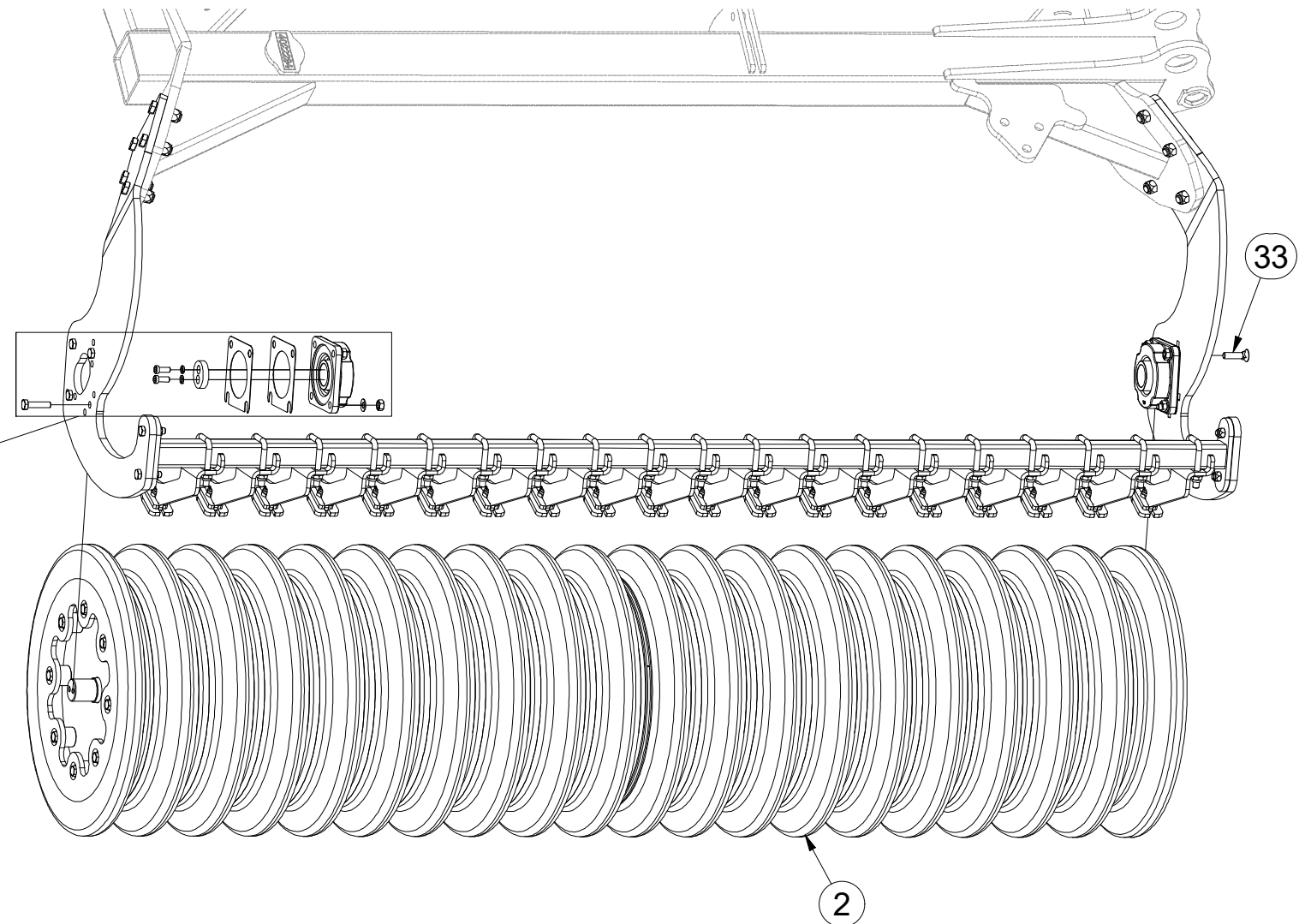
- Ⓖ SET OF REAR ROLLERS
- Ⓡ КОМПЛЕКТ ЗАДНИХ КАТКОВ
- Ⓟ ZESTAW TYLNYCH WAŁÓW



VZ00014230



| Pos. | Part Number | Pcs. | Pos. | Part Number | Pcs. |
|------|-------------|------|------|-------------|------|
| 2 | VZ00014053 | 4 | 32 | m17638 | 20 |
| 21 | 4017124 | 10 | 33 | m10440 | 16 |
| 22 | 4016002 | 20 | 36 | m10439 | 40 |
| 24 | m17627 | 10 | 40 | m01208 | 20 |
| 26 | m11579 | 22 | 41 | m17545 | 40 |



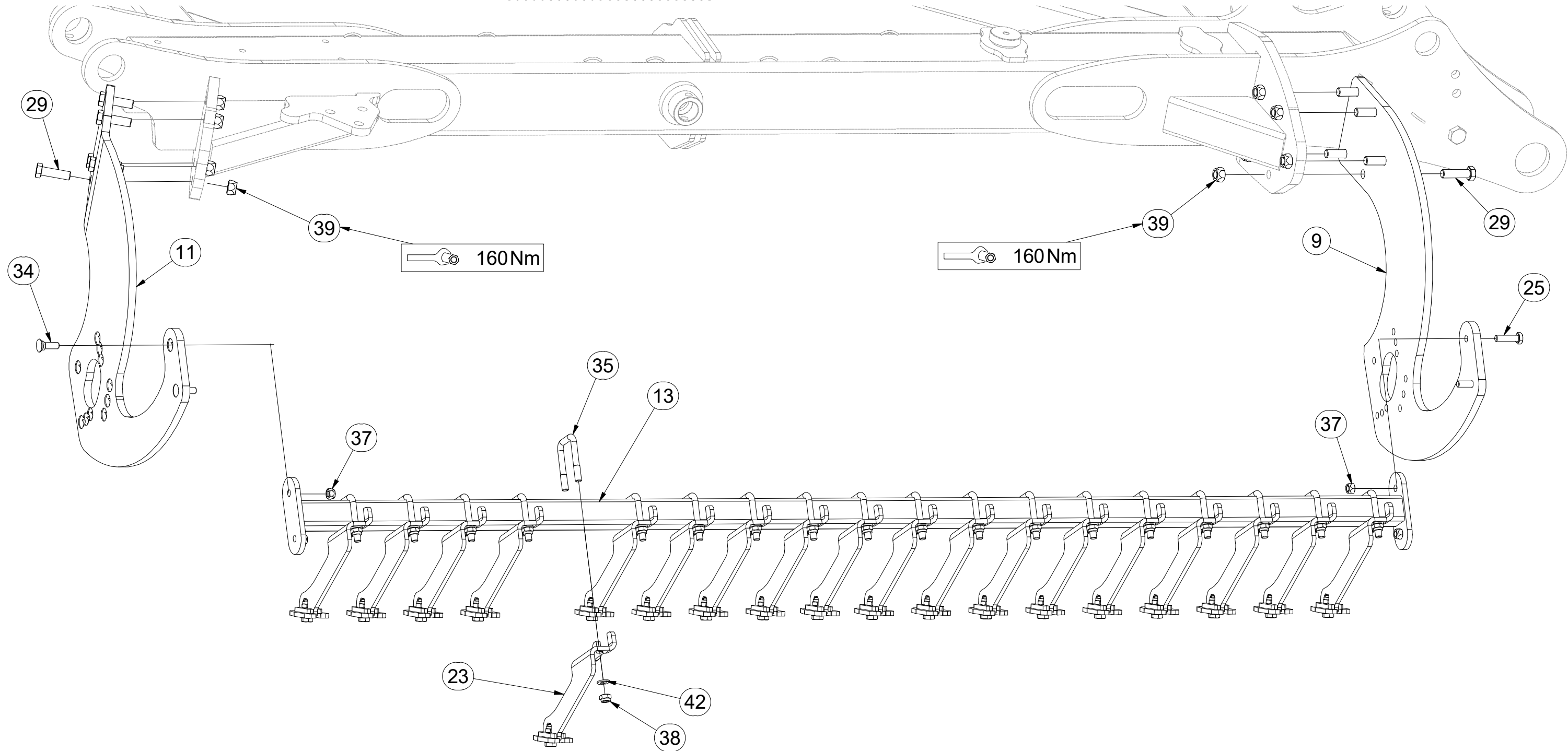
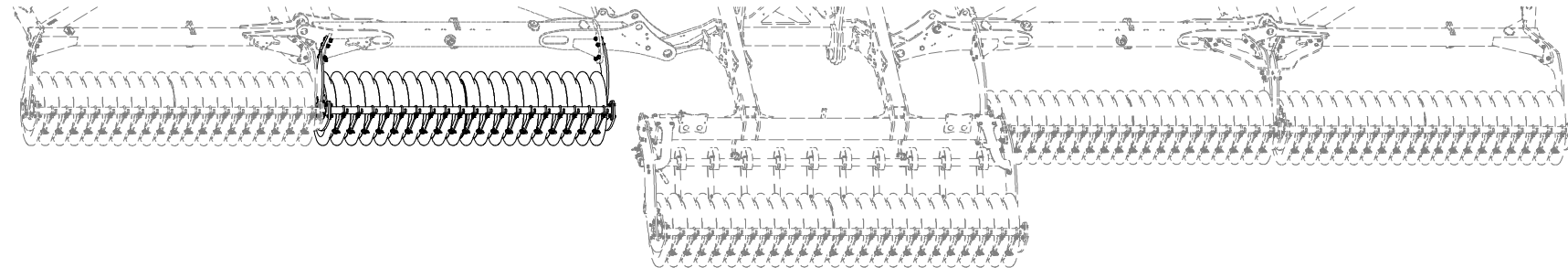
- Ⓒ SADA ZADNÍCH VÁLCŮ
- Ⓓ SATZ HINTERE WALZEN
- Ⓕ KIT DE ROULEAUX ARRIÈRE

- Ⓖ SET OF REAR ROLLERS
- Ⓡ КОМПЛЕКТ ЗАДНИХ КАТКОВ
- Ⓟ ZESTAW TYLNYCH WAŁÓW



VZ00014230

| Pos. | Part Number | Pcs. | Pos. | Part Number | Pcs. |
|------|-------------|------|------|-------------|------|
| 9 | VZ00014071 | 1 | 34 | m14177 | 8 |
| 11 | VZ00014094 | 1 | 35 | m10295 | 100 |
| 13 | VZ00014101 | 4 | 37 | m12134 | 20 |
| 23 | 4007596 | 100 | 38 | m04301 | 200 |
| 25 | m14625 | 14 | 39 | m13846 | 72 |
| 29 | m10112 | 47 | 42 | m01214 | 200 |

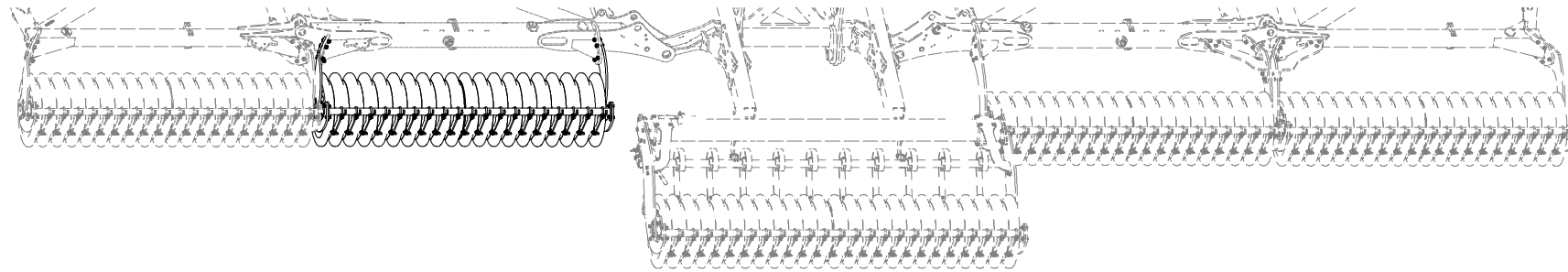


- Ⓒ SADA ZADNÍCH VÁLČŮ
- Ⓓ SATZ HINTERE WALZEN
- Ⓕ KIT DE ROULEAUX ARRIÈRE

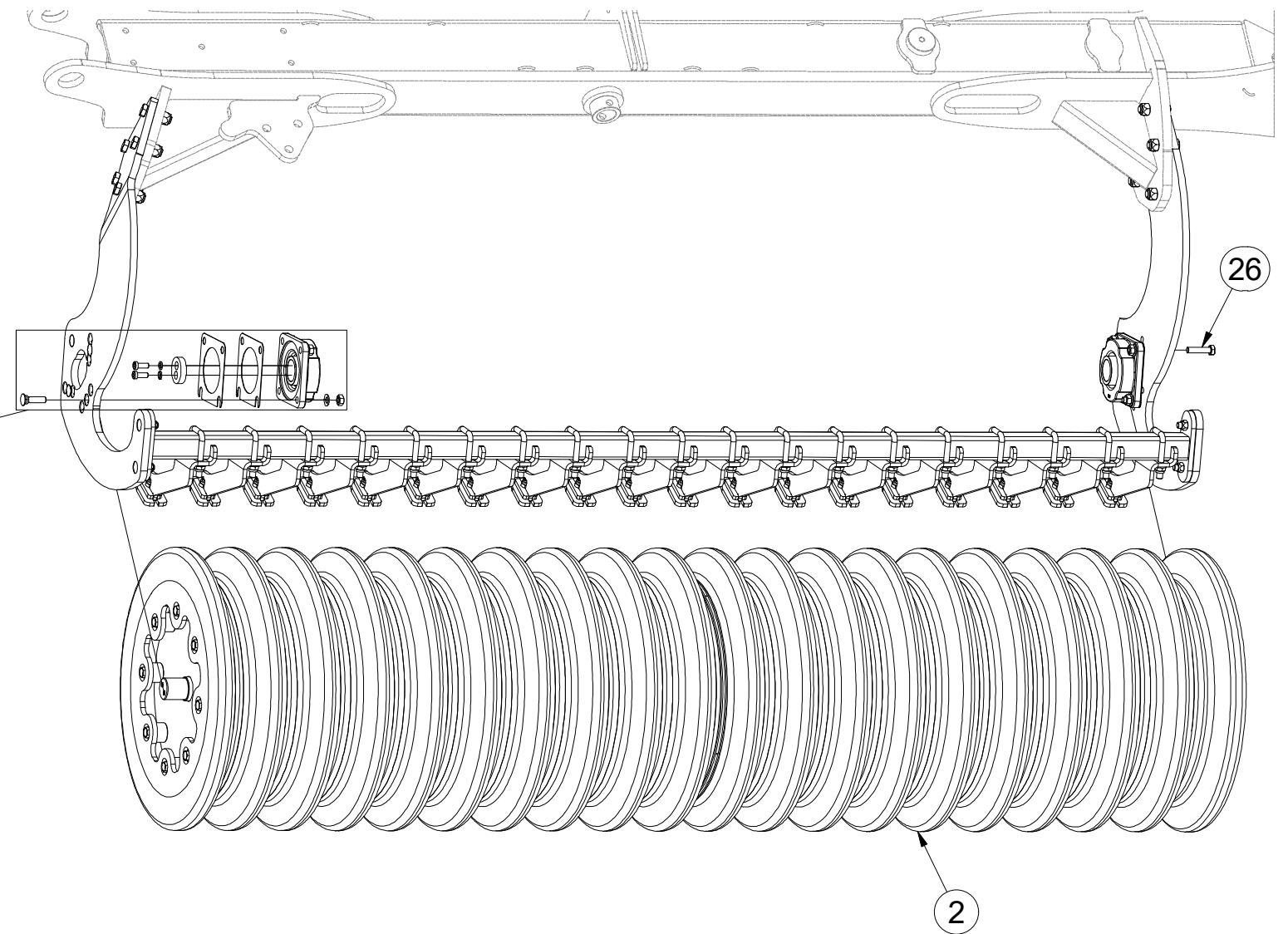
- Ⓖ SET OF REAR ROLLERS
- Ⓡ КОМПЛЕКТ ЗАДНИХ КАТКОВ
- Ⓟ ZESTAW TYLNYCH WAŁÓW



VZ00014230



| Pos. | Part Number | Pcs. | Pos. | Part Number | Pcs. |
|------|-------------|------|------|-------------|------|
| 2 | VZ00014053 | 4 | 32 | m17638 | 20 |
| 21 | 4017124 | 10 | 33 | m10440 | 16 |
| 22 | 4016002 | 20 | 36 | m10439 | 40 |
| 24 | m17627 | 10 | 40 | m01208 | 20 |
| 26 | m11579 | 22 | 41 | m17545 | 40 |

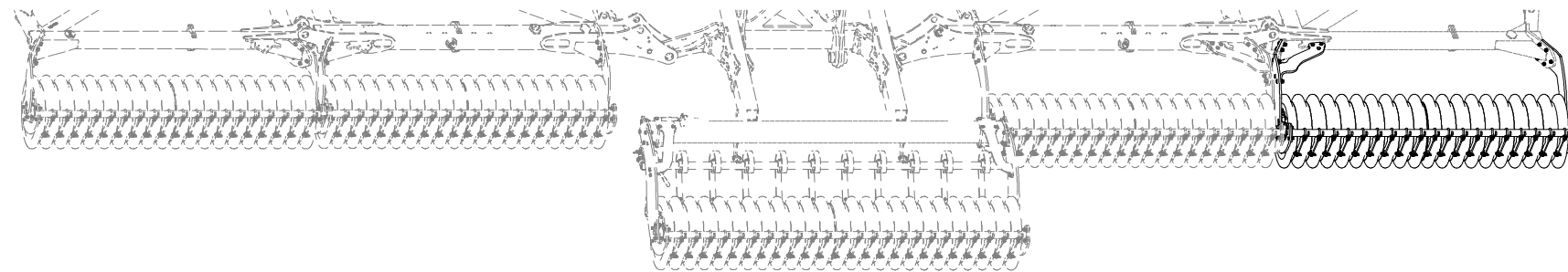


- Ⓒ SADA ZADNÍCH VÁLČŮ
- Ⓓ SATZ HINTERE WALZEN
- Ⓕ KIT DE ROULEAUX ARRIÈRE

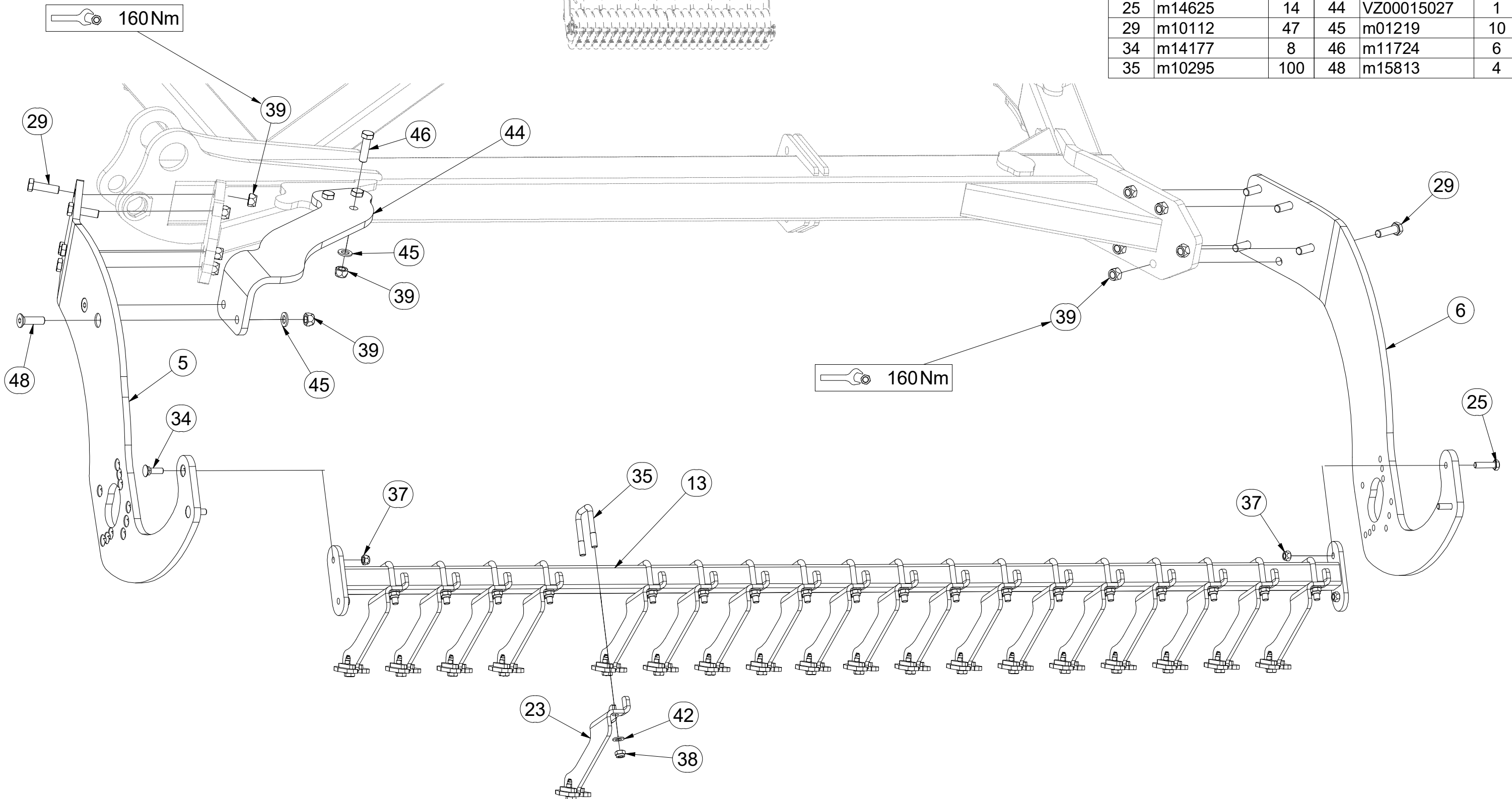
- Ⓖ SET OF REAR ROLLERS
- Ⓡ КОМПЛЕКТ ЗАДНИХ КАТКОВ
- Ⓟ ZESTAW TYLNYCH WAŁÓW



VZ00014230



| Pos. | Part Number | Pcs. | Pos. | Part Number | Pcs. |
|------|-------------|------|------|-------------|------|
| 5 | VZ00014106 | 1 | 37 | m12134 | 20 |
| 6 | VZ00014689 | 1 | 38 | m04301 | 200 |
| 13 | VZ00014101 | 4 | 39 | m13846 | 72 |
| 23 | 4007596 | 100 | 42 | m01214 | 200 |
| 25 | m14625 | 14 | 44 | VZ00015027 | 1 |
| 29 | m10112 | 47 | 45 | m01219 | 10 |
| 34 | m14177 | 8 | 46 | m11724 | 6 |
| 35 | m10295 | 100 | 48 | m15813 | 4 |

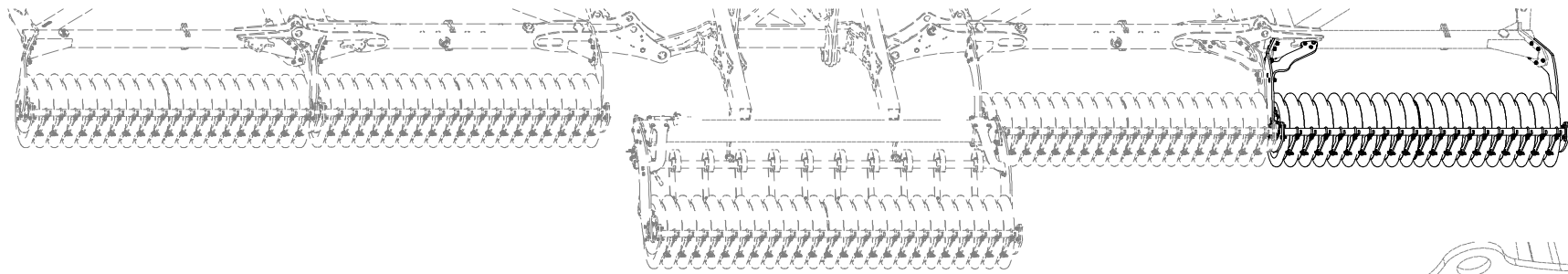


- Ⓒ SADA ZADNÍCH VÁLCŮ
- Ⓓ SATZ HINTERE WALZEN
- Ⓕ KIT DE ROULEAUX ARRIÈRE

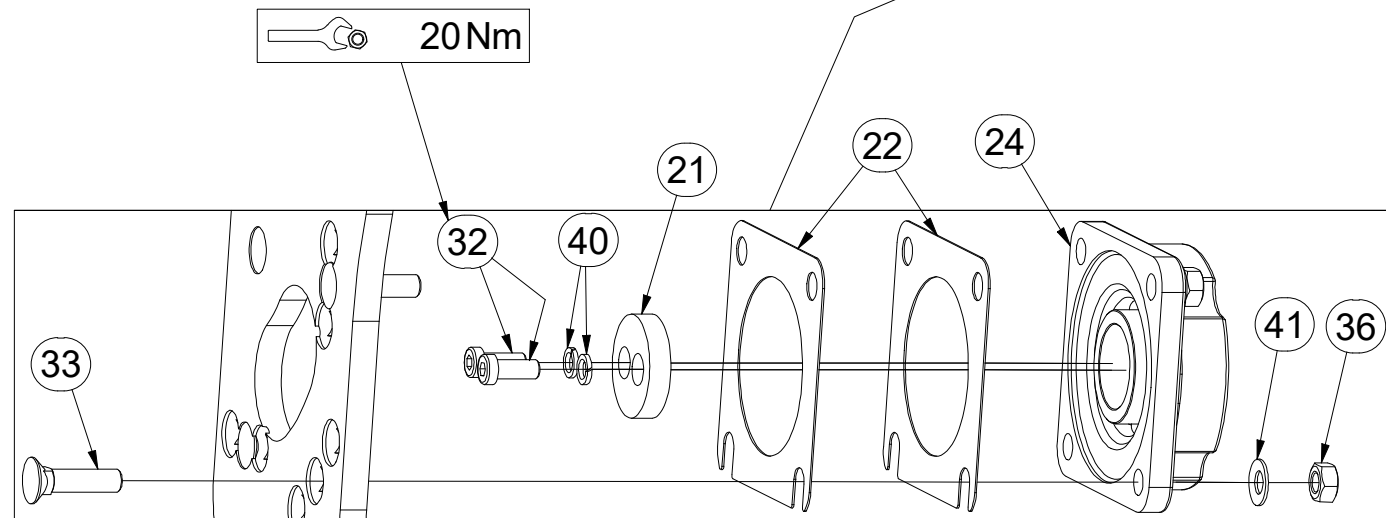
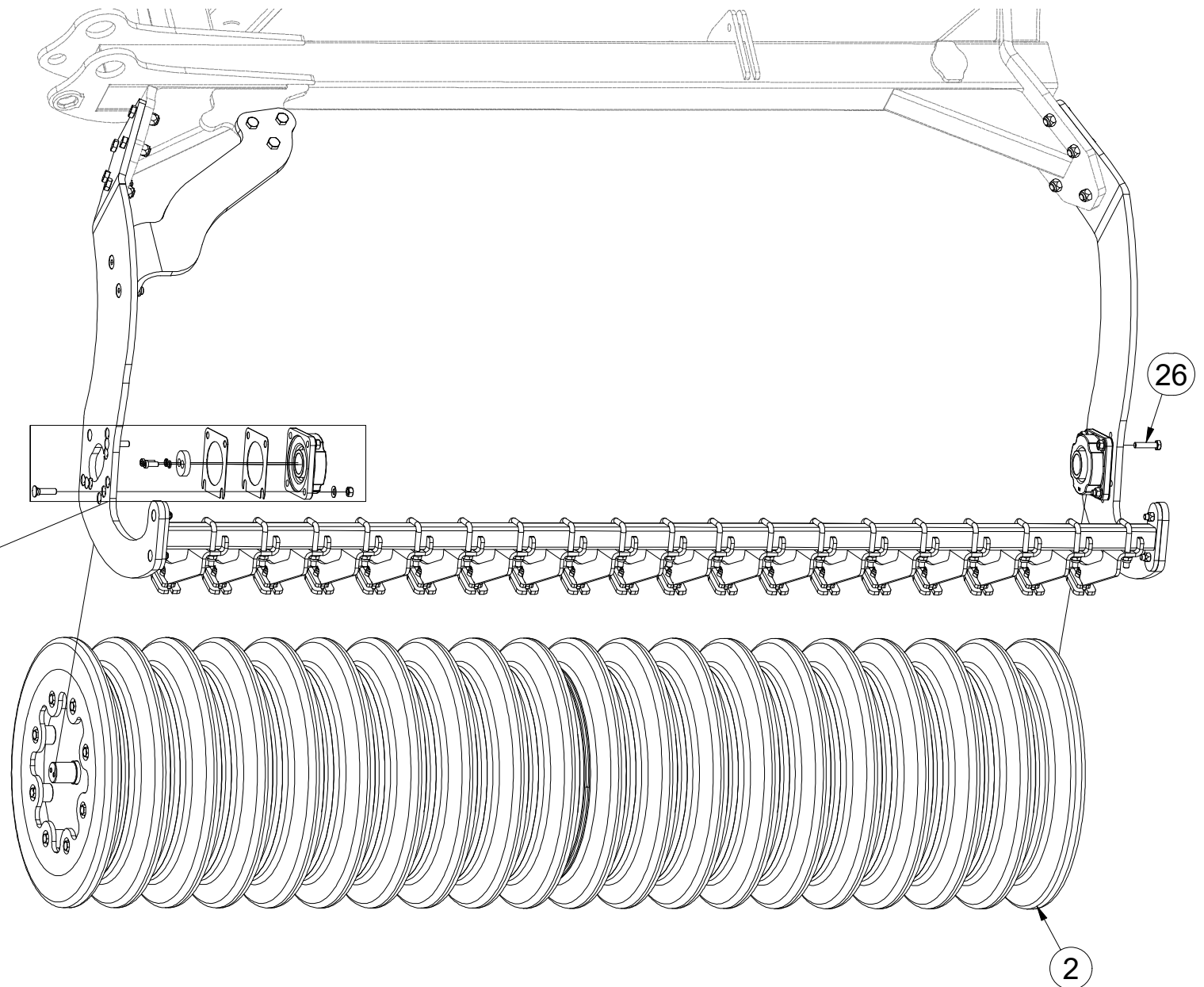
- Ⓖ SET OF REAR ROLLERS
- Ⓡ КОМПЛЕКТ ЗАДНИХ КАТКОВ
- Ⓢ ZESTAW TYLNYCH WAŁÓW



VZ00014230



| Pos. | Part Number | Pcs. | Pos. | Part Number | Pcs. |
|------|-------------|------|------|-------------|------|
| 2 | VZ00014053 | 4 | 32 | m17638 | 20 |
| 21 | 4017124 | 10 | 33 | m10440 | 16 |
| 22 | 4016002 | 20 | 36 | m10439 | 40 |
| 24 | m17627 | 10 | 40 | m01208 | 20 |
| 26 | m11579 | 22 | 41 | m17545 | 40 |

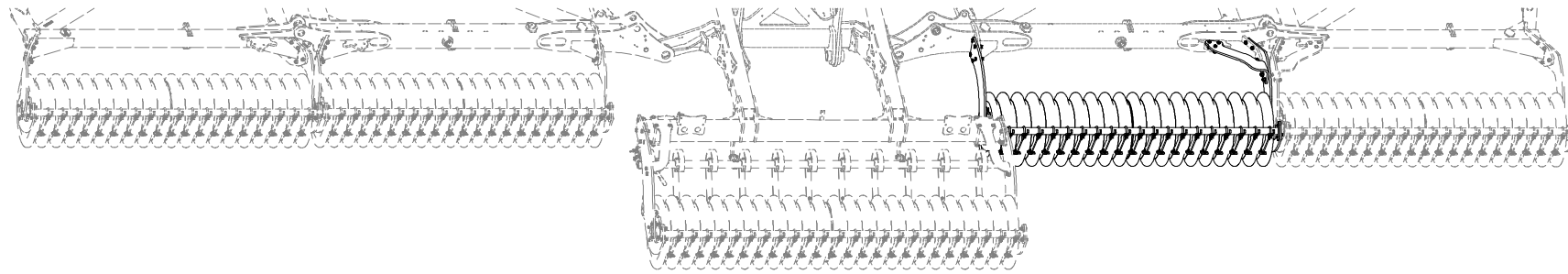


- ⒸZ SADA ZADNÍCH VÁLCŮ
- Ⓓ SATZ HINTERE WALZEN
- Ⓕ KIT DE ROULEAUX ARRIÈRE

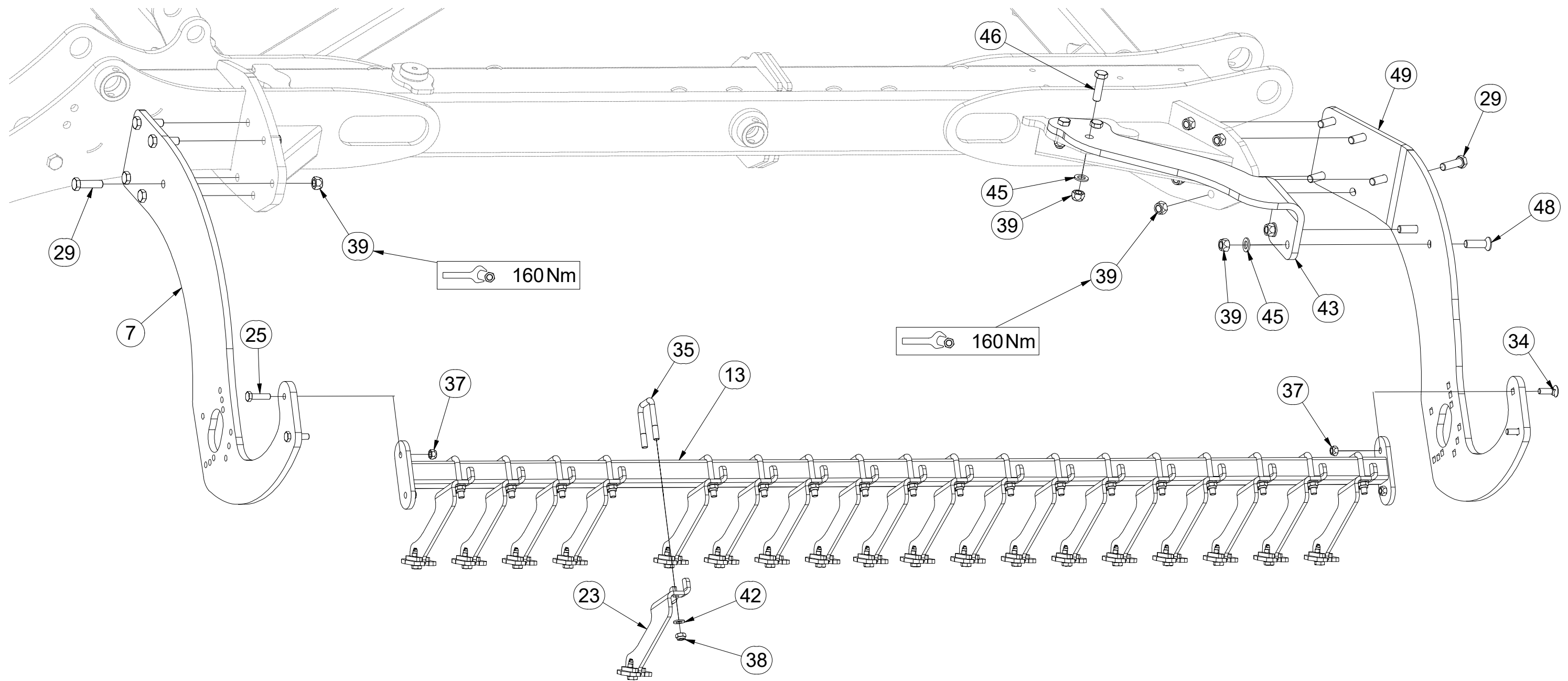
- ⒼB SET OF REAR ROLLERS
- ⒺU КОМПЛЕКТ ЗАДНИХ КАТКОВ
- ⒼL ZESTAW TYLNYCH WAŁÓW



VZ00014230



| Pos. | Part Number | Pcs. | Pos. | Part Number | Pcs. |
|------|-------------|------|------|-------------|------|
| 7 | VZ00014103 | 1 | 38 | m04301 | 200 |
| 13 | VZ00014101 | 4 | 39 | m13846 | 72 |
| 23 | 4007596 | 100 | 42 | m01214 | 200 |
| 25 | m14625 | 14 | 43 | VZ00015023 | 1 |
| 29 | m10112 | 47 | 45 | m01219 | 10 |
| 34 | m14177 | 8 | 46 | m11724 | 6 |
| 35 | m10295 | 100 | 48 | m15813 | 4 |
| 37 | m12134 | 20 | 49 | VZ00014104 | 1 |

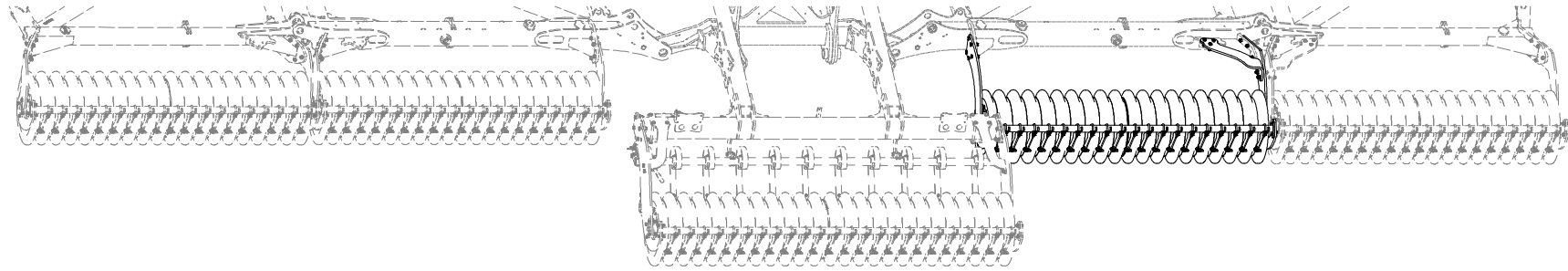


- Ⓒ SADA ZADNÍCH VÁLCŮ
- Ⓓ SATZ HINTERE WALZEN
- Ⓕ KIT DE ROULEAUX ARRIÈRE

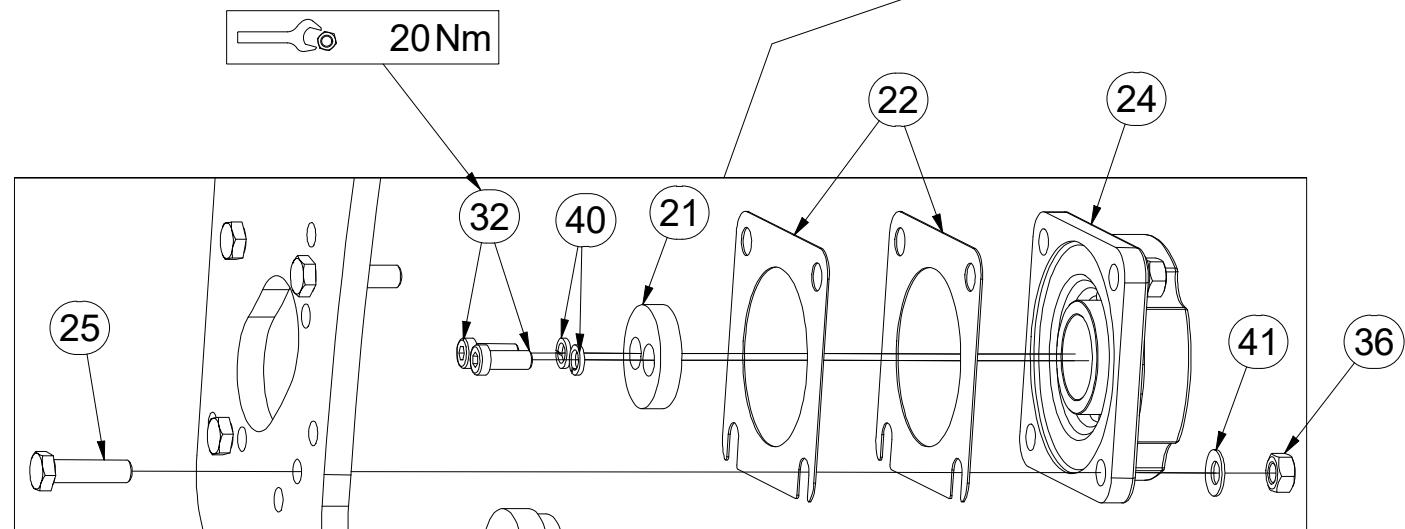
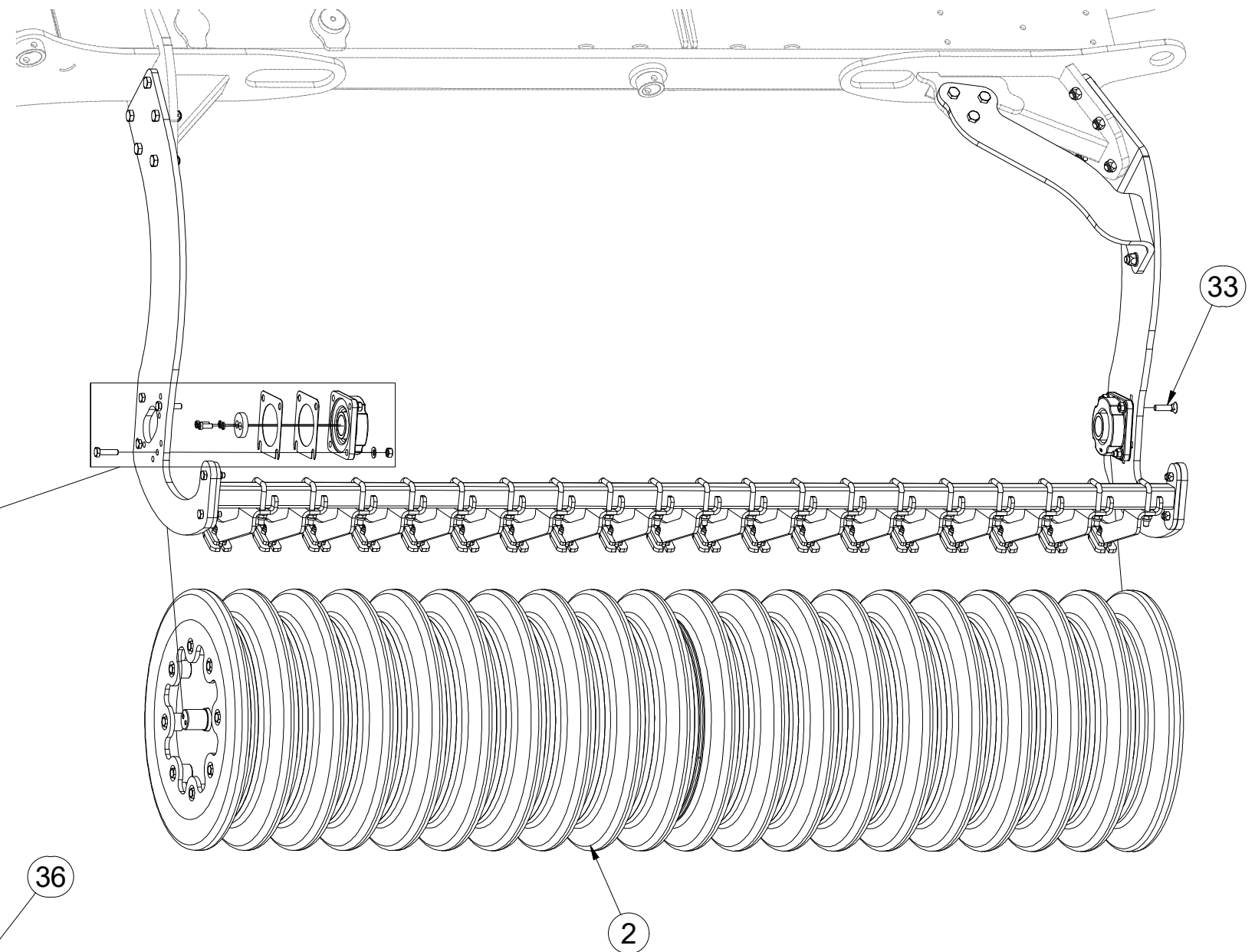
- Ⓖ SET OF REAR ROLLERS
- Ⓡ КОМПЛЕКТ ЗАДНИХ КАТКОВ
- Ⓟ ZESTAW TYLNYCH WAŁÓW



VZ00014230



| Pos. | Part Number | Pcs. | Pos. | Part Number | Pcs. |
|------|-------------|------|------|-------------|------|
| 2 | VZ00014053 | 4 | 32 | m17638 | 20 |
| 21 | 4017124 | 10 | 33 | m10440 | 16 |
| 22 | 4016002 | 20 | 36 | m10439 | 40 |
| 24 | m17627 | 10 | 40 | m01208 | 20 |
| 25 | m14625 | 14 | 41 | m17545 | 40 |

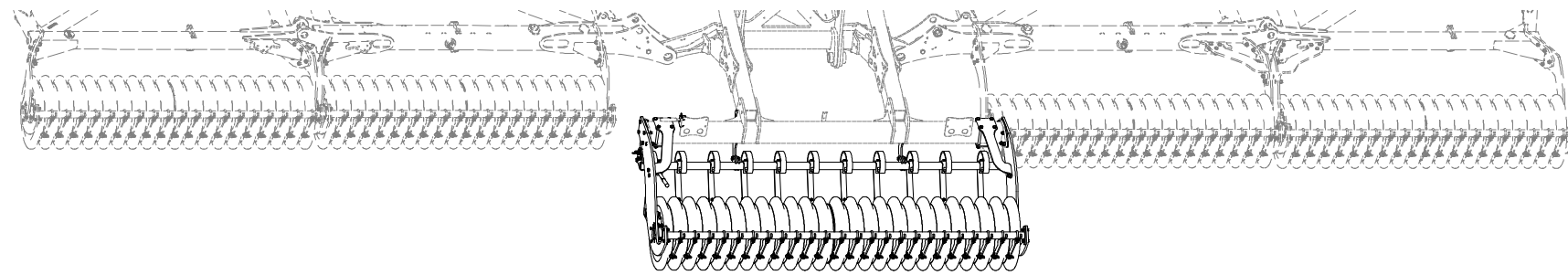


- Ⓒ SADA ZADNÍCH VÁLCŮ
- Ⓓ SATZ HINTERE WALZEN
- Ⓕ KIT DE ROULEAUX ARRIÈRE

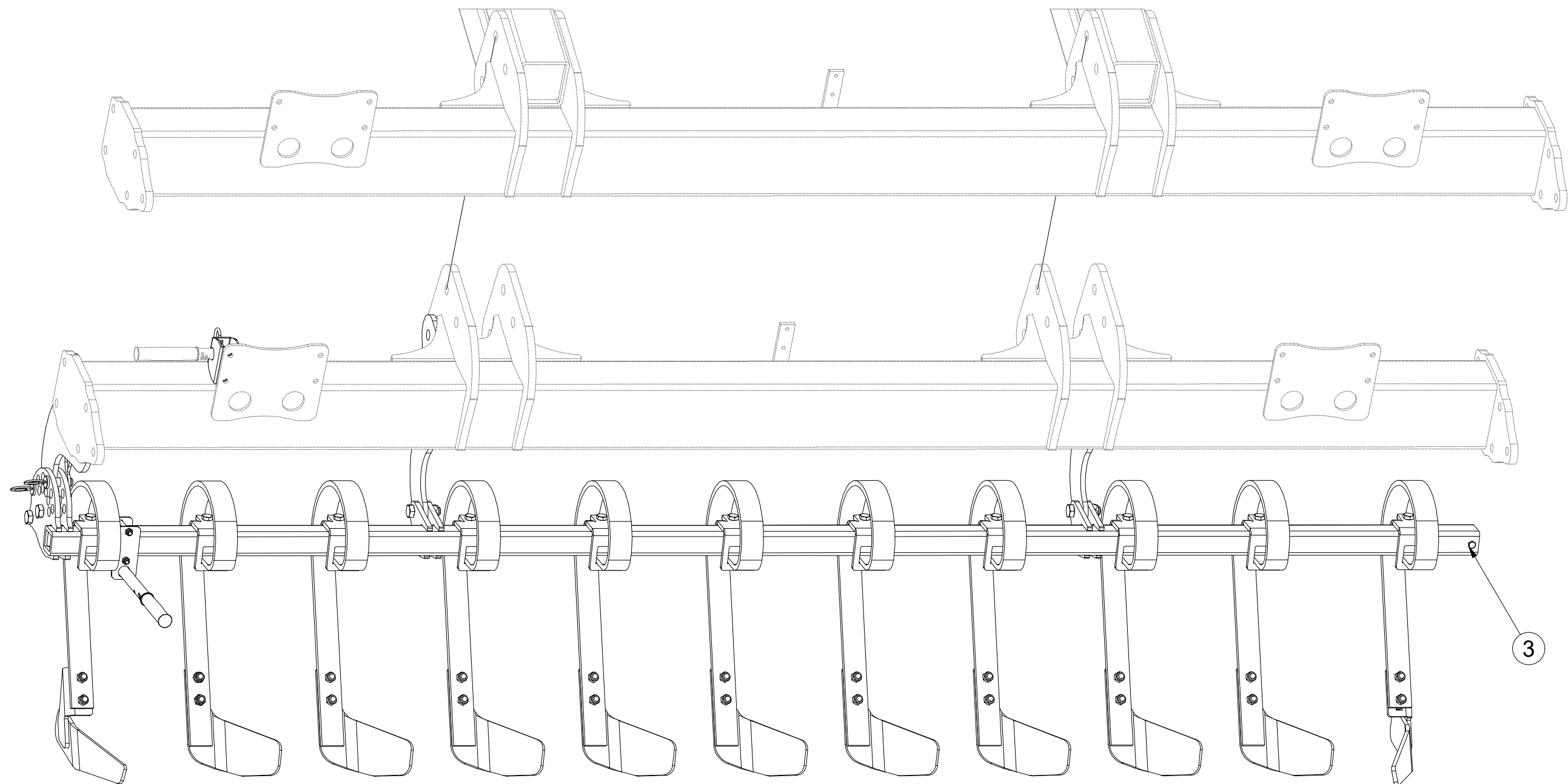
- Ⓖ SET OF REAR ROLLERS
- Ⓡ КОМПЛЕКТ ЗАДНИХ КАТКОВ
- Ⓟ ZESTAW TYLNYCH WAŁÓW



VZ00014230



| Pos. | Part Number | Pcs. |
|------|-------------|------|
| 3 | VZ00005687 | 1 |



Ⓒ SADA ZADNÍCH VÁLCŮ

Ⓓ SATZ HINTERE WALZEN

Ⓕ KIT DE ROULEAUX ARRIÈRE

Ⓖ SET OF REAR ROLLERS

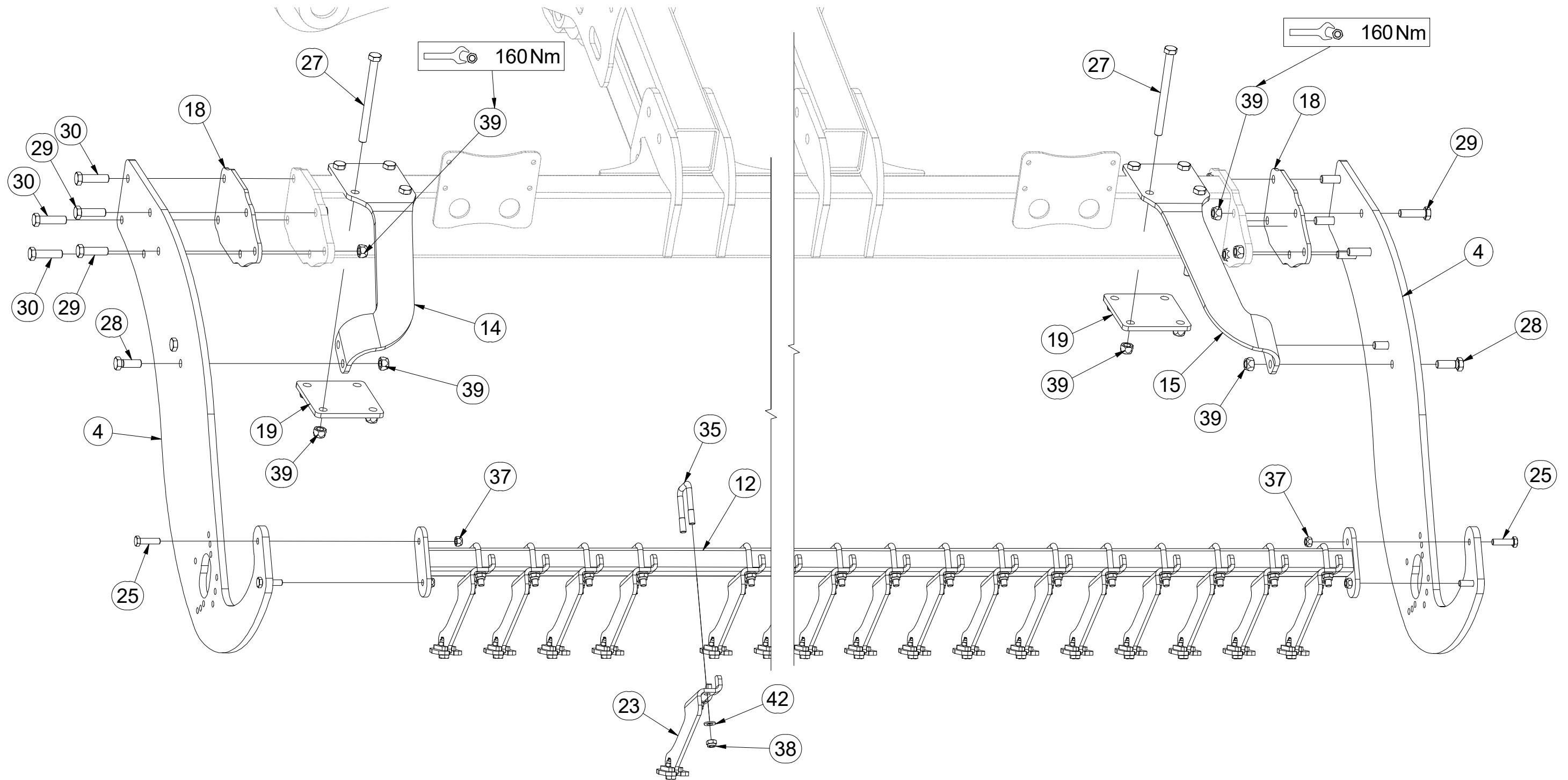
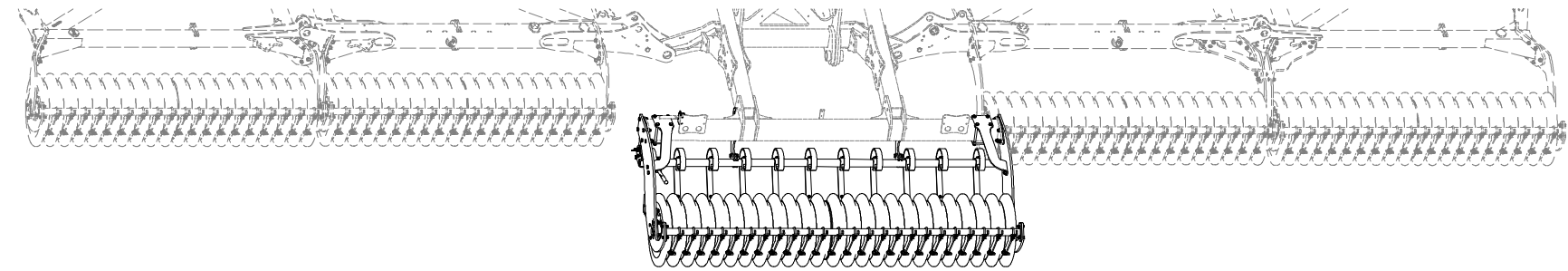
Ⓡ КОМПЛЕКТ ЗАДНИХ КАТКОВ

Ⓢ ZESTAW TYLNYCH WAŁÓW



VZ00014230

| Pos. | Part Number | Pcs. | Pos. | Part Number | Pcs. | Pos. | Part Number | Pcs. |
|------|-------------|------|------|-------------|------|------|-------------|------|
| 4 | VZ00014077 | 2 | 23 | 4007596 | 100 | 35 | m10295 | 100 |
| 12 | VZ00014087 | 1 | 25 | m14625 | 14 | 37 | m12134 | 20 |
| 14 | VZ00007921 | 1 | 27 | m10373 | 8 | 38 | m04301 | 200 |
| 15 | VZ00007926 | 1 | 28 | m02254 | 4 | 39 | m13846 | 72 |
| 18 | VZ00014078 | 2 | 29 | m10112 | 47 | 42 | m01214 | 200 |
| 19 | VZ00007925 | 2 | 30 | m00619 | 3 | | | |

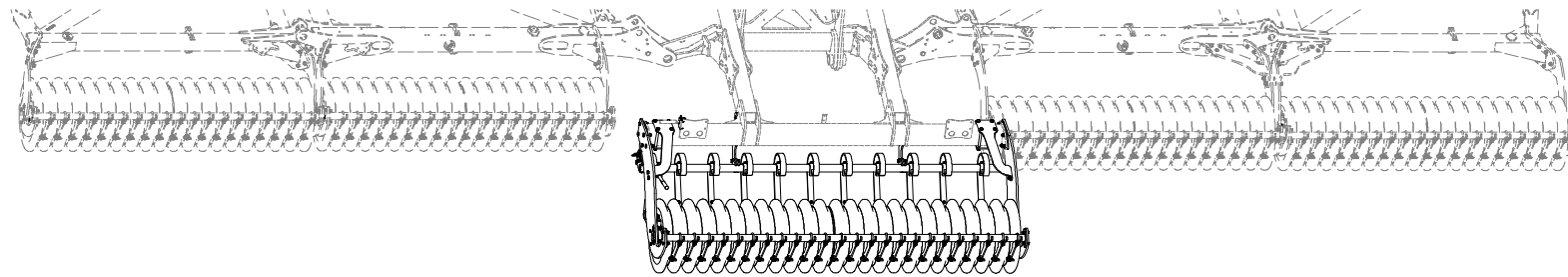


- Ⓒ SADA ZADNÍCH VÁLCŮ
- Ⓓ SATZ HINTERE WALZEN
- Ⓕ KIT DE ROULEAUX ARRIÈRE

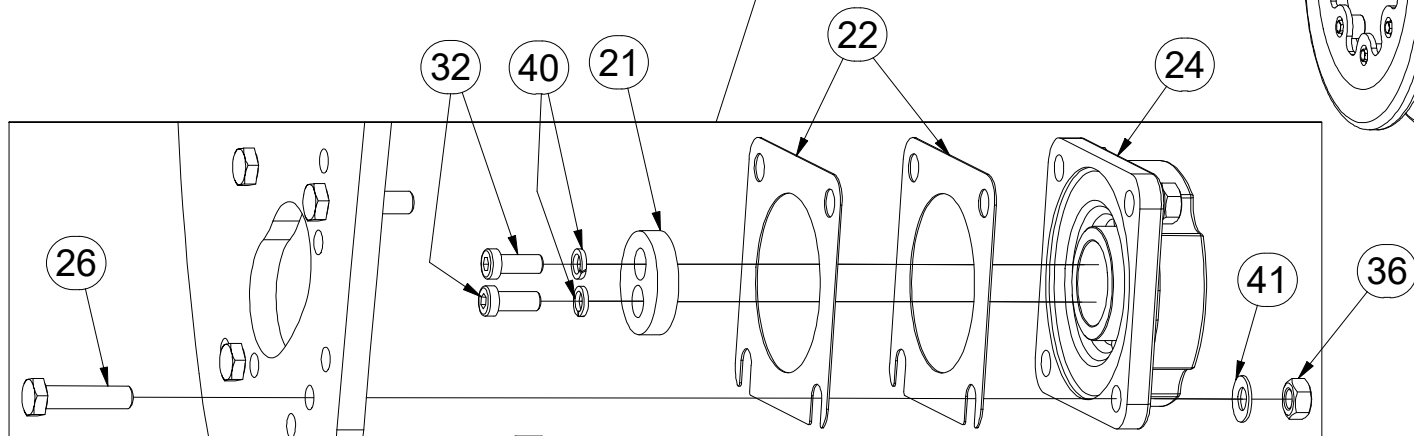
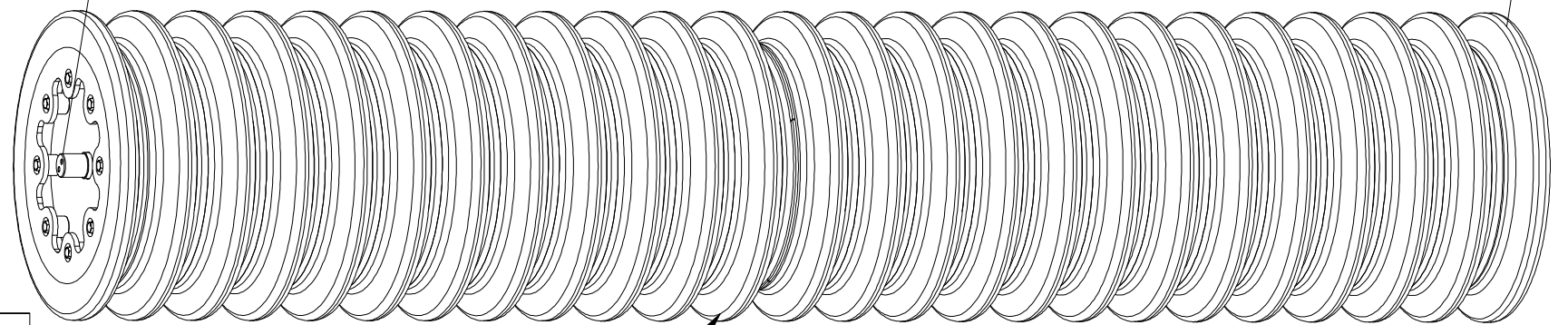
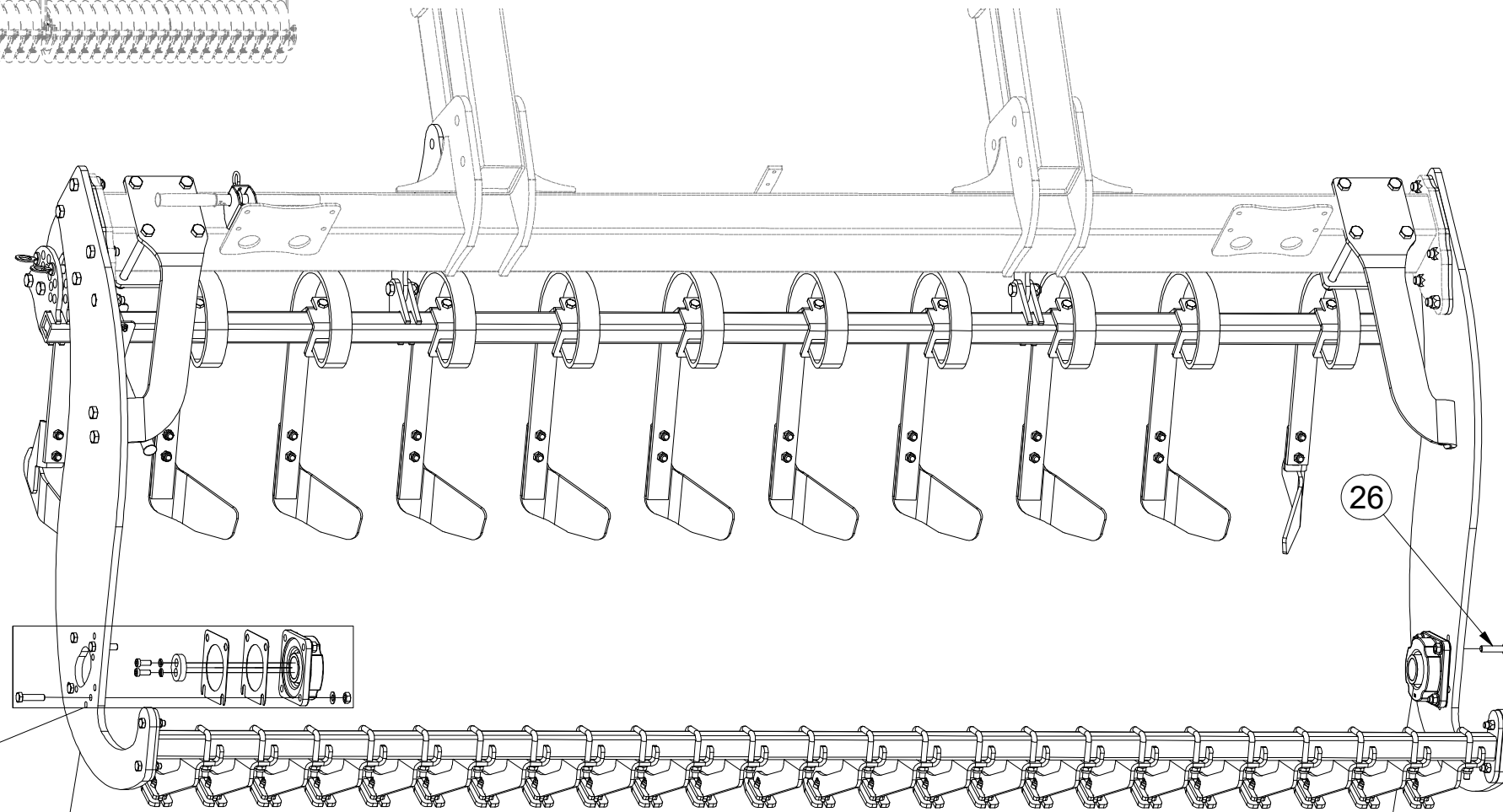
- Ⓖ SET OF REAR ROLLERS
- Ⓡ КОМПЛЕКТ ЗАДНИХ КАТКОВ
- Ⓟ ZESTAW TYLNYCH WAŁÓW



VZ00014230



| Pos. | Part Number | Pcs. | Pos. | Part Number | Pcs. |
|------|-------------|------|------|-------------|------|
| 1 | VZ00014063 | 1 | 32 | m17638 | 20 |
| 21 | 4017124 | 10 | 36 | m10439 | 40 |
| 22 | 4016002 | 20 | 40 | m01208 | 20 |
| 24 | m17627 | 10 | 41 | m17545 | 40 |
| 26 | m11579 | 22 | | | |



Ⓒ VÁLEC

Ⓓ WALZE

Ⓕ ROULEAU

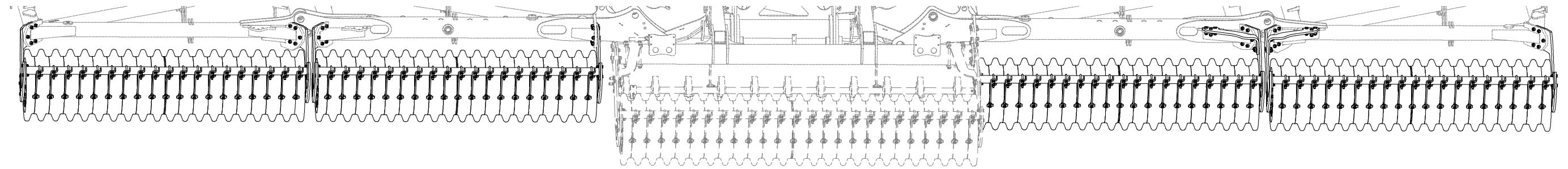
Ⓖ ROLLER

Ⓡ KATOK

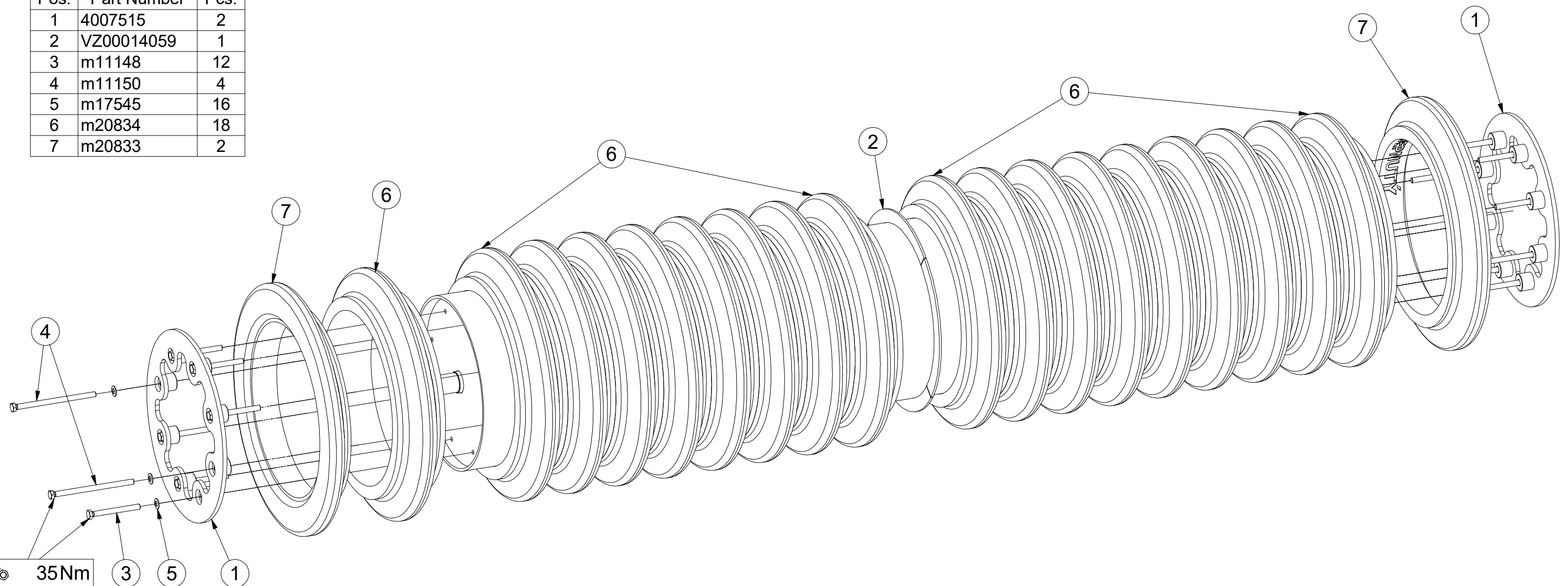
Ⓟ WAŁ



VZ00014053



| Pos. | Part Number | Pcs. |
|------|-------------|------|
| 1 | 4007515 | 2 |
| 2 | VZ00014059 | 1 |
| 3 | m11148 | 12 |
| 4 | m11150 | 4 |
| 5 | m17545 | 16 |
| 6 | m20834 | 18 |
| 7 | m20833 | 2 |

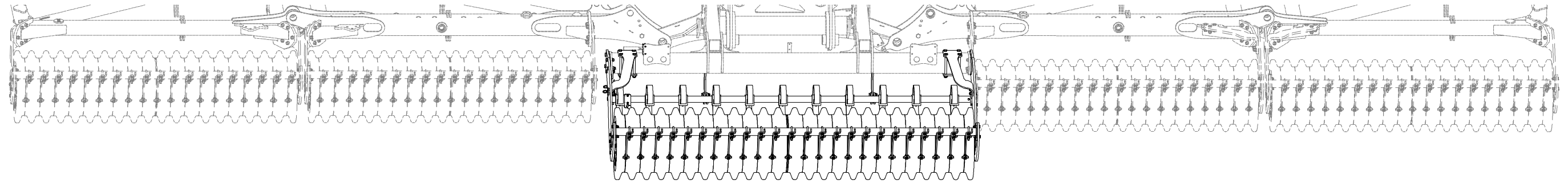


(CZ) VÁLEC
 (D) WALZE
 (F) ROULEAU

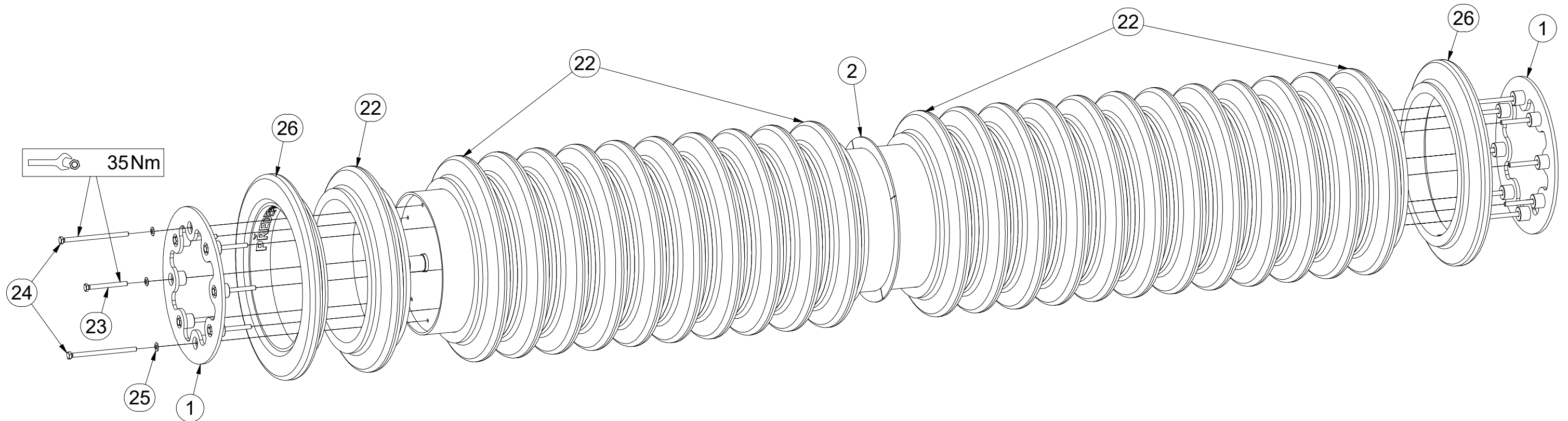
(GB) ROLLER
 (RU) KATOK
 (PL) WAŁ



VZ00014063



| Pos. | Part Number | Pcs. |
|------|-------------|------|
| 1 | 4007515 | 2 |
| 2 | VZ00014064 | 1 |
| 22 | m20834 | 23 |
| 23 | m11148 | 12 |
| 24 | m11150 | 4 |
| 25 | m17545 | 16 |
| 26 | m20833 | 2 |



Ⓒ ČISTIČ VÁLCE

Ⓓ ABSTREIFER WALZE

Ⓕ NETTOYEUR DE ROULEAU

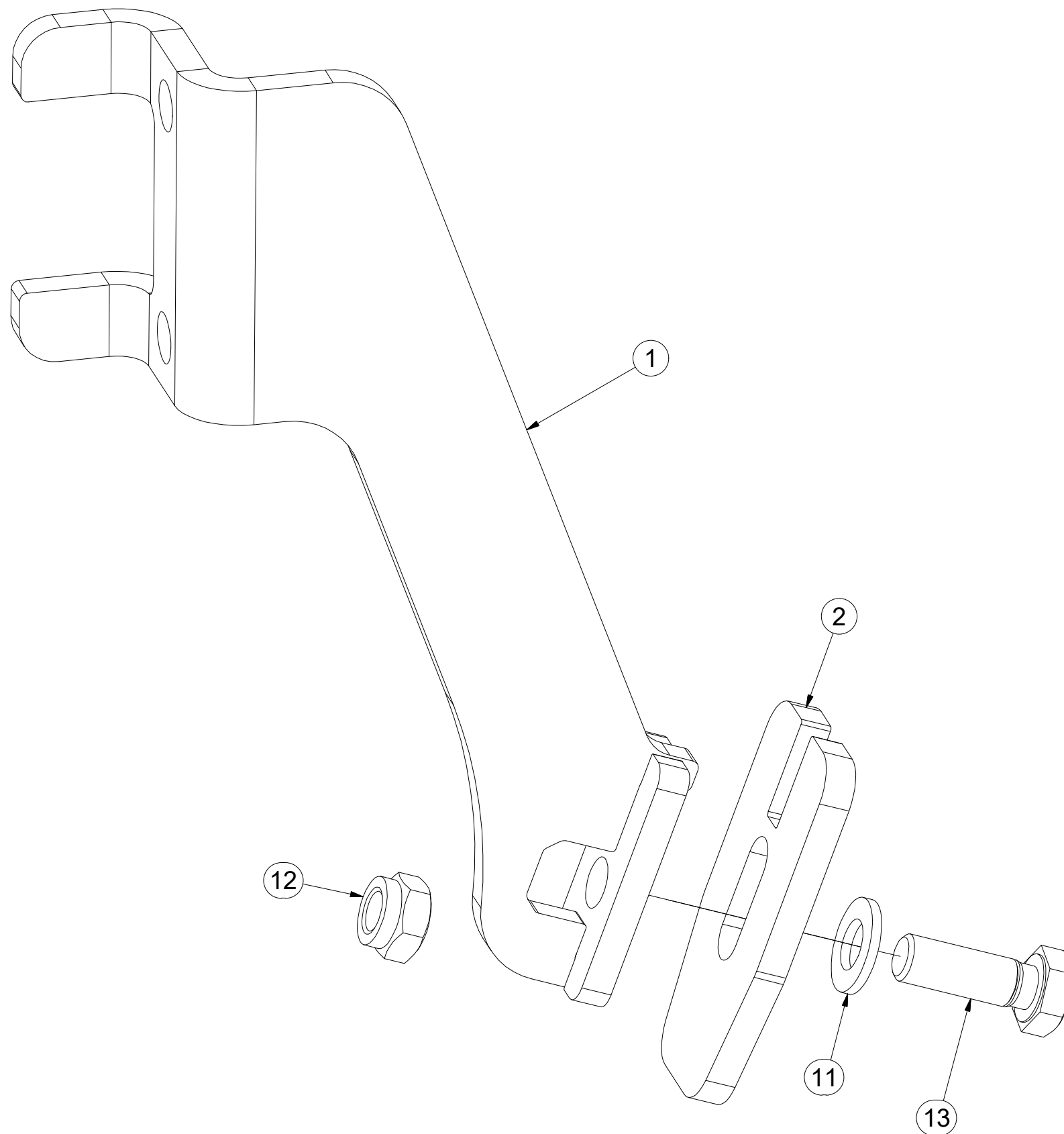
4007596

Ⓖ ROLLER CLEANER

Ⓡ ОЧИСТИТЕЛЬ КАТКА

Ⓢ WAŁ CZYSZCZĄCY

Farmet



| Poz | Číslo součásti | Ks |
|-----|----------------|----|
| 1 | 4007597 | 1 |
| 2 | 4007566 | 1 |
| 11 | m01214 | 1 |
| 12 | m04301 | 1 |
| 13 | m04343 | 1 |

ⒸZ SADA NÁPRAVY

Ⓓ SATZ AUFHÄNGUNG

Ⓕ KIT DE L'ESSIEU

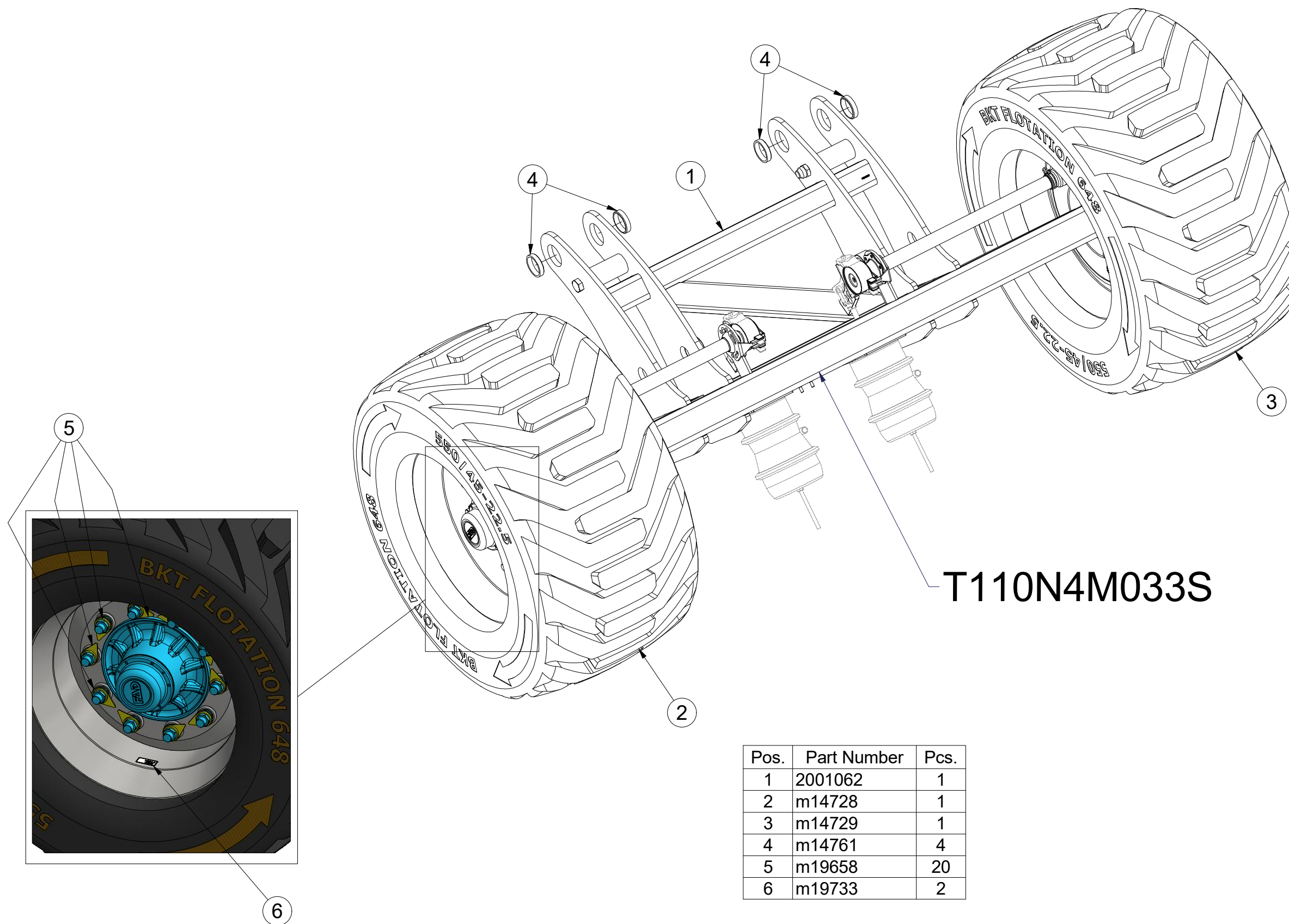
ⒼB AXLE SET

ⒺU КОМПЛЕКТ ОСИ КОЛЁС

ⒽL ZESTAW OSI



3010962



| Pos. | Part Number | Pcs. |
|------|-------------|------|
| 1 | 2001062 | 1 |
| 2 | m14728 | 1 |
| 3 | m14729 | 1 |
| 4 | m14761 | 4 |
| 5 | m19658 | 20 |
| 6 | m19733 | 2 |

ⒸZ NÁPRAVA

ⒸD ACHSE

ⒸF ESSIEU

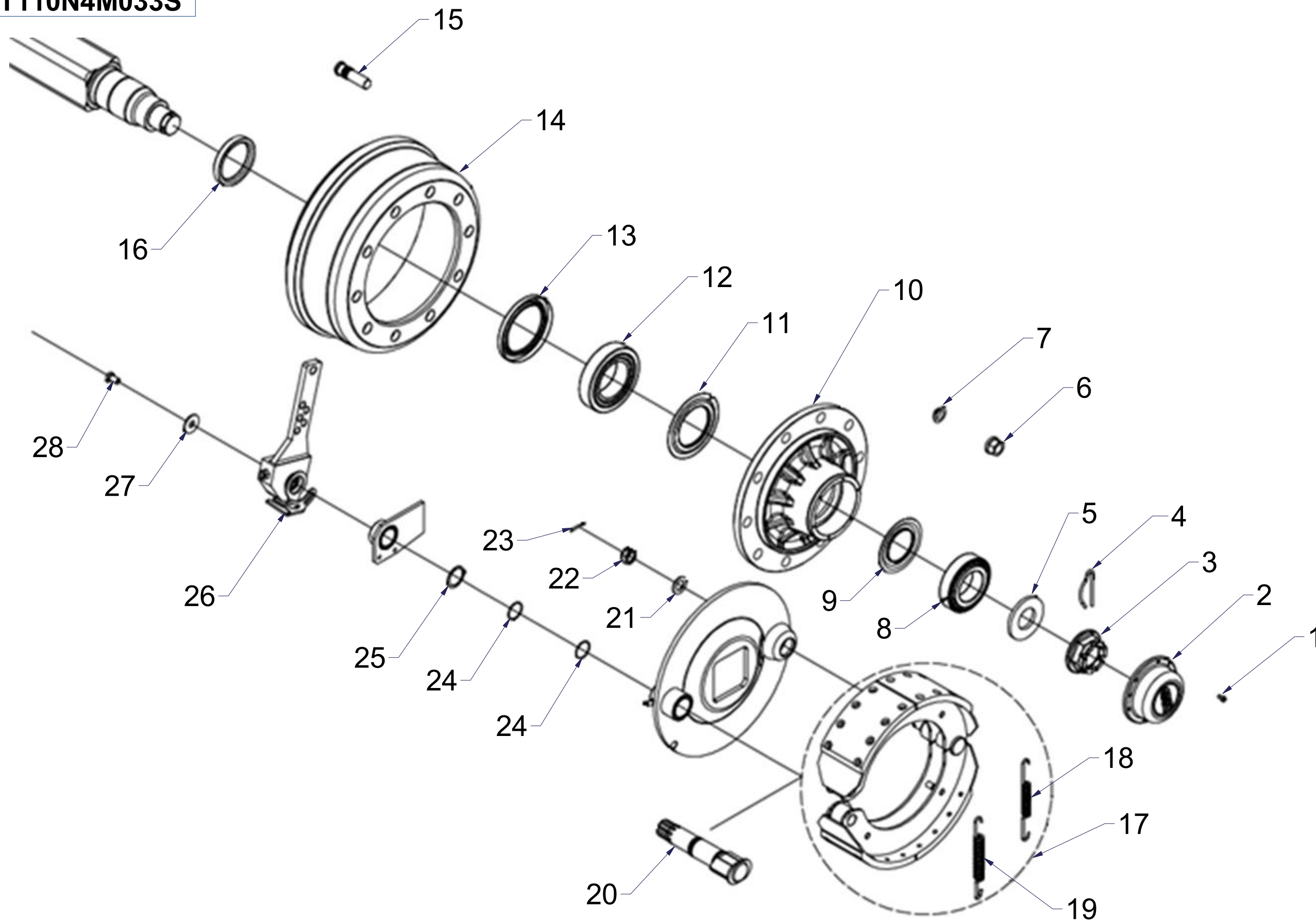
ⒸGB AXLE

ⒸRU OCB

ⒸPL OS



T110N4M033S



| Pos. | Part Number | Pcs. |
|------|-------------|------|
| 1 | m17270 | 12 |
| 2 | m17271 | 2 |
| 3 | m17272 | 2 |
| 4 | m17273 | 2 |
| 5 | m17274 | 2 |
| 6 | m17275 | 20 |
| 7 | m17276 | 20 |
| 9 | m17279 | 2 |
| 10 | m17280 | 2 |
| 11 | m17281 | 2 |
| 12 | m17282 | 2 |
| 13 | m17283 | 2 |
| 14 | m17284 | 2 |
| 15 | m17285 | 20 |
| 16 | m17286 | 2 |
| 17 | m17287 | 2 |
| 18 | m17288 | 2 |
| 19 | m17289 | 2 |
| 20 | m17290 | 2 |
| 21 | m17291 | 2 |
| 22 | m17292 | 2 |
| 23 | m017293 | 2 |
| 24 | m17294 | 2 |
| 25 | m17295 | 4 |
| 26 | m17296 | 2 |
| 27 | m17297 | 2 |
| 28 | m17298 | 2 |
| 29 | m17299 | 2 |

ⒸZ TERČ ZADNÍ LEVÝ - HOMOLOGACE

Ⓓ SCHILD, HINTERES, LINKES - HOMOLOGATION

Ⓕ CIBLE ARRIÈRE GAUCHE - HOMOLOGATION

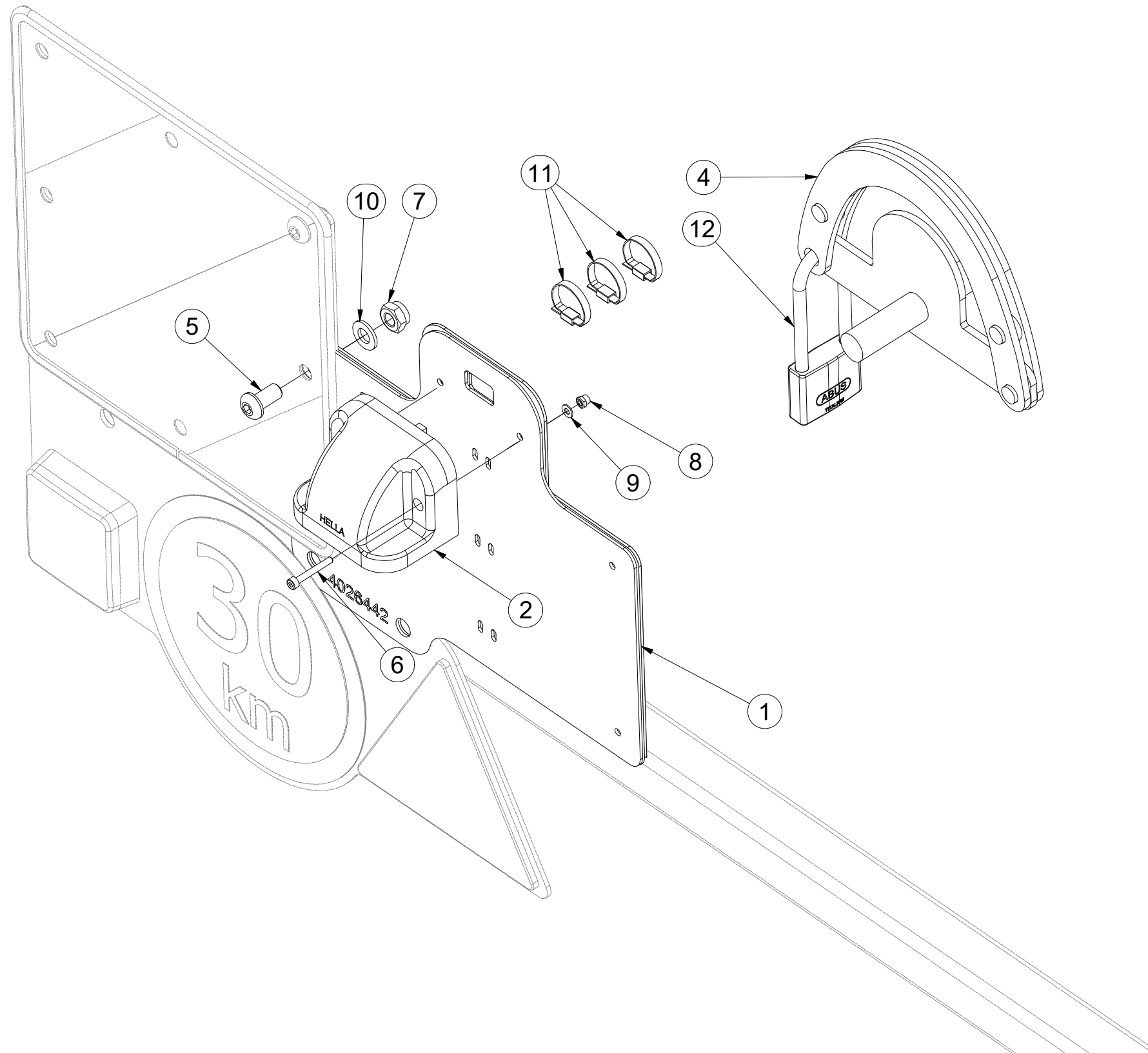
ⒸB LEFT REAR DISC - HOMOLOGATION

ⒸU ЩИТОК ЗАДНИЙ ЛЕВЫЙ - УТВЕРЖДЕНИЯ

ⒸL TARCZA TYLNA LEWA - HOMOLOGACJA

Farmet

3012825



| Pos. | Part Number | Pcs. |
|------|-------------|------|
| 1 | 4025216 | 1 |
| 2 | m18862 | 1 |
| 3 | m18861 | 1 |
| 4 | m19084 | 1 |
| 5 | m16637 | 1 |
| 6 | m16861 | 2 |
| 7 | m03775 | 1 |
| 8 | m05562 | 2 |
| 9 | m05597 | 2 |
| 10 | m01209 | 1 |
| 11 | m05566 | 3 |
| 12 | m18814 | 1 |
| 36 | 4026442 | 1 |

ⒸZ TERČ ZADNÍ LEVÝ

Ⓓ SCHILD, HINTERES, LINKES

Ⓕ CIBLE ARRIÈRE GAUCHE

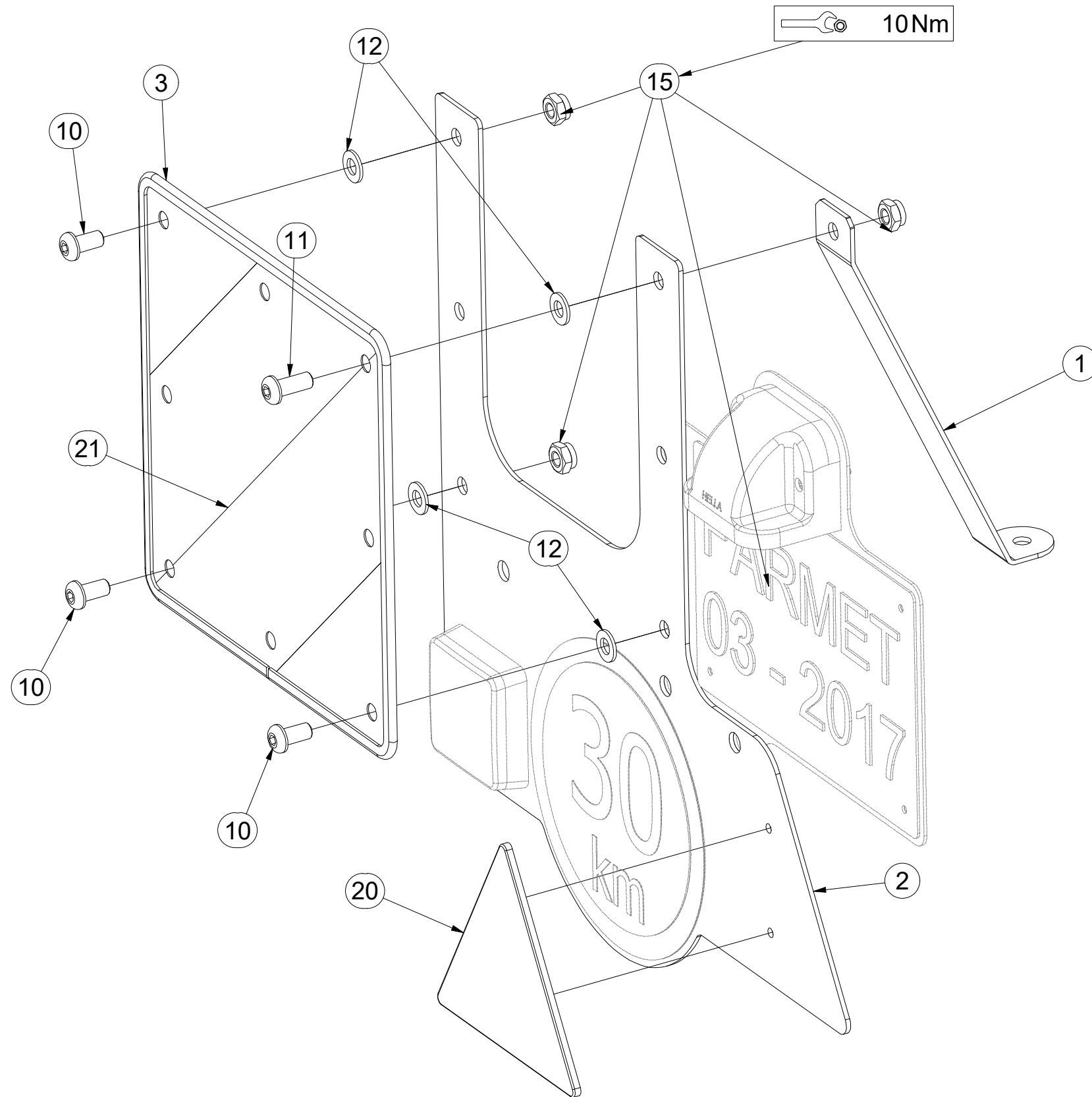
ⒼB LEFT REAR DISC

ⒶU ЩИТОК ЗАДНИЙ ЛЕВЫЙ

ⒶL TARCZA TYLNA LEWA



3012398



| Pos. | Part Number | Pcs. |
|------|-------------|------|
| 1 | 4019310 | 1 |
| 2 | 4024978 | 1 |
| 3 | 9005707 | 1 |
| 10 | m16637 | 3 |
| 11 | m16688 | 1 |
| 12 | m01209 | 4 |
| 15 | m03775 | 4 |
| 20 | m02497 | 1 |
| 21 | m18855 | 1 |

ⒸZ TERČ PŘEDNÍ PRAVÝ

Ⓓ SCHILD, VORDERES, RECHTES

Ⓕ CIBLE AVANT DROITE

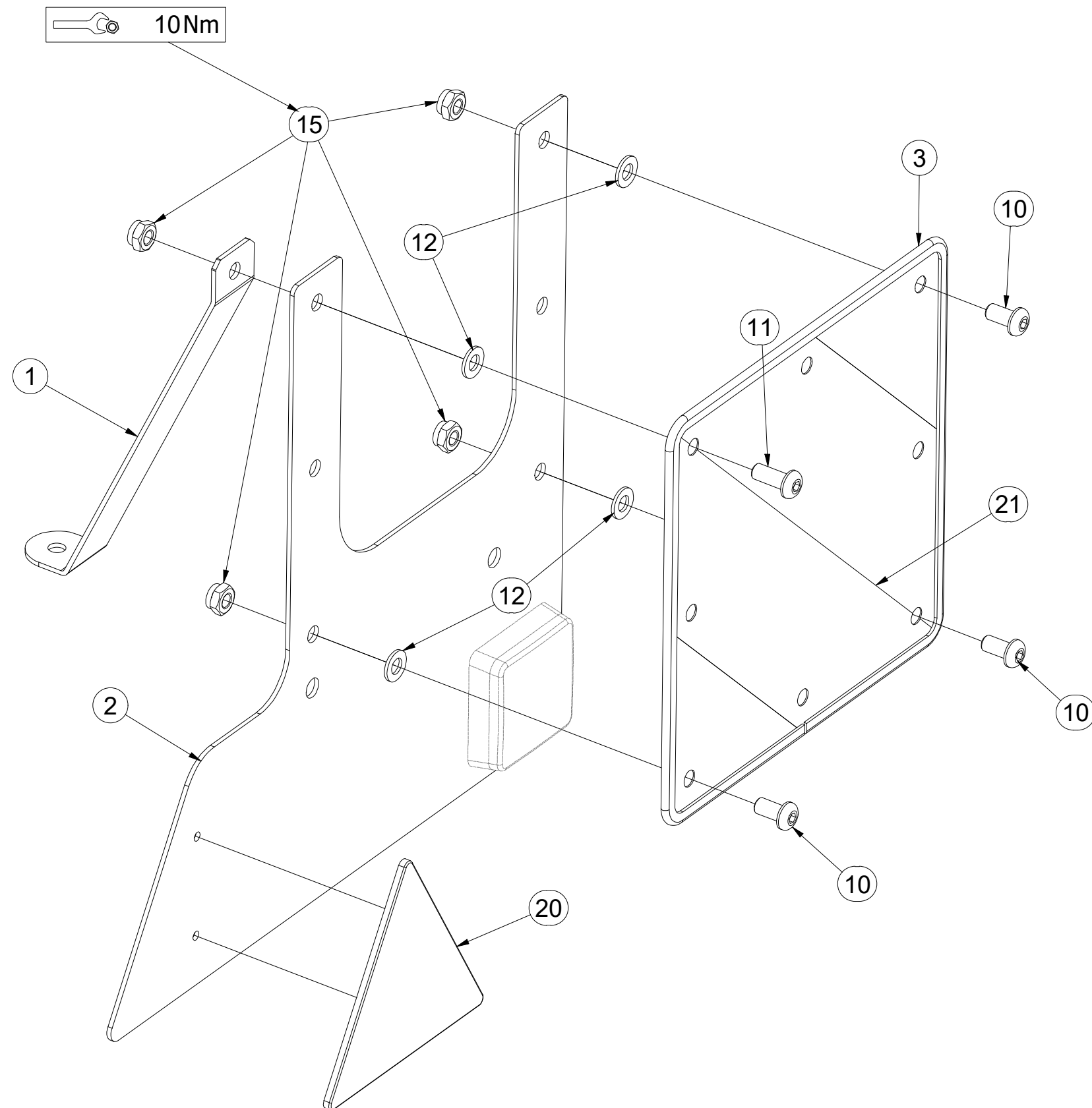
ⒸB RIGHT FRONT DISC

ⒶЩИТОК ПЕРЕДНИЙ ПРАВЫЙ

Ⓐ TARCZA PRZEDNIA PRAWA



3012400



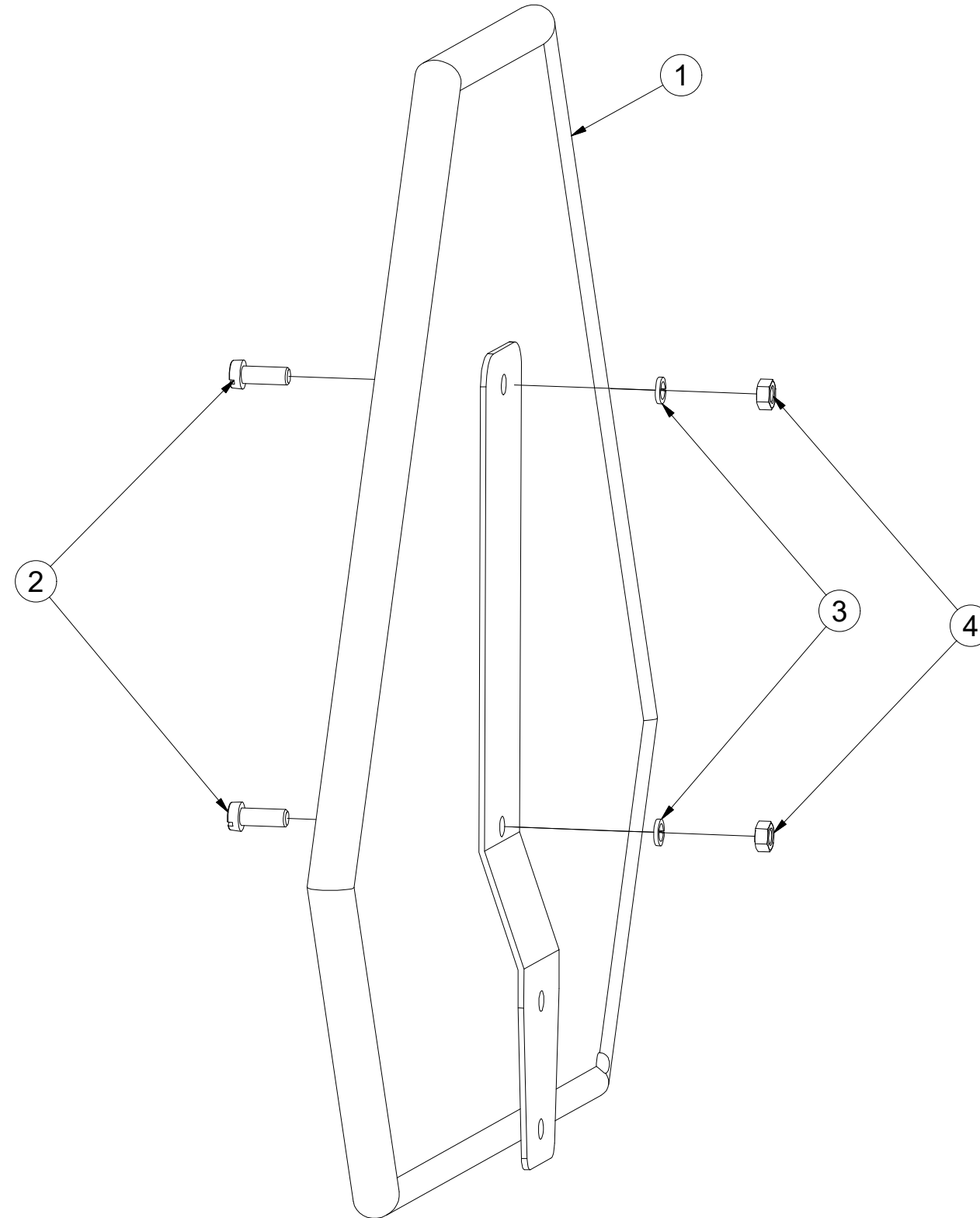
| Pos. | Part Number | Pcs. |
|------|-------------|------|
| 1 | 4019310 | 1 |
| 2 | 4024980 | 1 |
| 3 | 9005707 | 1 |
| 10 | m16637 | 3 |
| 11 | m16688 | 1 |
| 12 | m01209 | 4 |
| 15 | m03775 | 4 |
| 20 | m02497 | 1 |
| 21 | m18855 | 1 |

Ⓒ VÝSTRAŽNÝ TROJÚHELNÍK
Ⓓ WARNDREIECK
Ⓕ TRIANGLE D'AVERTISSEMENT

Ⓖ EMERGENCY TRIANGLE
Ⓡ ЗНАК АВАРИЙНОЙ ОСТАНОВКИ
Ⓟ TRÓJKĄT OSTRZEGAWCZY



3001210



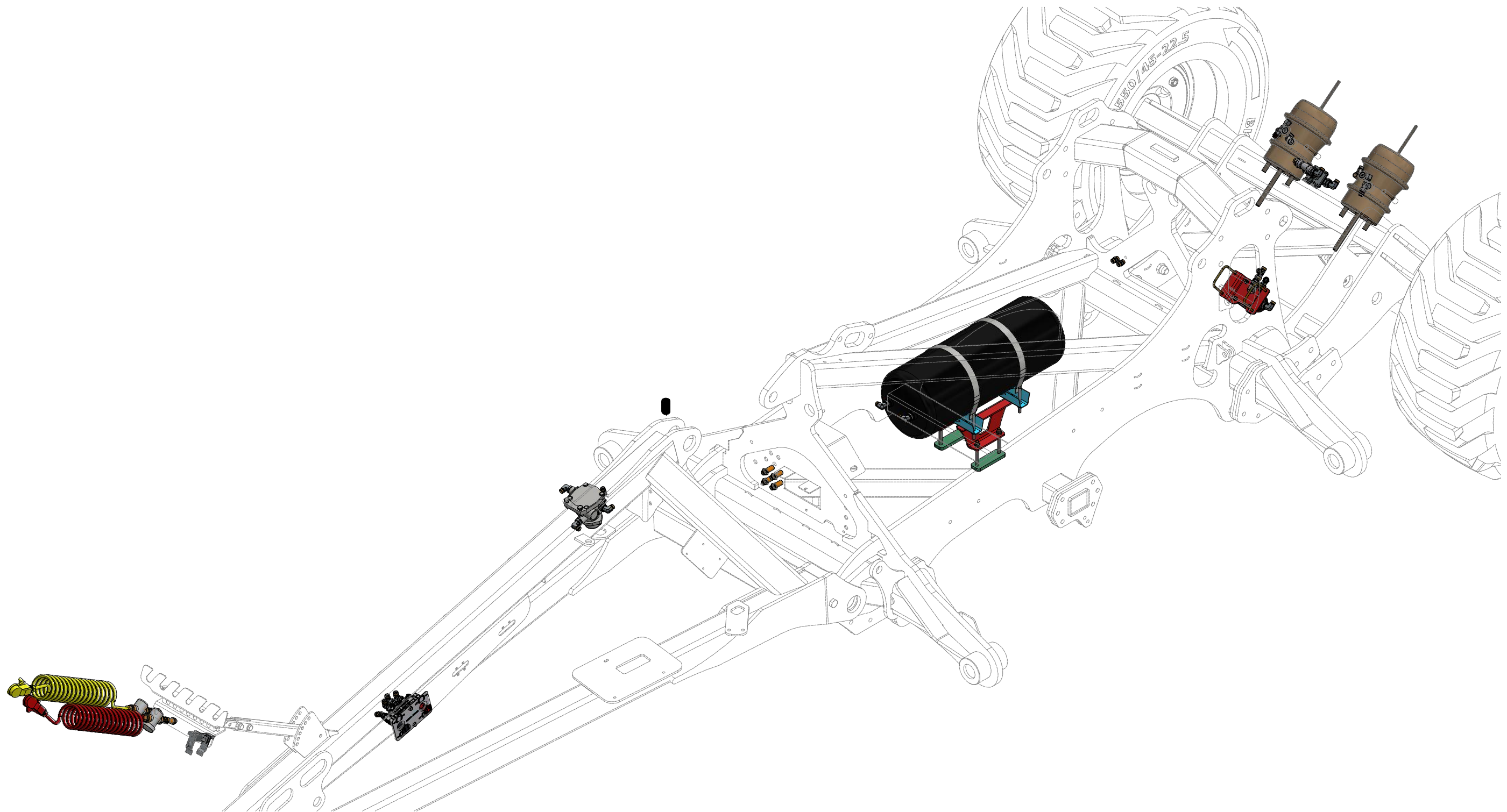
| Pos. | Part Number | Pcs. |
|------|-------------|------|
| 1 | m05371 | 1 |
| 2 | m11759 | 2 |
| 3 | m01200 | 2 |
| 4 | m01295 | 2 |

- Ⓒ DVOUHADICOVÉ BRZDY
- Ⓓ ZWEISCHLAUCHBREMSEN
- Ⓕ FREINS À DEUX FLEXIBLES

- Ⓖ DOUBLE-HOSE BRAKES
- Ⓔ ДВУХШЛАНГОВЫЕ ТОРМОЗА
- Ⓗ HAMULCE DWUPRZEWODOWE



3012613

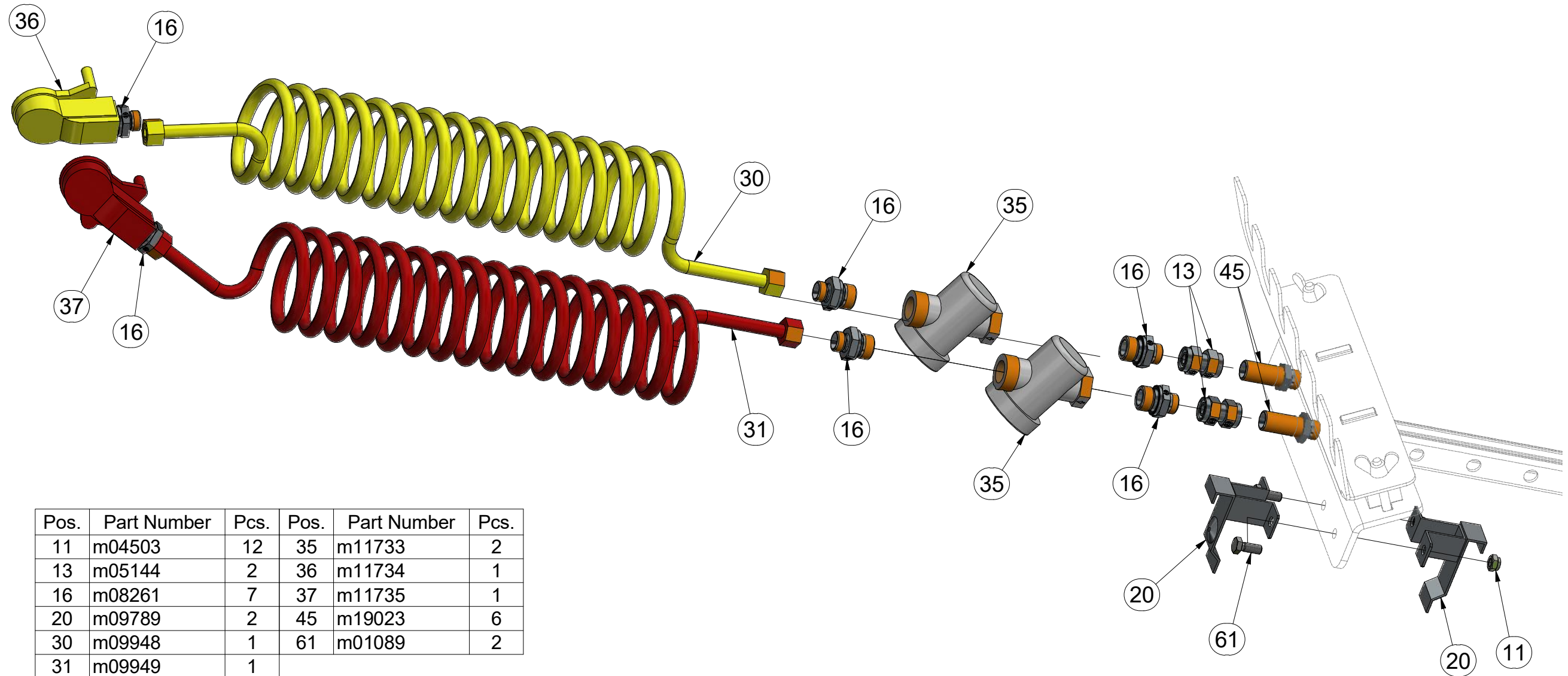
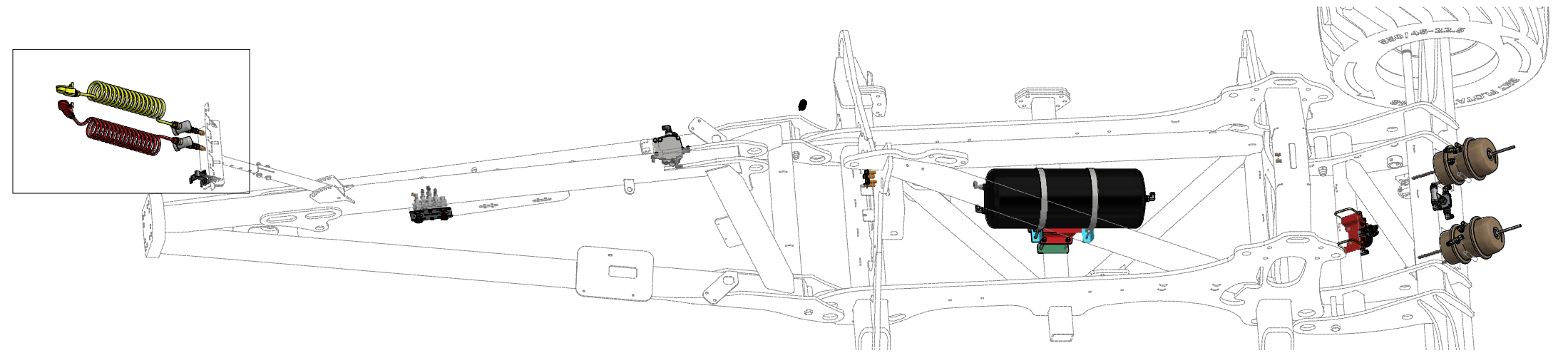


CZ DVOUHADICOVÉ BRZDY
 D ZWEISCHLAUCHBREMSEN
 F FREINS À DEUX FLEXIBLES

GB DOUBLE-HOSE BRAKES
 RU ДВУХШЛАНГОВЫЕ ТОРМОЗА
 PL HAMULCE DWUPRZEWODOWE



3012613



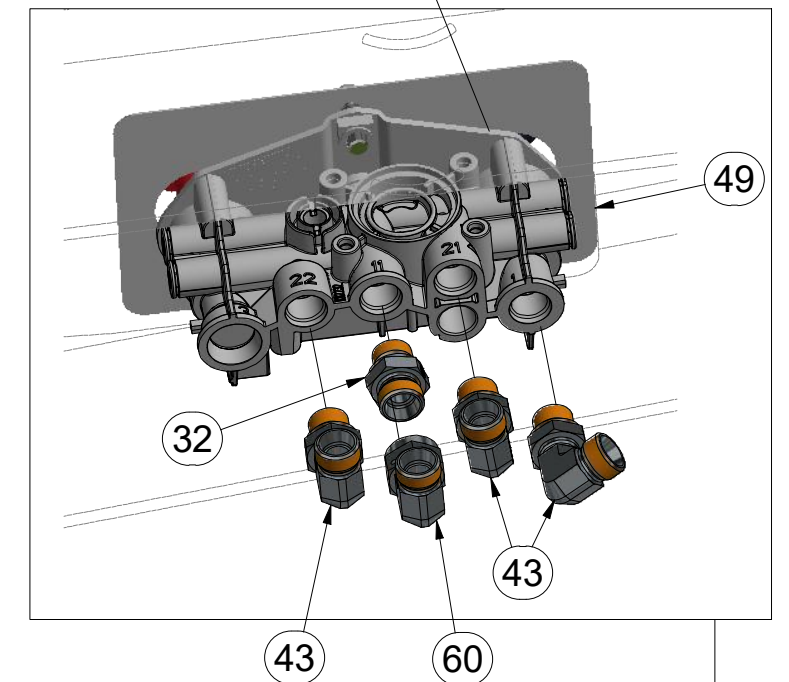
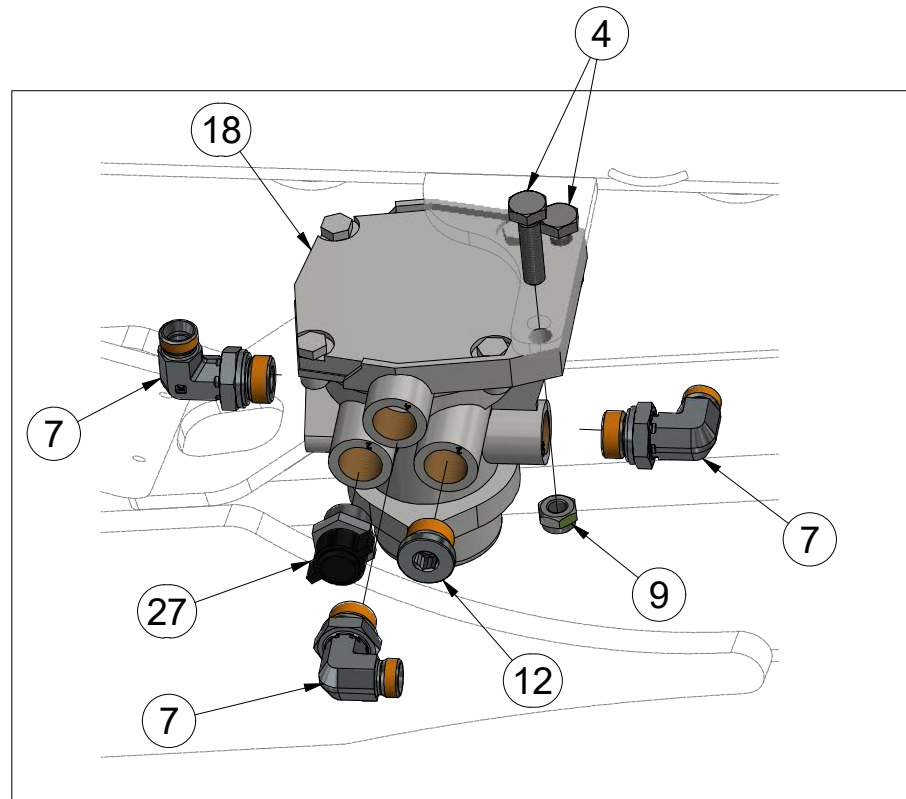
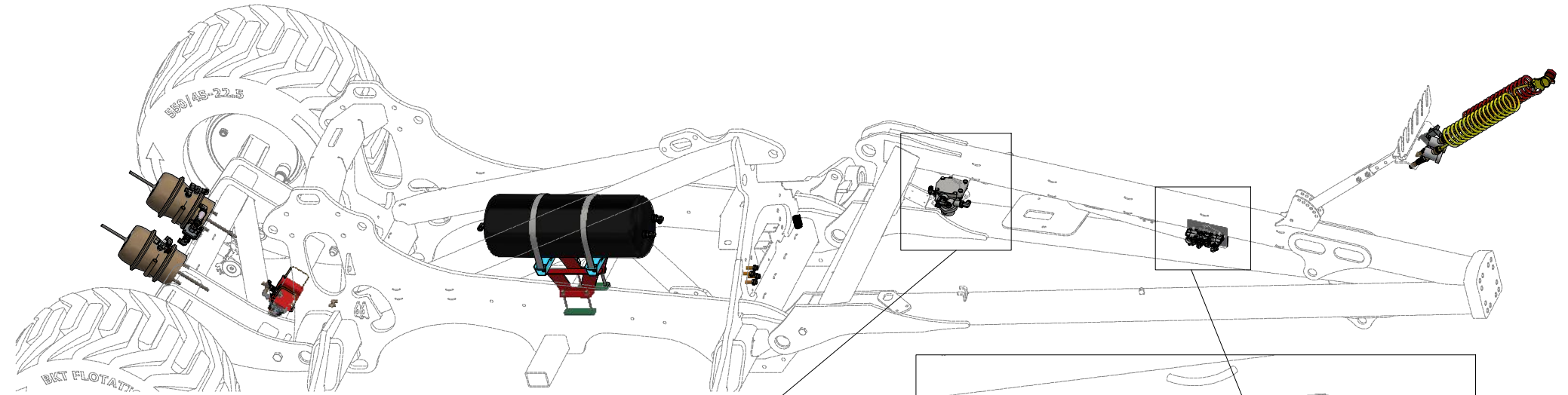
| Pos. | Part Number | Pcs. | Pos. | Part Number | Pcs. |
|------|-------------|------|------|-------------|------|
| 11 | m04503 | 12 | 35 | m11733 | 2 |
| 13 | m05144 | 2 | 36 | m11734 | 1 |
| 16 | m08261 | 7 | 37 | m11735 | 1 |
| 20 | m09789 | 2 | 45 | m19023 | 6 |
| 30 | m09948 | 1 | 61 | m01089 | 2 |
| 31 | m09949 | 1 | | | |

CZ DVOUHADICOVÉ BRZDY
 D ZWEISCHLAUCHBREMSEN
 F FREINS À DEUX FLEXIBLES

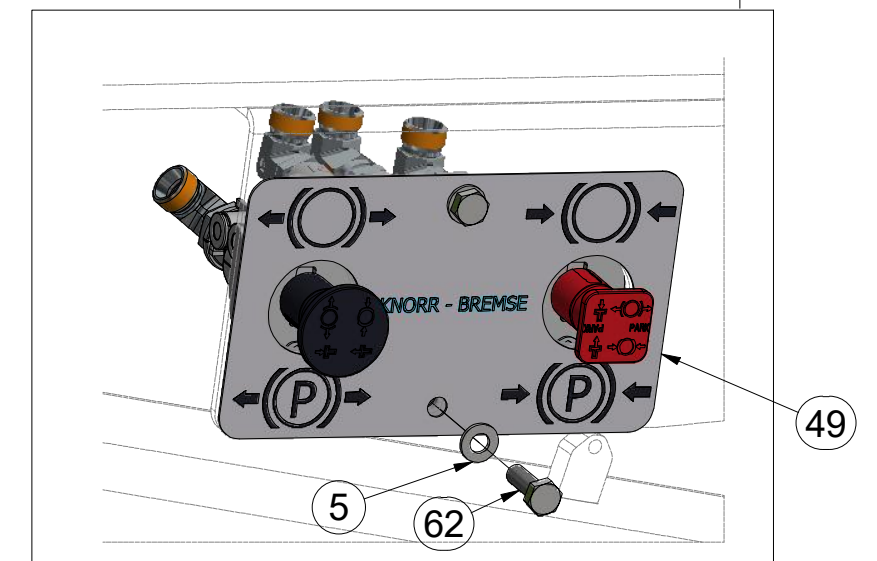
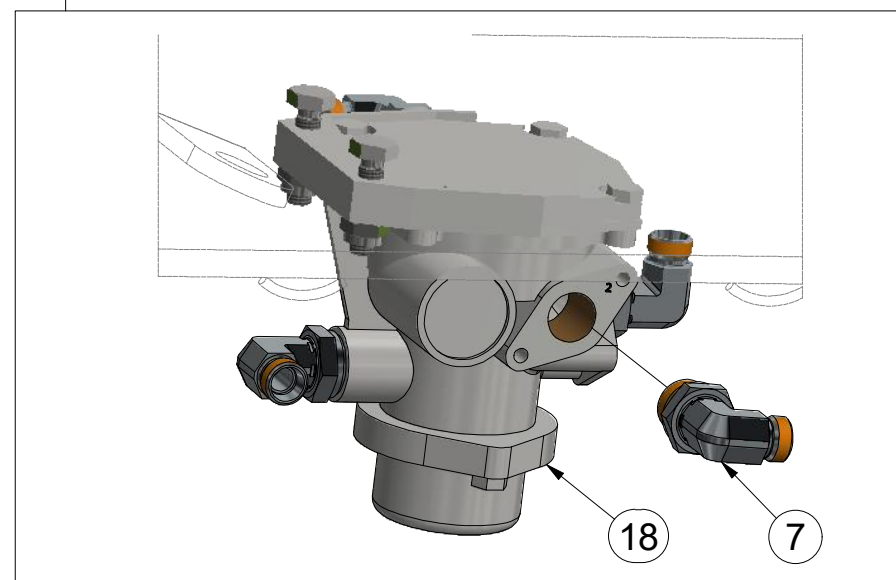
GB DOUBLE-HOSE BRAKES
 RU ДВУХШЛАНГОВЫЕ ТОРМОЗА
 PL HAMULCE DWUPRZEWODOWE



3012613



| Pos. | Part Number | Pcs. |
|------|-------------|------|
| 4 | m01111 | 2 |
| 5 | m01203 | 10 |
| 7 | m02633 | 11 |
| 9 | m03775 | 8 |
| 12 | m04855 | 1 |
| 18 | m09784 | 1 |
| 27 | m09816 | 1 |
| 32 | m10097 | 2 |
| 43 | m18899 | 3 |
| 49 | m19202 | 1 |
| 60 | m07654 | 1 |
| 62 | m01092 | 2 |



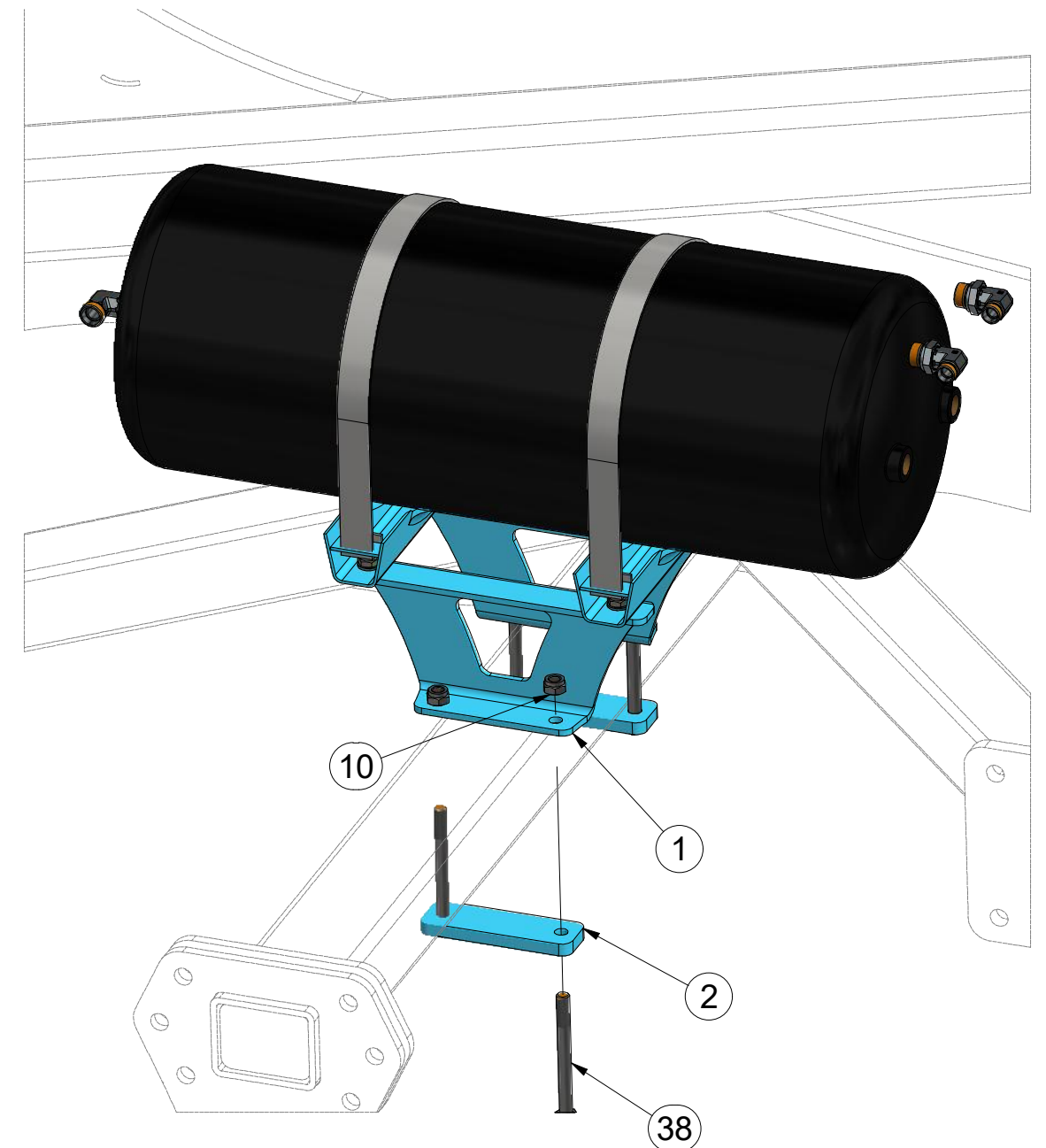
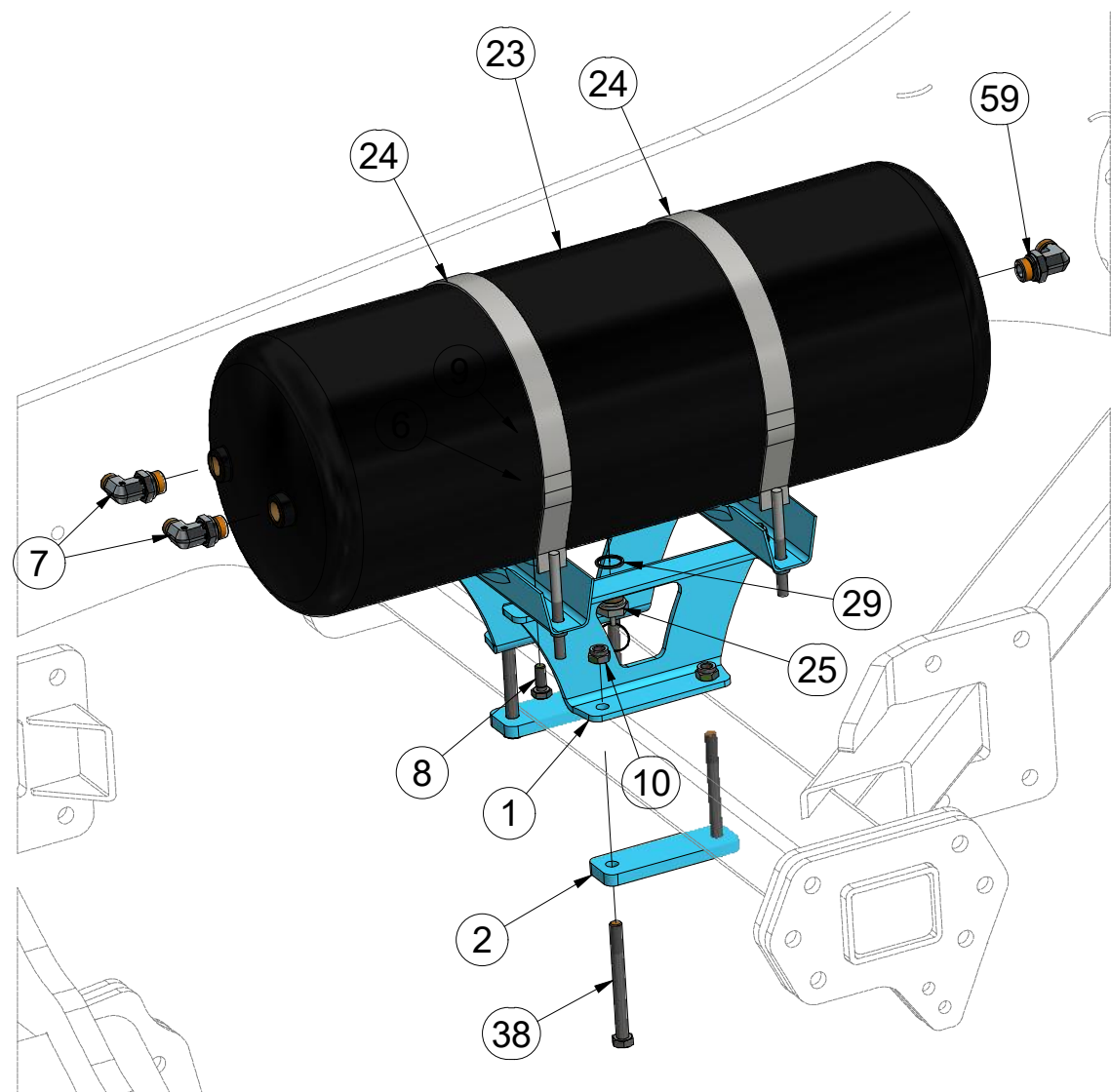
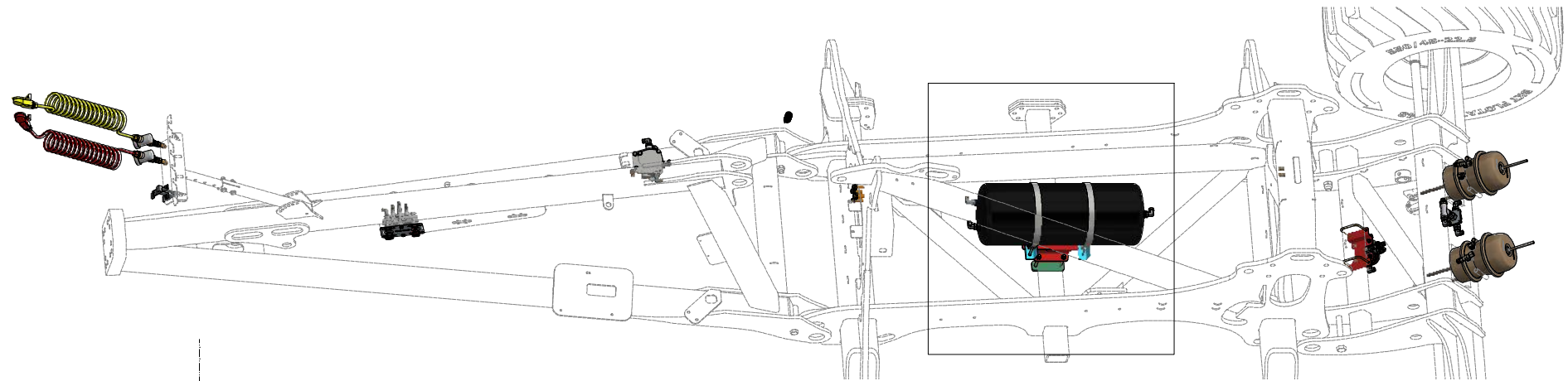
- Ⓒ DVOUHADICOVÉ BRZDY
- Ⓓ ZWEISCHLAUCHBREMSSEN
- Ⓕ FREINS À DEUX FLEXIBLES

- Ⓖ DOUBLE-HOSE BRAKES
- Ⓡ ДВУХШЛАНГОВЫЕ ТОРМОЗА
- Ⓟ HAMULCE DWUPRZEWODOWE



3012613

| Pos. | Part Number | Pcs. | Pos. | Part Number | Pcs. |
|------|-------------|------|------|-------------|------|
| 1 | 4022418 | 2 | 23 | m09795 | 1 |
| 2 | 4022419 | 2 | 24 | m09796 | 2 |
| 6 | m01209 | 6 | 25 | m09797 | 1 |
| 7 | m02633 | 11 | 29 | m09818 | 3 |
| 8 | m03681 | 4 | 38 | m13467 | 4 |
| 9 | m03775 | 8 | 59 | m03896 | 2 |
| 10 | m04301 | 4 | | | |

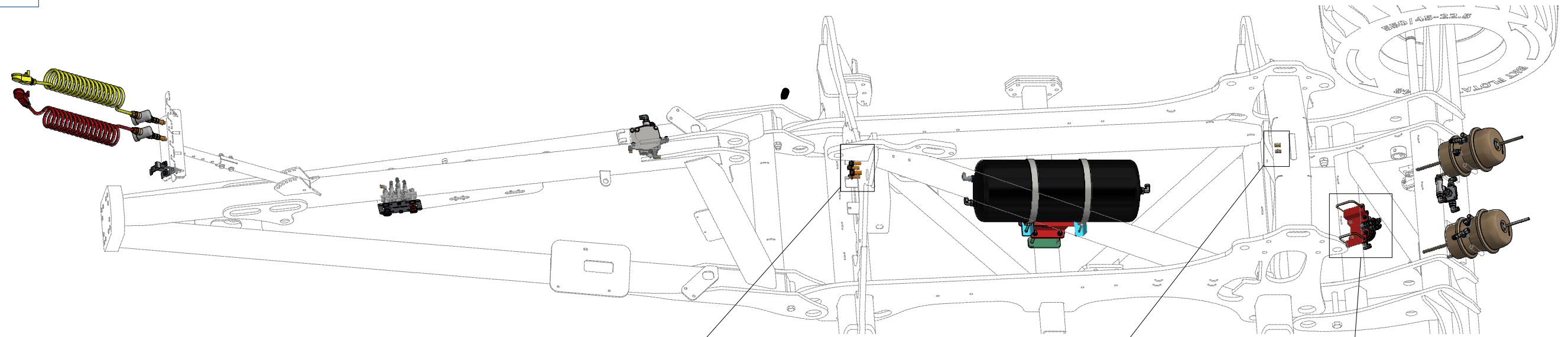


CZ DVOUHADICOVÉ BRZDY
 D ZWEISCHLAUCHBREMSEN
 F FREINS À DEUX FLEXIBLES

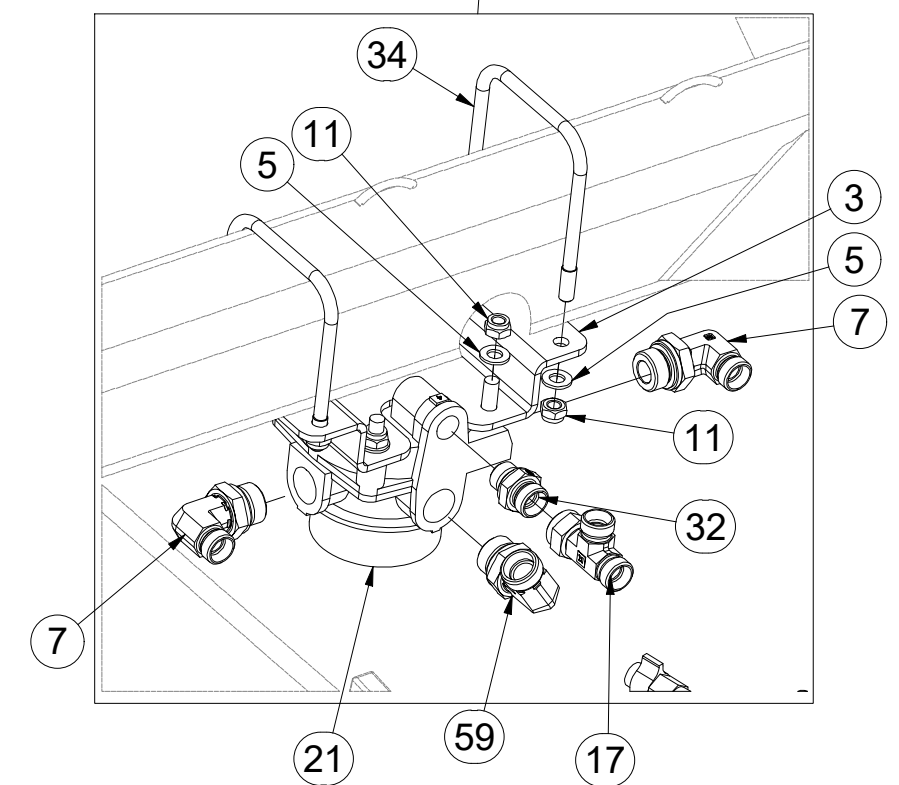
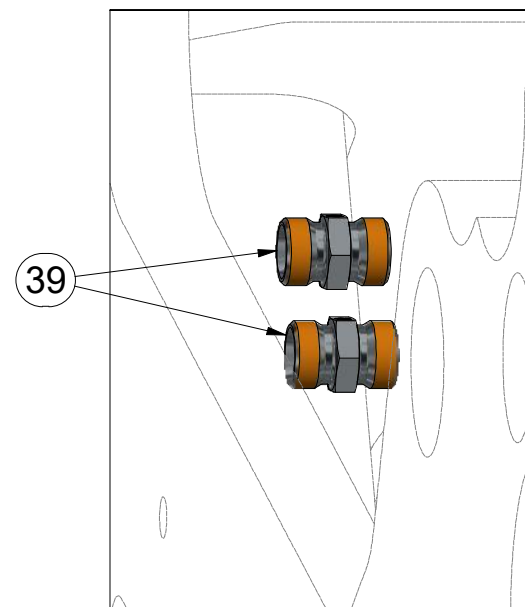
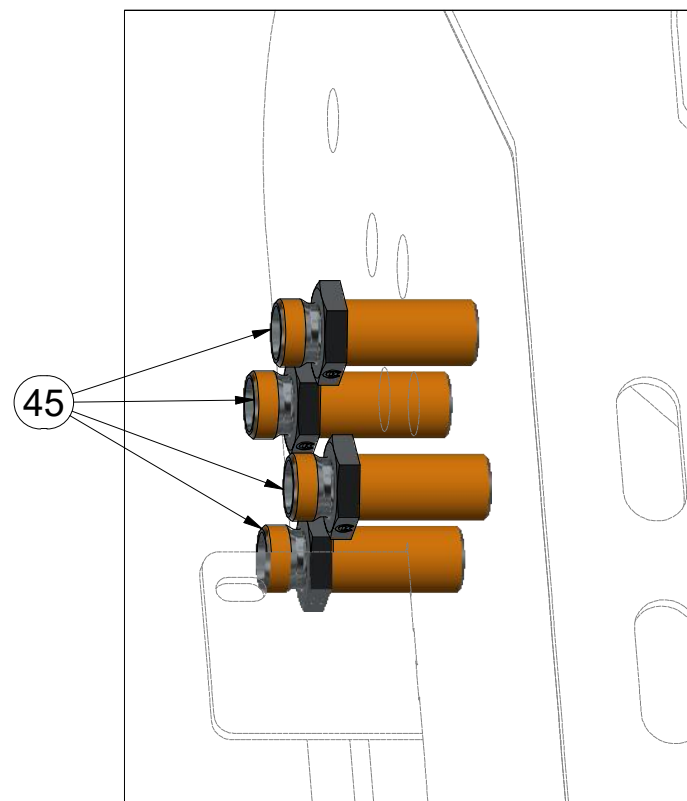
GB DOUBLE-HOSE BRAKES
 RU ДВУХШЛАНГОВЫЕ ТОРМОЗА
 PL HAMULCE DWUPRZEWODOWE



3012613



| Pos. | Part Number | Pcs. |
|------|-------------|------|
| 3 | 4025655 | 1 |
| 5 | m01203 | 10 |
| 7 | m02633 | 11 |
| 11 | m04503 | 12 |
| 17 | m08299 | 1 |
| 21 | m09790 | 1 |
| 32 | m10097 | 2 |
| 34 | m10619 | 2 |
| 39 | m16910 | 2 |
| 45 | m19023 | 6 |
| 59 | m03896 | 2 |

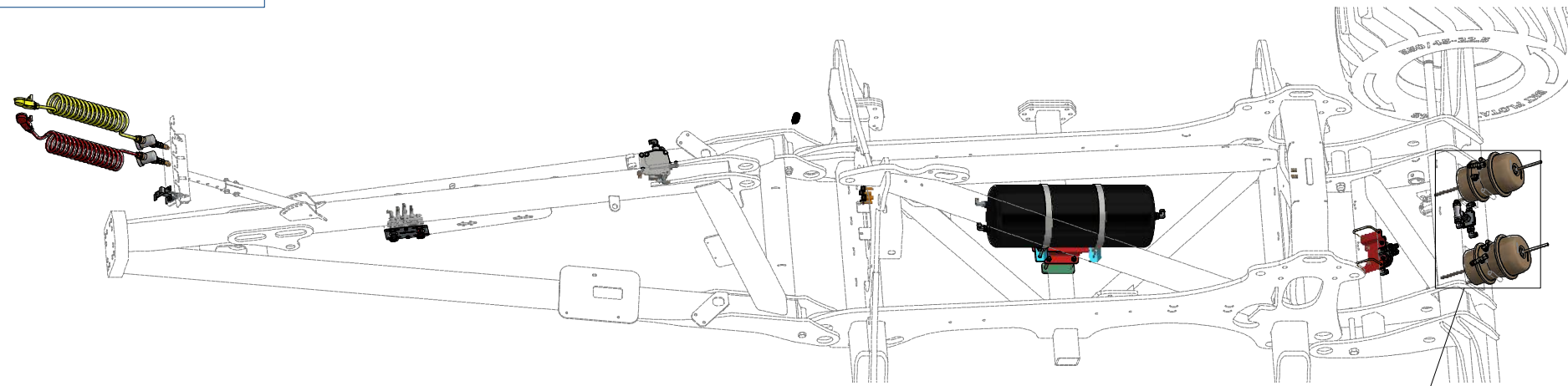


CZ DVOUHADICOVÉ BRZDY
 D ZWEISCHLAUCHBREMSEN
 F FREINS À DEUX FLEXIBLES

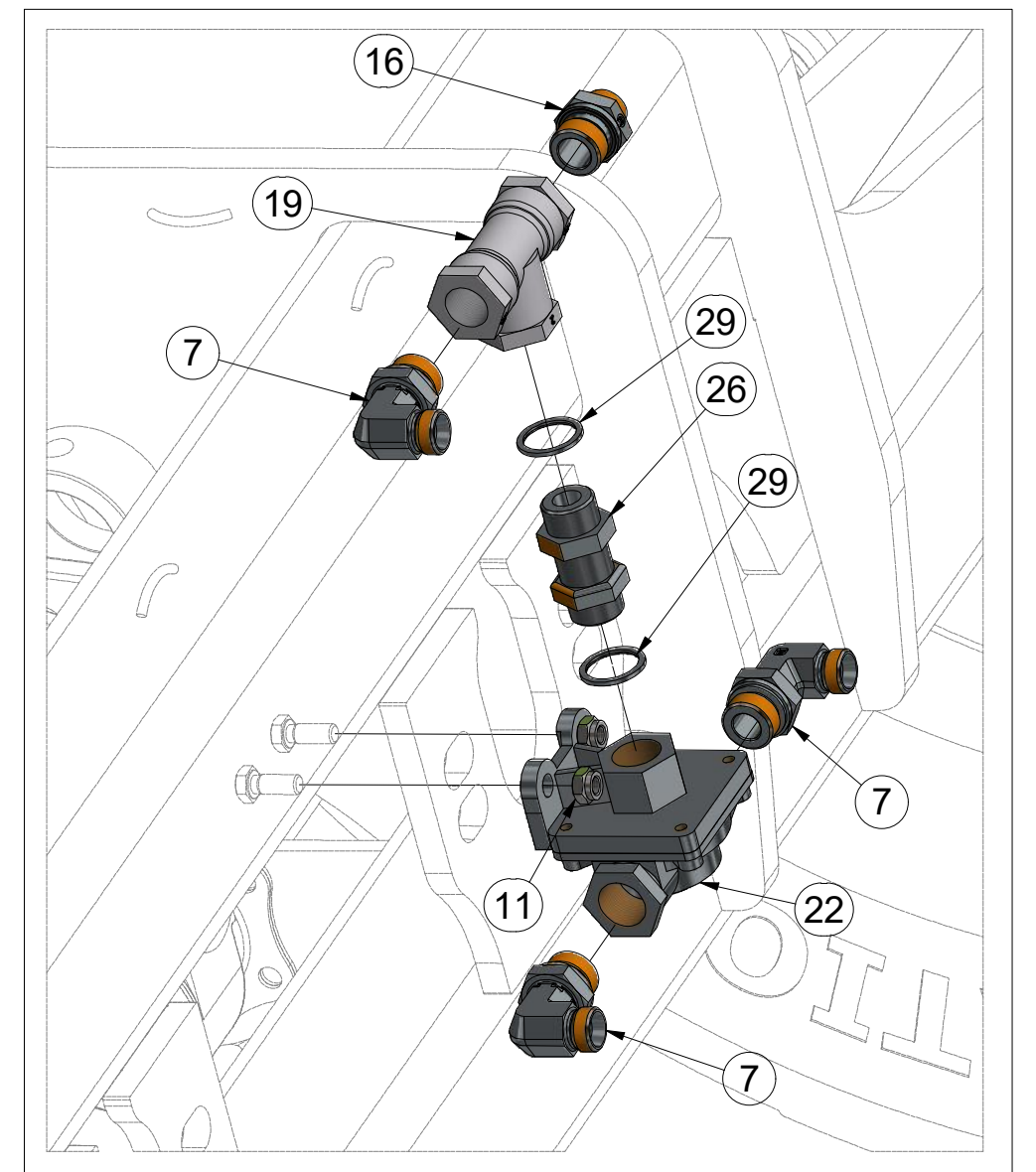
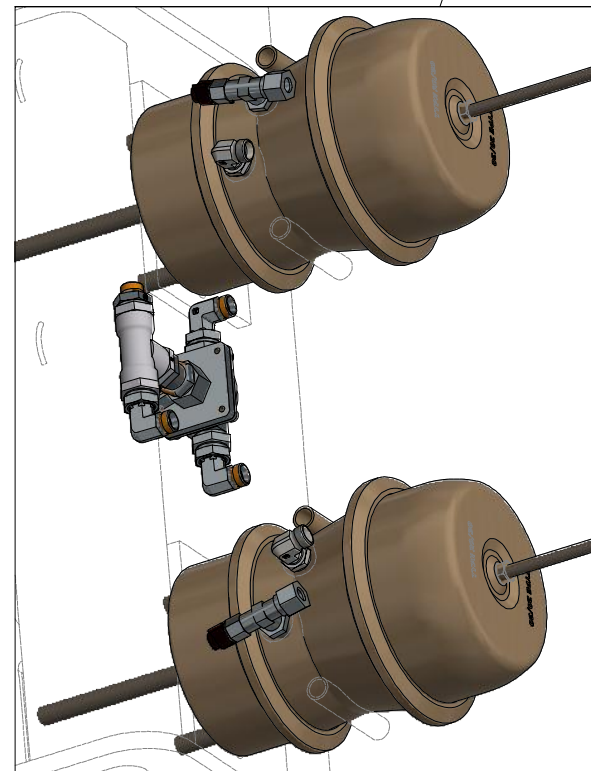
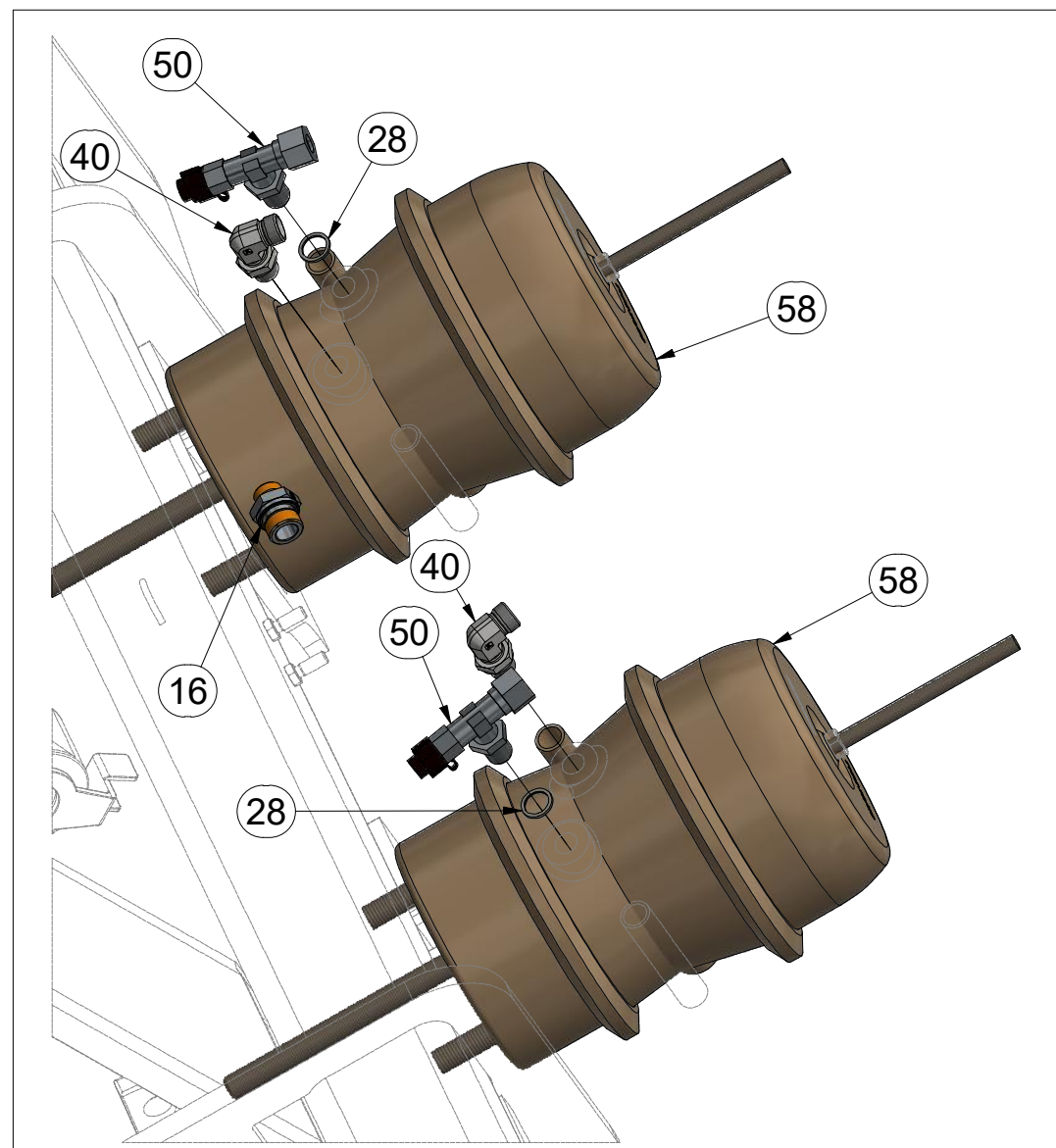
GB DOUBLE-HOSE BRAKES
 RU ДВУХШЛАНГОВЫЕ ТОРМОЗА
 PL HAMULCE DWUPRZEWODOWE



3012613



| Pos. | Part Number | Pcs. | Pos. | Part Number | Pcs. |
|------|-------------|------|------|-------------|------|
| 7 | m02633 | 11 | 28 | m09817 | 2 |
| 11 | m04503 | 12 | 29 | m09818 | 3 |
| 16 | m08261 | 7 | 40 | m17575 | 2 |
| 19 | m09785 | 1 | 50 | m19244 | 2 |
| 22 | m09791 | 1 | 58 | VZ00005631 | 2 |
| 26 | m09810 | 1 | | | |

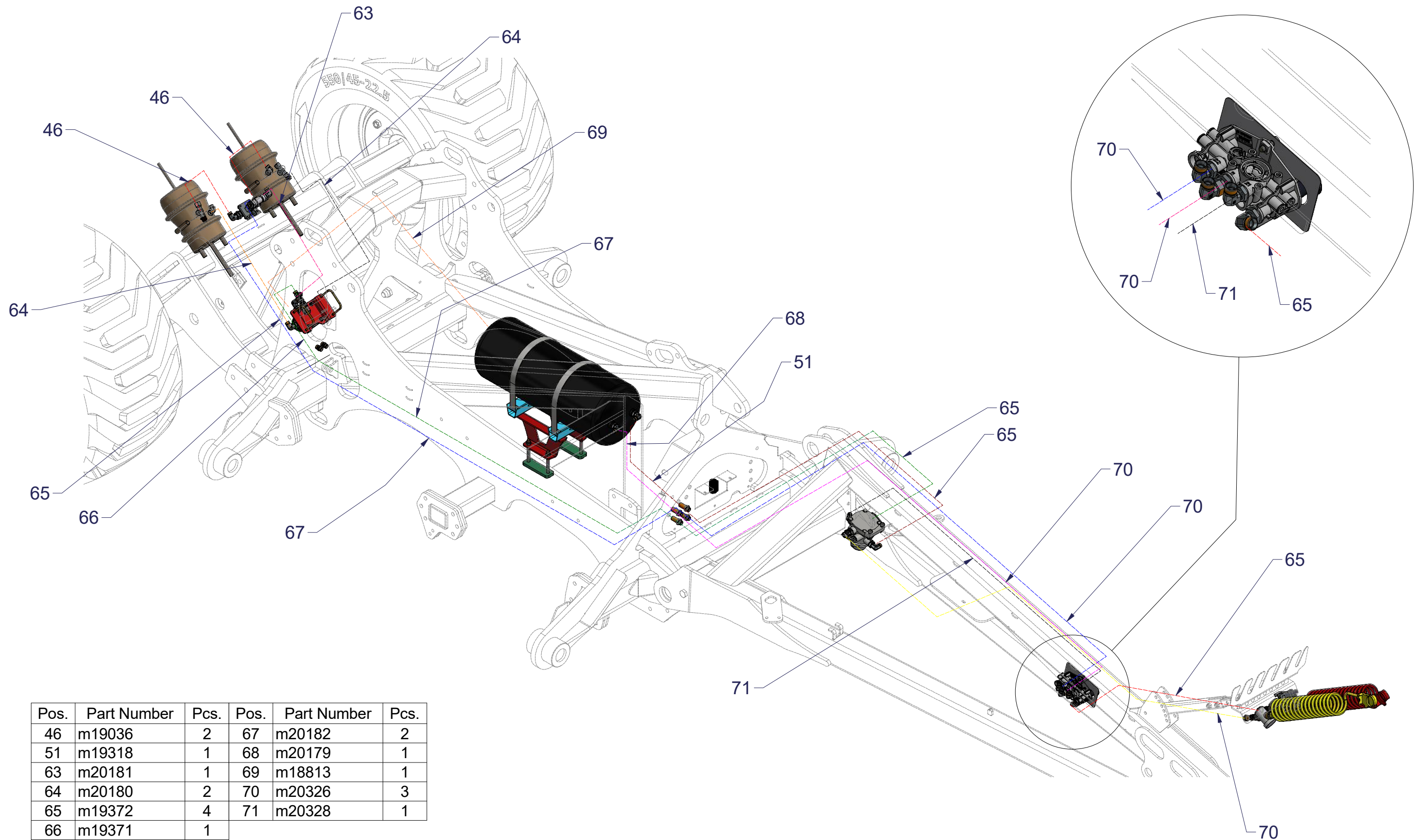


CZ DVOUHADICOVÉ BRZDY
 D ZWEISCHLAUCHBREMSEN
 F FREINS À DEUX FLEXIBLES

GB DOUBLE-HOSE BRAKES
 RU ДВУХШЛАНГОВЫЕ ТОРМОЗА
 PL HAMULCE DWUPRZEWODOWE



3012613



| Pos. | Part Number | Pcs. | Pos. | Part Number | Pcs. |
|------|-------------|------|------|-------------|------|
| 46 | m19036 | 2 | 67 | m20182 | 2 |
| 51 | m19318 | 1 | 68 | m20179 | 1 |
| 63 | m20181 | 1 | 69 | m18813 | 1 |
| 64 | m20180 | 2 | 70 | m20326 | 3 |
| 65 | m19372 | 4 | 71 | m20328 | 1 |
| 66 | m19371 | 1 | | | |

ⒸZ HYDRAULIKA STROJE

Ⓓ HYDRAULIK DER MASCHINE

Ⓕ HYDRAULIQUE DE LA MACHINE

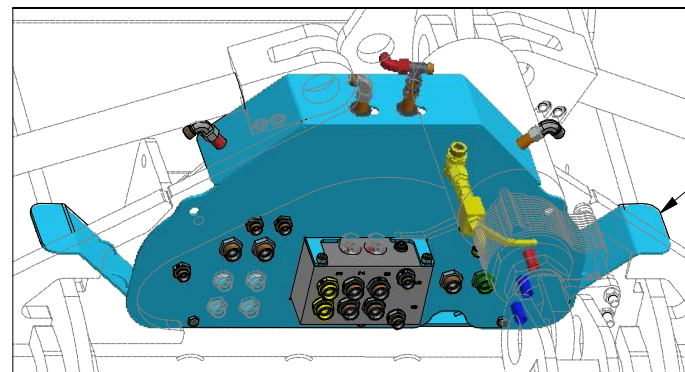
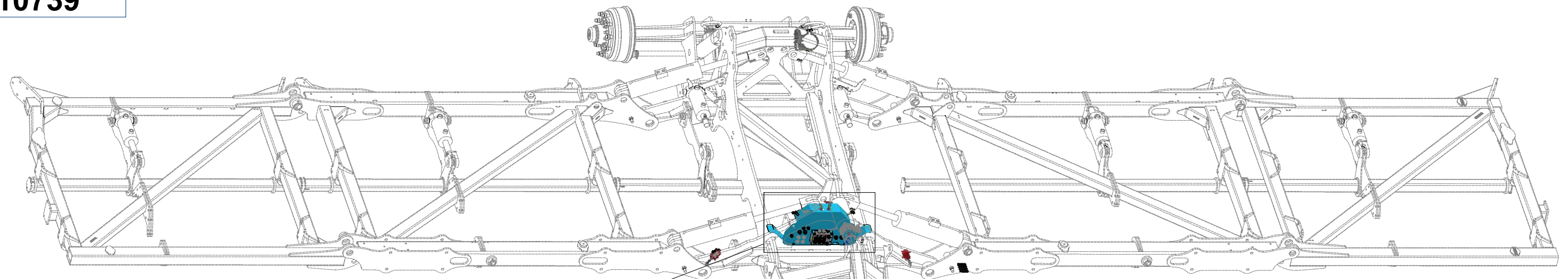
ⒼB MACHINE HYDRAULICS

Ⓔ RU ГИДРАВЛИКА МАШИНЫ

Ⓗ PL HYDRAULIKA MASZYNY

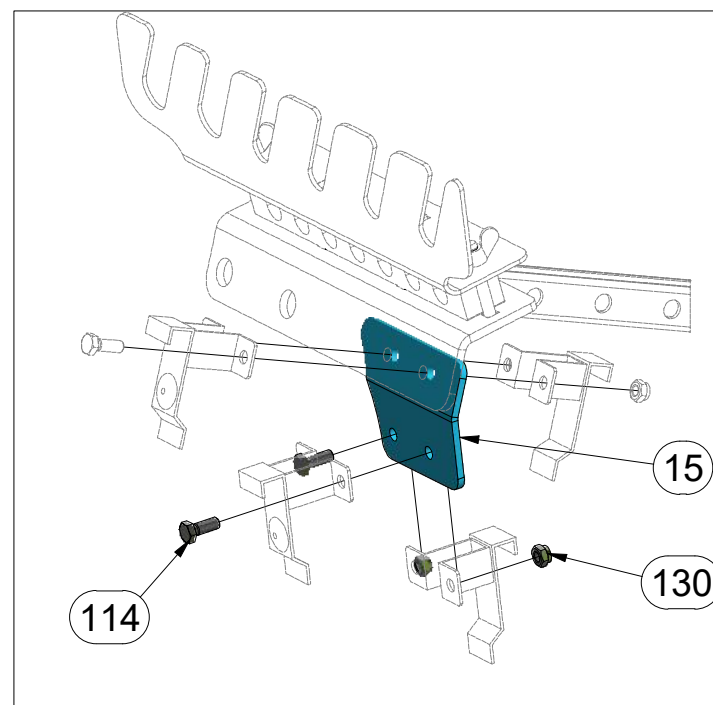


VZ00010739



143

4

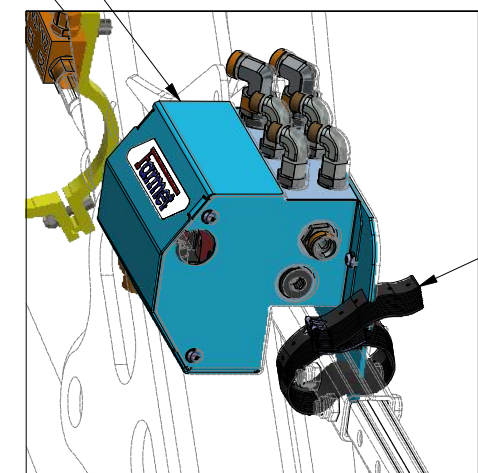


114

130

15

1



141

| Pos. | Part Number | Pcs. |
|------|-------------|------|
| 1 | VZ00010473 | 1 |
| 4 | VZ00009242 | 1 |
| 15 | VZ00010600 | 1 |
| 114 | m01089 | 2 |
| 130 | m04503 | 8 |
| 141 | m20319 | 10 |
| 143 | VZ00002842 | 1 |

ⒸZ HYDRAULICKÝ ROZVOD - ZAHLUBOVÁNÍ

Ⓓ HYDRAULISCHE VERTEILUNG - EINSENKUNG

Ⓕ CONDUIT HYDRAULIQUE - L'ENFONCEMENT

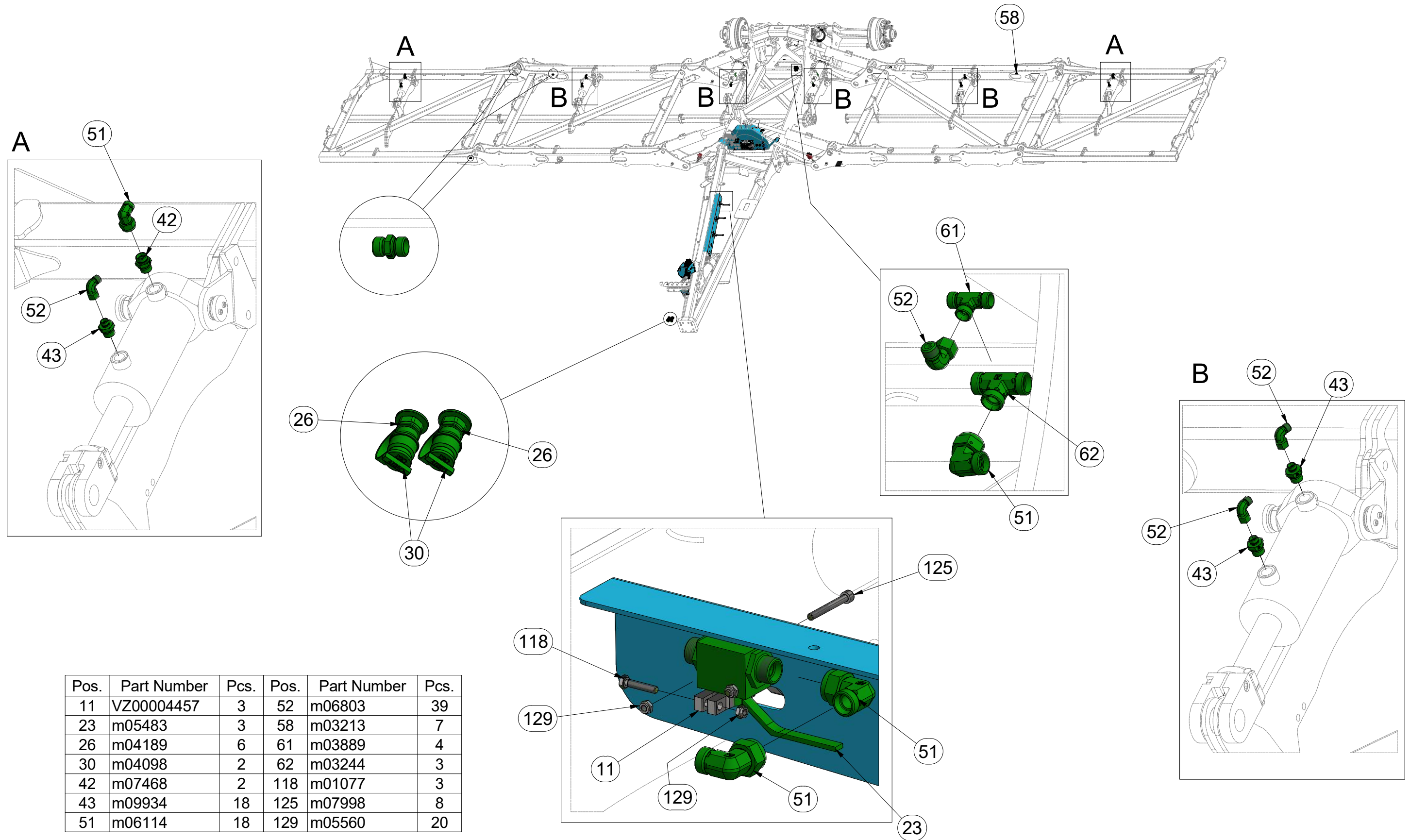
ⒸB HYDRAULIC DISTRIBUTION - RECESSING

ⒸU ГИДРАВЛИЧЕСКОЕ РАСПРЕДЕЛЕНИЕ - ЗАГЛУБЛЕНИЕ

ⒸL HYDRAULICZNY PRZEWÓD - ZAGŁĘBIENIA

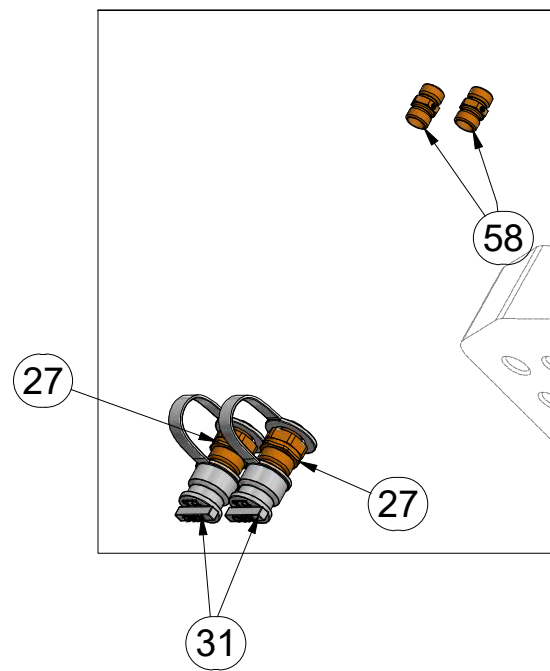
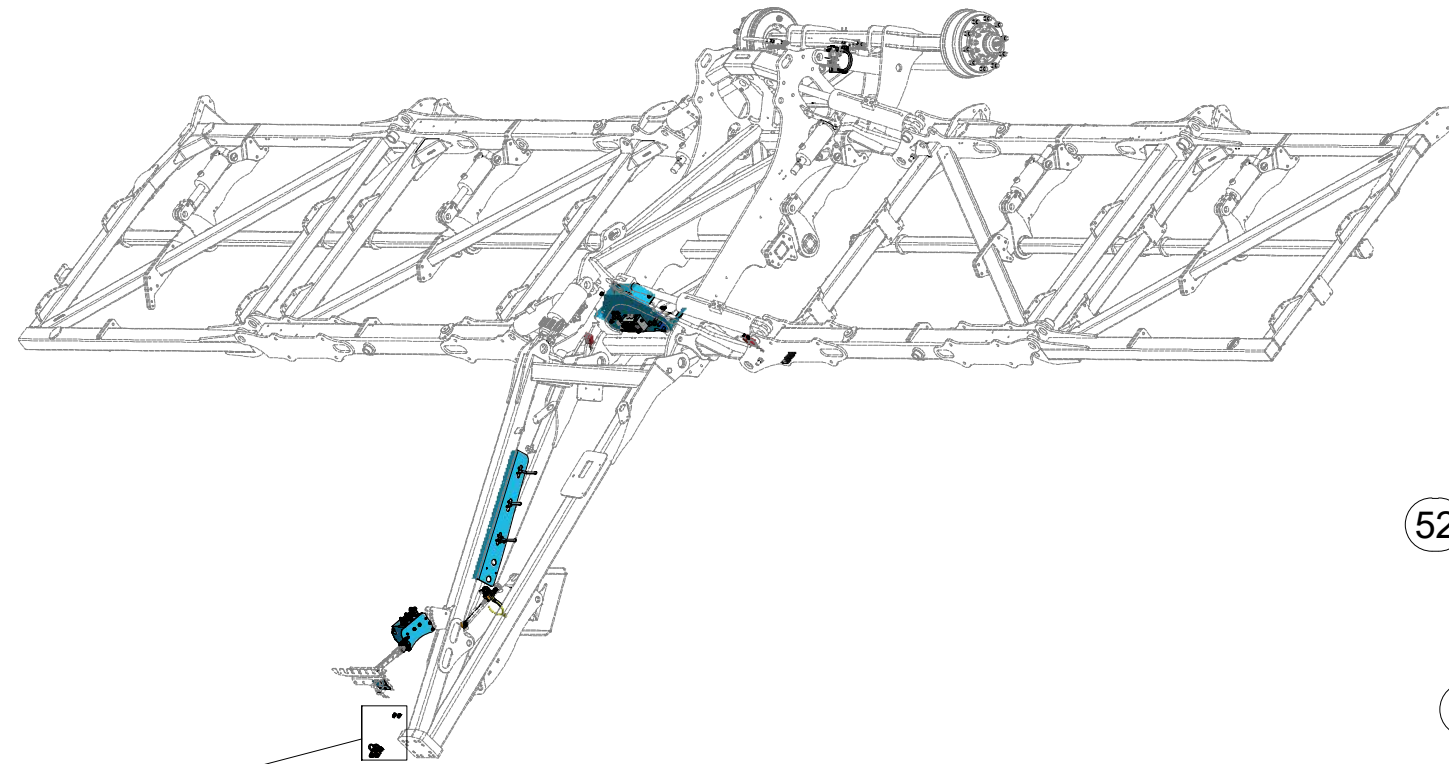


VZ00010739

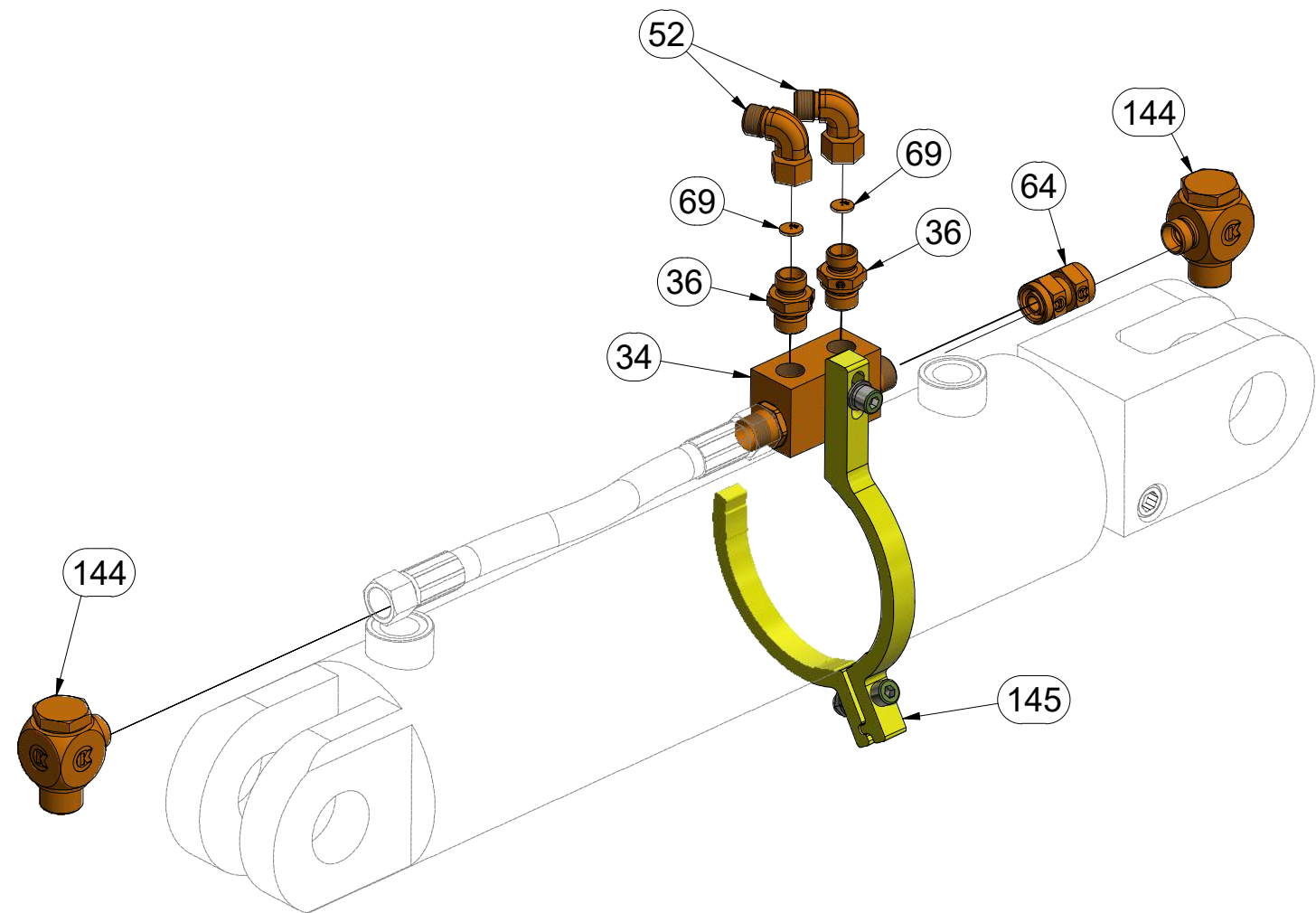


| Pos. | Part Number | Pcs. | Pos. | Part Number | Pcs. |
|------|-------------|------|------|-------------|------|
| 11 | VZ00004457 | 3 | 52 | m06803 | 39 |
| 23 | m05483 | 3 | 58 | m03213 | 7 |
| 26 | m04189 | 6 | 61 | m03889 | 4 |
| 30 | m04098 | 2 | 62 | m03244 | 3 |
| 42 | m07468 | 2 | 118 | m01077 | 3 |
| 43 | m09934 | 18 | 125 | m07998 | 8 |
| 51 | m06114 | 18 | 129 | m05560 | 20 |

VZ00010739



| Pos. | Part Number | Pcs. |
|------|-------------|------|
| 52 | m06803 | 39 |
| 36 | m06528 | 10 |
| 27 | m03849 | 2 |
| 58 | m03213 | 7 |
| 31 | m04034 | 2 |
| 69 | m10774 | 2 |
| 64 | m05144 | 3 |
| 34 | m08083 | 5 |
| 144 | m20912 | 2 |
| 145 | VZ00009944 | 1 |



ⒸZ HYDRAULICKÝ ROZVOD NÁPRAVY

Ⓓ HYDRAULISCHE VERTEILUNG ACHSE

Ⓕ CONDUIT HYDRAULIQUE DE L'ESSIEU

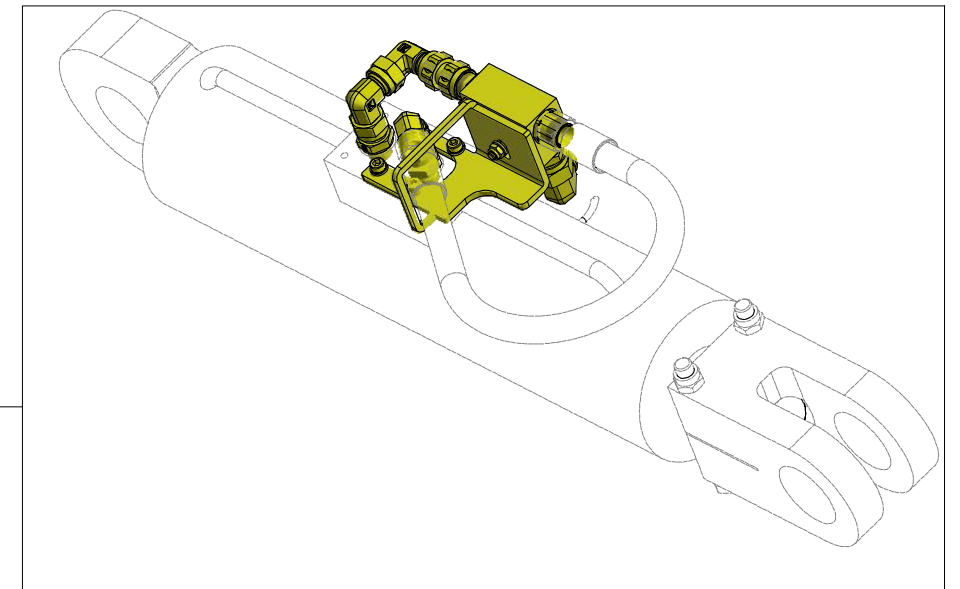
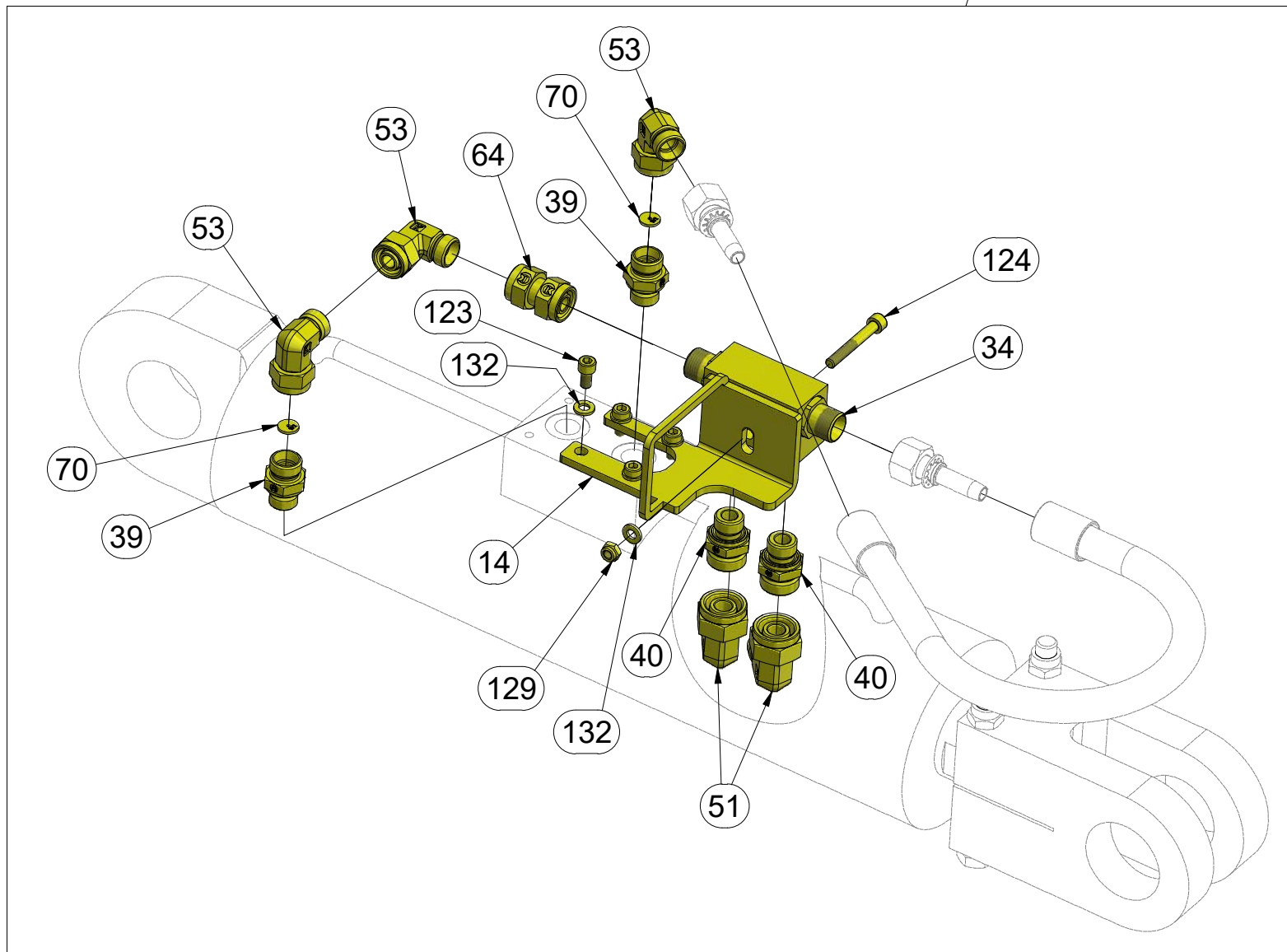
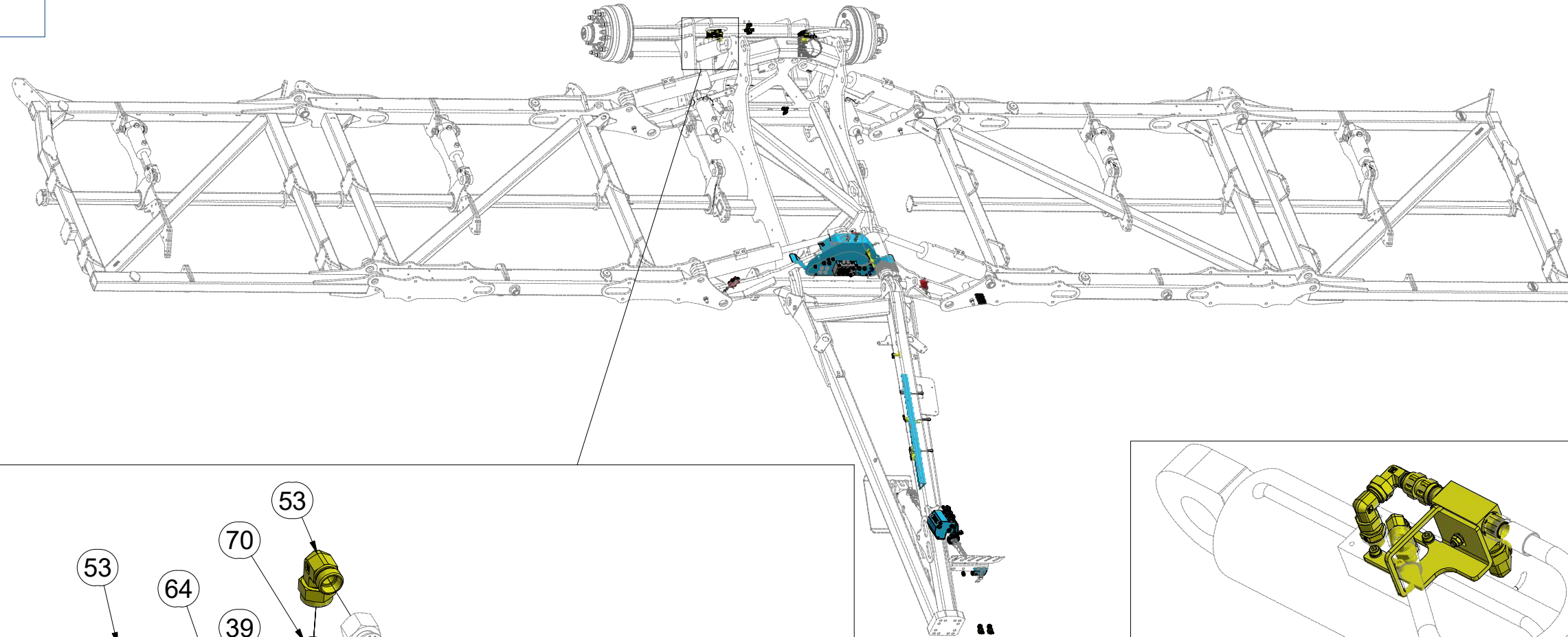
ⒼB HYDRAULIC AXLE DISTRIBUTION

Ⓔ RU ГИДРАВЛИЧЕСКОЕ РАСПРЕДЕЛЕНИЕ ОСИ

ⒼL HYDRAULICZNY PRZEWÓD OSI



VZ00010739



| Pos. | Part Number | Pcs. | Pos. | Part Number | Pcs. |
|------|-------------|------|------|-------------|------|
| 14 | VZ00010322 | 1 | 64 | m05144 | 3 |
| 34 | m08083 | 5 | 70 | m10762 | 4 |
| 39 | m10097 | 4 | 123 | m05581 | 8 |
| 40 | m07191 | 6 | 124 | m09935 | 2 |
| 51 | m06114 | 18 | 129 | m05560 | 20 |
| 53 | m07654 | 10 | 132 | m01199 | 12 |

ⒸZ HYDRAULICKÝ ROZVOD NÁPRAVY

Ⓓ HYDRAULISCHE VERTEILUNG ACHSE

Ⓕ CONDUIT HYDRAULIQUE DE L'ESSIEU

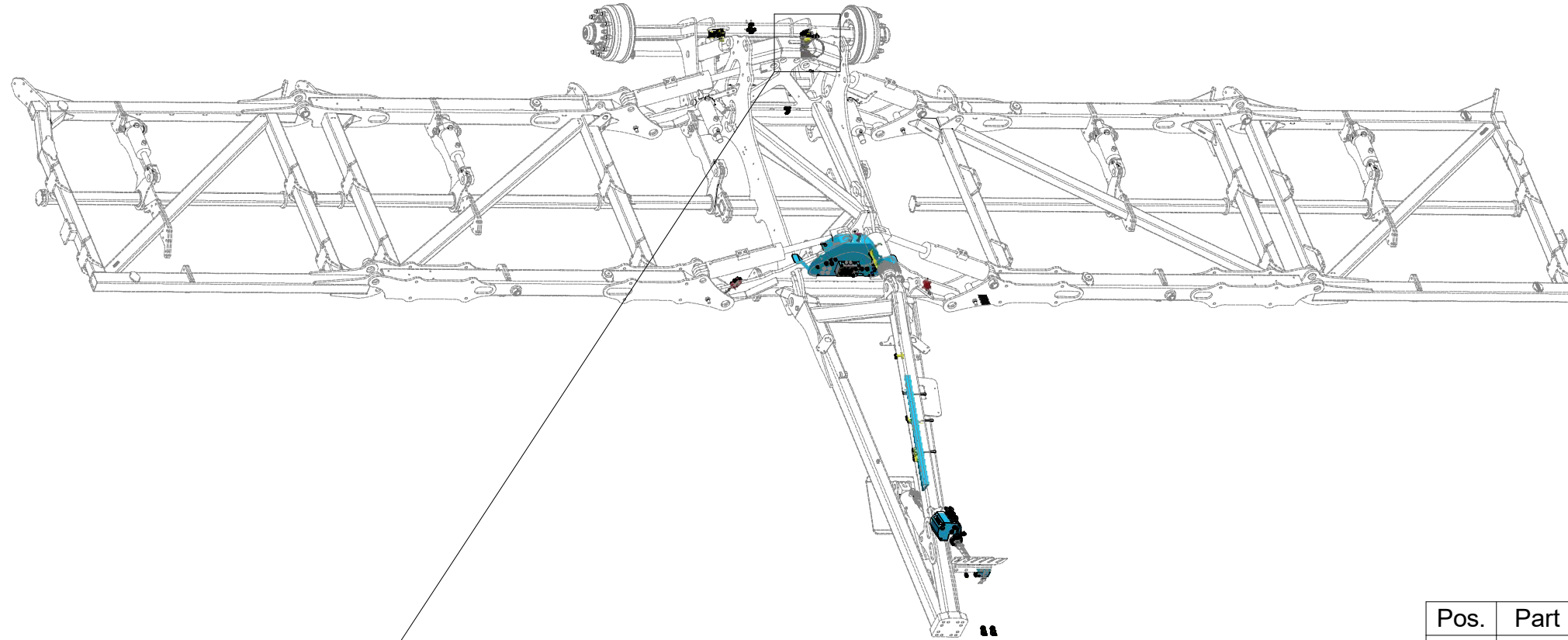
ⒼB HYDRAULIC AXLE DISTRIBUTION

Ⓔ RU ГИДРАВЛИЧЕСКОЕ РАСПРЕДЕЛЕНИЕ ОСИ

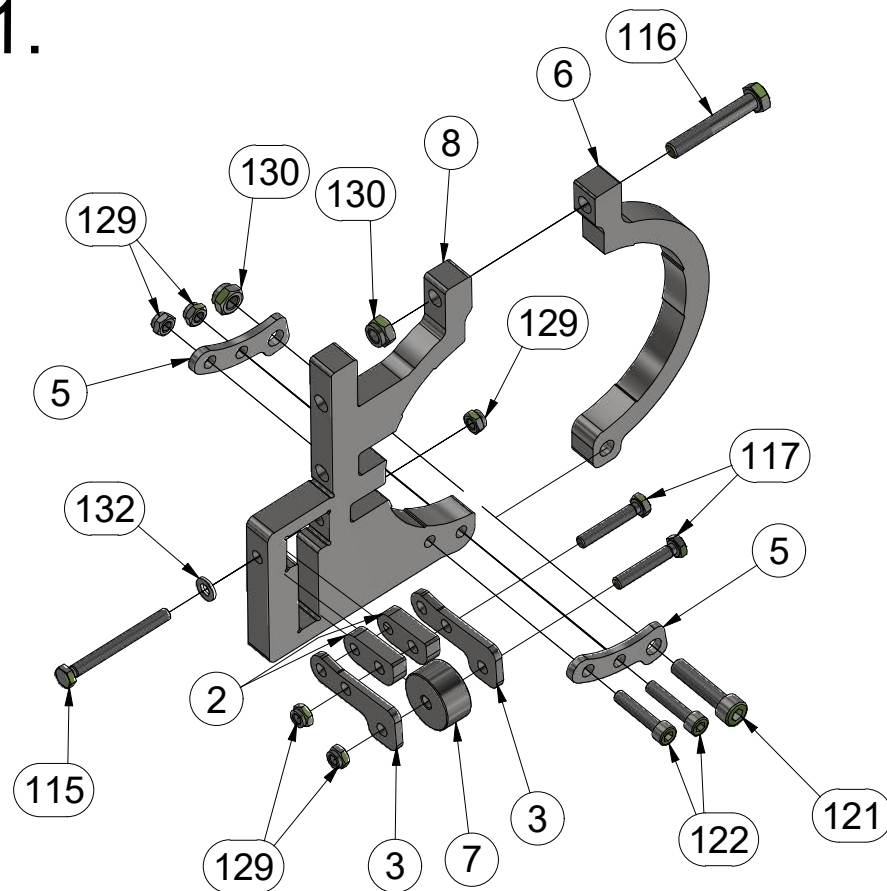
Ⓖ PL HYDRAULICZNY PRZEWÓD OSI



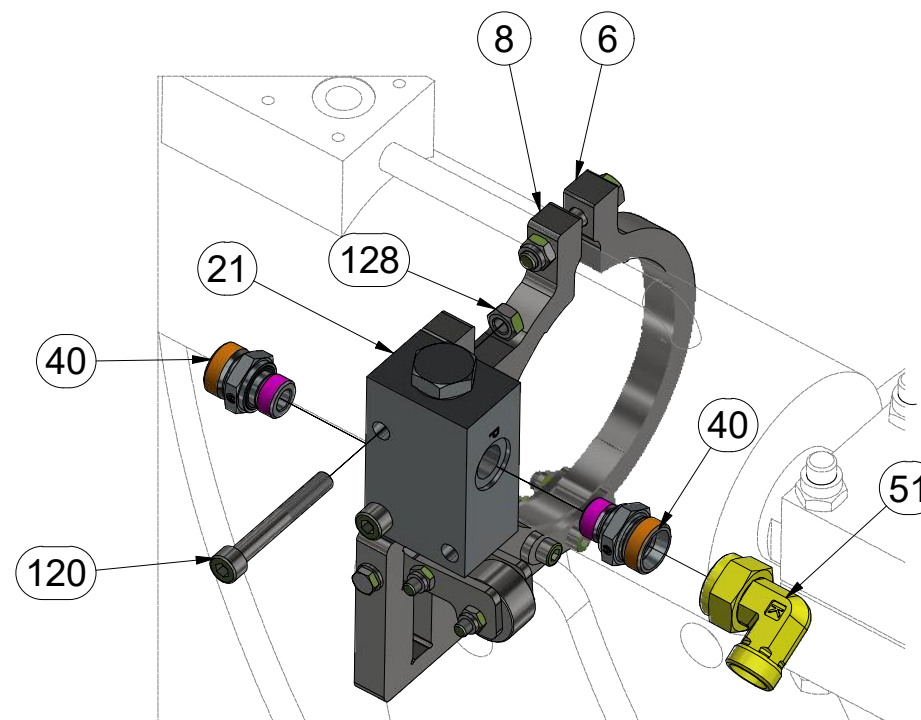
VZ00010739



1.



2.



| Pos. | Part Number | Pcs. |
|------|-------------|------|
| 2 | 4023540 | 2 |
| 3 | 4023542 | 2 |
| 5 | 4025898 | 2 |
| 6 | 4026172 | 1 |
| 7 | VZ00002105 | 1 |
| 8 | VZ00002106 | 1 |
| 21 | m10261 | 3 |
| 40 | m07191 | 6 |
| 51 | m06114 | 18 |
| 115 | m13696 | 1 |
| 116 | m09296 | 1 |
| 117 | m04650 | 2 |
| 120 | m13471 | 2 |
| 121 | m09464 | 1 |
| 122 | m06101 | 2 |
| 128 | m01296 | 2 |
| 129 | m05560 | 20 |
| 130 | m04503 | 8 |
| 132 | m01199 | 12 |

ⒸZ HYDRAULICKÝ ROZVOD NÁPRAVY

Ⓓ HYDRAULISCHE VERTEILUNG ACHSE

Ⓕ CONDUIT HYDRAULIQUE DE L'ESSIEU

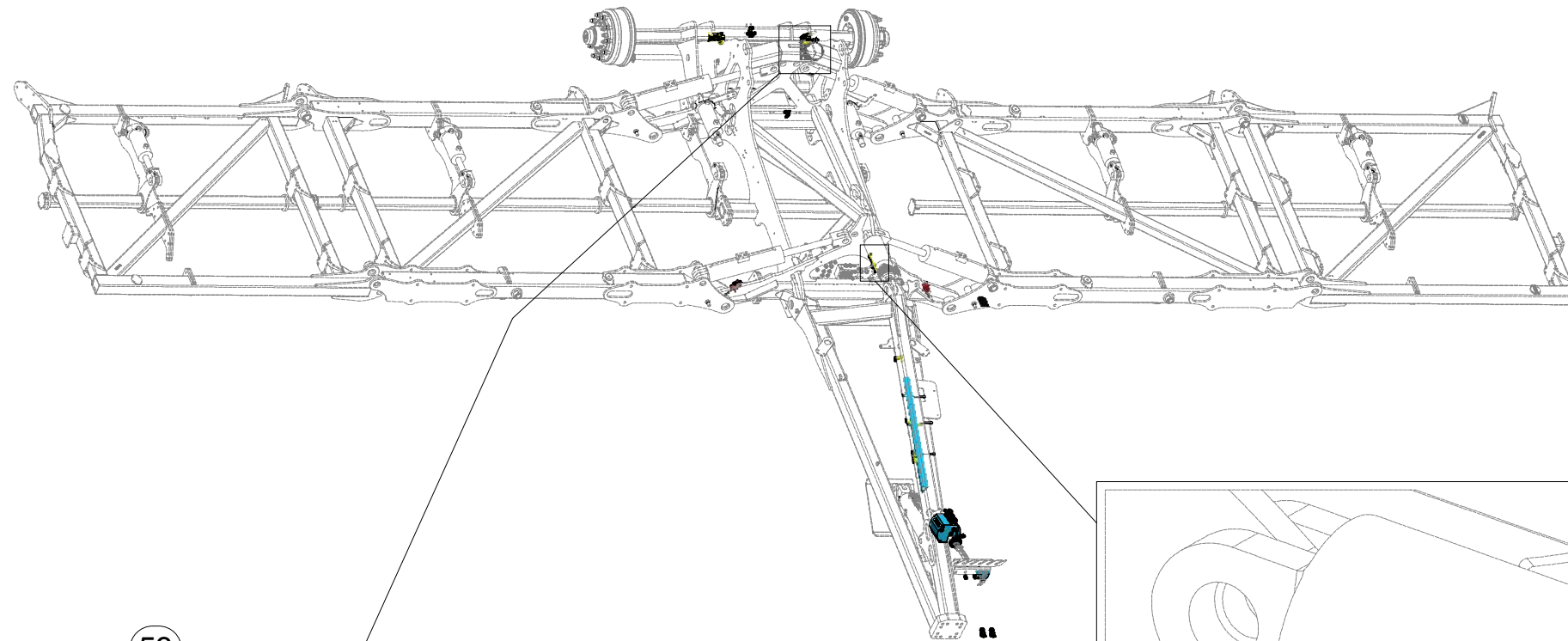
ⒸB HYDRAULIC AXLE DISTRIBUTION

ⒸR ГИДРАВЛИЧЕСКОЕ РАСПРЕДЕЛЕНИЕ ОСИ

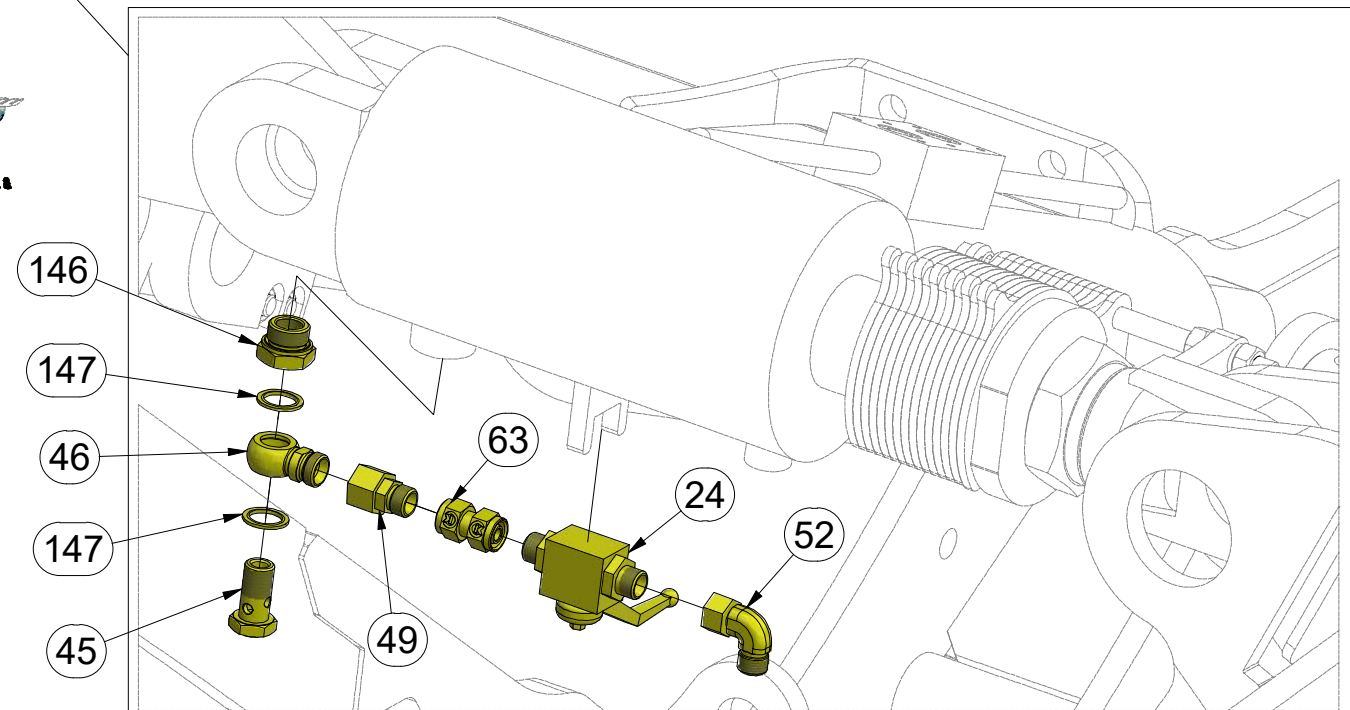
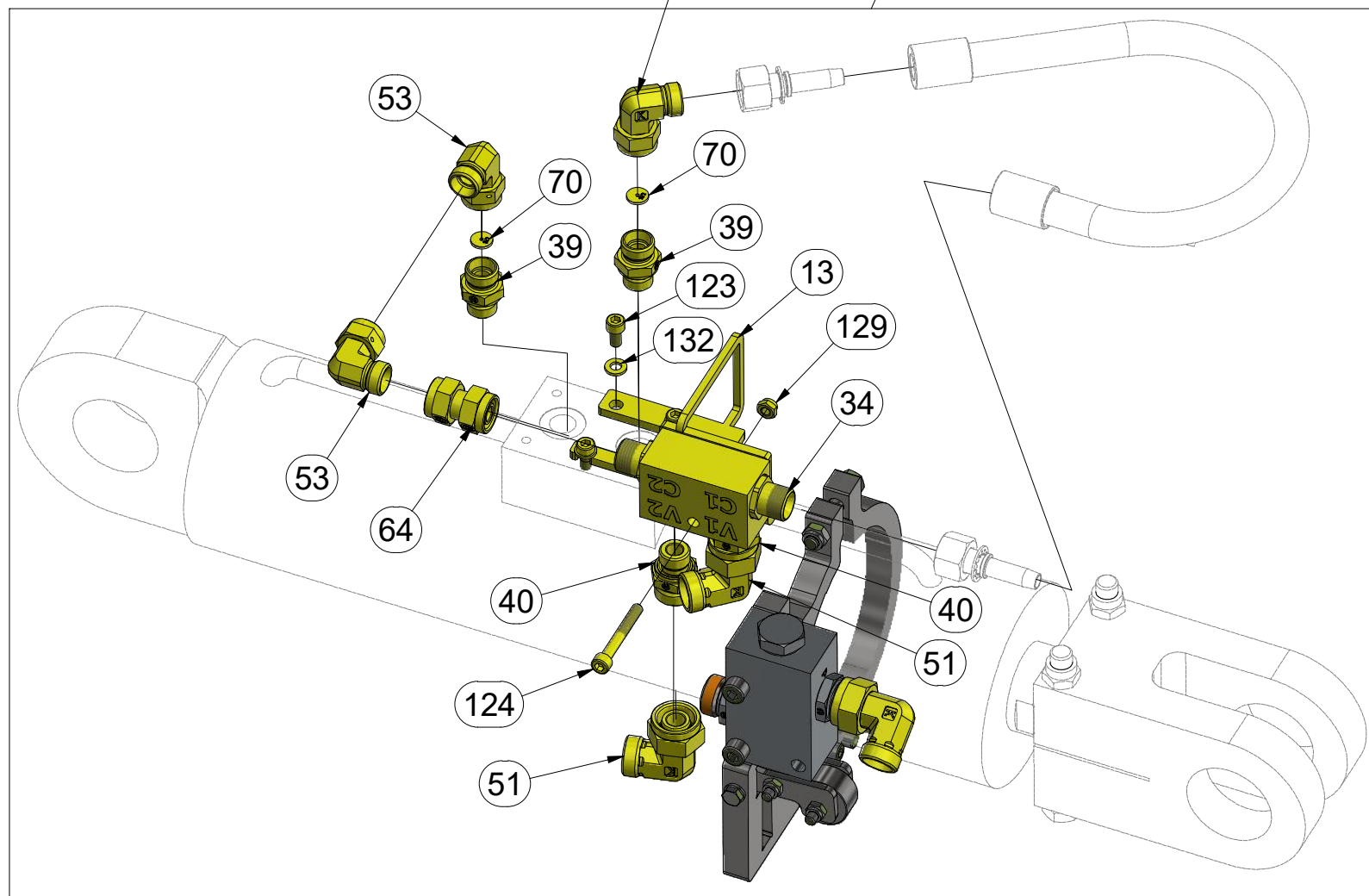
ⒸL HYDRAULICZNY PRZEWÓD OSI



VZ00010739



3.



| Pos. | Part Number | Pcs. | Pos. | Part Number | Pcs. |
|------|-------------|------|------|-------------|------|
| 13 | VZ00010321 | 1 | 53 | m07654 | 10 |
| 24 | m19385 | 1 | 63 | m05212 | 9 |
| 34 | m08083 | 5 | 64 | m05144 | 3 |
| 39 | m10097 | 4 | 70 | m10762 | 4 |
| 40 | m07191 | 6 | 123 | m05581 | 8 |
| 45 | m08460 | 5 | 124 | m09935 | 2 |
| 46 | m08461 | 5 | 129 | m05560 | 20 |
| 49 | m09986 | 1 | 132 | m01199 | 12 |
| 51 | m06114 | 18 | 146 | m08462 | 1 |
| 52 | m06803 | 39 | 147 | m12442 | 2 |

ⒸZ HYDRAULICKÝ ROZVOD NÁPRAVY

Ⓓ HYDRAULISCHE VERTEILUNG ACHSE

Ⓕ CONDUIT HYDRAULIQUE DE L'ESSIEU

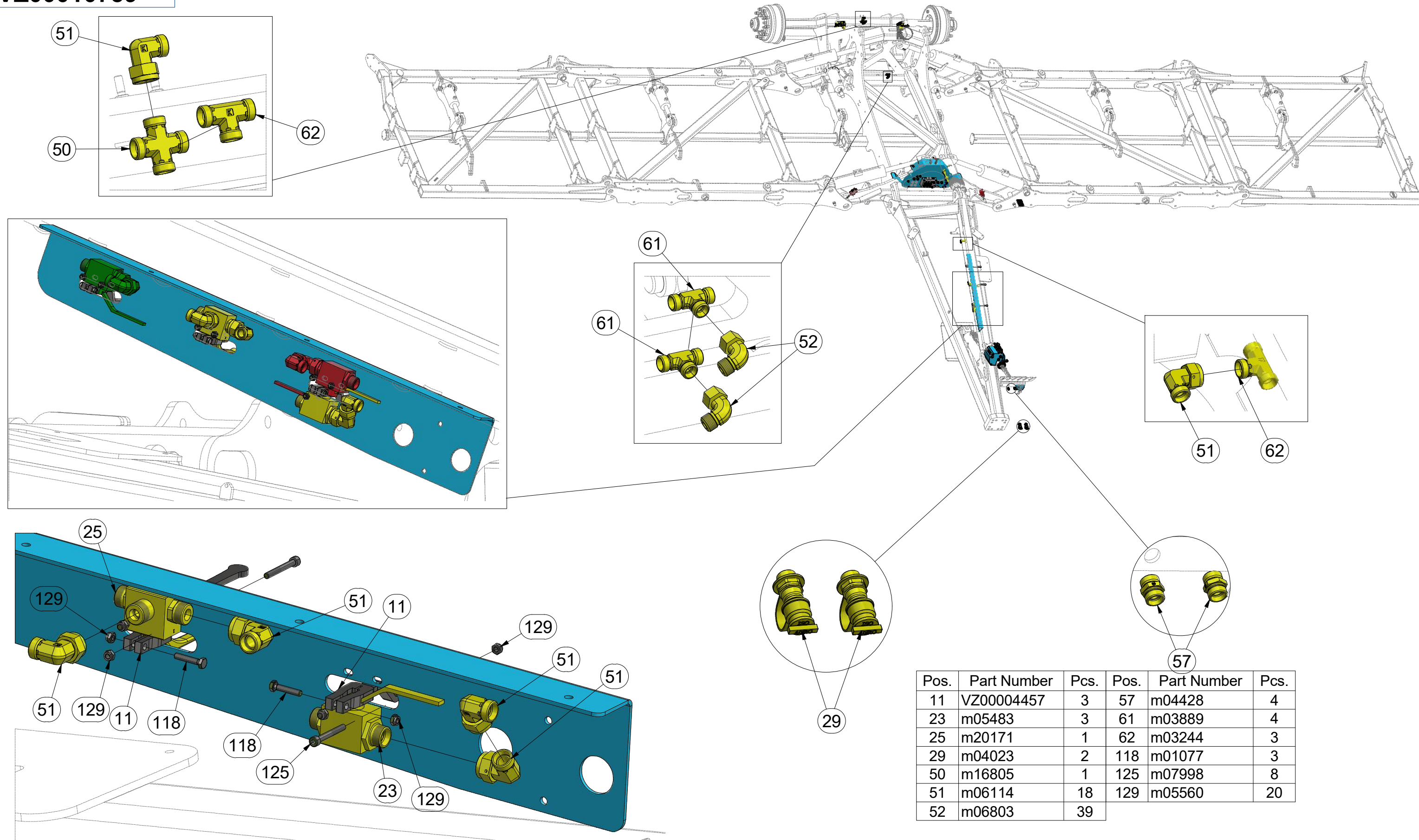
ⒸB HYDRAULIC AXLE DISTRIBUTION

ⒸU ГИДРАВЛИЧЕСКОЕ РАСПРЕДЕЛЕНИЕ ОСИ

ⒸL HYDRAULICZNY PRZEWÓD OSI



VZ00010739



| Pos. | Part Number | Pcs. | Pos. | Part Number | Pcs. |
|------|-------------|------|------|-------------|------|
| 11 | VZ00004457 | 3 | 57 | m04428 | 4 |
| 23 | m05483 | 3 | 61 | m03889 | 4 |
| 25 | m20171 | 1 | 62 | m03244 | 3 |
| 29 | m04023 | 2 | 118 | m01077 | 3 |
| 50 | m16805 | 1 | 125 | m07998 | 8 |
| 51 | m06114 | 18 | 129 | m05560 | 20 |
| 52 | m06803 | 39 | | | |

Ⓒ HYDRAULICKÝ ROZVOD SKLÁPĚNÍ

Ⓓ HYDRAULISCHE VERTEILUNG KLAPPMECHANISMUS

Ⓕ CONDUIT HYDRAULIQUE DU BASCULEMENT

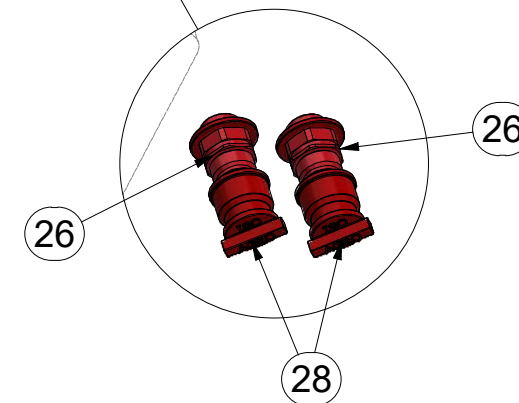
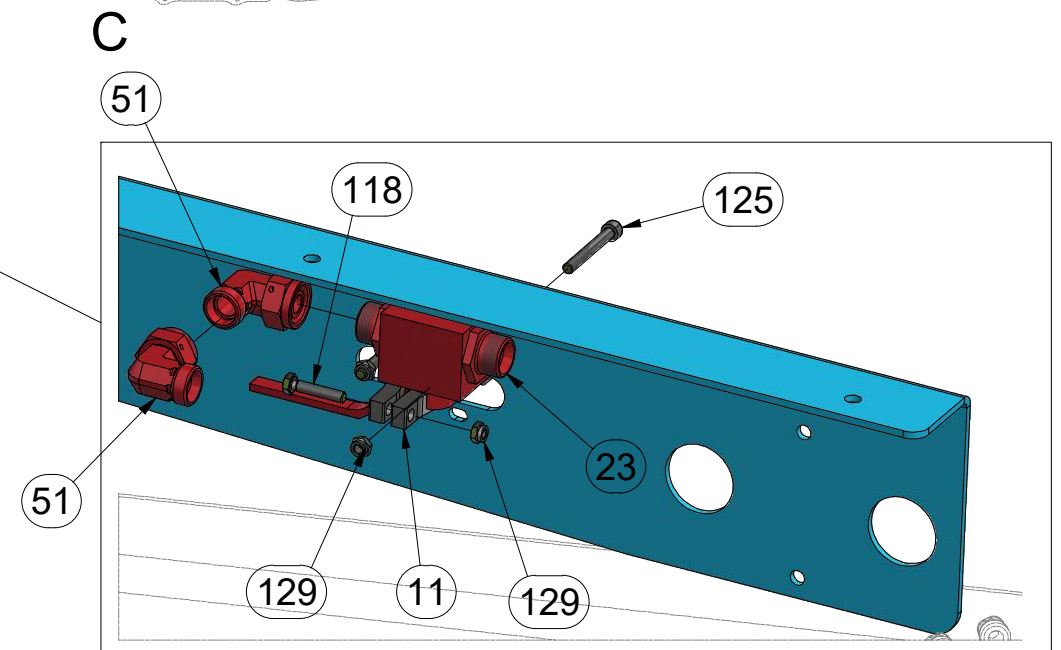
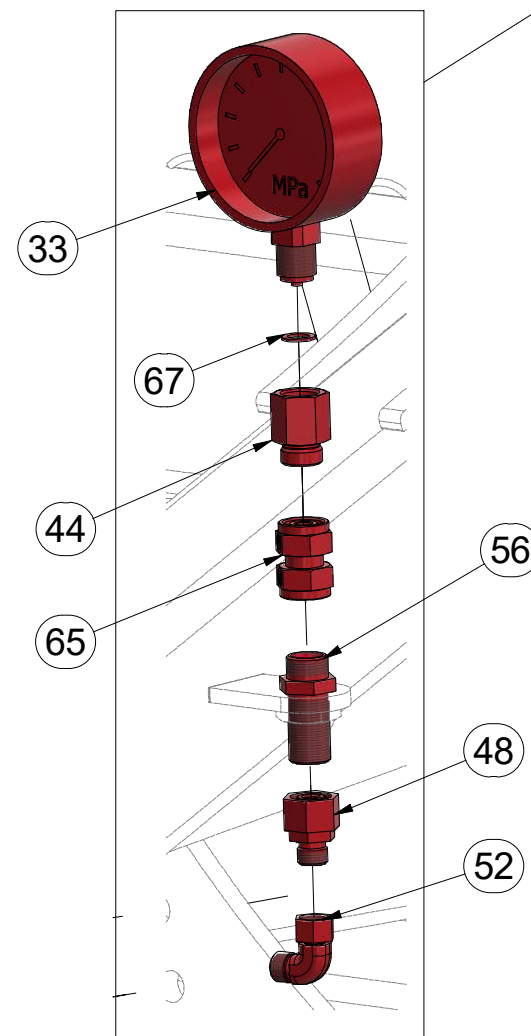
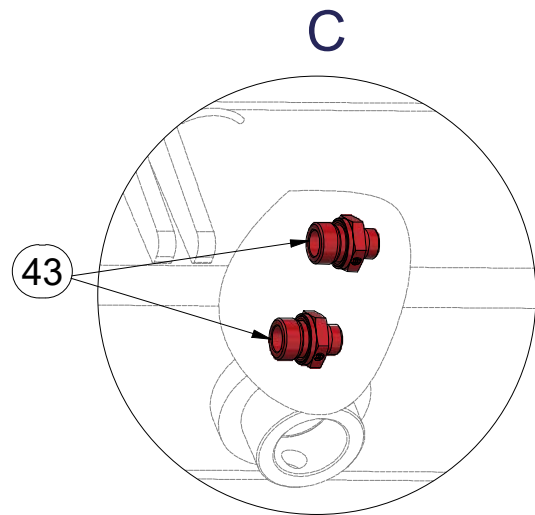
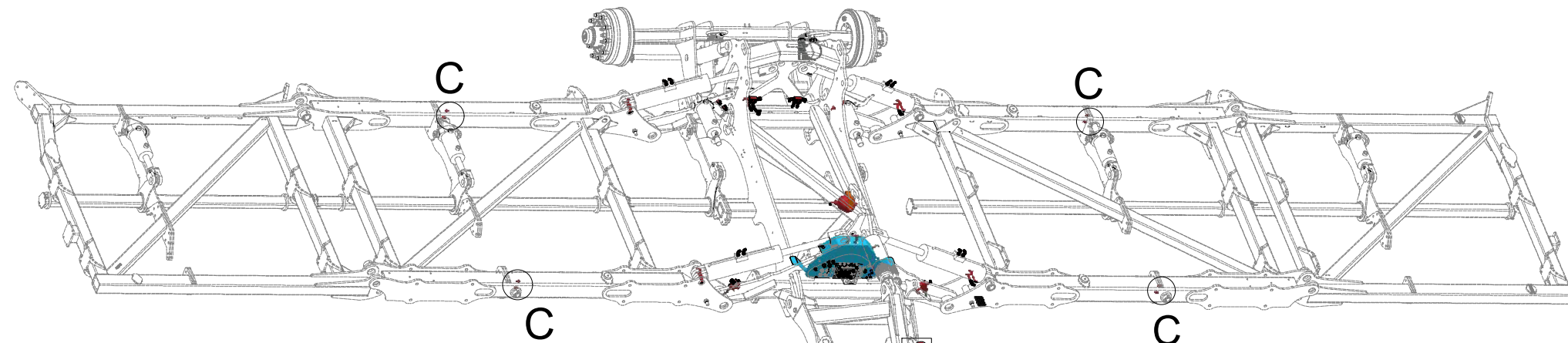
Ⓖ HYDRAULIC FOLDING DISTRIBUTION

Ⓡ ГИДРАВЛИЧЕСКОЕ РАСПРЕДЕЛЕНИЕ СКЛАДЫВАНИЯ

Ⓢ HYDRAULICZNY PRZEWÓD SKŁADANIA



VZ00010739



| Pos. | Part Number | Pcs. | Pos. | Part Number | Pcs. |
|------|-------------|------|------|-------------|------|
| 11 | VZ00004457 | 3 | 51 | m06114 | 18 |
| 23 | m05483 | 3 | 52 | m06803 | 39 |
| 26 | m04189 | 6 | 56 | m09625 | 1 |
| 28 | m04022 | 2 | 65 | m06135 | 1 |
| 33 | m05518 | 1 | 67 | m04320 | 1 |
| 43 | m09934 | 18 | 118 | m01077 | 3 |
| 44 | m11974 | 1 | 125 | m07998 | 8 |
| 48 | m08533 | 1 | 129 | m05560 | 20 |

ⒸZ HYDRAULICKÝ ROZVOD SKLÁPĚNÍ

Ⓓ HYDRAULISCHE VERTEILUNG KLAPPMECHANISMUS

Ⓕ CONDUIT HYDRAULIQUE DU BASCULEMENT

ⒼB HYDRAULIC FOLDING DISTRIBUTION

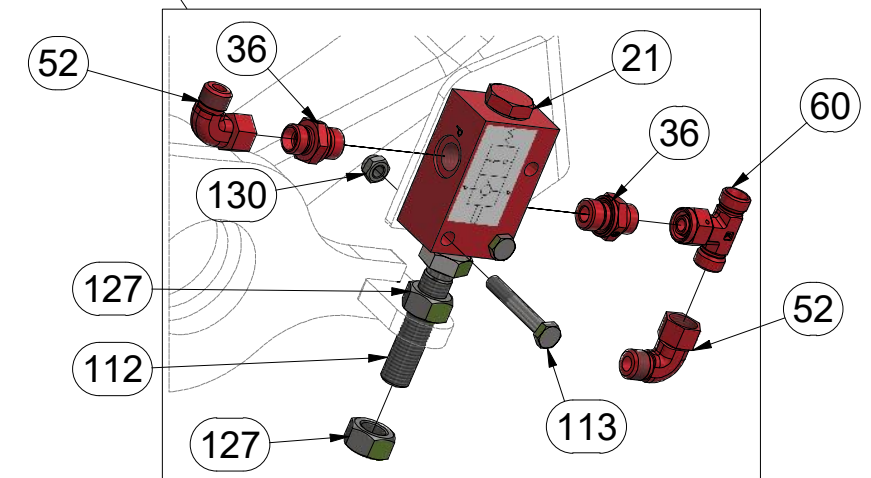
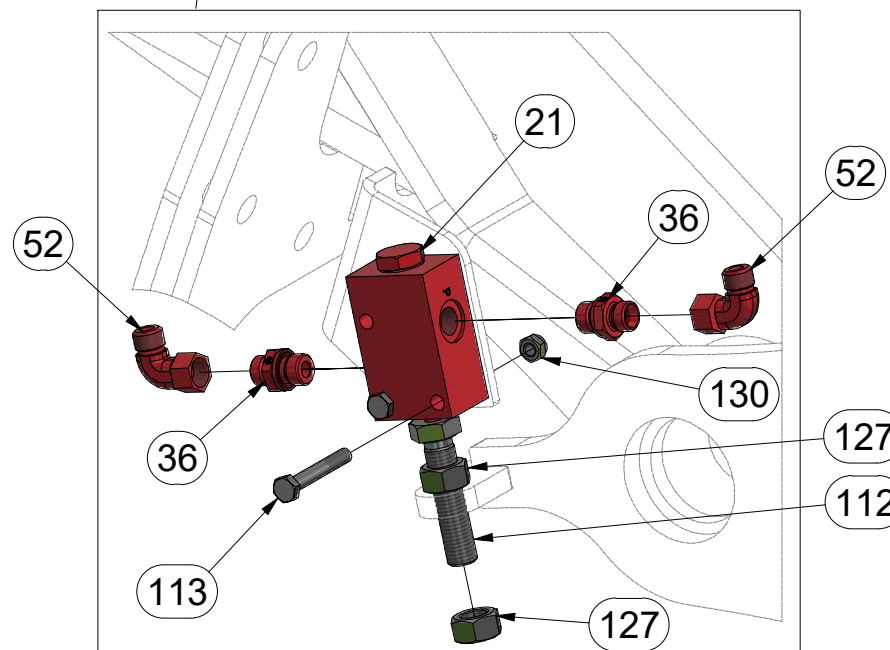
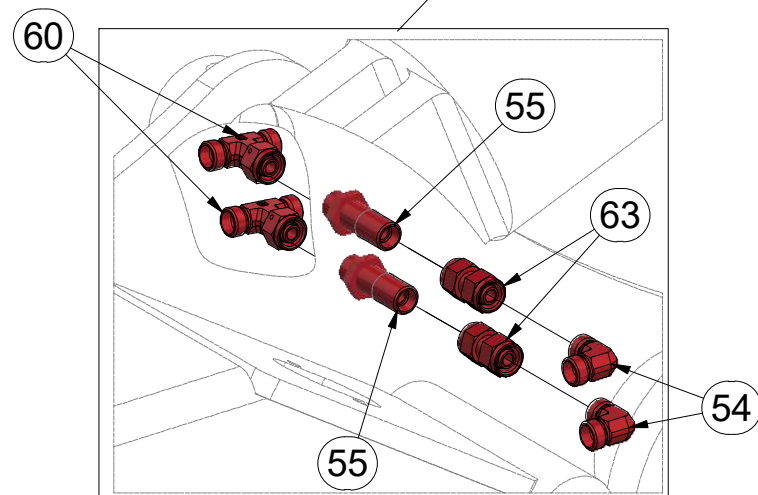
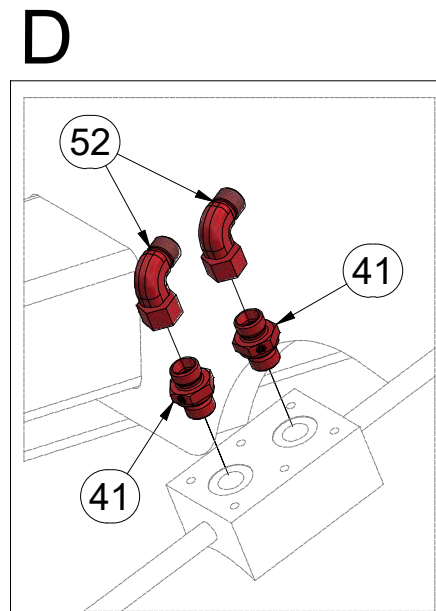
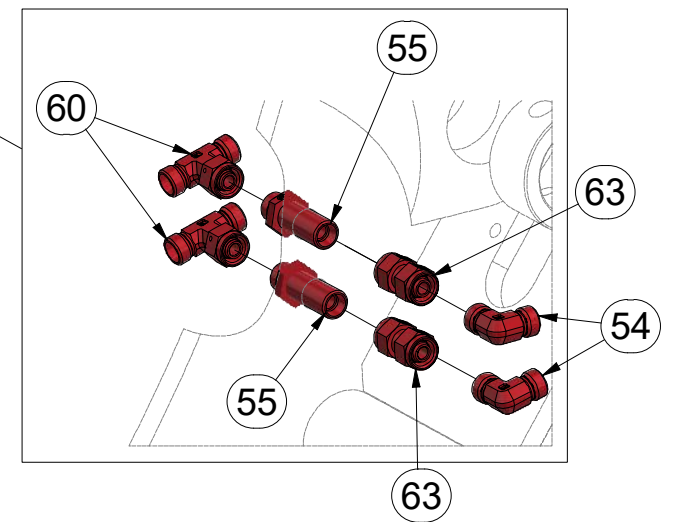
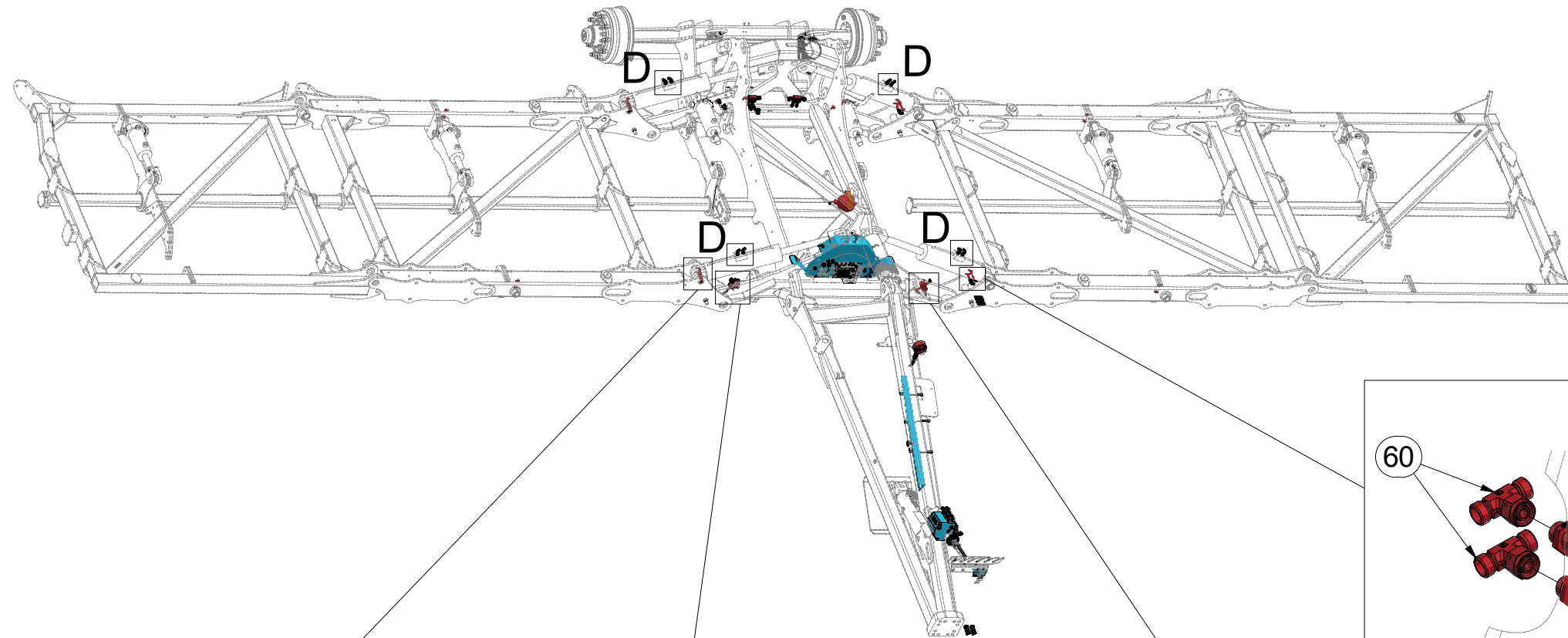
Ⓔ RU ГИДРАВЛИЧЕСКОЕ РАСПРЕДЕЛЕНИЕ СКЛАДЫВАНИЯ

Ⓔ PL HYDRAULICZNY PRZEWÓD SKŁADANIA



VZ00010739

| Pos. | Part Number | Pcs. |
|------|-------------|------|
| 21 | m10261 | 3 |
| 36 | m06528 | 10 |
| 41 | m07906 | 8 |
| 52 | m06803 | 39 |
| 54 | m06661 | 8 |
| 55 | m11768 | 8 |
| 60 | m07567 | 7 |
| 63 | m05212 | 9 |
| 112 | m00626 | 2 |
| 113 | m10593 | 4 |
| 127 | m01306 | 4 |
| 130 | m04503 | 8 |



ⒸZ HYDRAULICKÝ ROZVOD SKLÁPĚNÍ

Ⓓ HYDRAULISCHE VERTEILUNG KLAPPMECHANISMUS

Ⓕ CONDUIT HYDRAULIQUE DU BASCULEMENT

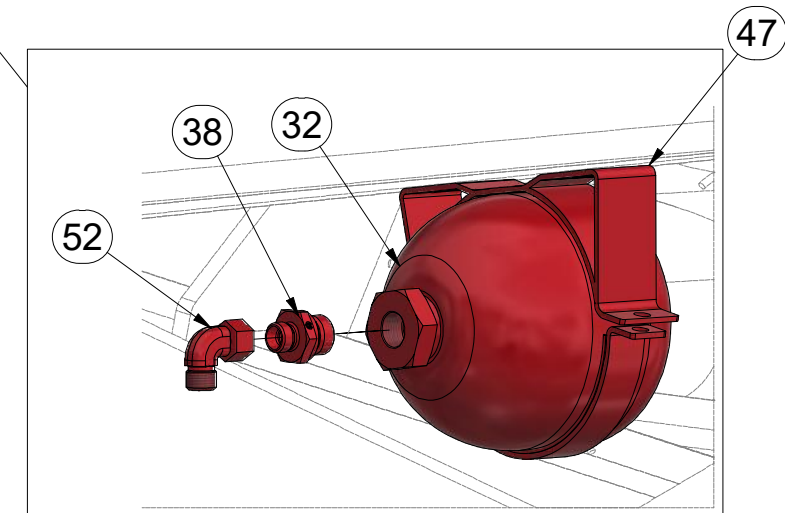
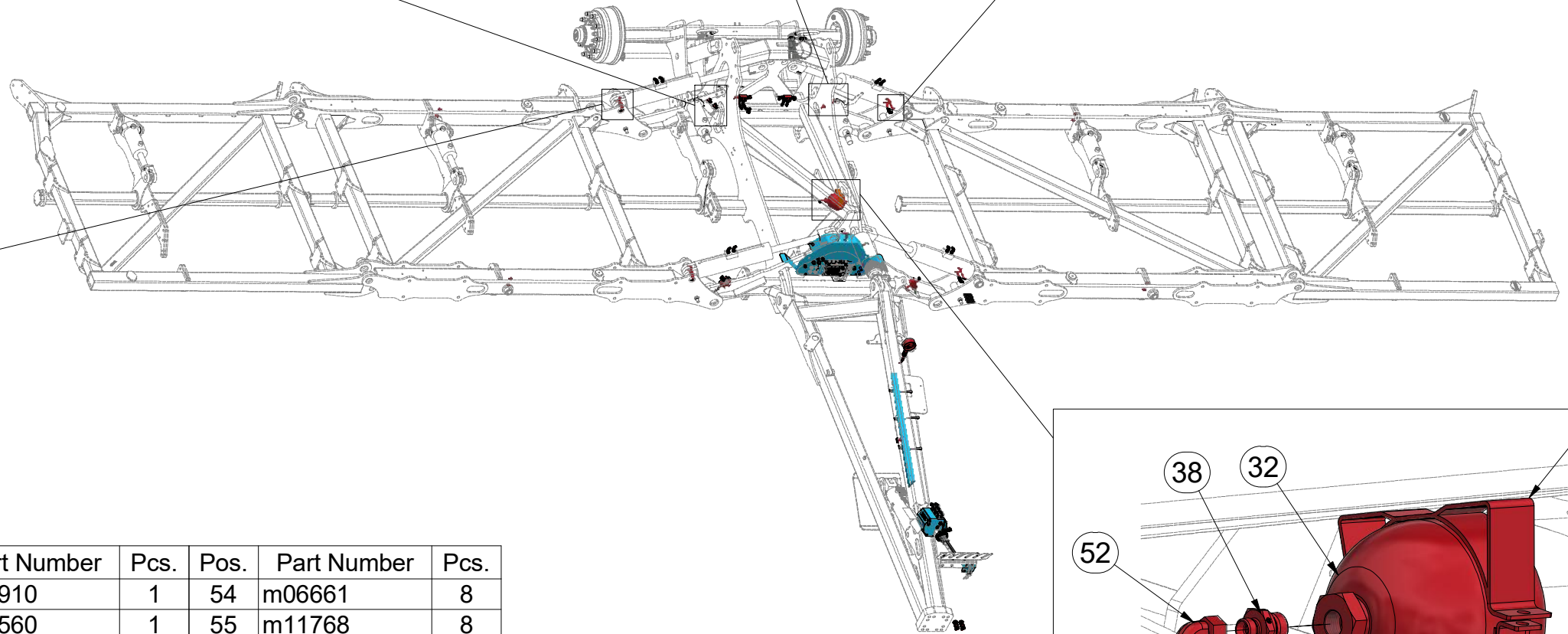
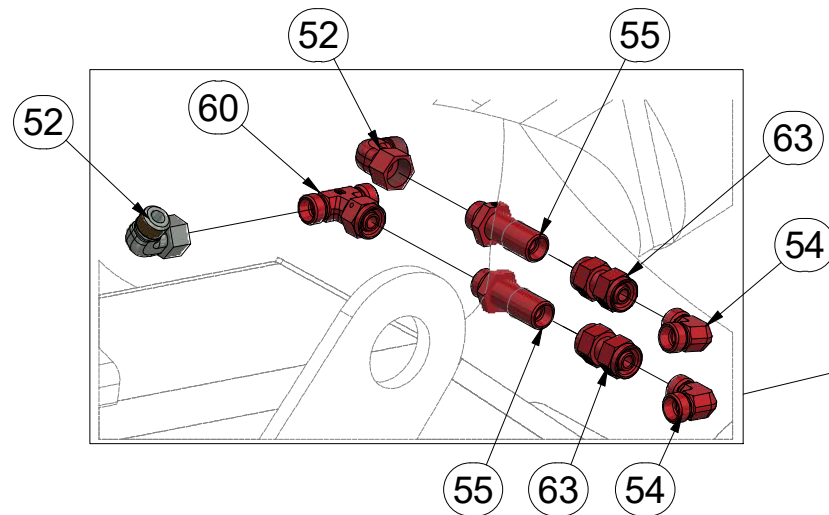
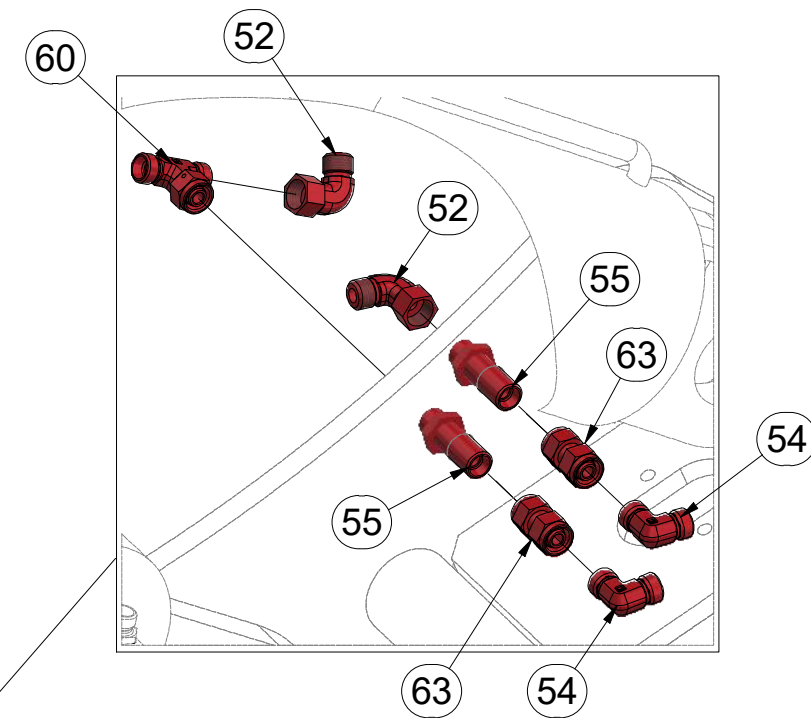
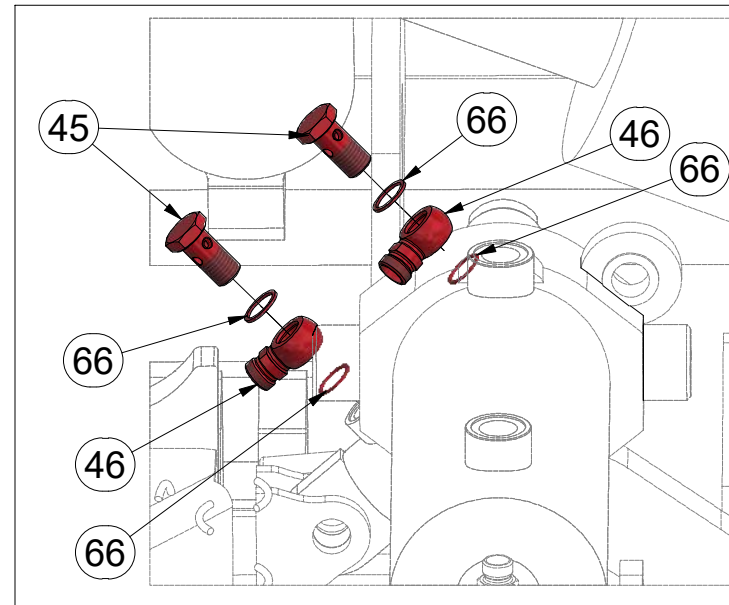
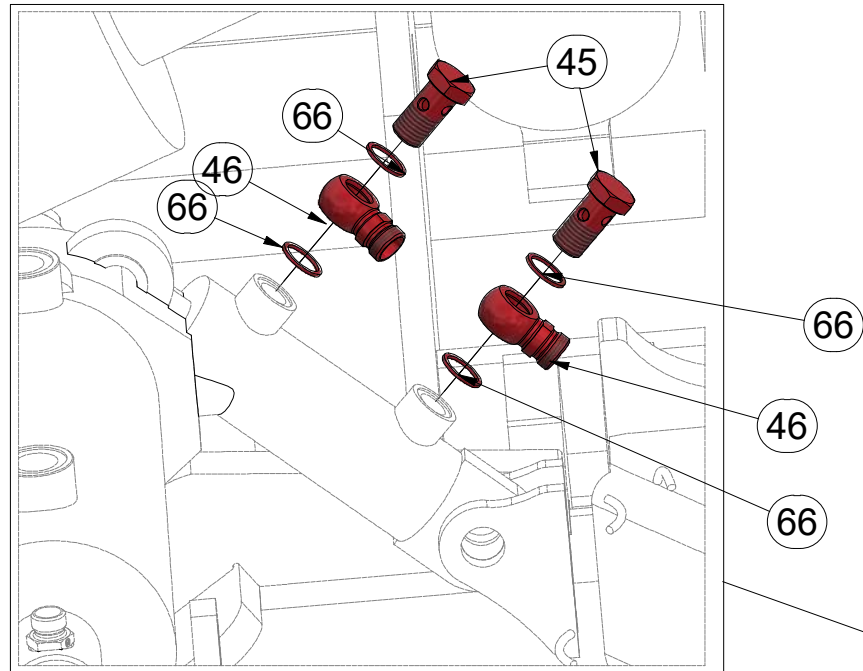
ⒸB HYDRAULIC FOLDING DISTRIBUTION

ⒸU ГИДРАВЛИЧЕСКОЕ РАСПРЕДЕЛЕНИЕ СКЛАДЫВАНИЯ

ⒸL HYDRAULICZNY PRZEWÓD SKŁADANIA



VZ00010739



| Pos. | Part Number | Pcs. | Pos. | Part Number | Pcs. |
|------|-------------|------|------|-------------|------|
| 32 | m09910 | 1 | 54 | m06661 | 8 |
| 38 | m04560 | 1 | 55 | m11768 | 8 |
| 45 | m08460 | 5 | 60 | m07567 | 7 |
| 46 | m08461 | 5 | 63 | m05212 | 9 |
| 47 | m15046 | 1 | 66 | m04321 | 8 |
| 52 | m06803 | 39 | | | |

ⒸZ HYDRAULICKÝ ROZVOD SKLÁPĚNÍ

Ⓓ HYDRAULISCHE VERTEILUNG KLAPPMCHANISMUS

Ⓕ CONDUIT HYDRAULIQUE DU BASCULEMENT

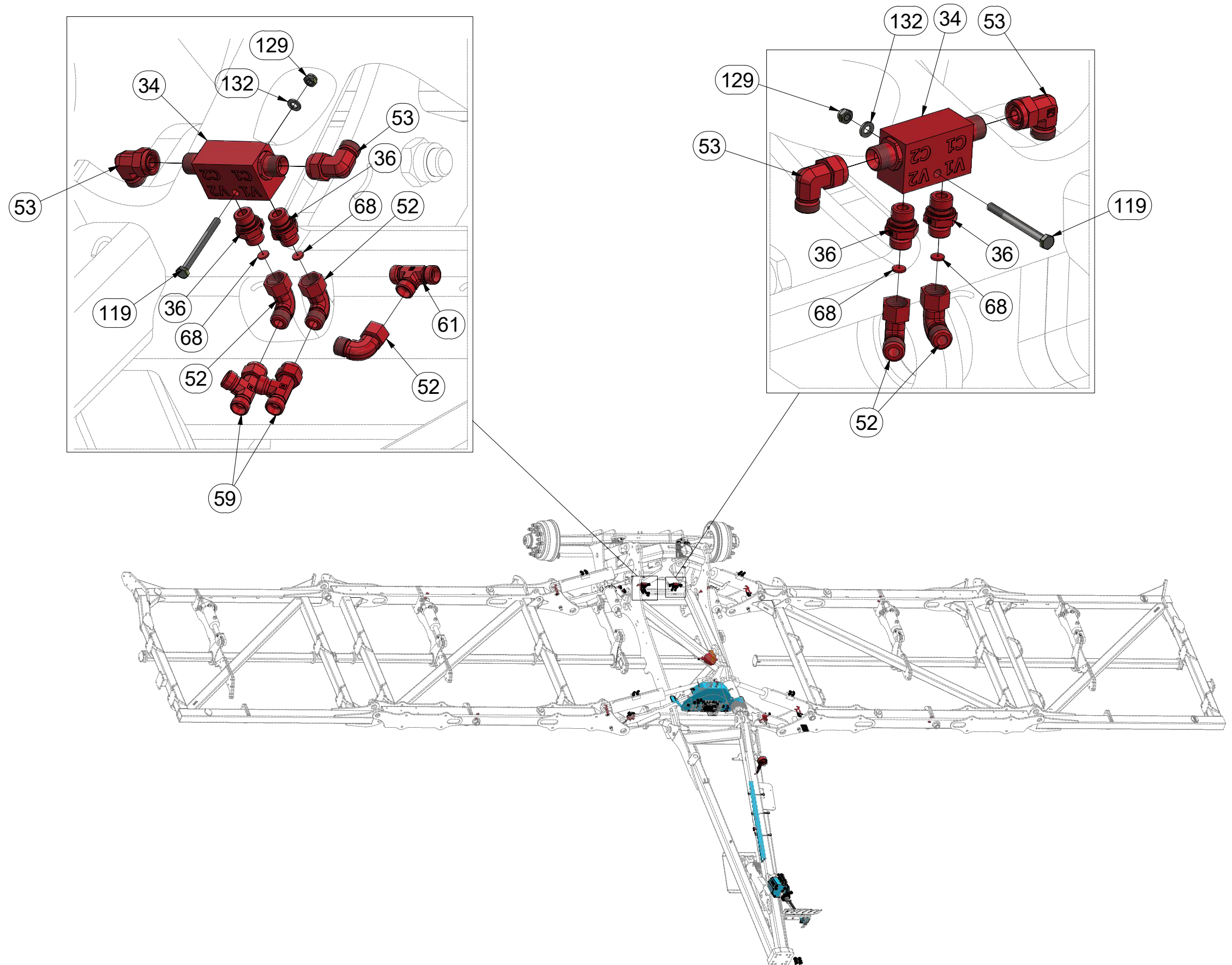
ⒸB HYDRAULIC FOLDING DISTRIBUTION

ⒸU ГИДРАВЛИЧЕСКОЕ РАСПРЕДЕЛЕНИЕ СКЛАДЫВАНИЯ

ⒸL HYDRAULICZNY PRZEWÓD SKŁADANIA

Farmet

VZ00010739



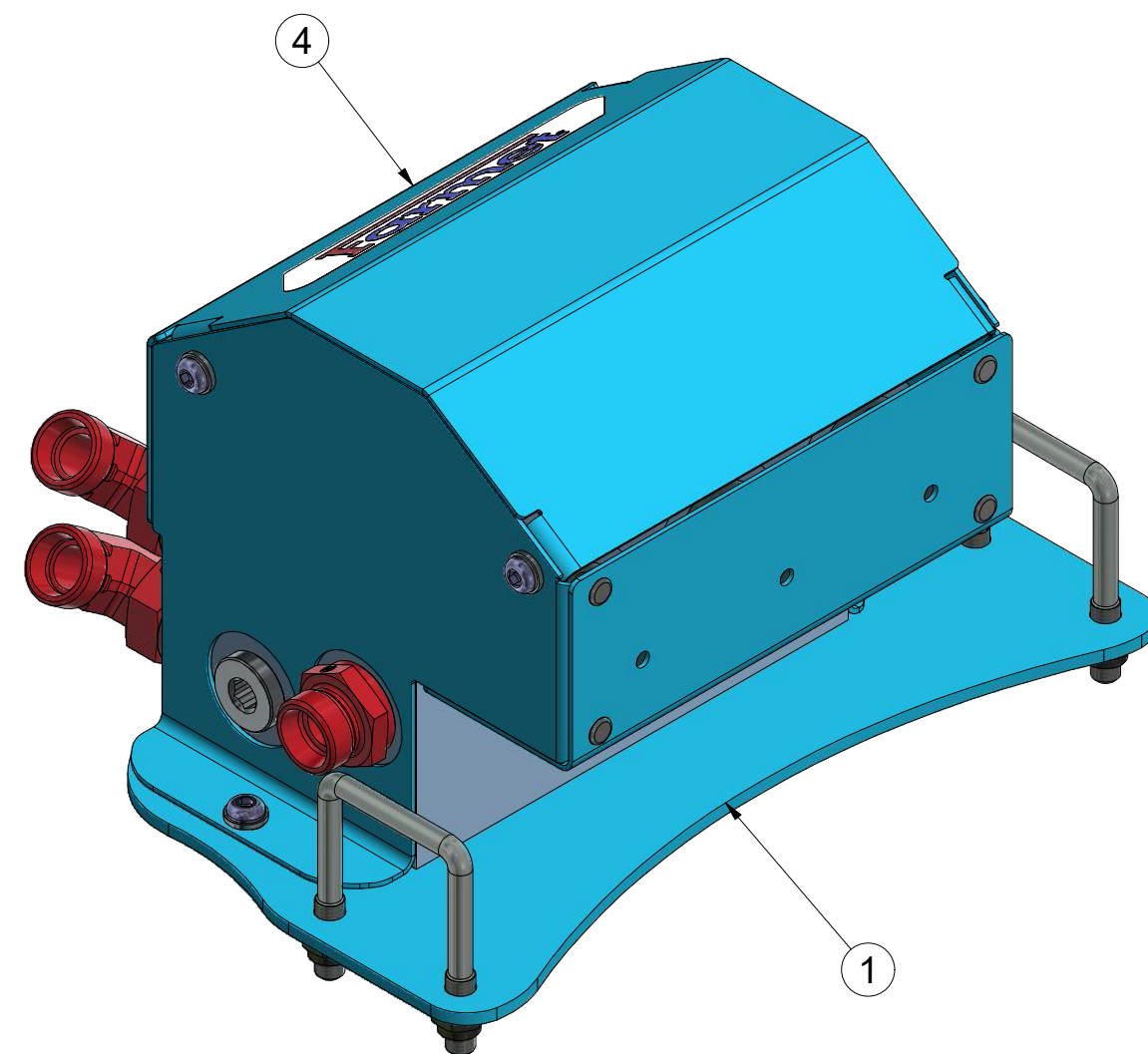
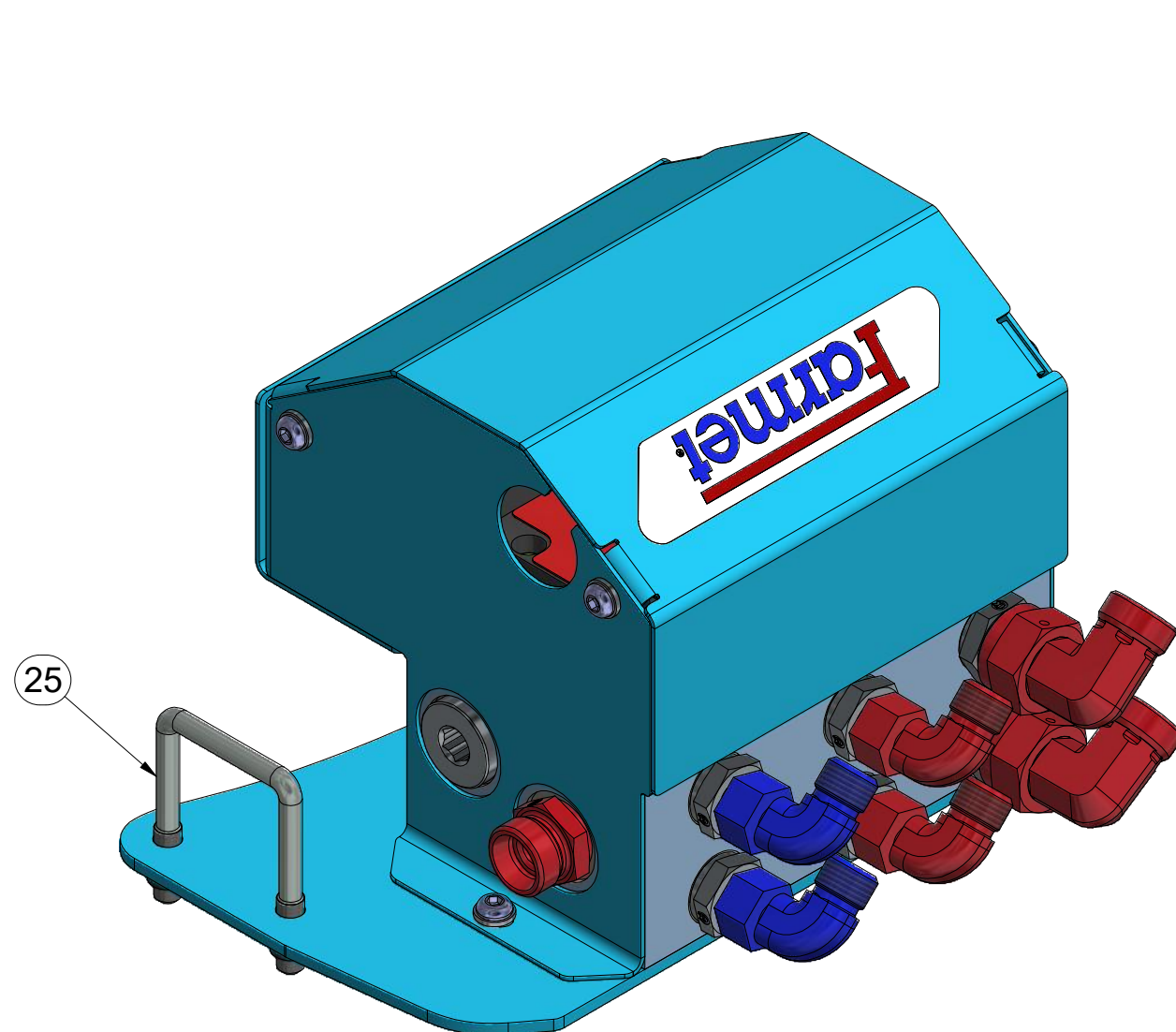
| Pos. | Part Number | Pcs. |
|------|-------------|------|
| 34 | m08083 | 5 |
| 36 | m06528 | 10 |
| 52 | m06803 | 39 |
| 53 | m07654 | 10 |
| 59 | m07568 | 2 |
| 61 | m03889 | 4 |
| 68 | m10771 | 4 |
| 119 | m15271 | 2 |
| 129 | m05560 | 20 |
| 132 | m01199 | 12 |

Ⓒ ROZVADĚČ
Ⓓ VERTEILER
Ⓕ DISTRIBUTEUR

Ⓖ DISTRIBUTOR
Ⓡ РАСПРЕДЕЛИТЕЛЬ
Ⓟ ROZDZIELNICA



VZ00010473



| Pos. | Part Number | Pcs. |
|------|-------------|------|
| 1 | VZ00010474 | 1 |
| 4 | VZ00004416 | 1 |
| 25 | m18540 | 2 |

☉ ROZVADĚČ

Ⓧ VERTEILER

Ⓧ DISTRIBUTEUR

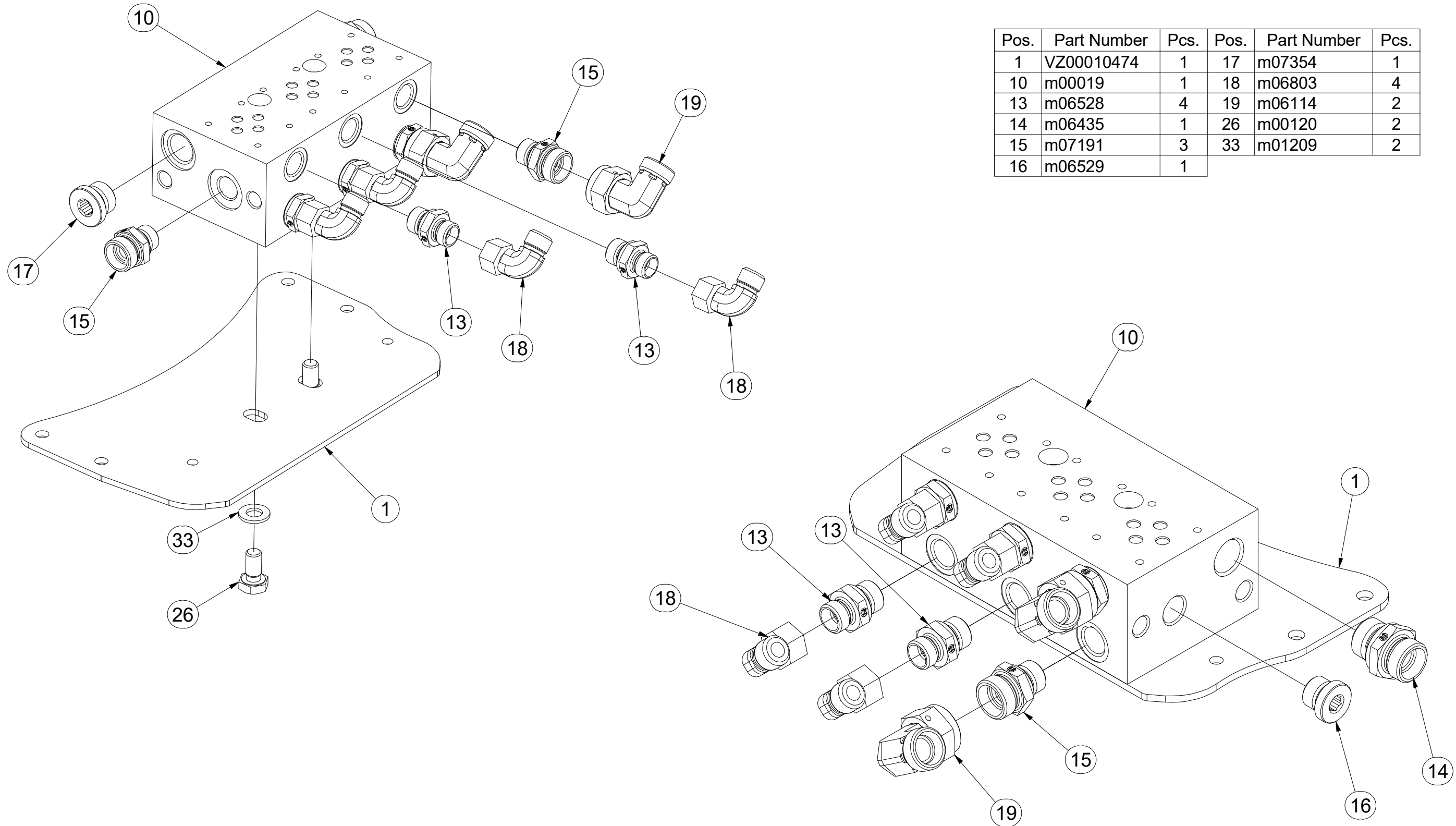
Ⓧ DISTRIBUTOR

Ⓧ РАСПРЕДЕЛИТЕЛЬ

Ⓧ ROZDZIELNICA



VZ00010473



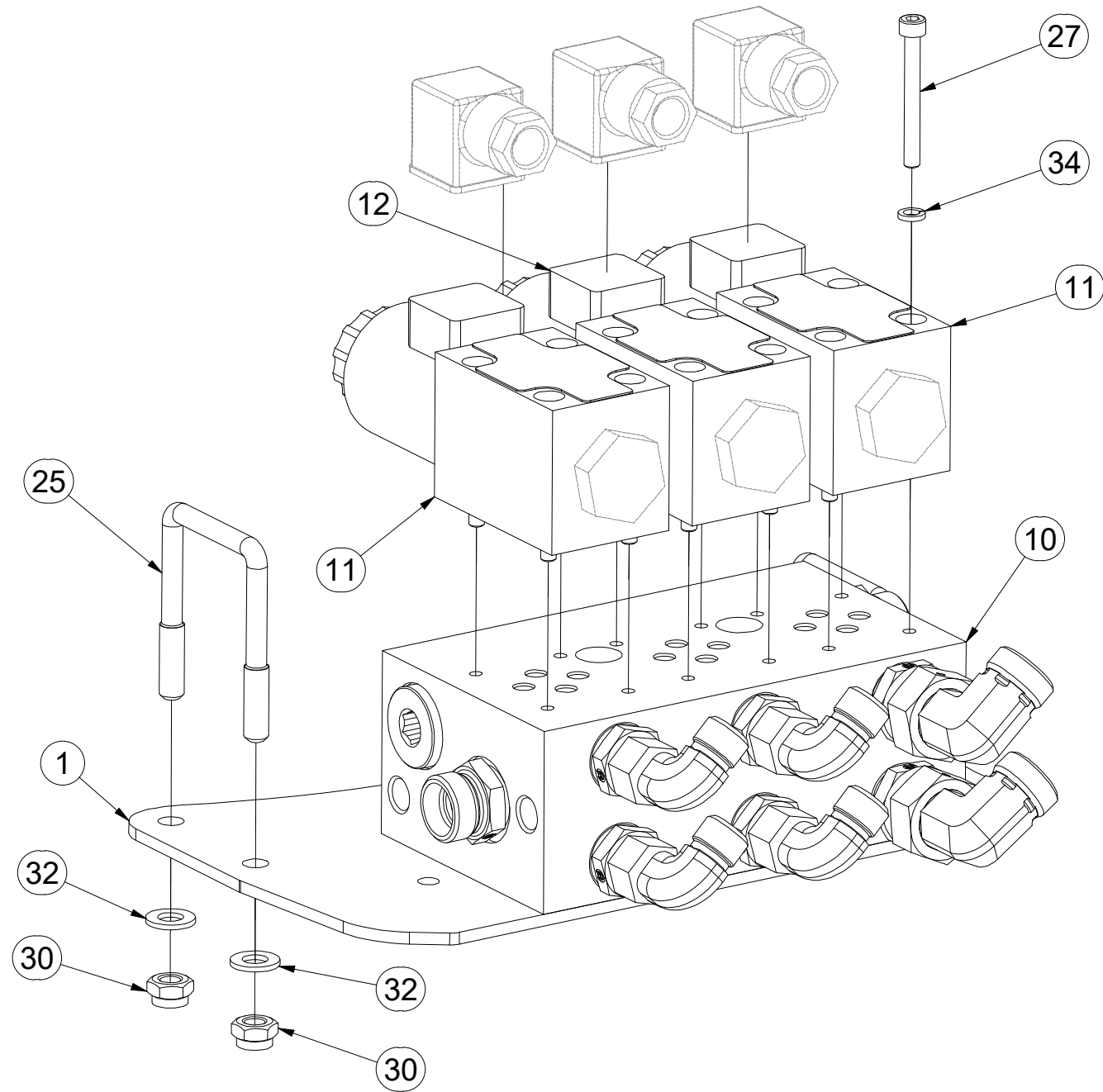
| Pos. | Part Number | Pcs. | Pos. | Part Number | Pcs. |
|------|-------------|------|------|-------------|------|
| 1 | VZ00010474 | 1 | 17 | m07354 | 1 |
| 10 | m00019 | 1 | 18 | m06803 | 4 |
| 13 | m06528 | 4 | 19 | m06114 | 2 |
| 14 | m06435 | 1 | 26 | m00120 | 2 |
| 15 | m07191 | 3 | 33 | m01209 | 2 |
| 16 | m06529 | 1 | | | |

CZ ROZVADĚČ
 D VERTEILER
 F DISTRIBUTEUR

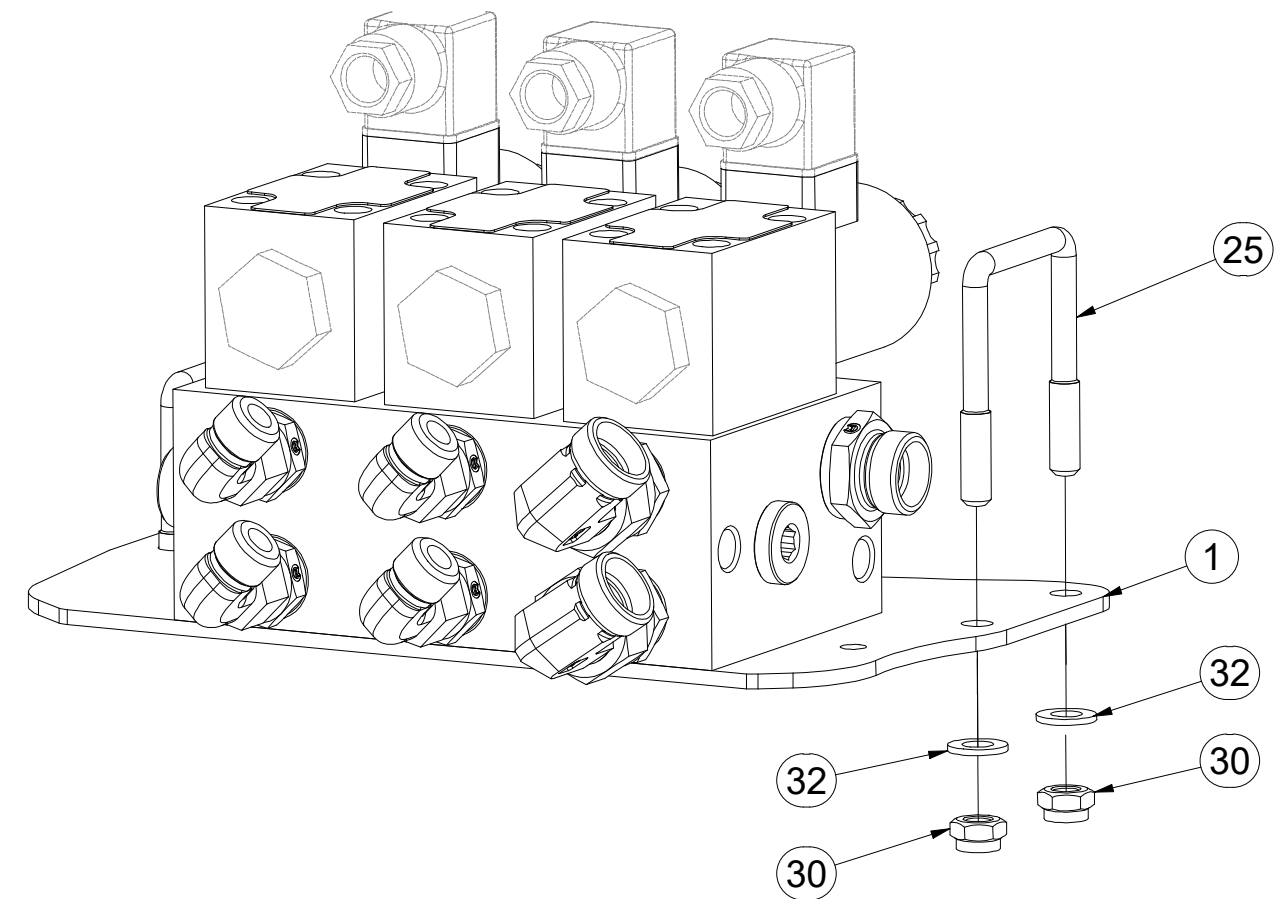
GB DISTRIBUTOR
 RU РАСПРЕДЕЛИТЕЛЬ
 PL ROZDZIELNICA



VZ00010473



| Pos. | Part Number | Pcs. |
|------|-------------|------|
| 1 | VZ00010474 | 1 |
| 10 | m00019 | 1 |
| 11 | m07798 | 2 |
| 12 | m18358 | 1 |
| 25 | m18540 | 2 |
| 27 | m08349 | 12 |
| 30 | m11425 | 4 |
| 32 | m01203 | 4 |
| 34 | m01197 | 12 |



Ⓒ ROZVADĚČ

Ⓓ VERTEILER

Ⓕ DISTRIBUTEUR

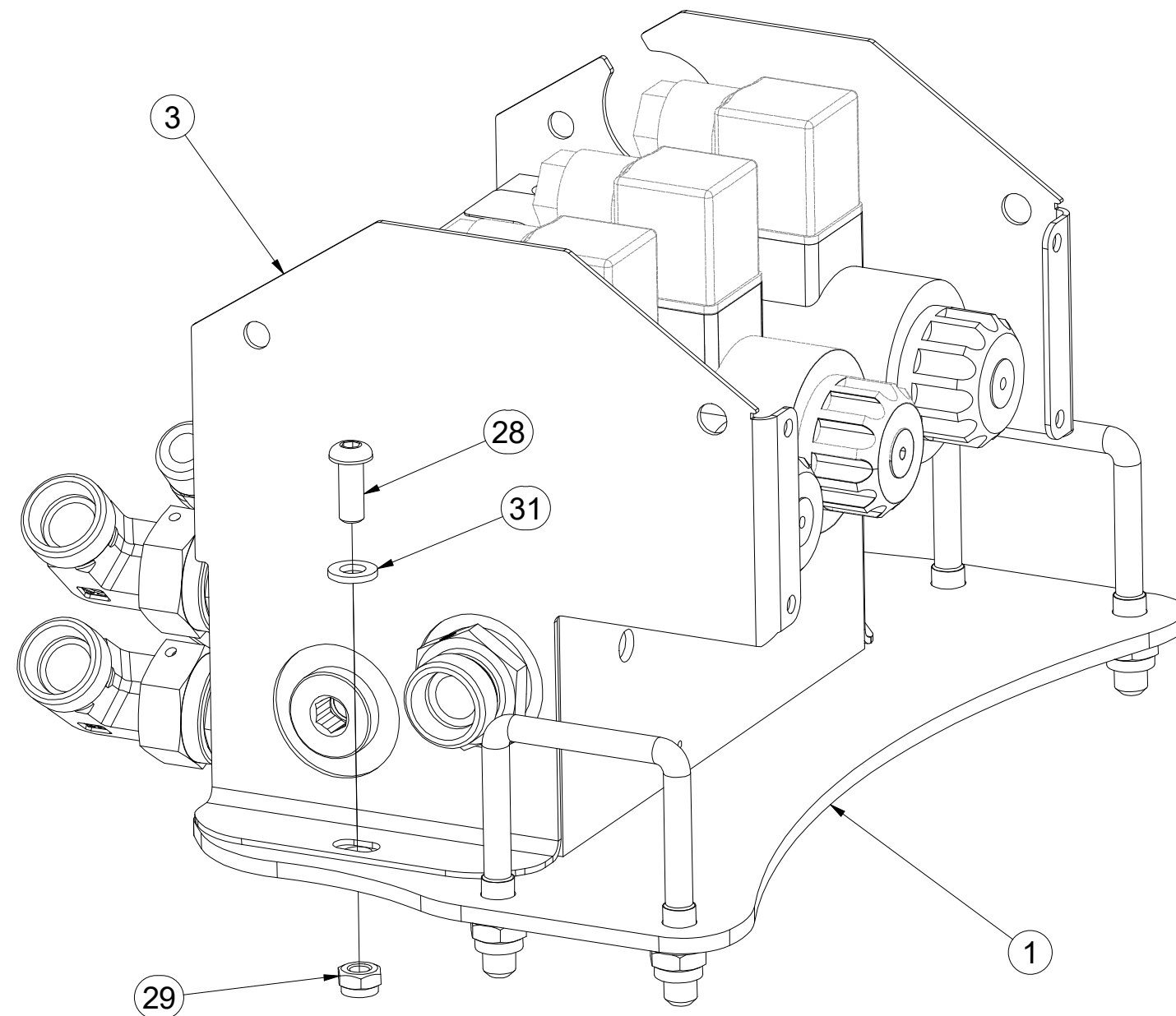
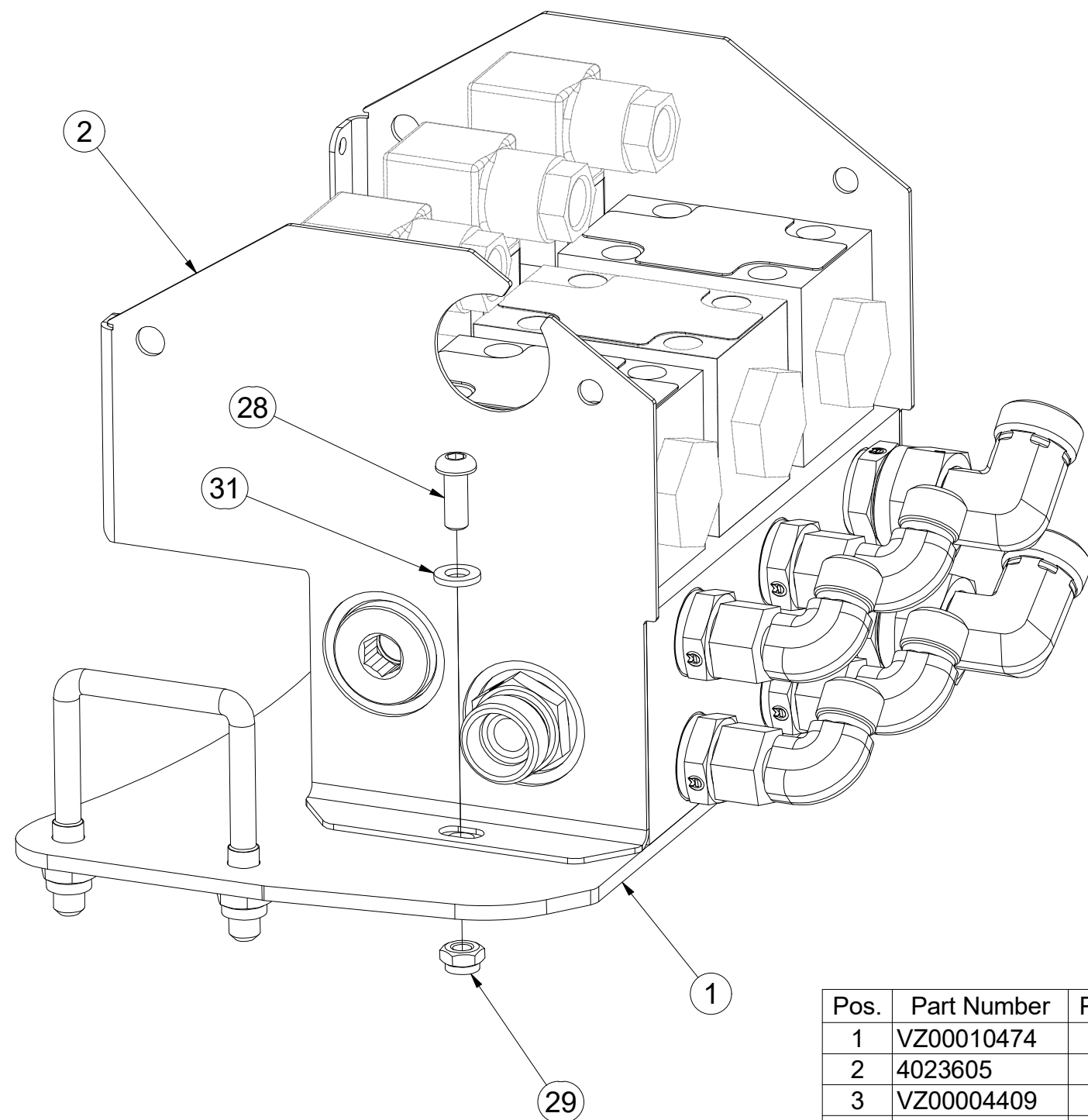
VZ00010473

Ⓖ DISTRIBUTOR

Ⓡ РАСПРЕДЕЛИТЕЛЬ

Ⓟ ROZDZIELNICA

Farmet



| Pos. | Part Number | Pcs. |
|------|-------------|------|
| 1 | VZ00010474 | 1 |
| 2 | 4023605 | 1 |
| 3 | VZ00004409 | 1 |
| 28 | m17144 | 6 |
| 29 | m05560 | 2 |
| 31 | m01199 | 6 |

Ⓒ ROZVADĚČ

Ⓓ VERTEILER

Ⓕ DISTRIBUTEUR

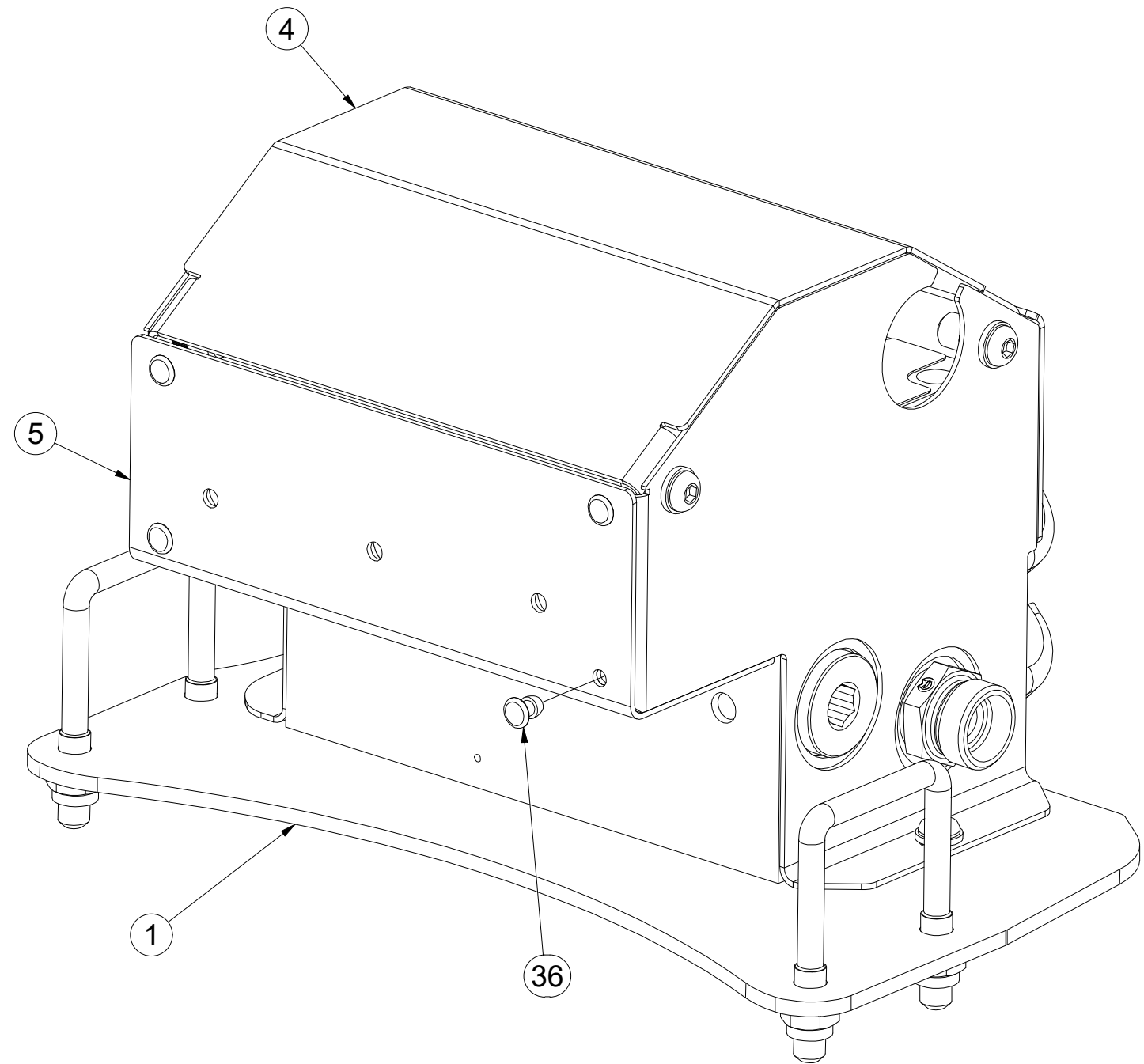
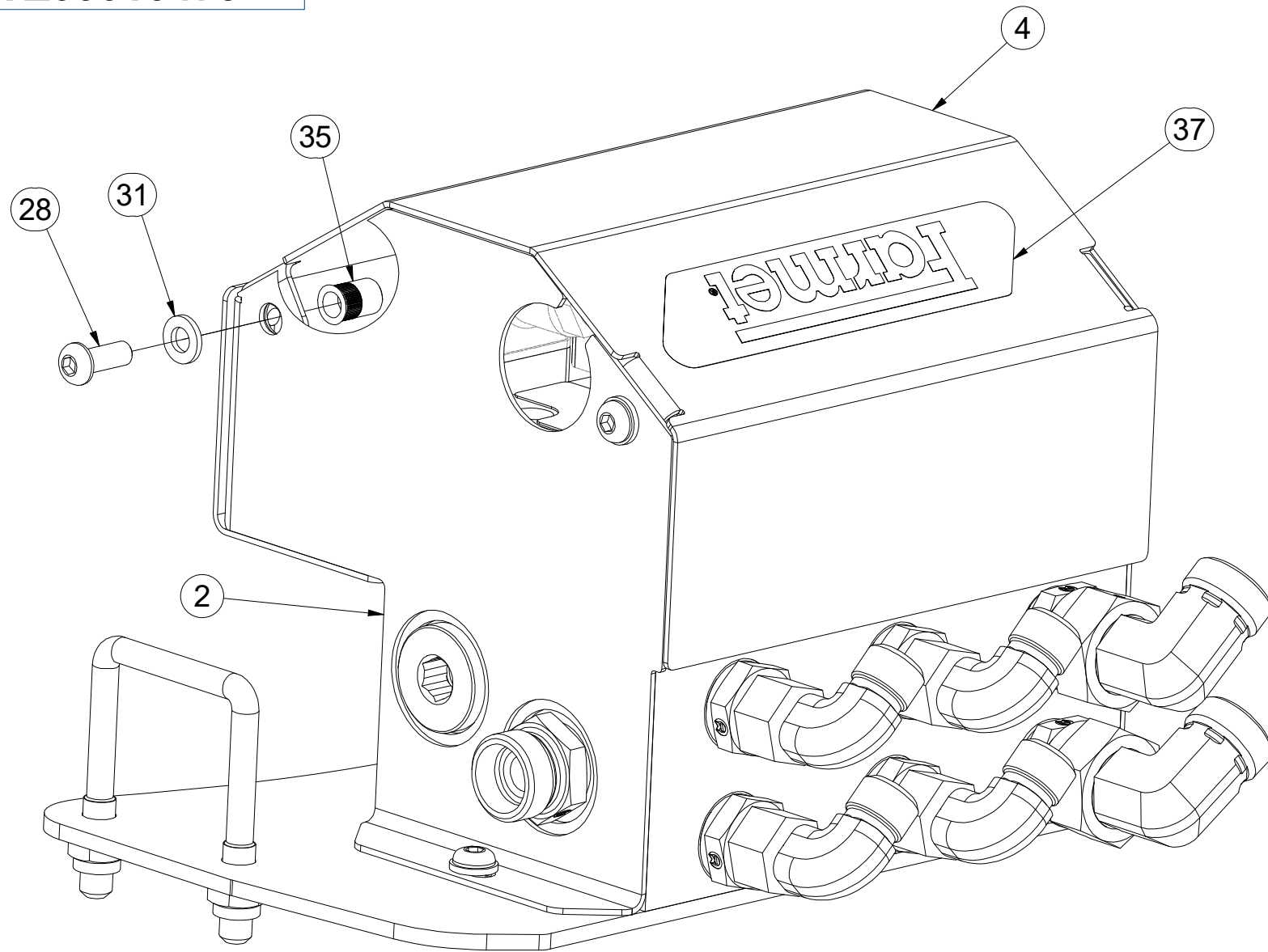
Ⓖ DISTRIBUTOR

Ⓡ РАСПРЕДЕЛИТЕЛЬ

Ⓟ ROZDZIELNICA

Farmet

VZ00010473



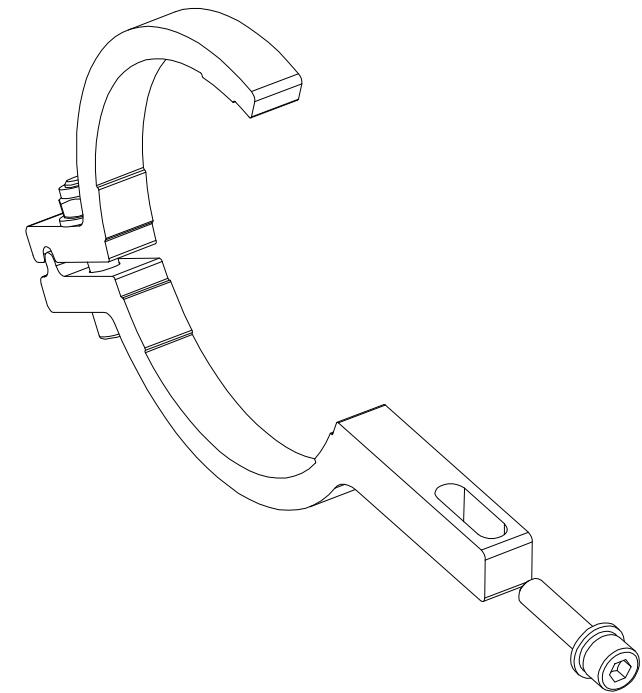
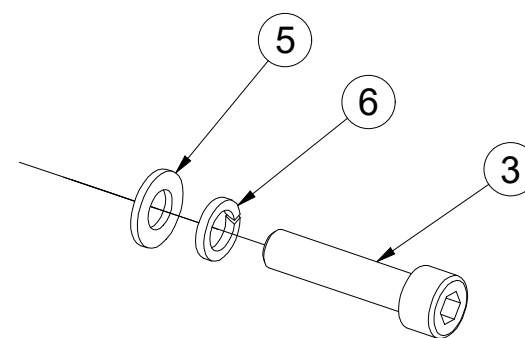
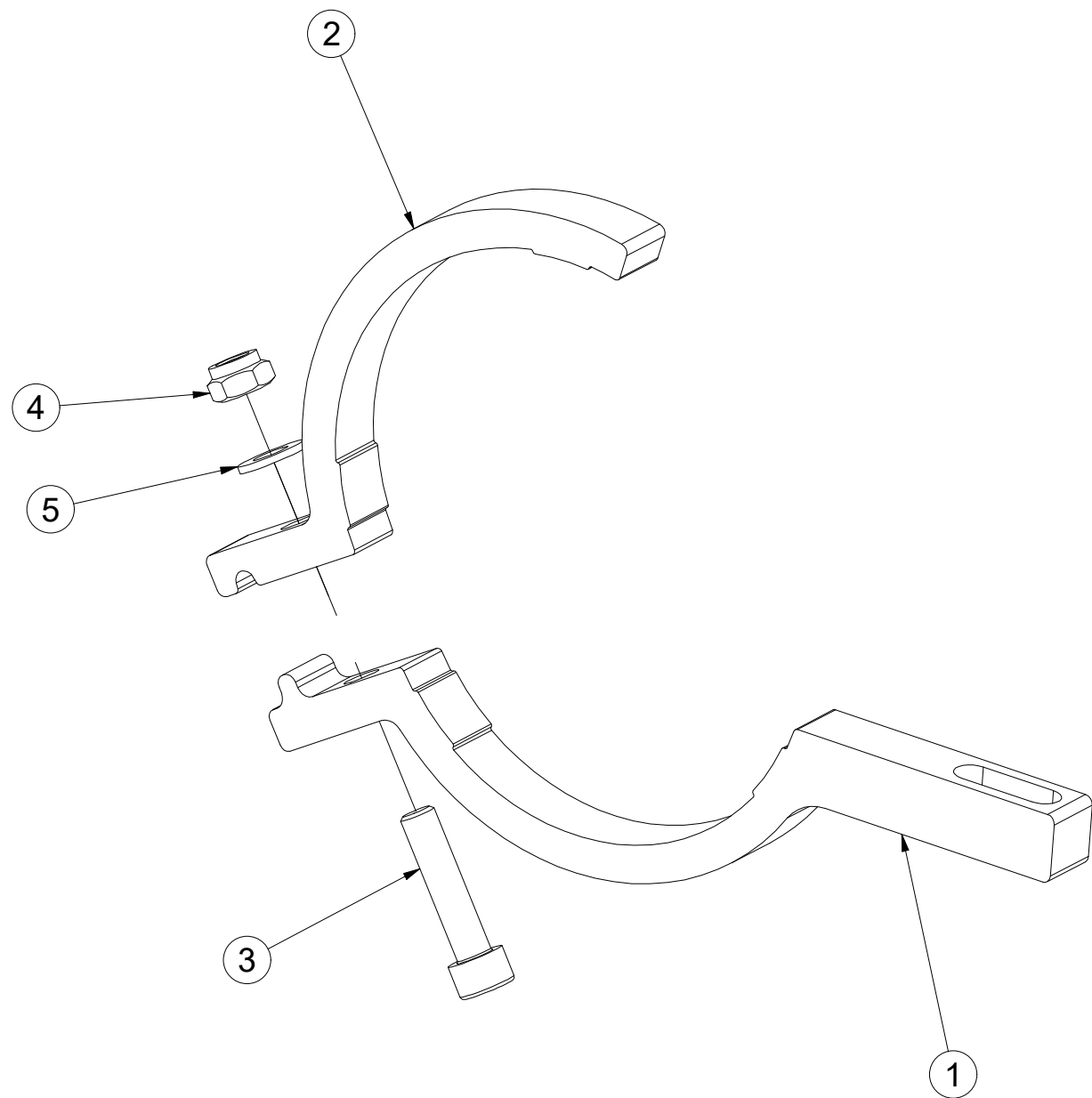
| Pos. | Part Number | Pcs. | Pos. | Part Number | Pcs. |
|------|-------------|------|------|-------------|------|
| 1 | VZ00010474 | 1 | 31 | m01199 | 6 |
| 2 | 4023605 | 1 | 35 | m06428 | 4 |
| 4 | VZ00004416 | 1 | 36 | m05587 | 4 |
| 5 | VZ00004415 | 1 | 37 | m13401 | 1 |
| 28 | m17144 | 6 | | | |

(CZ) DRŽÁK
 (D) HALTER
 (F) SUPPORT

(GB) HOLDER
 (RU) ДЕРЖАТЕЛЬ
 (PL) UCHWYT



VZ00009944



| Pos. | Part Number | Pcs. |
|------|-------------|------|
| 1 | VZ00009925 | 1 |
| 2 | VZ00009926 | 1 |
| 3 | m09464 | 2 |
| 4 | m04503 | 1 |
| 5 | m01203 | 2 |
| 6 | m01202 | 1 |

Ⓒ SOUPRAVA TĚSNIVA PÍSTNIC

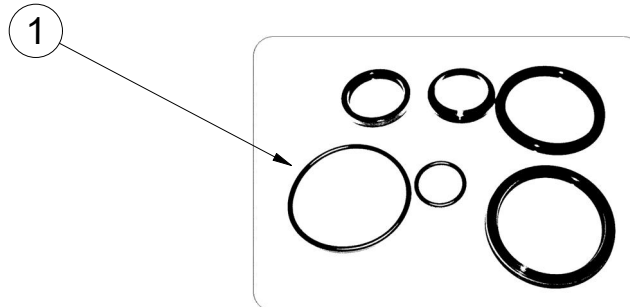
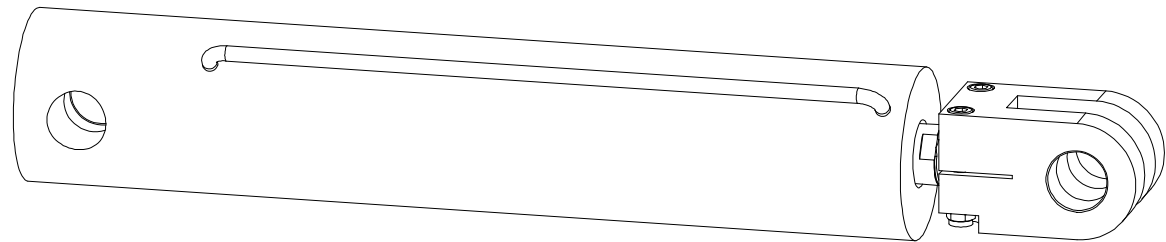
Ⓓ KOLBENSTANGENDICHTUNGSMITTELSATZ

Ⓕ SET DE GARNITURE DES TIGES DE PISTON

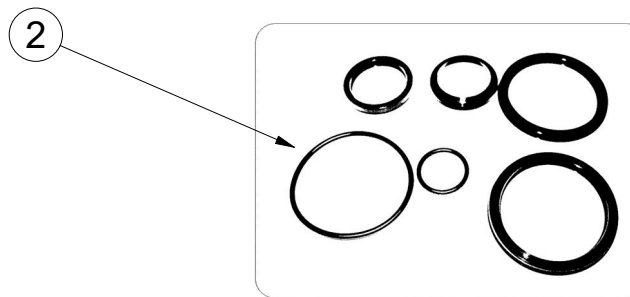
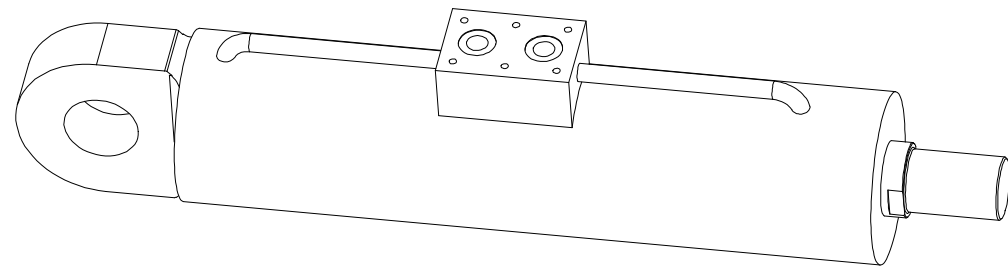
Ⓖ SEALING SET FOR PISTON RODS

Ⓡ КОМПЛЕКТ ПРОКЛАДОК ЦИЛИНДРОВ

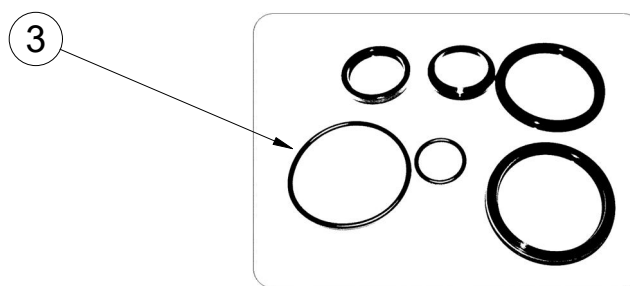
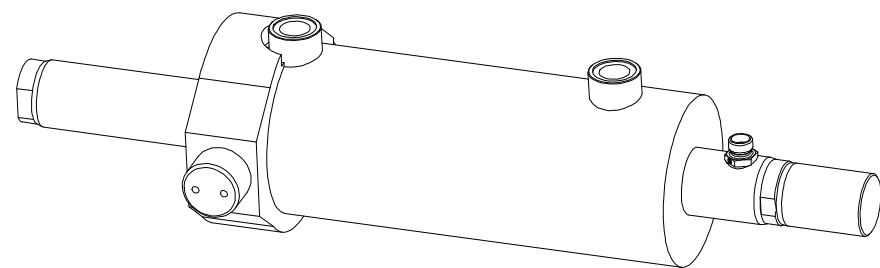
Ⓟ ZESTAW USZCZELEK TRZPIENIA TŁOKA



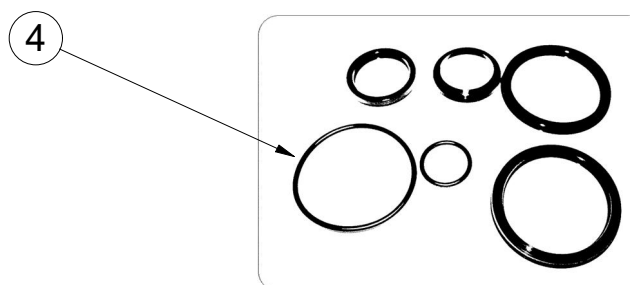
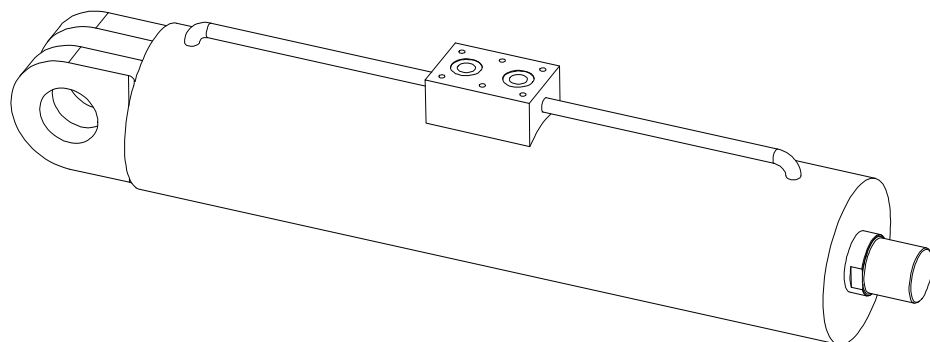
| m17765 - Ø100/Ø45-370 | | |
|-----------------------|-------------|-----|
| Pos | Part number | Pcs |
| 1 | | 4 |



| m18978 - Ø100/Ø50-350 | | |
|-----------------------|-------------|-----|
| Pos | Part number | Pcs |
| 2 | m15375 | 2 |



| m20393 - Ø100/Ø45-125 | | |
|-----------------------|-------------|-----|
| Pos | Part number | Pcs |
| 3 | | 2 |



| m19841 - Ø155/Ø50-465 | | |
|-----------------------|-------------|-----|
| Pos | Part number | Pcs |
| 4 | | 4 |

ⒸZ SOUPRAVA TĚSNIVA PÍSTNIC

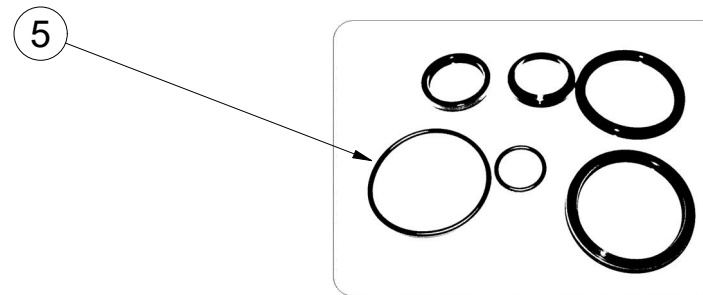
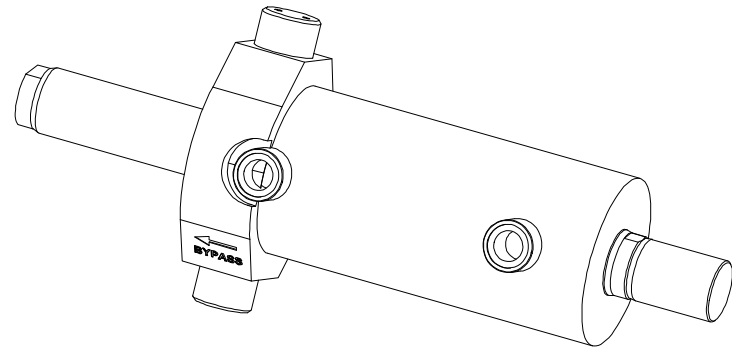
Ⓓ KOLBENSTANGENDICHTUNGSMITTELSATZ

Ⓕ SET DE GARNITURE DES TIGES DE PISTON

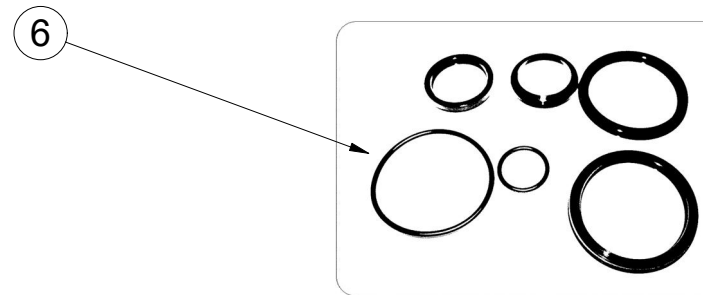
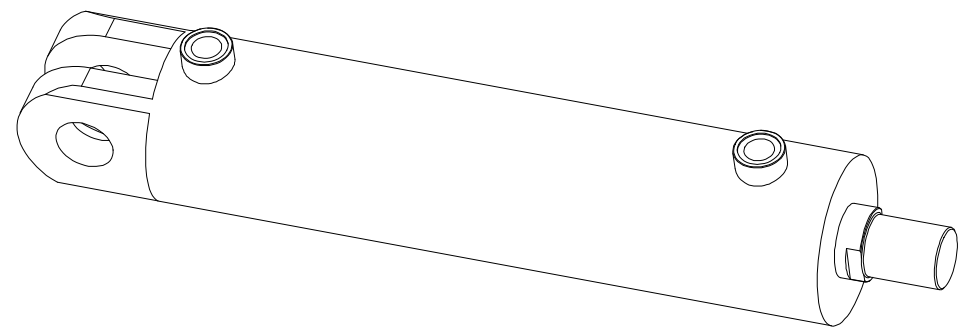
ⒼB SEALING SET FOR PISTON RODS

ⒺU КОМПЛЕКТ ПРОКЛАДОК ЦИЛИНДРОВ

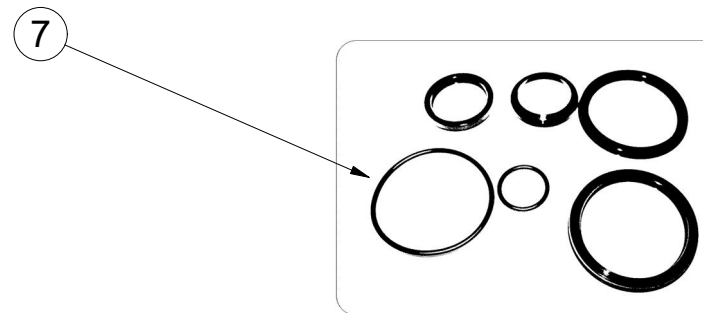
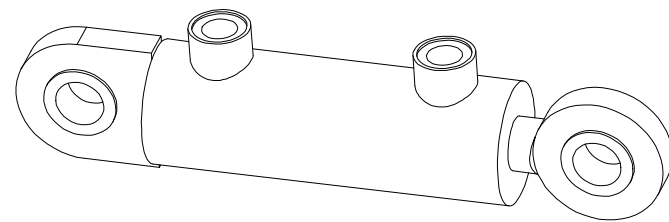
ⒻL ZESTAW USZCZELEK TRZPIENIA TŁOKA



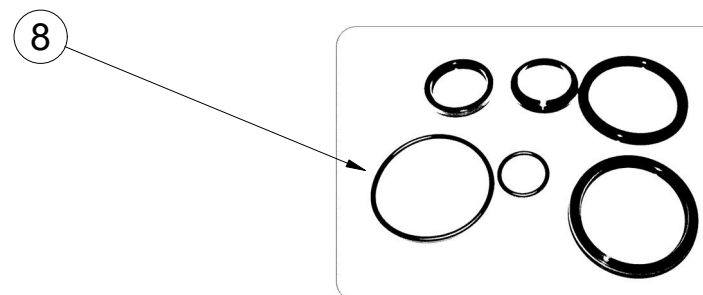
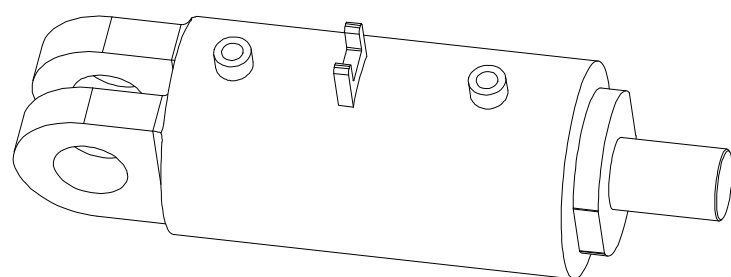
| m20396 - $\varnothing 100/\varnothing 45-125$ | | |
|---|-------------|-----|
| Pos | Part number | Pcs |
| 5 | | 4 |



| m20993 - $\varnothing 100/\varnothing 50-335$ | | |
|---|-------------|-----|
| Pos | Part number | Pcs |
| 6 | m15375 | 1 |

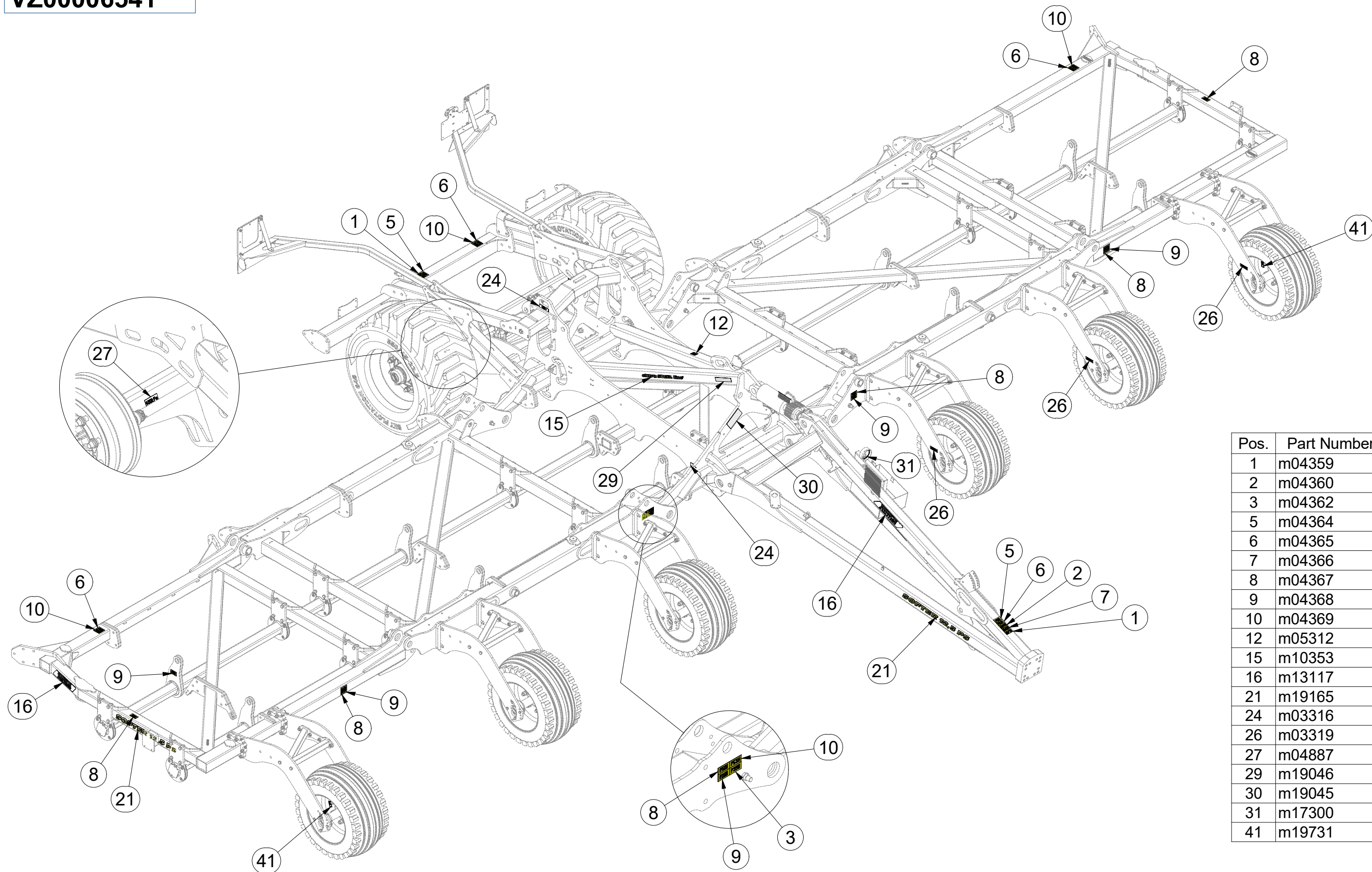


| 9001890 - $\varnothing 40/\varnothing 22-63$ | | |
|--|-------------|-----|
| Pos | Part number | Pcs |
| 7 | m05676 | 2 |



| m21032 - $\varnothing 125/\varnothing 63-110$ | | |
|---|-------------|-----|
| Pos | Part number | Pcs |
| 8 | | 1 |

VZ00006541



| Pos. | Part Number | Pcs. |
|------|-------------|------|
| 1 | m04359 | 2 |
| 2 | m04360 | 1 |
| 3 | m04362 | 1 |
| 5 | m04364 | 2 |
| 6 | m04365 | 4 |
| 7 | m04366 | 1 |
| 8 | m04367 | 6 |
| 9 | m04368 | 5 |
| 10 | m04369 | 4 |
| 12 | m05312 | 1 |
| 15 | m10353 | 2 |
| 16 | m13117 | 8 |
| 21 | m19165 | 6 |
| 24 | m03316 | 5 |
| 26 | m03319 | 6 |
| 27 | m04887 | 2 |
| 29 | m19046 | 1 |
| 30 | m19045 | 1 |
| 31 | m17300 | 1 |
| 41 | m19731 | 2 |

☉ SAMOLEPKY STROJE

☉ AUFKLEBER MASCHINEN

☉ VOITURE MACHINES

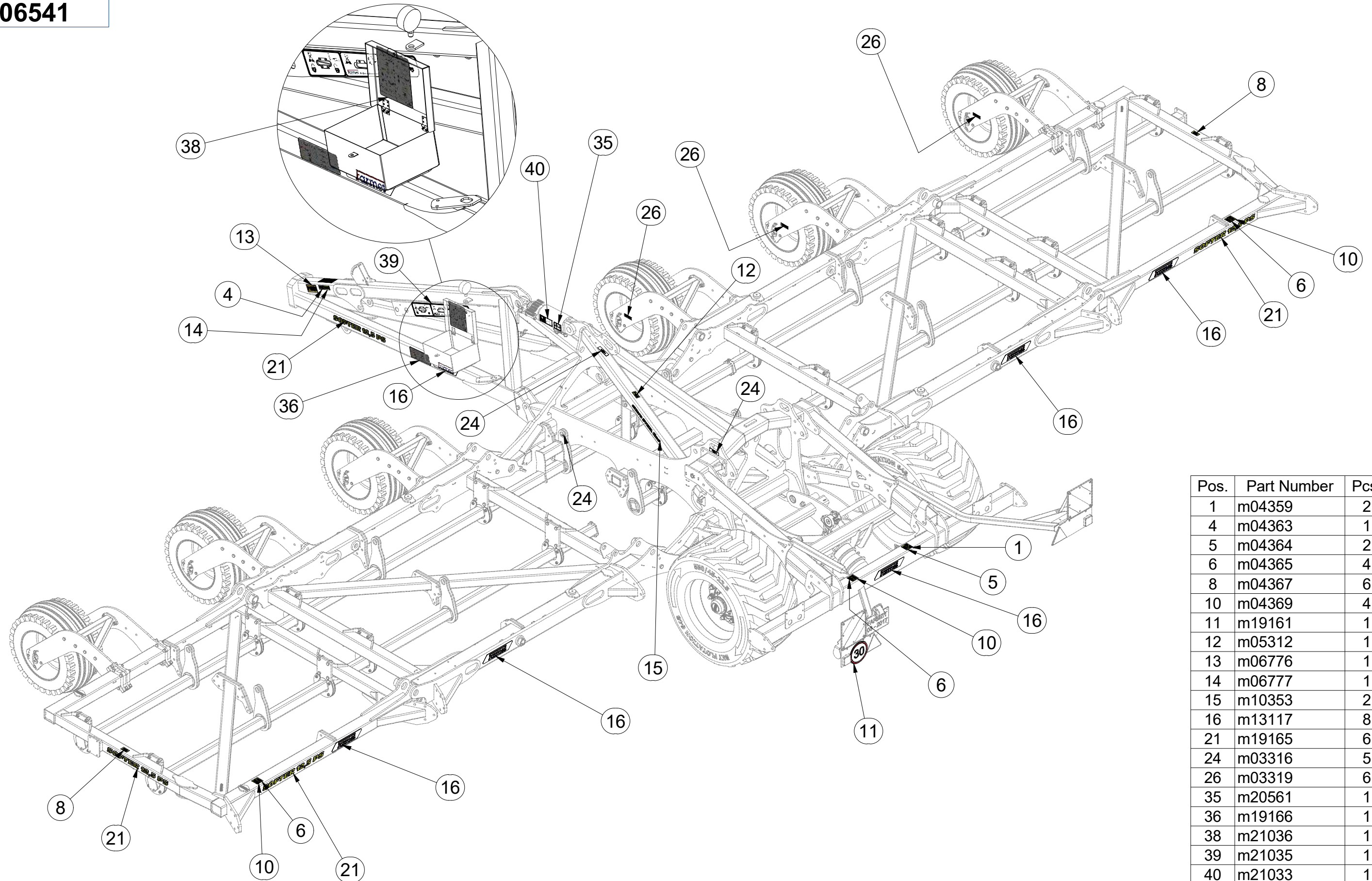
☉ STICKERS MACHINES

☉ СТИКЕРЫ МАШИНЫ

☉ NAKLEJKI MASZYNY



VZ00006541



| Pos. | Part Number | Pcs. |
|------|-------------|------|
| 1 | m04359 | 2 |
| 4 | m04363 | 1 |
| 5 | m04364 | 2 |
| 6 | m04365 | 4 |
| 8 | m04367 | 6 |
| 10 | m04369 | 4 |
| 11 | m19161 | 1 |
| 12 | m05312 | 1 |
| 13 | m06776 | 1 |
| 14 | m06777 | 1 |
| 15 | m10353 | 2 |
| 16 | m13117 | 8 |
| 21 | m19165 | 6 |
| 24 | m03316 | 5 |
| 26 | m03319 | 6 |
| 35 | m20561 | 1 |
| 36 | m19166 | 1 |
| 38 | m21036 | 1 |
| 39 | m21035 | 1 |
| 40 | m21033 | 1 |

Ⓒ SAMOLEPKY STROJE

Ⓓ AUFKLEBER MASCHINEN

Ⓕ VOITURE MACHINES

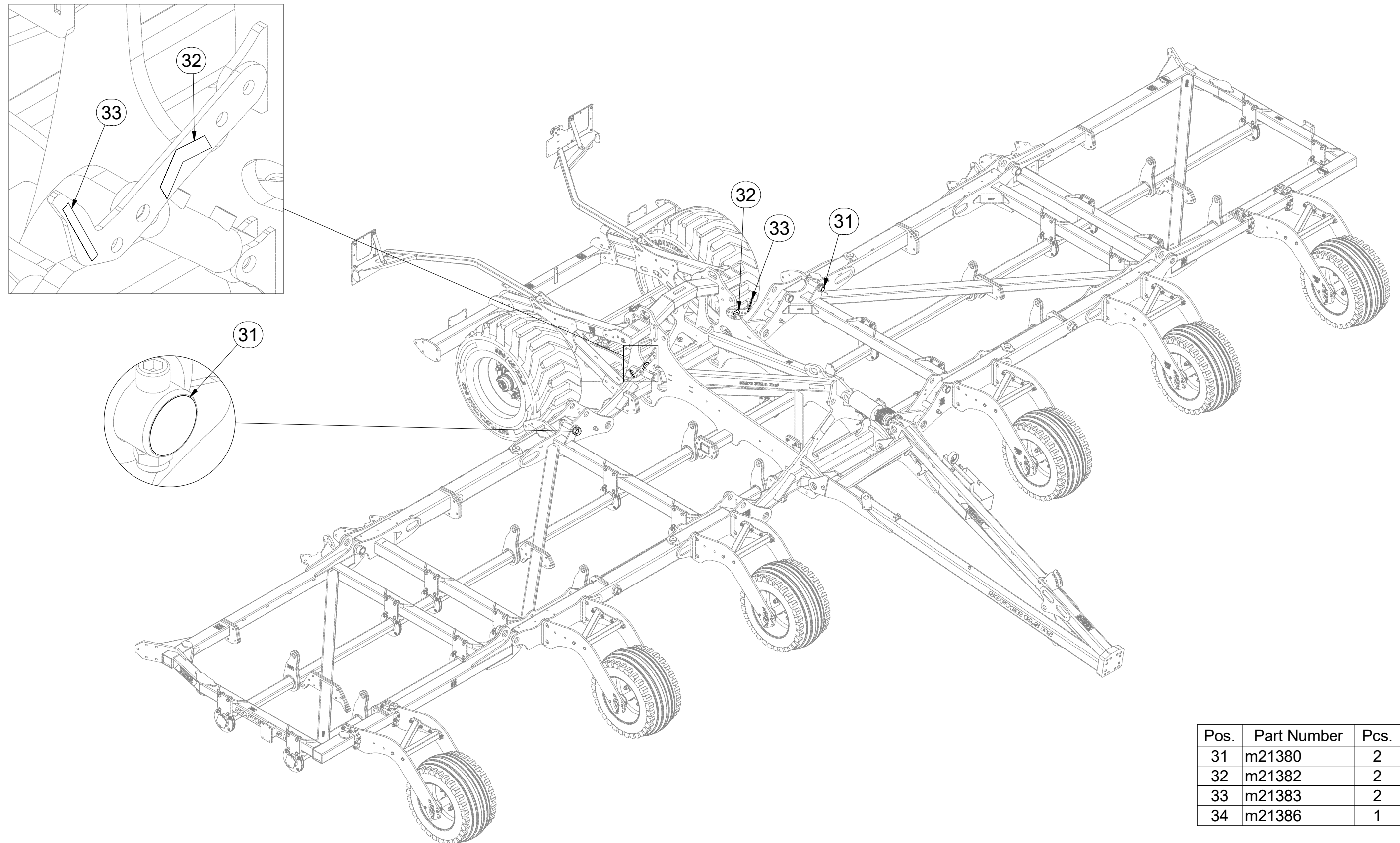
Ⓖ STICKERS MACHINES

Ⓡ СТИКЕРЫ МАШИНЫ

Ⓟ NAKLEJKI MASZYNY



VZ00014144



| Pos. | Part Number | Pcs. |
|------|-------------|------|
| 31 | m21380 | 2 |
| 32 | m21382 | 2 |
| 33 | m21383 | 2 |
| 34 | m21386 | 1 |

Ⓒ SVĚTELNÁ SADA

Ⓓ LEUCHTENSATZ

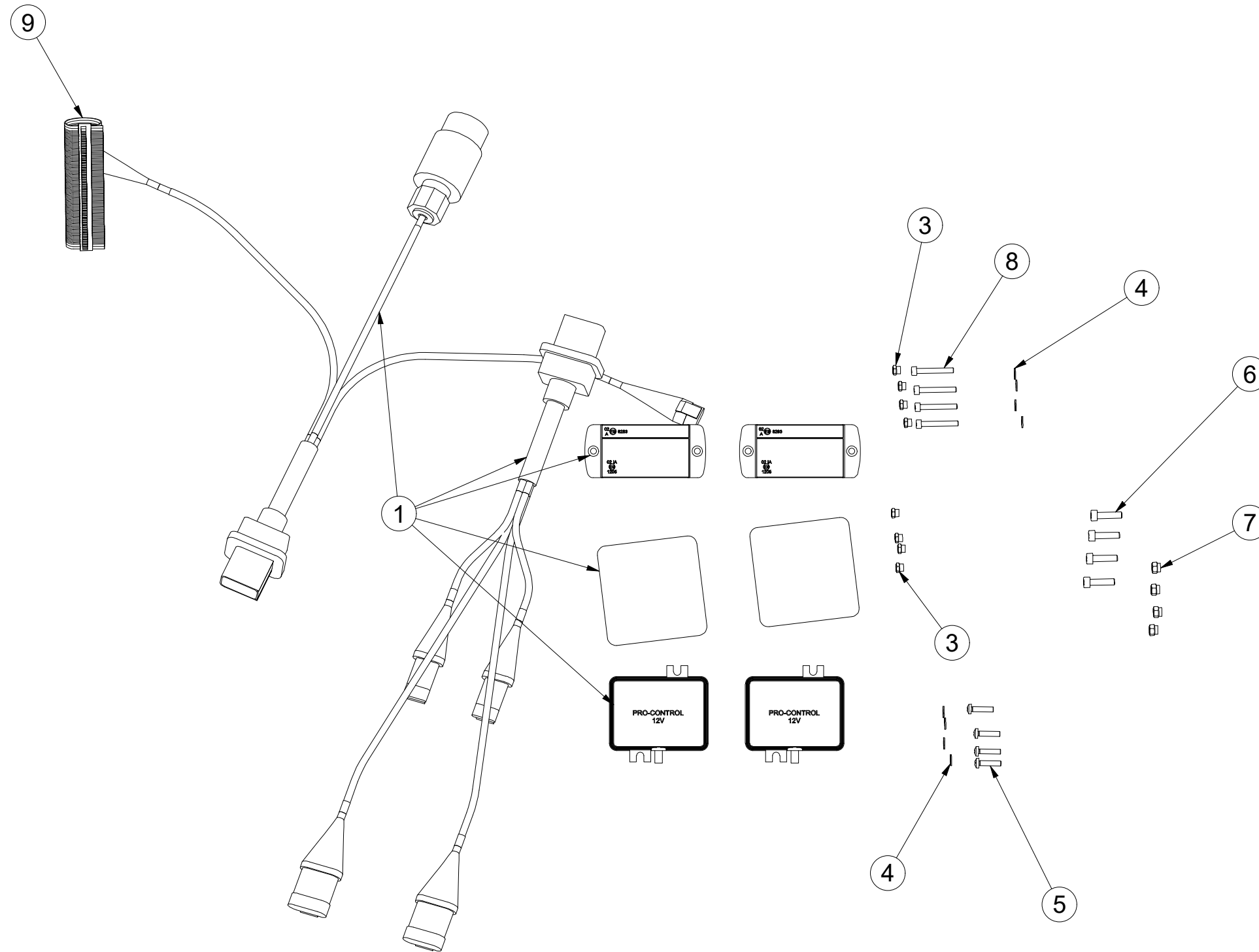
Ⓕ KIT LUMINEUX

VZ00006054

Ⓒ LIGHTING SET

Ⓓ ОСВЕТИТЕЛЬНЫЙ КОМПЛЕКТ

Ⓕ ZESTAW OŚWIETLENIA



| Pos. | Part Number | Pcs. |
|------|-------------|------|
| 1 | m20363 | 1 |
| 3 | m05562 | 8 |
| 4 | m05597 | 8 |
| 5 | m15790 | 4 |
| 6 | m10591 | 4 |
| 7 | m06236 | 4 |
| 8 | m16861 | 4 |
| 9 | m05566 | 50 |

Ⓒ SVĚTELNÁ SADA

Ⓓ LEUCHTENSATZ

Ⓕ KIT LUMINEUX

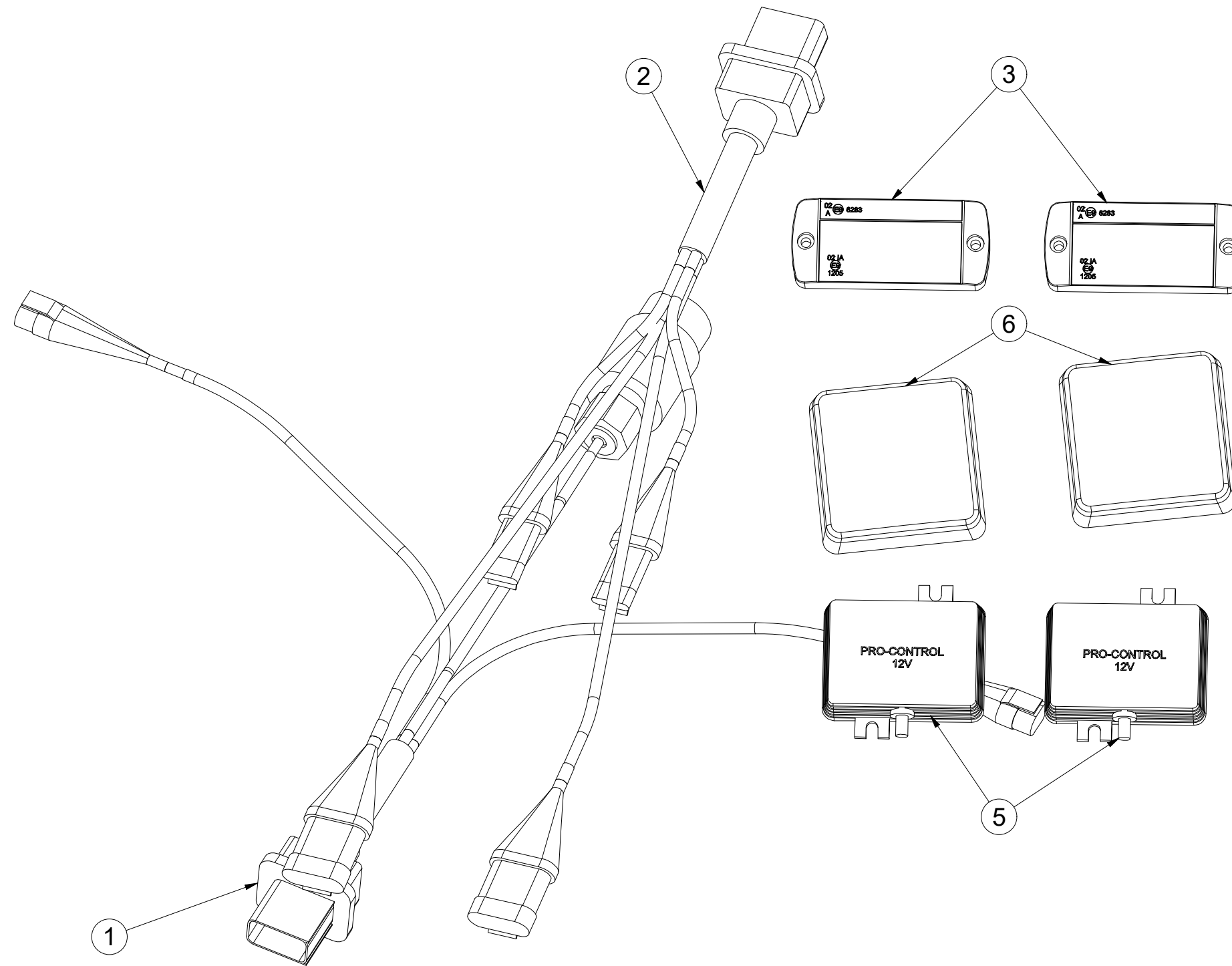
m20363

Ⓒ LIGHTING SET

Ⓓ ОСВЕТИТЕЛЬНЫЙ КОМПЛЕКТ

Ⓕ ZESTAW OŚWIETLENIA

Farmet



| Pos. | Part Number | Pcs. |
|------|-------------|------|
| 1 | m14779 | 1 |
| 2 | m14778 | 1 |
| 3 | m14776 | 2 |
| 5 | m14777 | 2 |
| 6 | m19044 | 2 |

- Ⓒ UTAHOVACÍ MOMENTY ŠROUBŮ
 Ⓓ ANZUGMOMENTE VON SCHRAUBEN
 Ⓕ COUPLES DE SERRAGE DES VIS

- Ⓒ SCREW TIGHTENING TORQUE
 Ⓓ МОМЕНТЫ ЗАЖАТИЯ БОЛТОВ
 Ⓕ MOMENTY DOKRĘCANIA ŚRUB



| P | | 5.8 | 8.8 | 10.9 | 12.9 | Z | |
|-----|------|------|------|-------|-------|----------|-----------|
| D | R | Mu | Mu | Mu | Mu | DIN 7991 | ISO 10642 |
| mm | mm | Nm | Nm | Nm | Nm | Nm | Nm |
| M6 | 1 | 6 | 9 | 13 | 15 | 7,2 | 7,9 |
| M8 | 1,25 | 14 | 22 | 32 | 38 | 17 | 19 |
| M10 | 1,5 | 29 | 44 | 64 | 75 | 35 | 38 |
| M12 | 1,75 | 49 | 76 | 111 | 130 | 58 | 65 |
| M14 | 2 | 79 | 120 | 176 | 206 | 93 | 100 |
| M16 | 2 | 123 | 188 | 276 | 323 | 144 | 158 |
| M18 | 2,5 | 169 | 257 | 378 | 443 | - | 220 |
| M20 | 2,5 | 239 | 365 | 536 | 628 | - | 310 |
| M22 | 2,5 | 329 | 529 | 738 | 864 | - | 420 |
| M24 | 3 | 413 | 629 | 924 | 1082 | - | 530 |
| M27 | 3 | 613 | 934 | 1372 | 1606 | - | - |
| M30 | 3,5 | 832 | 1267 | 1862 | 2179 | - | - |
| M33 | 3,5 | 1130 | 1723 | 2530 | 2961 | - | - |
| M36 | 4 | 1451 | 2210 | 3246 | 3799 | - | - |
| M39 | 4 | 1885 | 2872 | 4217 | 4936 | - | - |
| M42 | 4,5 | 2322 | 3538 | 5196 | 6080 | - | - |
| M45 | 4,5 | 2909 | 4433 | 6511 | 7619 | - | - |
| M48 | 5 | 3513 | 535 | 7862 | 9200 | - | - |
| M52 | 5 | 4524 | 6895 | 10123 | 11849 | - | - |
| M56 | 5,5 | 5636 | 8589 | 12614 | 14761 | - | - |

- Mu - Ⓒ UTAHOVACÍ MOMENT
 Ⓓ ANZUGMOMENTE
 Ⓕ COUPLE DE SERRAGE
 Ⓒ TIGHTENING TORQUE
 Ⓓ МОМЕНТ ЗАЖАТИЯ
 Ⓕ MOMENT DOKRĘCANIA
- D - Ⓒ JMENOVITÝ PRŮMĚR
 Ⓓ NENNDURCHMESSER
 Ⓕ DIAMETRE NOMINAL
 Ⓒ NOMINAL DIAMETER
 Ⓓ НОМИНАЛЬНЫЙ ДИАМЕТР
 Ⓕ ŚREDNICA NOMINALNA
- R - Ⓒ ROZTEČ ZÁVITU - STOUPÁNÍ
 Ⓓ GEWINDESTEIGUNG
 Ⓕ PAS DE FILET - PAS
 Ⓒ SCREW PITCH – LEAD
 Ⓓ ШАГ РЕЗЬБЫ
 Ⓕ ROZSTAW GWINTU - SKOKI
- P - Ⓒ PEVNOST
 Ⓓ FESTIGKEIT
 Ⓕ RÉSISTANCE
 Ⓒ STRENGTH
 Ⓓ ПРОЧНОСТЬ
 Ⓕ WYTRZYMA OŚĆ
- Z - Ⓒ ZÁPUSTNÉ ŠROUBY
 Ⓓ SENKKOPFSCHRAUBEN
 Ⓕ VIS A TETE FRAISEE
 Ⓒ COUNTERSUNK SCREWS
 Ⓓ БОЛТЫ С УТОПЛЕННОЙ ГОЛОВКОЙ
 Ⓕ ŚRUBY Z ŁBEM STOŻKOWYM PŁASKIM

- Ⓒ Hodnoty momentů jsou poníženy o -10% oproti tabulkovým hodnotám. Šroubové spoje utahujte dle vyznačeného utahovacího momentu v dokumentaci. Pokud není utahovací moment v dokumentaci vyznačen, utahujte dle obecné tabulky. Pokud je v dokumentaci definován spoj šroubu a matice o různých pevnostech, vždy utahujte na moment komponenty nižší.
- Ⓓ Die Werte der Anzugsmomente sind um 10 % gegenüber den Tabellenwerten verringert. Ziehen Sie die Schraubverbindungen gemäß dem in der Dokumentation festgeschriebenen Anzugsmoment an. Sofern das Anzugsmoment nicht in der Dokumentation aufgeführt ist, ziehen Sie sie gemäß der allgemeinen Tabelle an. Wenn in der Dokumentation eine Verbindung von Schraube und Mutter mit verschiedene Festigkeiten definiert ist, wird immer mit dem Moment des Bauteils mit der geringeren Festigkeit angezogen.
- Ⓕ Les valeurs des couples de serrage sont baissées de 10% par rapport aux valeurs de tableau. Serrez les raccords à vis selon le couple de serrage indiqué dans les documents. Si le couple de serrage n'est pas indiqué dans les documents, serrez selon le tableau général. Si les documents définissent un assemblage par boulon de diverses résistances, serrez toujours au moment de la composante avec résistance inférieure.
- Ⓒ The torque values are reduced by 10% compared to the table values. Tighten the screw joints according to the tightening torque stated in the documentation. If the tightening torque is not stated in the documentation, tighten according to the general table. If there is a joint with a screw and a nut at different strengths in the documentation, always tighten to the torque of the component with lower strength.
- Ⓓ Значения моментов затяжки уменьшены на 10% по сравнению с данными в таблице. Резьбовые соединения зажимайте с установленным в документации моментом зажатия. Если в документации не указан момент зажатия, то зажимайте по действующей в общем таблице. Если в документации установлено соединение из болта и гайки различной прочности, всегда зажимайте с моментом для компонента с меньшей прочностью.
- Ⓕ Wartości momentów dokręcania są obniżone o 10% w stosunku do wartości z tabeli. Połączenia śrubowe należy dokręcać zgodnie z momentem obrotowym w dokumentacji. Jeśli w dokumentacji nie ma podanego momentu obrotowego, należy dokręcać zgodnie z ogólną tabelą. Jeśli w dokumentacji zdefiniowane jest połączenie ze śrubą nakrętką różnych wytrzymałościach, zawsze należy dokręcać zachowując moment dokręcania komponentu z niższą wytrzymałością.

- Ⓒ UTAHOVACÍ MOMENTY ŠROUBŮ
 Ⓓ ANZUGMOMENTE VON SCHRAUBEN
 Ⓕ COUPLES DE SERRAGE DES VIS

- Ⓖ SCREW TIGHTENING TORQUE
 Ⓡ MOMENTЫ ЗАЖАТИЯ БОЛТОВ
 Ⓟ MOMENTY DOKRĘCANIA ŚRUB



- Ⓒ **OBECNÝ PŘEDPIS UTAHOVÁNÍ ZAJIŠTĚNÍ ČEPOVÝCH SPOJŮ:**
 Ⓓ **ALLGEMEINE VORSCHRIFT FÜR DAS ANZIEHEN VON BOLZENVERBINDUNGEN:**
 Ⓕ **CONSIGNE GENERALE POUR LE SERRAGE DES ARTICULATIONS CYLINDRIQUES:**
 Ⓖ **GENERAL INSTRUCTION FOR TIGHTENING THE SECURING OF PIN JOINTS:**
 Ⓡ **ОБЩЕЕ ОПИСАНИЕ ЗАЖАТИЯ ПРЕДОХРАНЕНИЯ СОЕДИНЕНИЙ ПАЛЬЦАМИ:**
 Ⓟ **OGÓLNE ZASADY DOKRĘCANIA ZABEZPIECZENIA POŁĄCZEŃ CZOPEM:**



X

M8, M10, M12

M14

M

09-15Nm

15-25Nm

- X - Ⓒ ROZMĚR ŠROUBU
 Ⓓ SCHRAUBENGRÖSSE
 Ⓕ DIMENSIONS DE LA VIS

- Ⓖ BOLT DIMENSION
 Ⓡ РАЗМЕР БОЛТА
 Ⓟ ROZMIAR ŚRUBY

- M - Ⓒ ORIENTAČNÍ MOMENT
 Ⓓ ANZUGSMOMENT
 Ⓕ COUPLE D'ORIENTATION

- Ⓖ ORIENTATION TORQUE
 Ⓡ ОРИЕНТАЦИОННЫЙ МОМЕНТ
 Ⓟ ORIENTACYJNY MOMENT

- Ⓒ Tyto spoje není nutné ověřovat kontrolou momentovým klíčem = stačí vizuálně kontrolovat sešroubování.
 Ⓓ Diese Verbindungen müssen nicht mit einem Drehmomentschlüssel überprüft werden = es genügt, die Verschraubung visuell zu kontrollieren.
 Ⓕ Il n'est pas nécessaire de contrôler le serrage à l'aide d'une clé dynamométrique = un contrôle visuel de l'assemblage suffit.
 Ⓖ These joints do not have to be verified by checking with a torque wrench = visual inspection of bolting is sufficient.
 Ⓡ Эти соединения не нужно контролировать динамометрическим ключом = достаточно визуально проверять прикручивание.
 Ⓟ Nie trzeba sprawdzać tych połączeń kluczem dynamometrycznym = wystarczy wizualnie skontrolować dokręcenie.