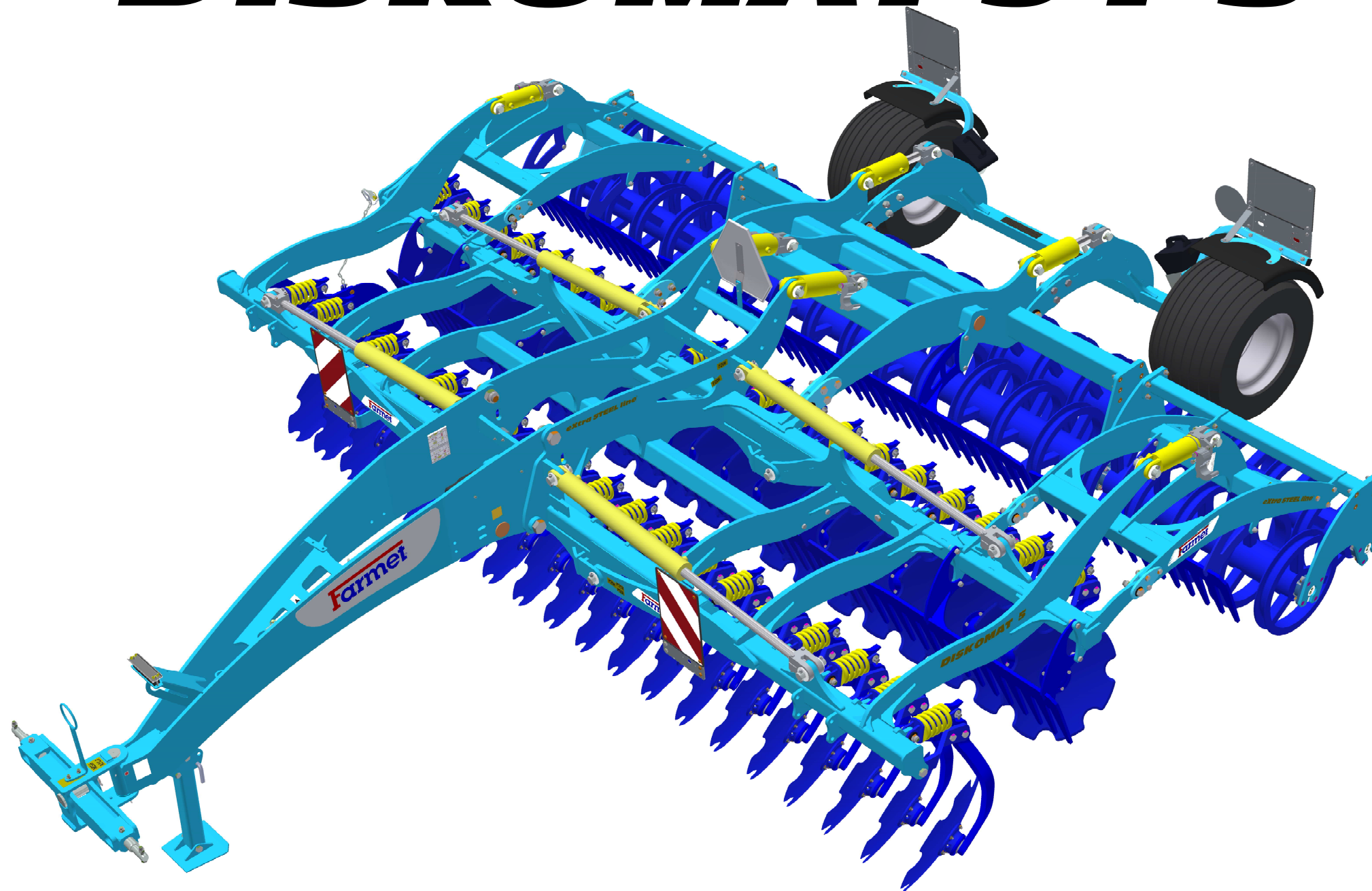


The effective technology

**Farmet**

ⒸZ KATALOG NÁHRADNÍCH DÍLŮ ⒸB CATALOGUE OF SPARE PARTS ⒸD ERSATZTEILLISTE  
ⒸRU КАТАЛОГ ЗАПАСНЫХ ЧАСТЕЙ ⒸF CATALOGUE DES PIÈCES DE RECHANGE ⒸPL KATALOG CZĘŚCI ZAMIENNYCH

# DISKOMAT 5 PS



ⒸZ Platnost pro vrcholové | výrobní číslo stroje ⒸB Validity for the top | serial number of the machine  
ⒸD Gültigkeit für die Haupt- | Herstellungsnummer der Maschine ⒸRU Действительно для главного | заводского номера машины  
ⒸF Validité du numéro de référence | de série de la machine ⒸPL Obowiązuje dla numeru głównego | seryjnego maszyny

**9315161 | 2019/0467**

Farmet a. s.  
Jiřinková 276  
552 03 Česká Skalice, CZ

telefon: +420 491 450 111  
fax: +420 491 450 136  
GSM: +420 774 715 738

IČ: 46504931  
DIČ: CZ46504931

web: [www.farmet.cz](http://www.farmet.cz)  
e-mail: [farmet@farmet.cz](mailto:farmet@farmet.cz)

Ⓒ NAVIGACE STROJE

Ⓓ NAVIGATION DER MASCHINE

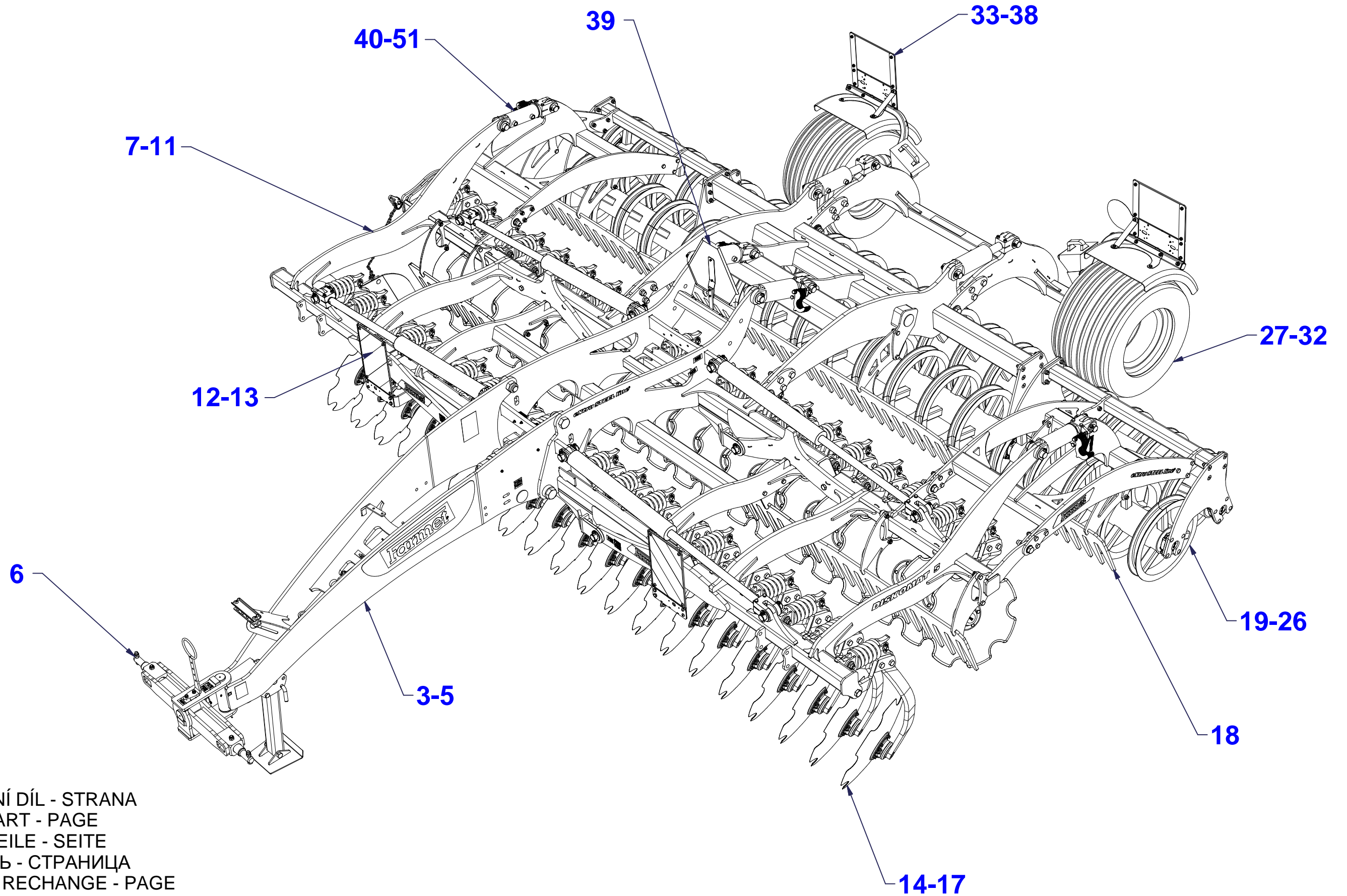
Ⓕ NAVIGATION DE LA MACHINE

Ⓒ NAVIGATION OF THE MACHINE

Ⓓ НАВИГАЦИЯ МАШИНЫ

Ⓕ NAWIGACJA MASZYNY

**Farmet**



Ⓒ NÁHRADNÍ DÍL - STRANA

Ⓒ SPARE PART - PAGE

Ⓒ ERSATZTEILE - SEITE

Ⓒ ЗАПЧАСТЬ - СТРАНИЦА

Ⓒ PIÈCE DE RECHANGE - PAGE

Ⓒ CZĘŚCI ZAMIENNE - STRONA



Ⓒ CZ OJ T3

Ⓓ DEICHSEL T3

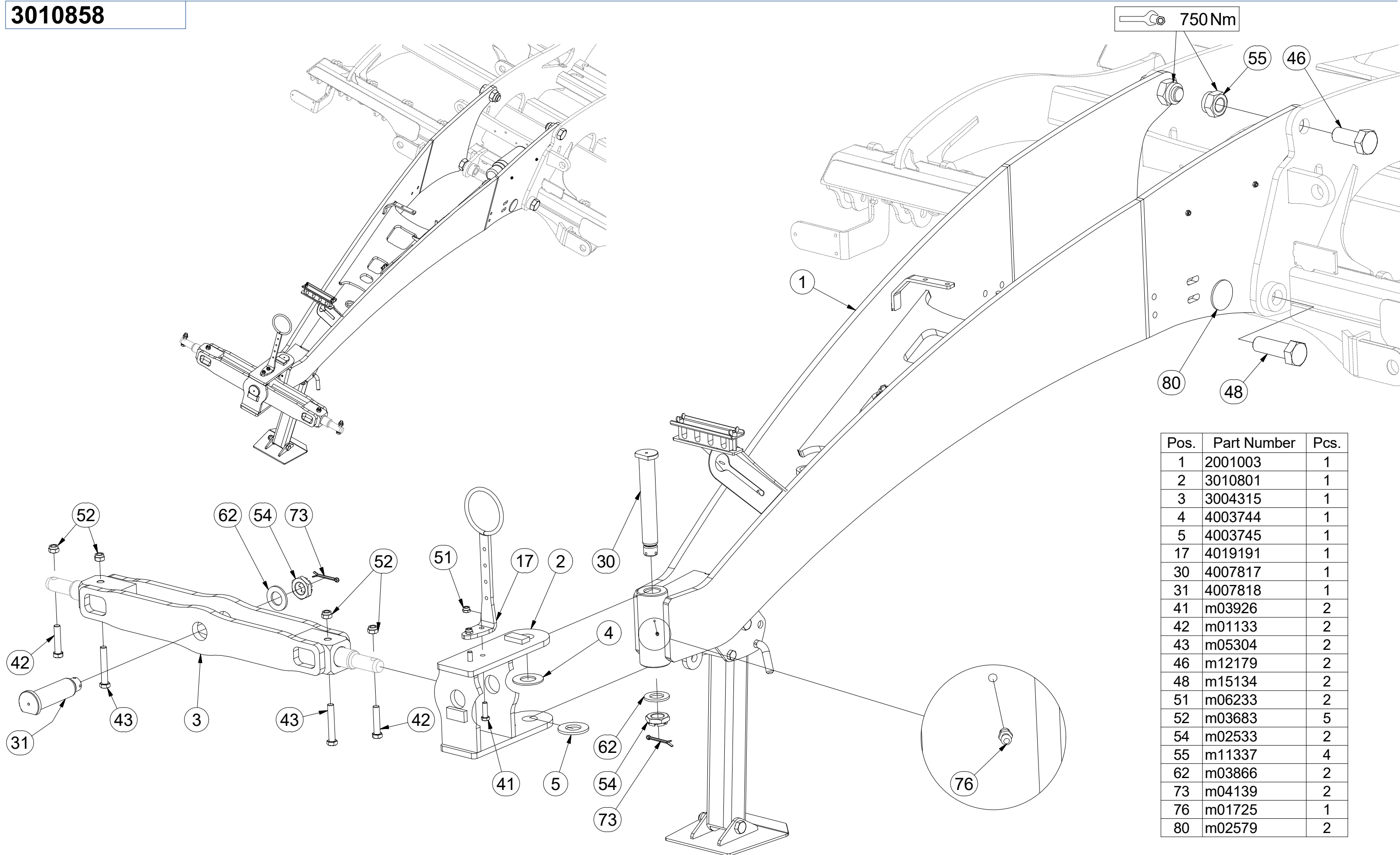
Ⓕ TIMON T3

**3010858**

Ⓖ GB TOW BAR T3

Ⓡ RU ДЫШЛО T3

Ⓟ PL DYSZEL T3



| Pos. | Part Number | Pcs. |
|------|-------------|------|
| 1    | 2001003     | 1    |
| 2    | 3010801     | 1    |
| 3    | 3004315     | 1    |
| 4    | 4003744     | 1    |
| 5    | 4003745     | 1    |
| 17   | 4019191     | 1    |
| 30   | 4007817     | 1    |
| 31   | 4007818     | 1    |
| 41   | m03926      | 2    |
| 42   | m01133      | 2    |
| 43   | m05304      | 2    |
| 46   | m12179      | 2    |
| 48   | m15134      | 2    |
| 51   | m06233      | 2    |
| 52   | m03683      | 5    |
| 54   | m02533      | 2    |
| 55   | m11337      | 4    |
| 62   | m03866      | 2    |
| 73   | m04139      | 2    |
| 76   | m01725      | 1    |
| 80   | m02579      | 2    |

CZ OJ T3

D DEICHSEL T3

F TIMON T3

GB TOW BAR T3

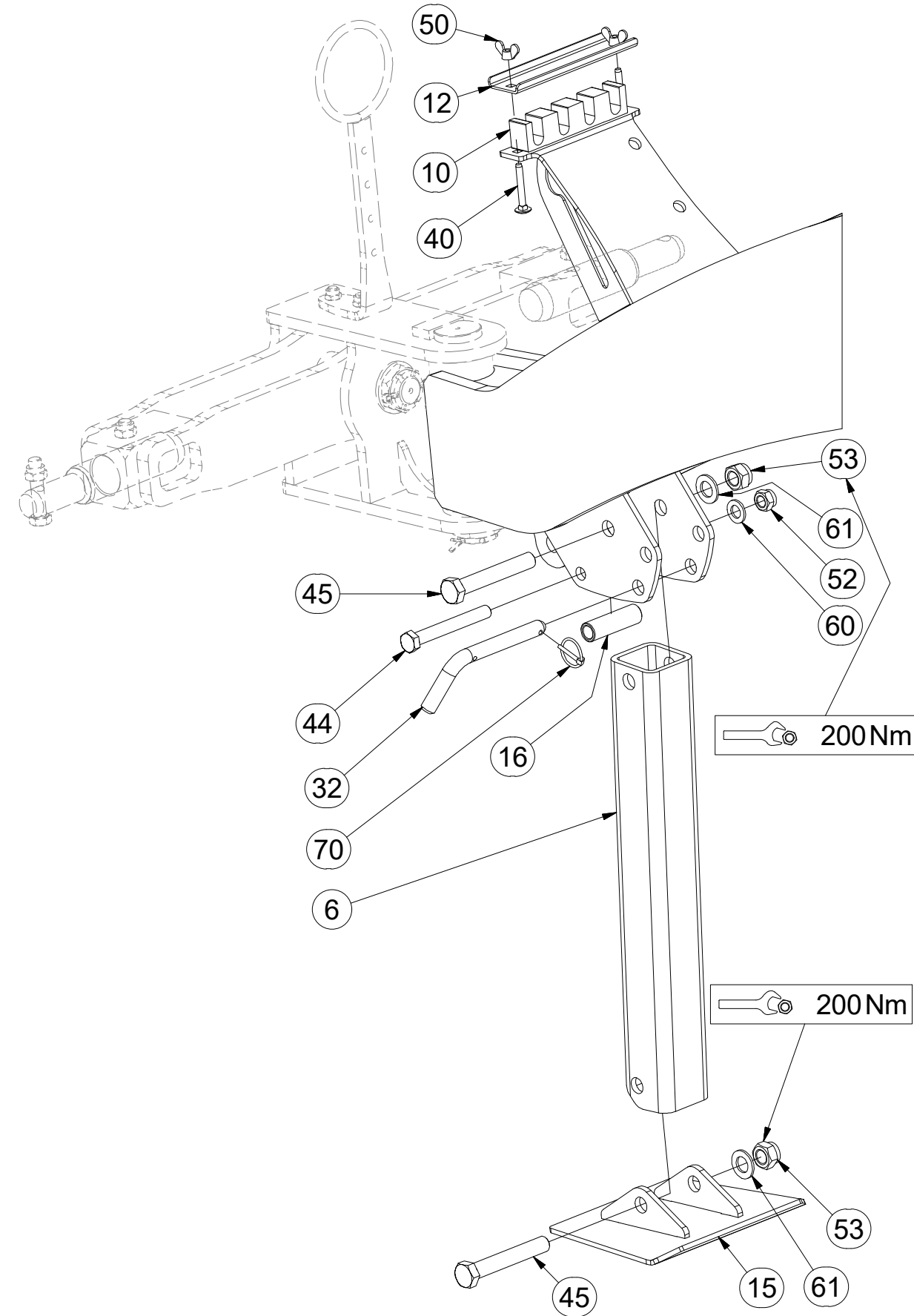
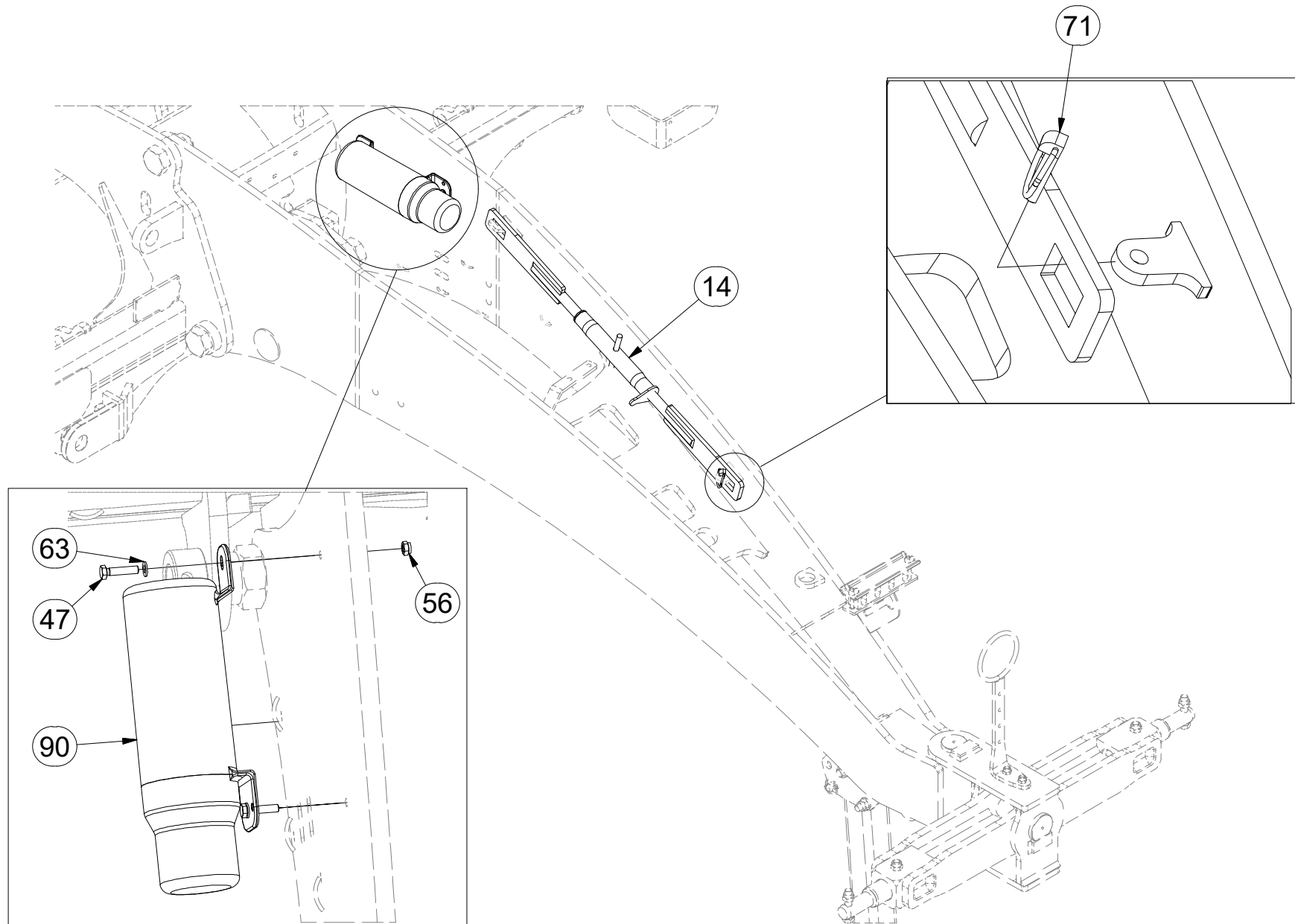
RU ДЫШЛО T3

PL DYSZEL T3



**3010858**

| Pos. | Part Number | Pcs. | Pos. | Part Number | Pcs. |
|------|-------------|------|------|-------------|------|
| 6    | 4006699     | 1    | 50   | m01316      | 2    |
| 10   | 4005201     | 1    | 52   | m03683      | 5    |
| 12   | 4004109     | 1    | 53   | m05648      | 2    |
| 14   | 4018461     | 1    | 56   | m04503      | 2    |
| 15   | 4007000     | 1    | 60   | m01219      | 1    |
| 16   | 4004007     | 1    | 61   | m03768      | 2    |
| 32   | m08386      | 1    | 63   | m01203      | 2    |
| 40   | m09247      | 2    | 70   | m10454      | 1    |
| 44   | m04404      | 1    | 71   | m02505      | 1    |
| 45   | m05465      | 2    | 90   | m15900      | 1    |
| 47   | m01096      | 2    |      |             |      |



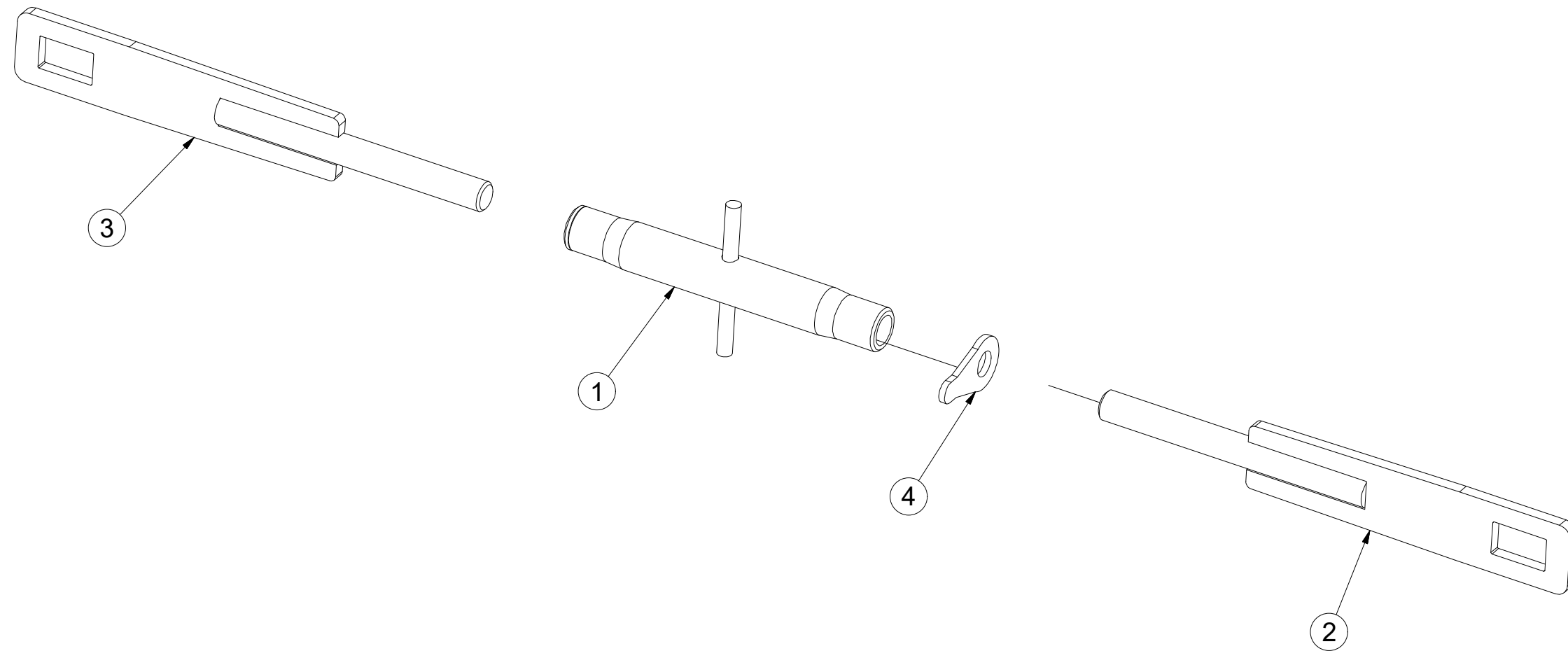


Ⓒ SPOJOVACÍ TÁHLO  
Ⓓ VERBINDUNGSSTANGE  
Ⓕ TIGE DE RACCORDEMENT

Ⓖ CONNECTING ROD  
Ⓡ СОЕДИНИТЕЛЬНАЯ ТЯГА  
Ⓟ KORBOWÓD



**4018461**



| Pos. | Part Number | Pcs. |
|------|-------------|------|
| 1    | m08880      | 1    |
| 2    | 4018462     | 1    |
| 3    | 4018463     | 1    |
| 4    | m08881      | 1    |

Ⓒ SADA ČEPŮ TBZ 3

Ⓓ BOLZENSATZ TBZ 3

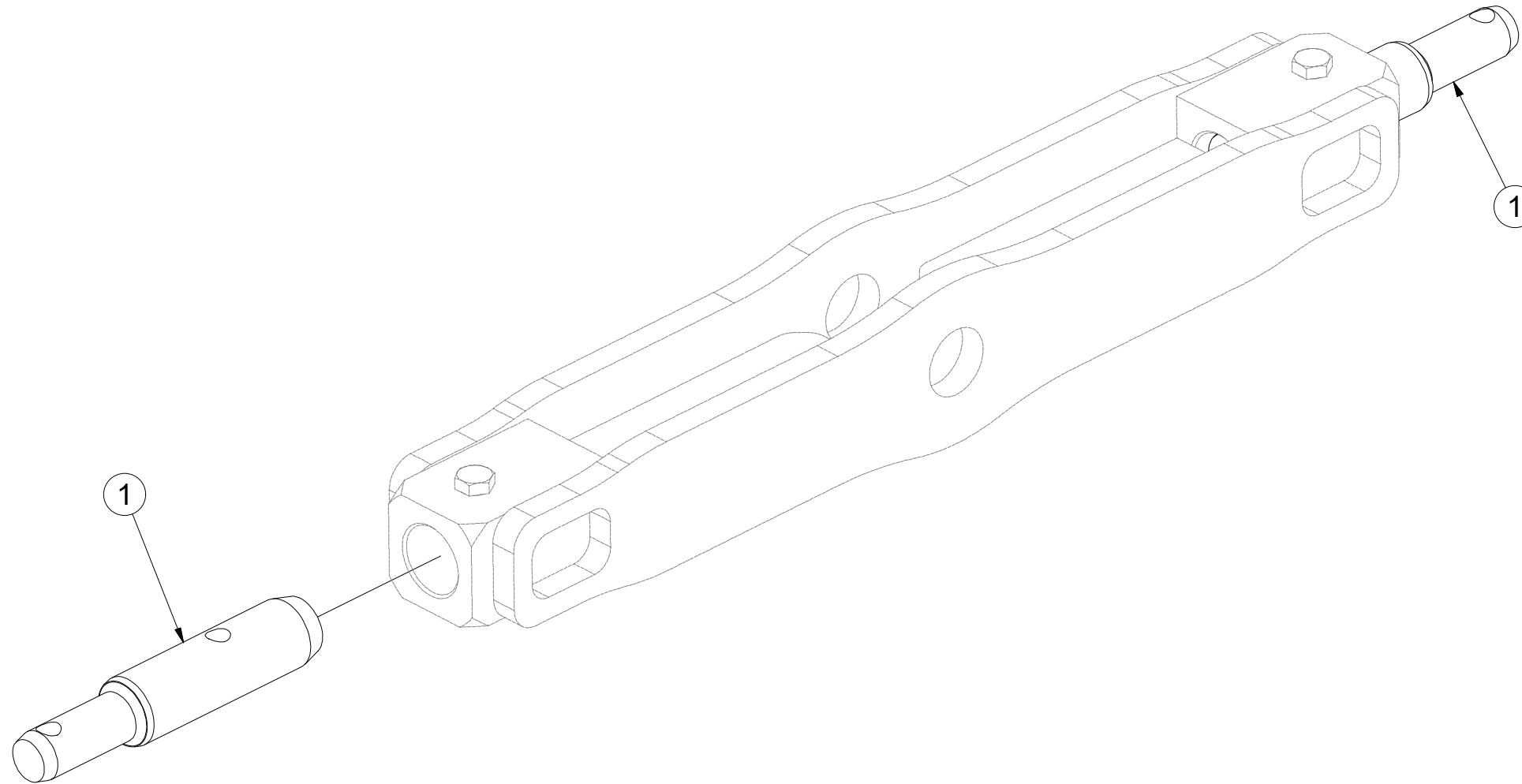
Ⓕ KIT D'EMBOUITS TBZ 3

**4020780**

Ⓖ SET OF TBZ 3 PINS

Ⓡ КОМПЛЕКТ ПАЛЬЦЕВ TBZ 3

Ⓟ ZESTAW CZOPÓW TBZ 3



| Pos. | Part Number | Pcs. |
|------|-------------|------|
| 1    | 4008217     | 2    |

☉ ZÁKLAD STROJE

☐ UNTERBAU DER MASCHINE

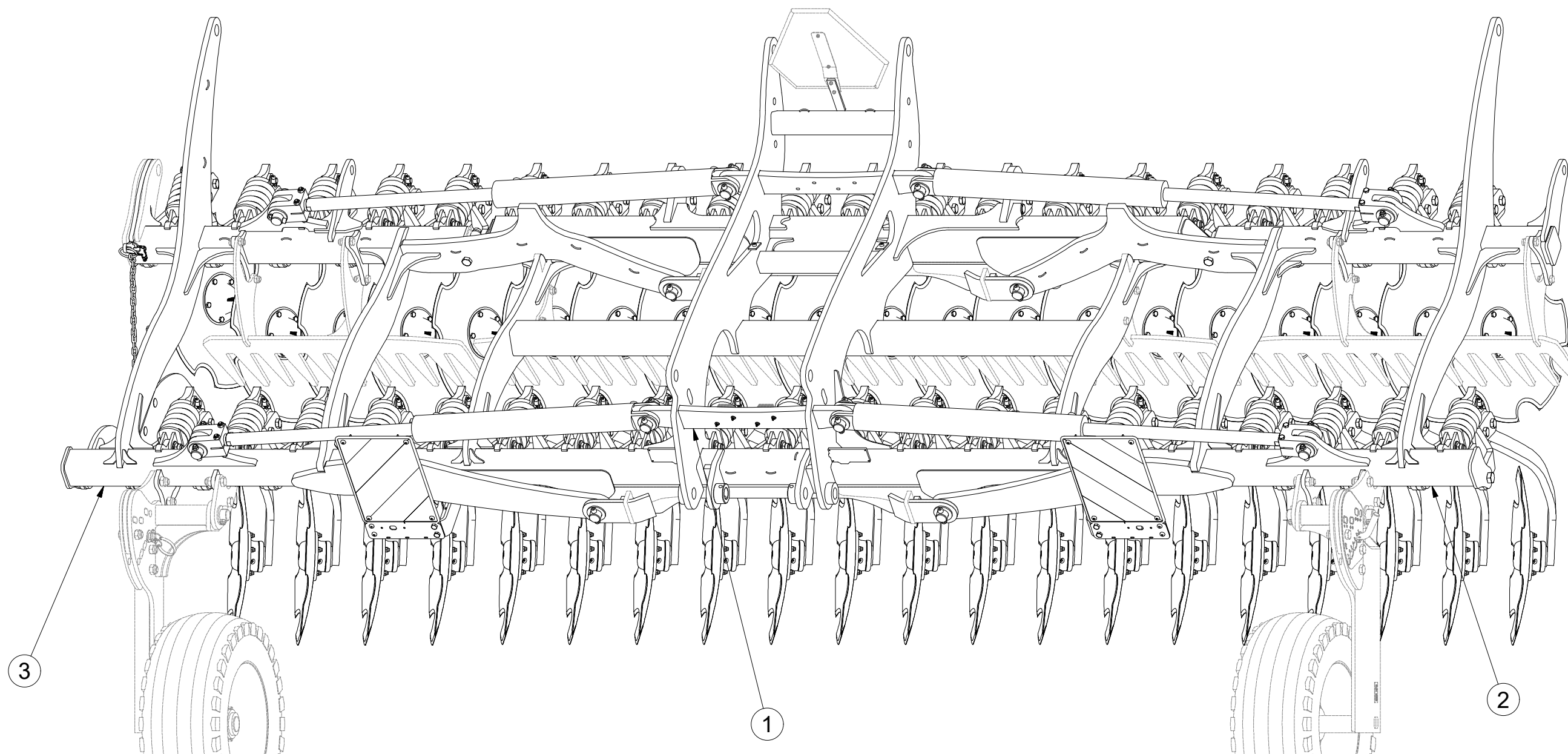
☉ BÂTI DE LA MACHINE

**3009242**

☉ FOOTING OF THE MACHINE

☉ ОСНОВАНИЕ МАШИНЫ

☉ PODSTAWA MASZyny



| Pos. | Part Number | Pcs. |
|------|-------------|------|
| 1    | 6000657     | 1    |
| 2    | 1000623     | 1    |
| 3    | 1000624     | 1    |



☉ ZÁKLAD STROJE

☐ UNTERBAU DER MASCHINE

☐ BÂTI DE LA MACHINE

☉ FOOTING OF THE MACHINE

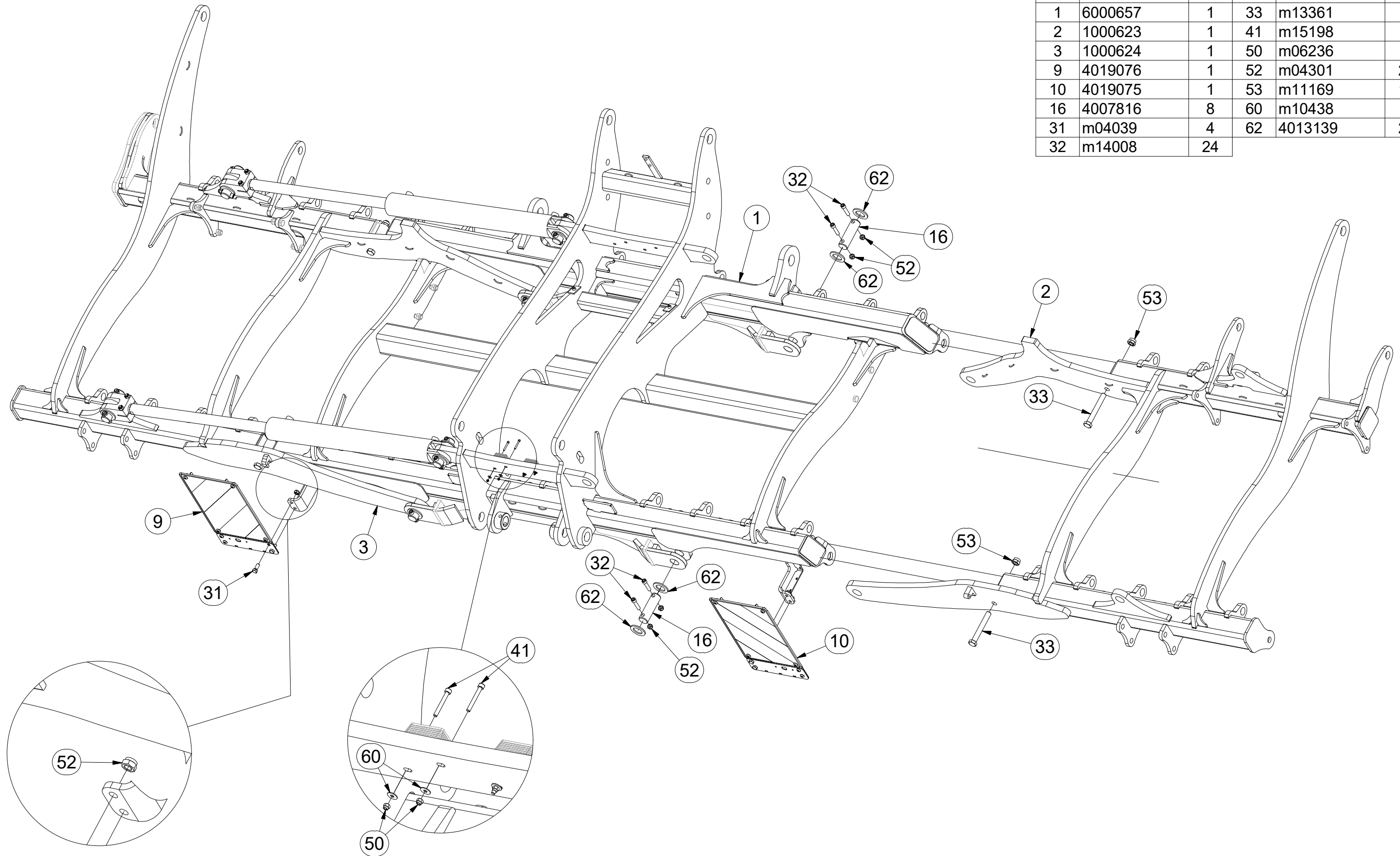
☉ ОСНОВАНИЕ МАШИНЫ

☉ PODSTAWA MASZyny



**3009242**

| Pos. | Part Number | Pcs. | Pos. | Part Number | Pcs. |
|------|-------------|------|------|-------------|------|
| 1    | 6000657     | 1    | 33   | m13361      | 4    |
| 2    | 1000623     | 1    | 41   | m15198      | 4    |
| 3    | 1000624     | 1    | 50   | m06236      | 4    |
| 9    | 4019076     | 1    | 52   | m04301      | 28   |
| 10   | 4019075     | 1    | 53   | m11169      | 12   |
| 16   | 4007816     | 8    | 60   | m10438      | 4    |
| 31   | m04039      | 4    | 62   | 4013139     | 24   |
| 32   | m14008      | 24   |      |             |      |



Ⓒ ZÁKLAD STROJE

Ⓓ UNTERBAU DER MASCHINE

Ⓕ BÂTI DE LA MACHINE

Ⓖ FOOTING OF THE MACHINE

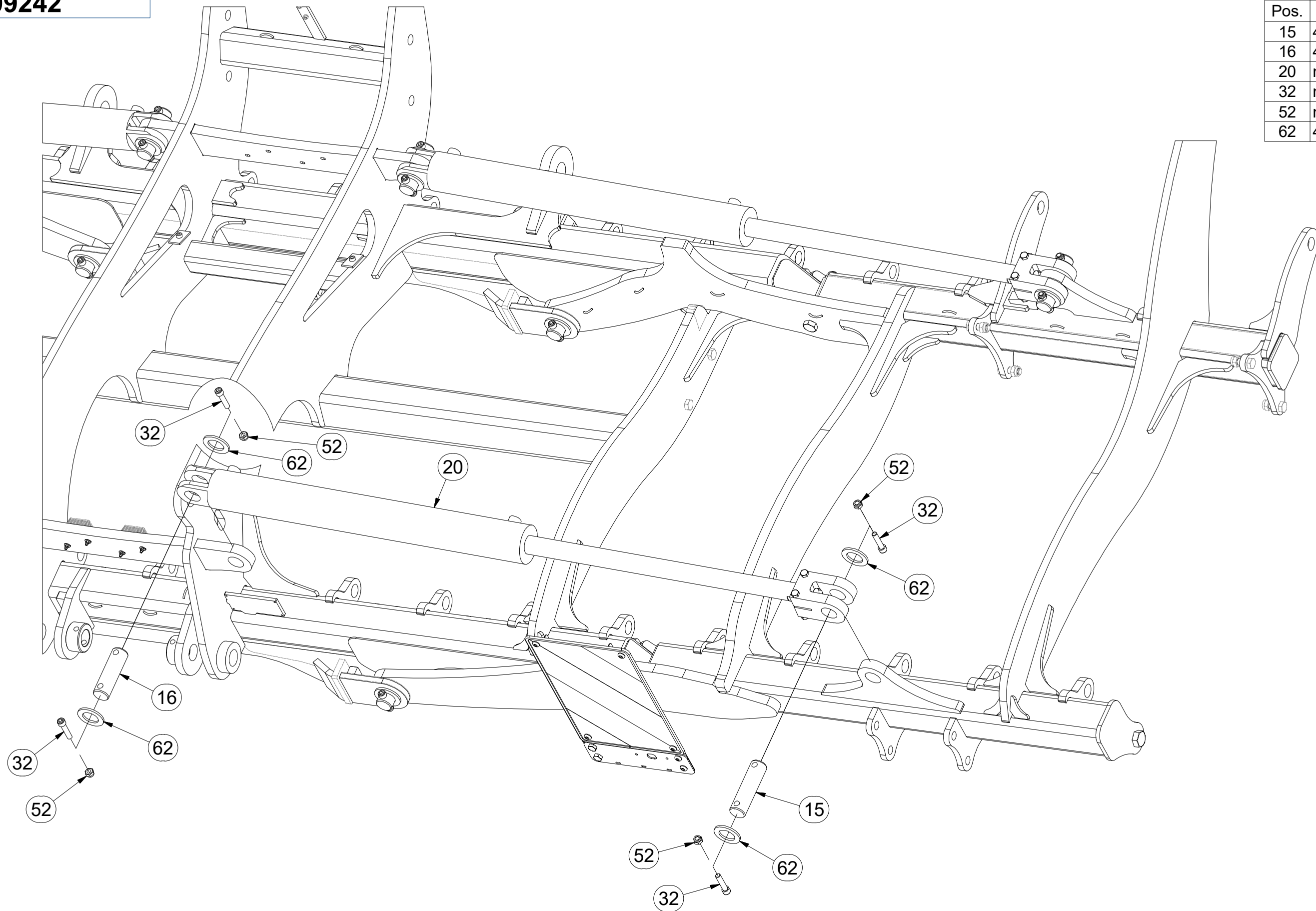
Ⓡ ОСНОВАНИЕ МАШИНЫ

Ⓢ PODSTAWA MASZyny



**3009242**

| Pos. | Part Number | Pcs. |
|------|-------------|------|
| 15   | 4012990     | 4    |
| 16   | 4007816     | 8    |
| 20   | m17339      | 4    |
| 32   | m14008      | 24   |
| 52   | m04301      | 28   |
| 62   | 4013139     | 24   |



☉ ZÁKLAD STROJE

☉ UNTERBAU DER MASCHINE

☉ BÂTI DE LA MACHINE

☉ FOOTING OF THE MACHINE

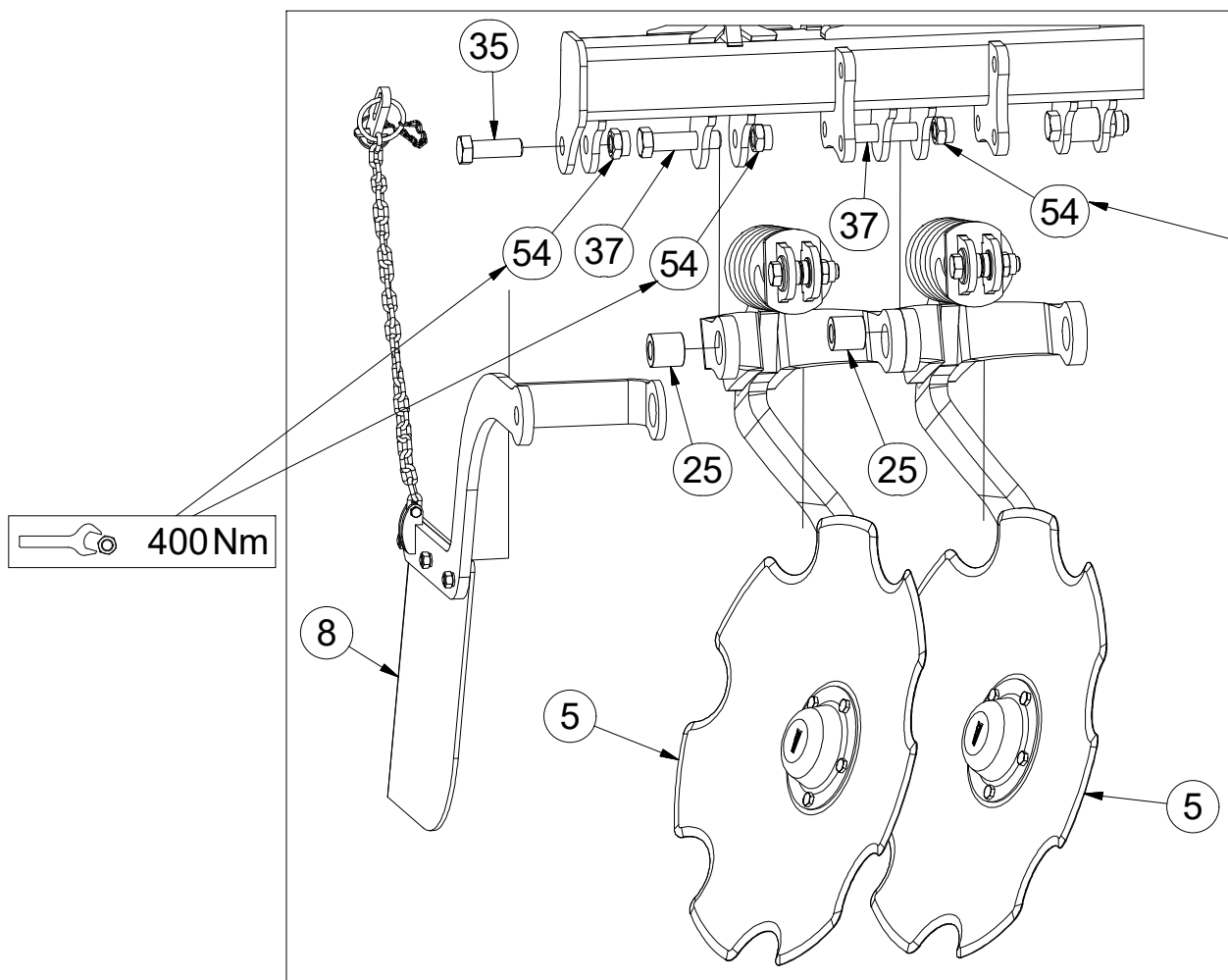
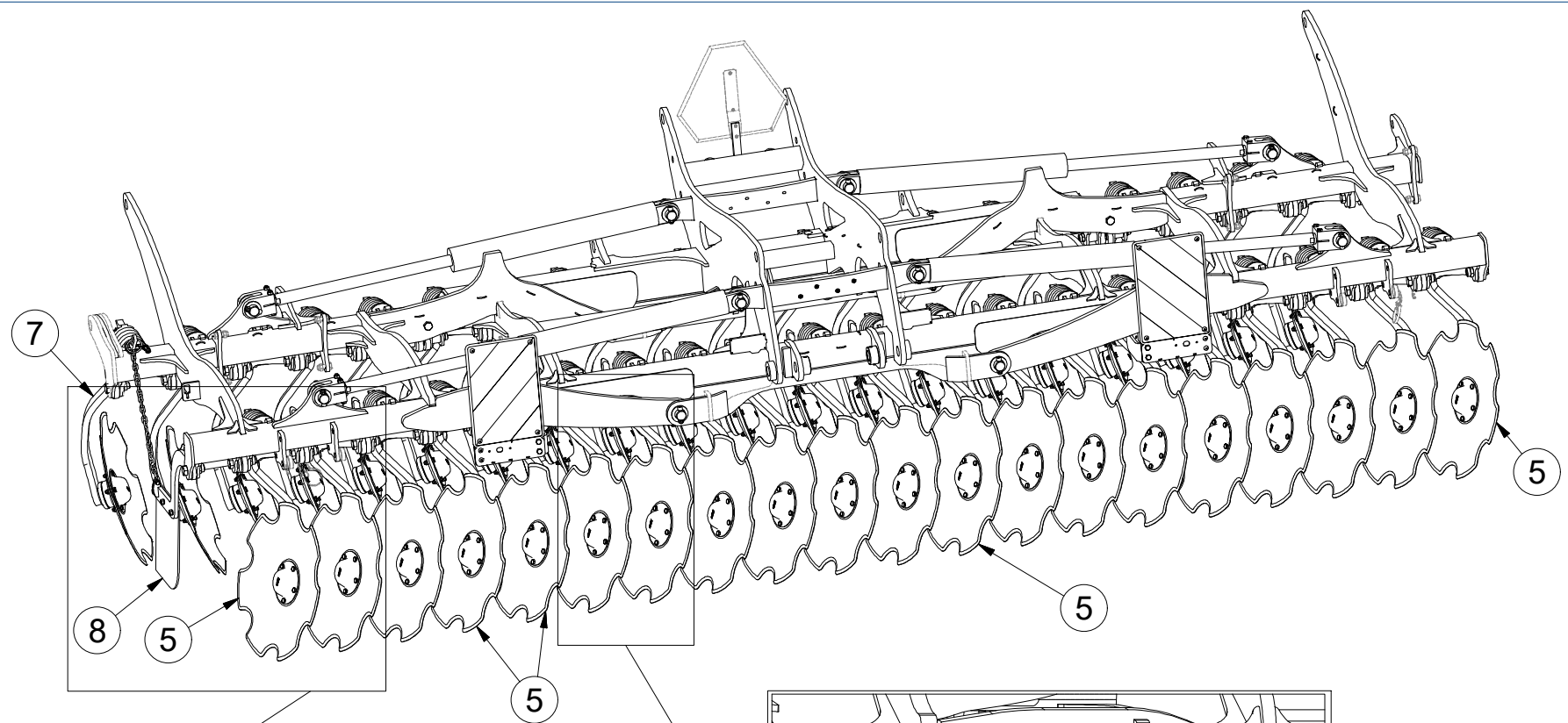
☉ ОСНОВАНИЕ МАШИНЫ

☉ PODSTAWA MASZYNY

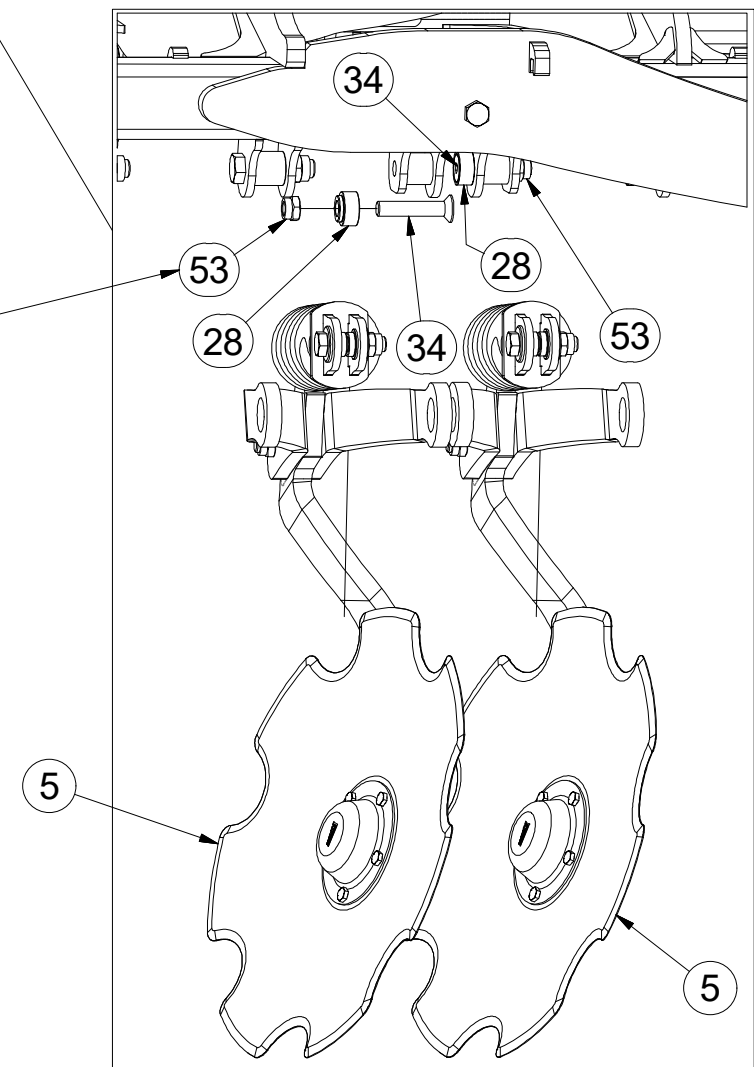


**3009242**

| Pos. | Part Number | Pcs. |
|------|-------------|------|
| 5    | 3006887     | 20   |
| 7    | 3006890     | 1    |
| 8    | 3006899     | 1    |
| 25   | m16889      | 34   |
| 28   | m16892      | 8    |
| 34   | m14189      | 8    |
| 35   | m13565      | 2    |
| 37   | m11226      | 34   |
| 53   | m11169      | 12   |
| 54   | m13009      | 39   |



400Nm





☉ ZÁKLAD STROJE

☉ UNTERBAU DER MASCHINE

☉ BÂTI DE LA MACHINE

☉ FOOTING OF THE MACHINE

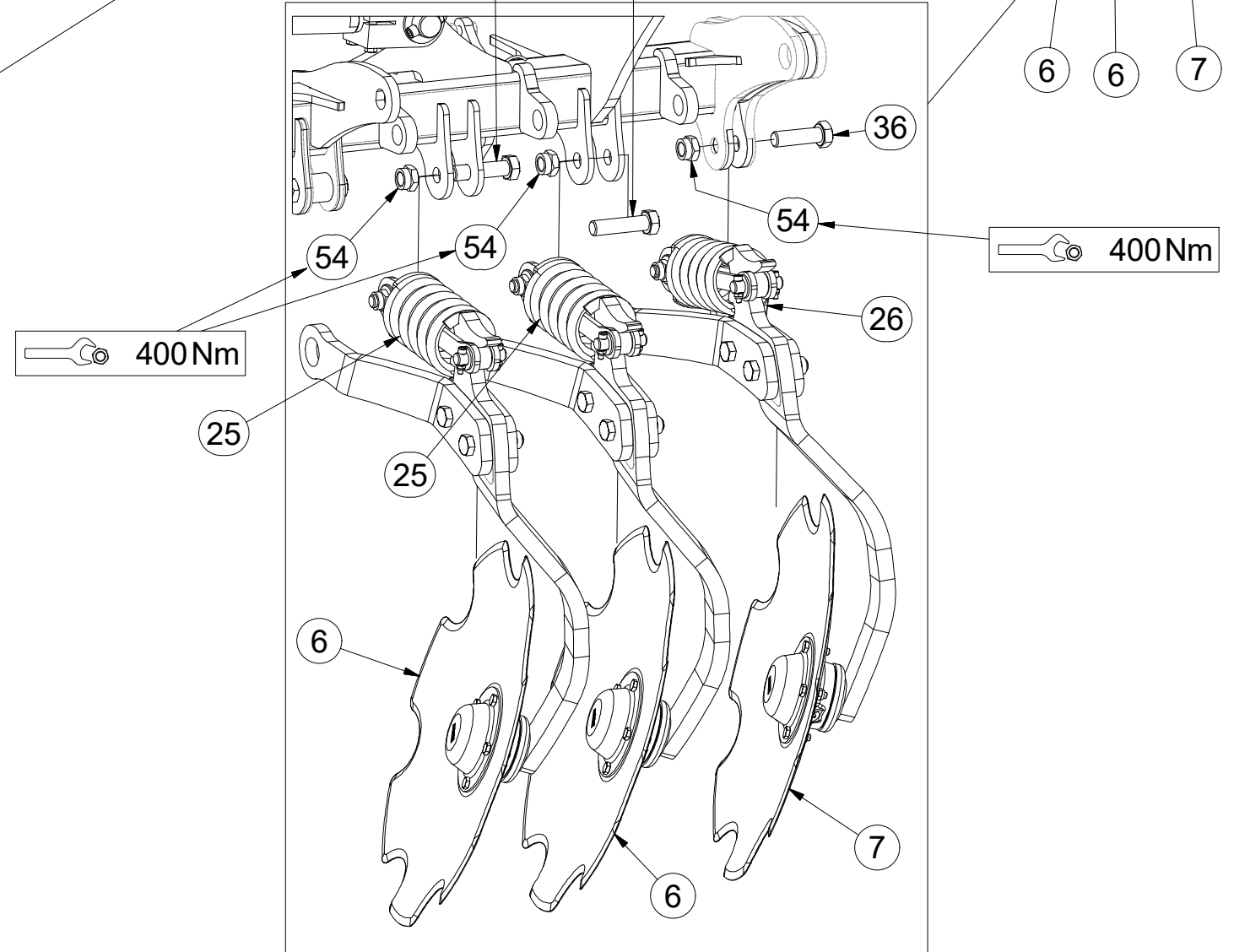
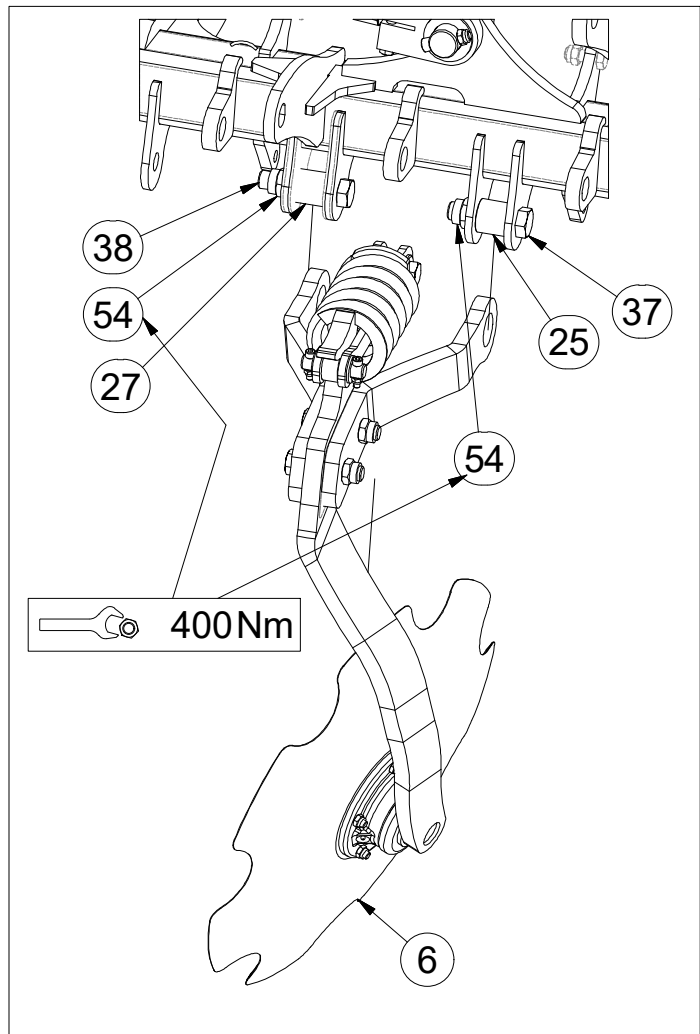
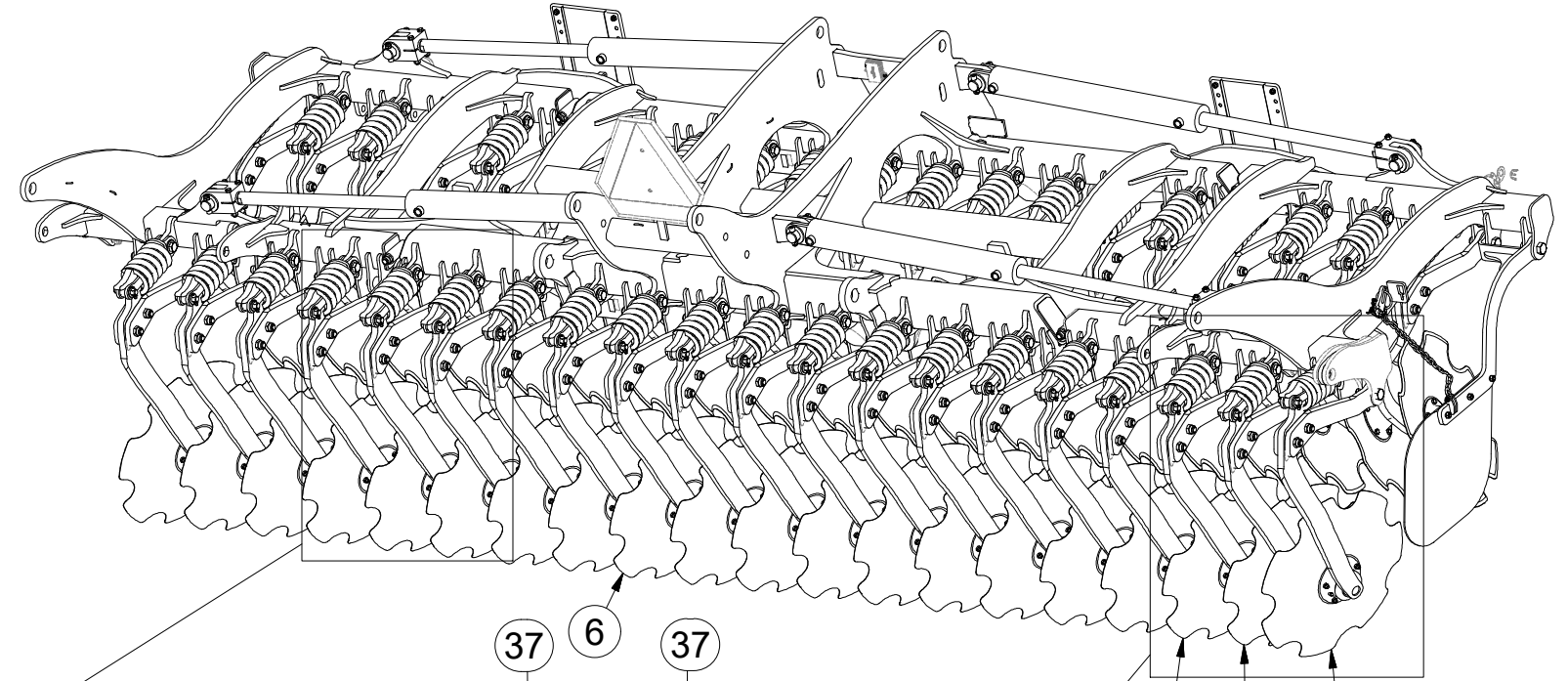
☉ ОСНОВАНИЕ МАШИНЫ

☉ PODSTAWA MASZYNY



**3009242**

| Pos. | Part Number | Pcs. |
|------|-------------|------|
| 6    | 3006888     | 19   |
| 7    | 3006890     | 1    |
| 8    | 3006899     | 1    |
| 25   | m16889      | 34   |
| 26   | m16890      | 2    |
| 27   | m16891      | 2    |
| 36   | m03401      | 1    |
| 37   | m11226      | 34   |
| 38   | m06604      | 2    |
| 54   | m13009      | 39   |



Ⓒ CZ TERČ PŘEDNÍ LEVÝ

Ⓓ D SCHILD, VORDERES, LINKES

Ⓕ F CIBLE AVANT GAUCHE

Ⓒ GB LEFT FRONT DISC

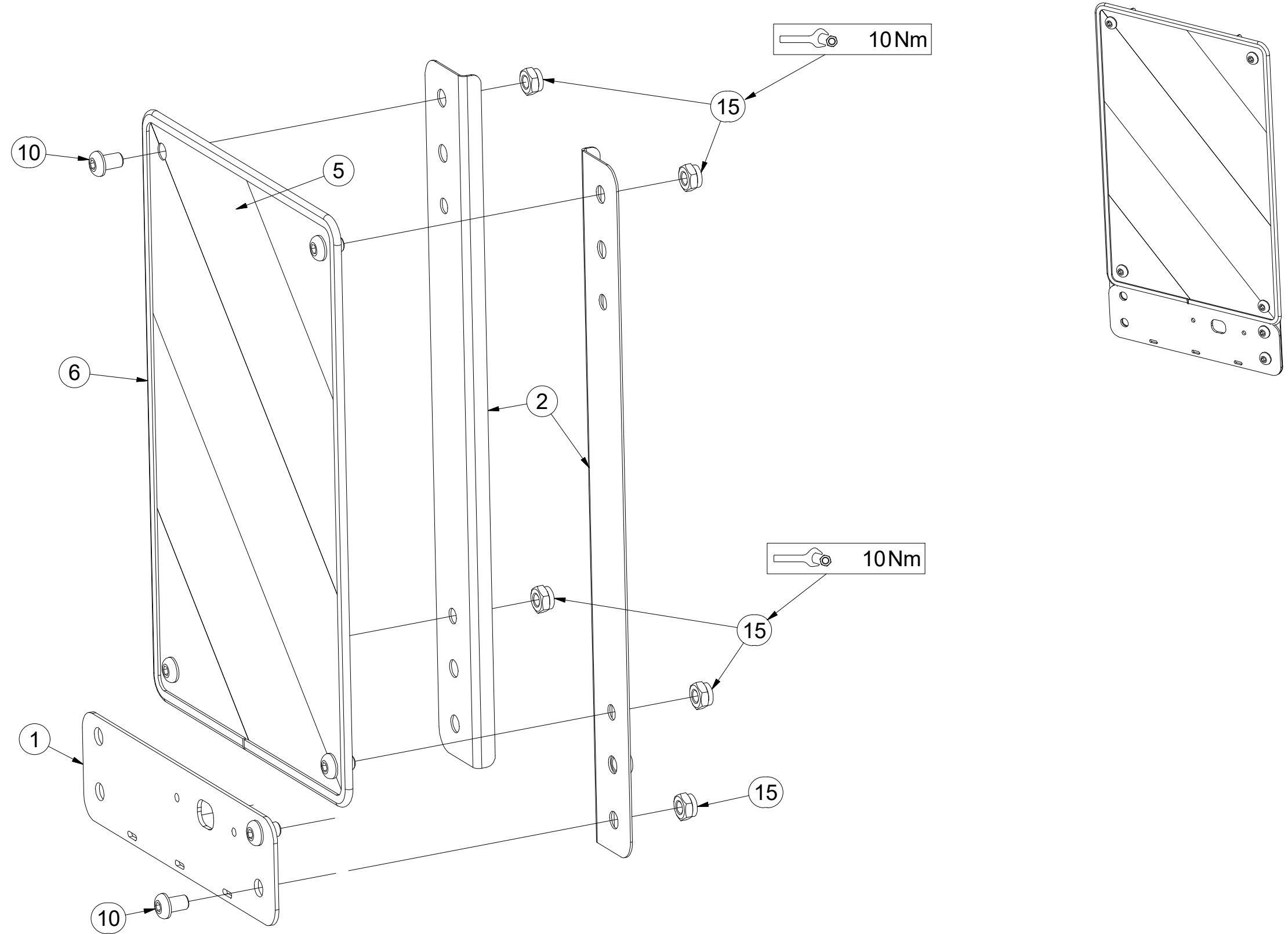
Ⓒ RU ЩИТОК ПЕРЕДНИЙ ЛЕВЫЙ

Ⓒ PL TARCZA PRZEDNIA LEWA



**4019075**

| Pos. | Part Number | Pcs. |
|------|-------------|------|
| 1    | 4019247     | 1    |
| 2    | 4019245     | 2    |
| 5    | m16274      | 1    |
| 6    | m16628      | 1    |
| 10   | m16687      | 6    |
| 15   | m03775      | 6    |



ⒸZ TERČ PŘEDNÍ PRAVÝ

Ⓓ SCHILD, VORDERES, RECHTES

Ⓕ CIBLE AVANT DROITE

ⒼB RIGHT FRONT DISC

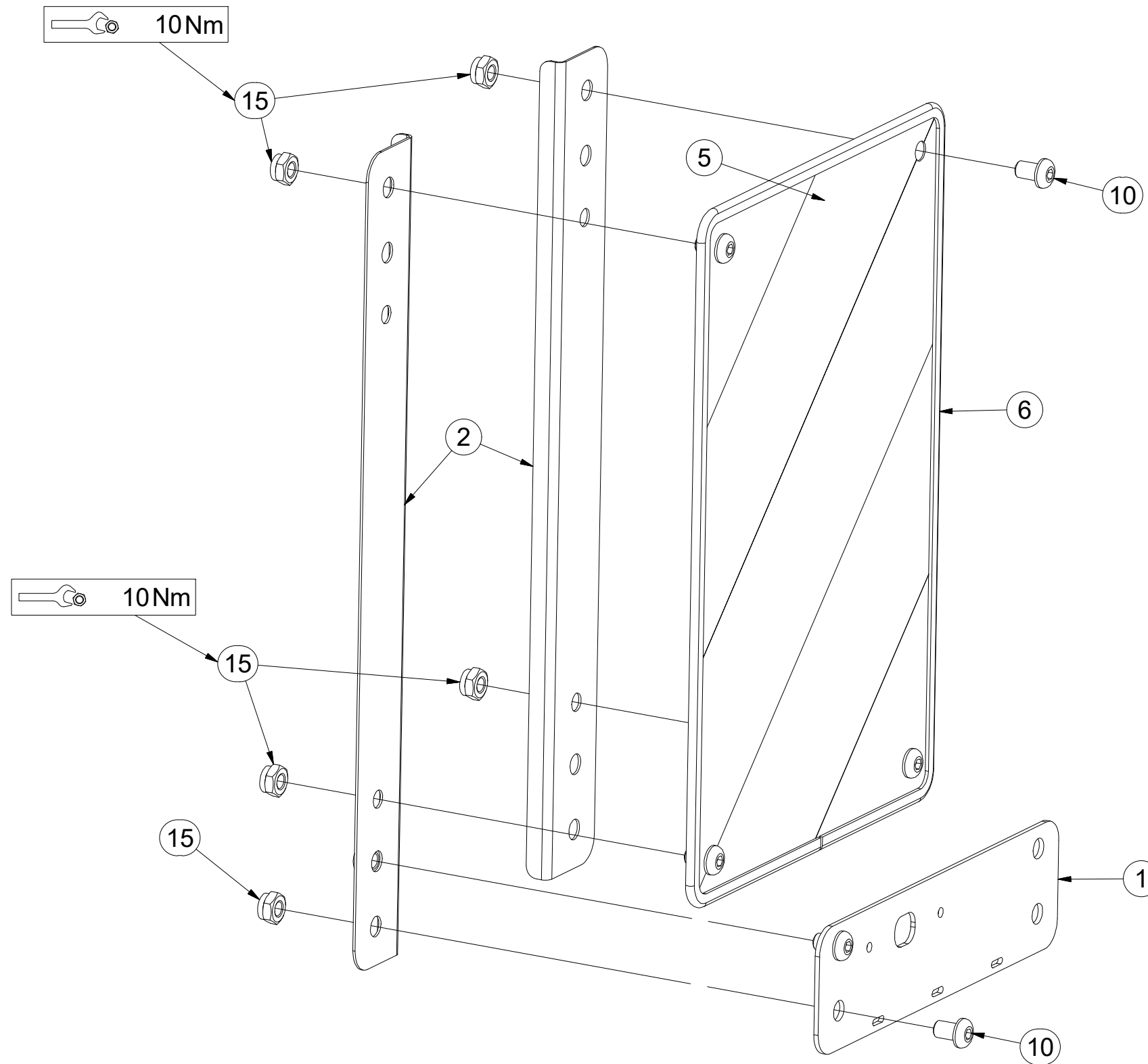
ⒶU ЩИТОК ПЕРЕДНИЙ ПРАВЫЙ

ⒶL TARCZA PRZEDNIA PRAWA



**4019076**

| Pos. | Part Number | Pcs. |
|------|-------------|------|
| 1    | 4019247     | 1    |
| 2    | 4019245     | 2    |
| 5    | m16273      | 1    |
| 6    | m16628      | 1    |
| 10   | m16687      | 6    |
| 15   | m03775      | 6    |



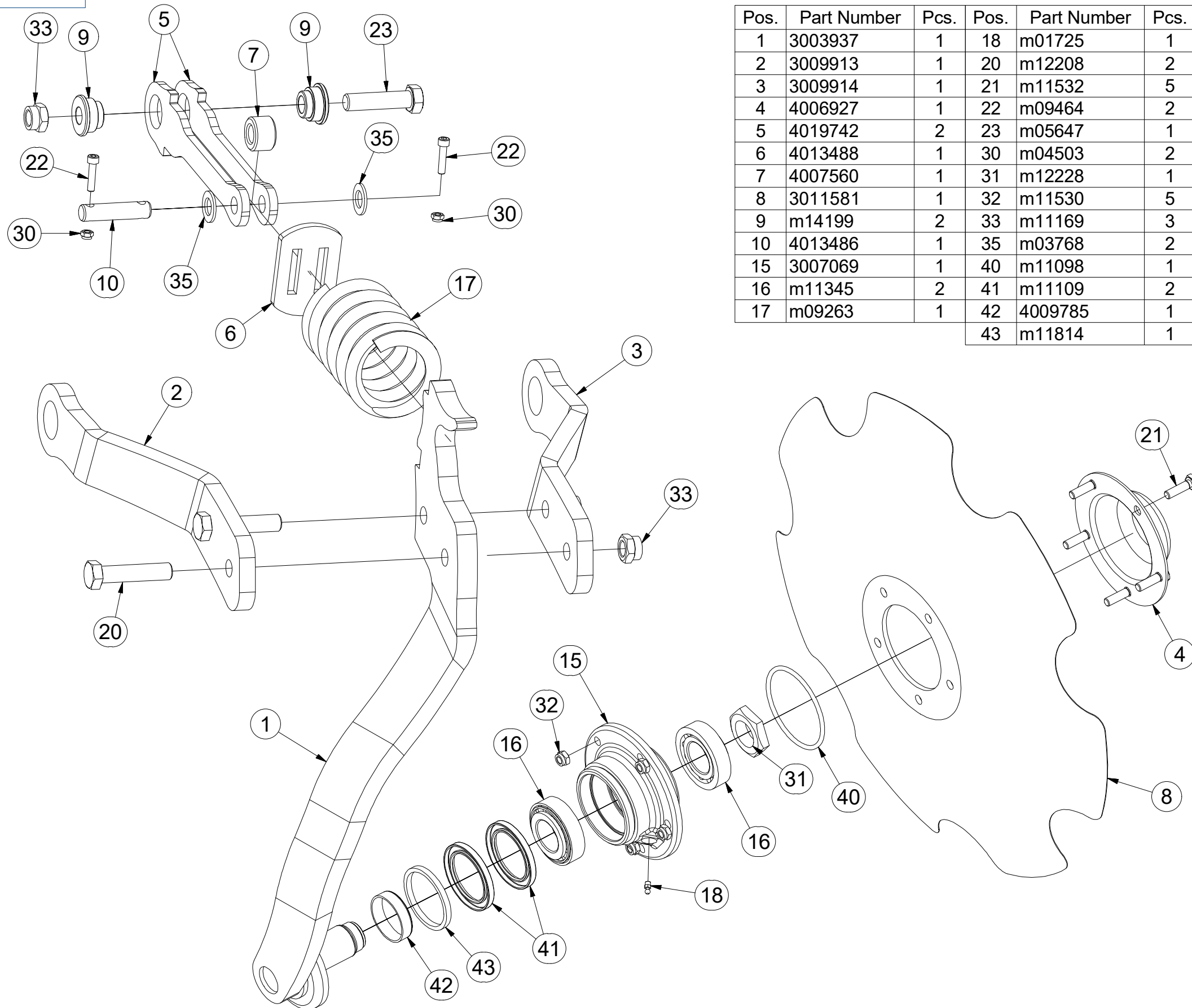


CZ PŘEDNÍ DISK  
 D SCHEIBE, VORDERE  
 F DISQUE AVANT

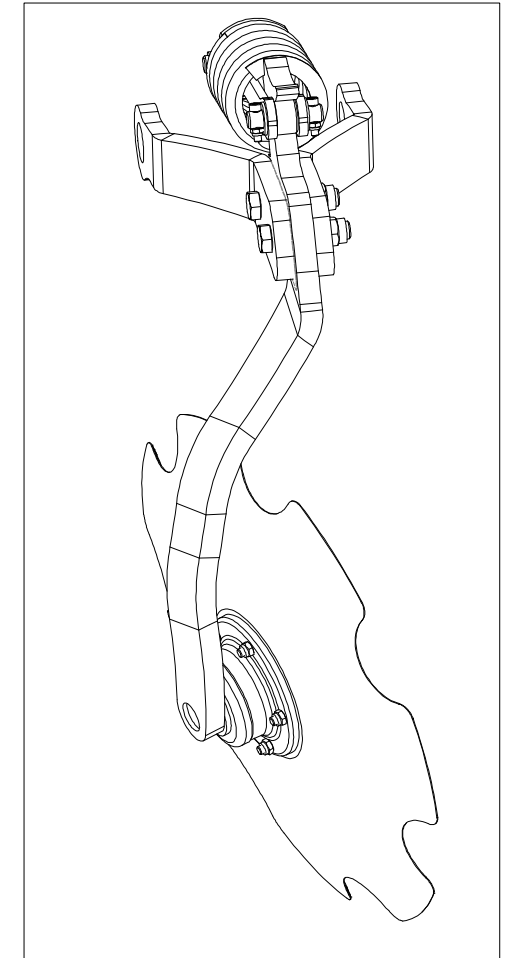
GB FRONT DISC  
 RU ДИСК ПЕРЕДНИЙ  
 PL TALERZ PRZEDNI



**3006887**



| Pos. | Part Number | Pcs. | Pos. | Part Number | Pcs. |
|------|-------------|------|------|-------------|------|
| 1    | 3003937     | 1    | 18   | m01725      | 1    |
| 2    | 3009913     | 1    | 20   | m12208      | 2    |
| 3    | 3009914     | 1    | 21   | m11532      | 5    |
| 4    | 4006927     | 1    | 22   | m09464      | 2    |
| 5    | 4019742     | 2    | 23   | m05647      | 1    |
| 6    | 4013488     | 1    | 30   | m04503      | 2    |
| 7    | 4007560     | 1    | 31   | m12228      | 1    |
| 8    | 3011581     | 1    | 32   | m11530      | 5    |
| 9    | m14199      | 2    | 33   | m11169      | 3    |
| 10   | 4013486     | 1    | 35   | m03768      | 2    |
| 15   | 3007069     | 1    | 40   | m11098      | 1    |
| 16   | m11345      | 2    | 41   | m11109      | 2    |
| 17   | m09263      | 1    | 42   | 4009785     | 1    |
|      |             |      | 43   | m11814      | 1    |

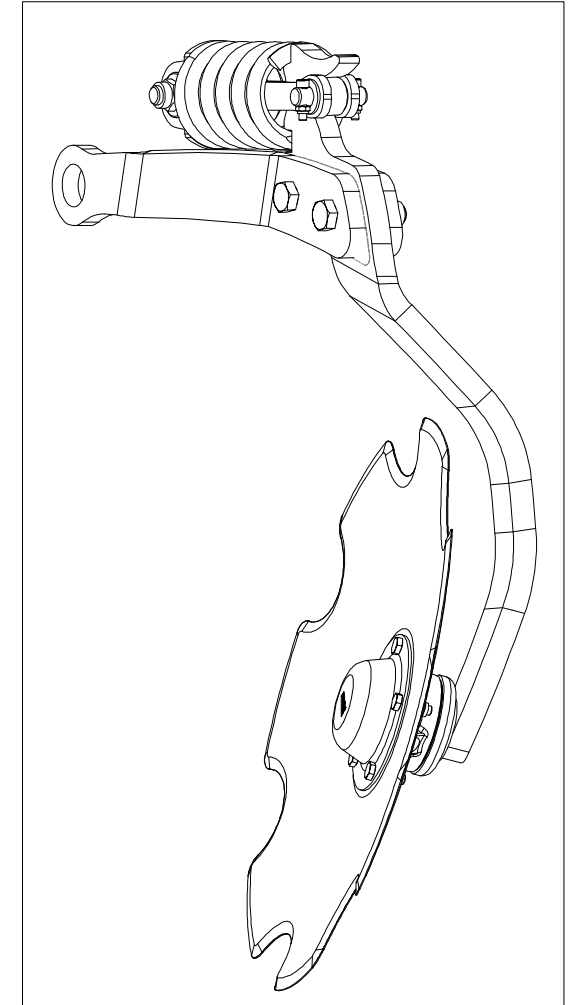
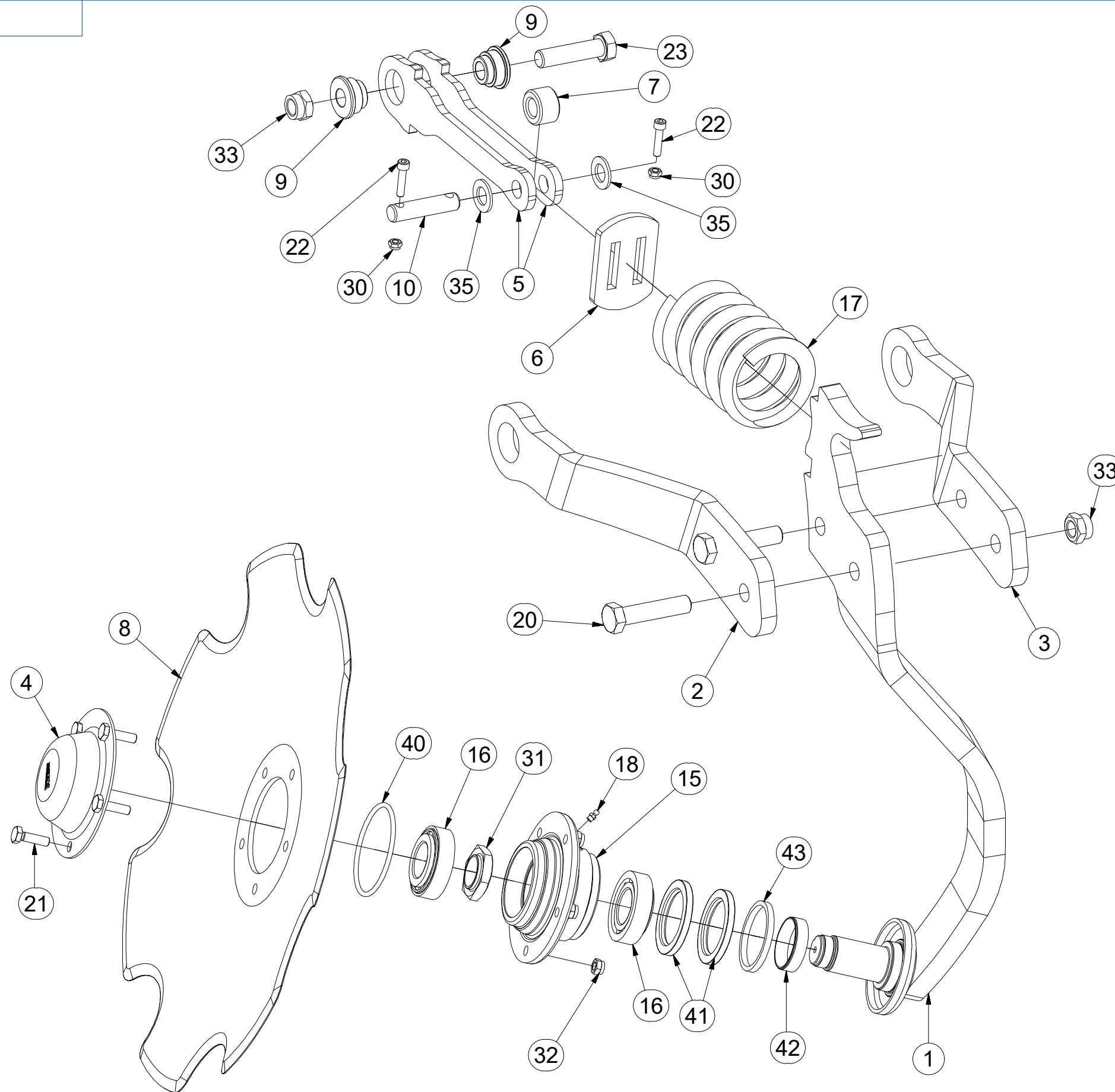


CZ ZADNÍ DISK  
 D SCHEIBE, HINTERE  
 F DISQUE ARRIÈRE

GB REAR DISC  
 RU ДИСК ЗАДНИЙ  
 PL TALERZ TYLNY



**3006888**



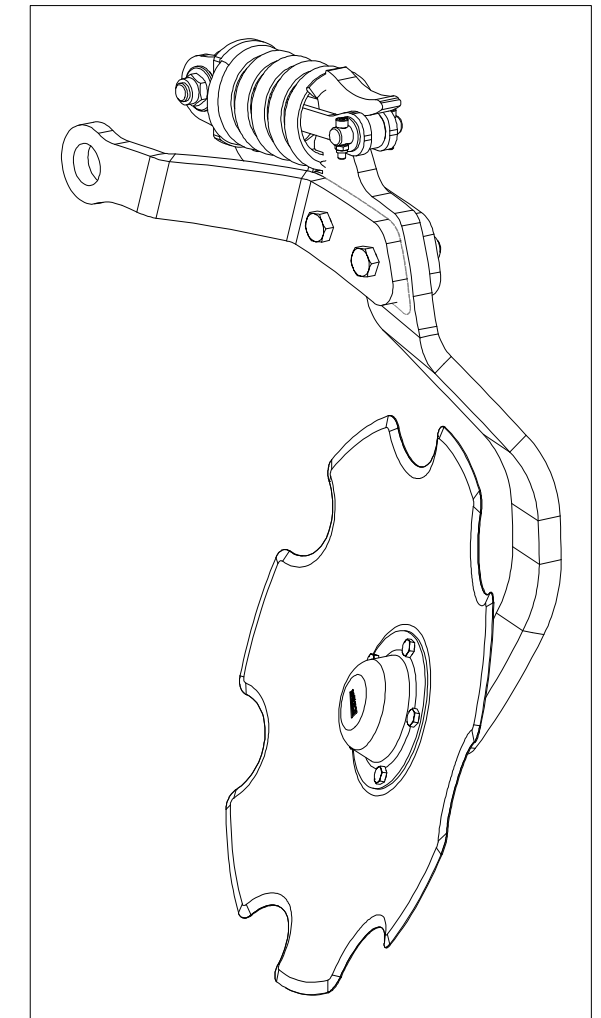
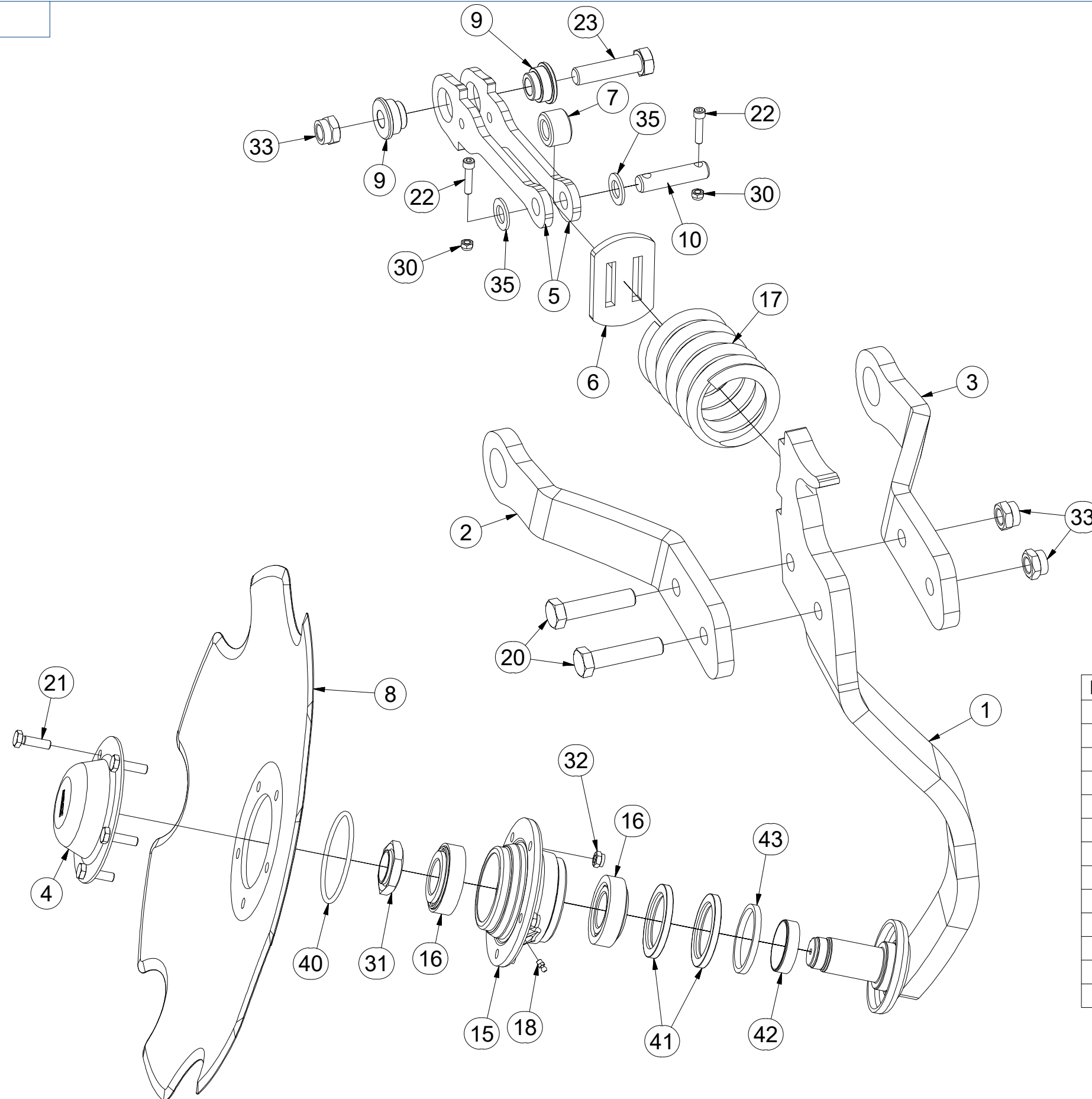
| Pos. | Part Number | Pcs. | Pos. | Part Number | Pcs. |
|------|-------------|------|------|-------------|------|
| 1    | 3003946     | 1    | 20   | m12208      | 2    |
| 2    | 3009913     | 1    | 21   | m11532      | 5    |
| 3    | 3009914     | 1    | 22   | m09464      | 2    |
| 4    | 4006927     | 1    | 23   | m05647      | 1    |
| 5    | 4019742     | 2    | 30   | m04503      | 2    |
| 6    | 4013488     | 1    | 31   | m12228      | 1    |
| 7    | 4007560     | 1    | 32   | m11530      | 5    |
| 8    | 3011581     | 1    | 33   | m11169      | 3    |
| 9    | m14199      | 2    | 35   | m03768      | 2    |
| 10   | 4013486     | 1    | 40   | m11098      | 1    |
| 15   | 3007069     | 1    | 41   | m11109      | 2    |
| 16   | m11345      | 2    | 42   | 4009785     | 1    |
| 17   | m09263      | 1    | 43   | m11814      | 1    |
| 18   | m01725      | 1    |      |             |      |

CZ ZADNÍ DISK - KRAJNÍ  
 D RANSCHEIBE, HINTERE  
 F DISQUE ARRIÈRE - LIMITE

GB REAR DISC - OUTSIDE  
 RU ДИСК ЗАДНИЙ - КРАЙНИЙ  
 PL TALERZ TYLNY - SKRAJNY



**3006890**



| Pos. | Part Number | Pcs. | Pos. | Part Number | Pcs. |
|------|-------------|------|------|-------------|------|
| 1    | 3003946     | 1    | 18   | m01725      | 1    |
| 2    | 3009913     | 1    | 20   | m12208      | 2    |
| 3    | 3009914     | 1    | 21   | m11532      | 5    |
| 4    | 4006927     | 1    | 22   | m09464      | 2    |
| 5    | 4019743     | 2    | 23   | m05647      | 1    |
| 6    | 4013488     | 1    | 30   | m04503      | 2    |
| 7    | 4007560     | 1    | 31   | m12228      | 1    |
| 8    | 3011581     | 1    | 32   | m11530      | 5    |
| 9    | m14199      | 2    | 33   | m11169      | 3    |
| 10   | 4013486     | 1    | 35   | m03768      | 2    |
| 15   | 3007069     | 1    | 40   | m11098      | 1    |
| 16   | m11345      | 2    | 41   | m11109      | 2    |
| 17   | m10804      | 1    | 42   | 4009785     | 1    |
|      |             |      | 43   | m11814      | 1    |

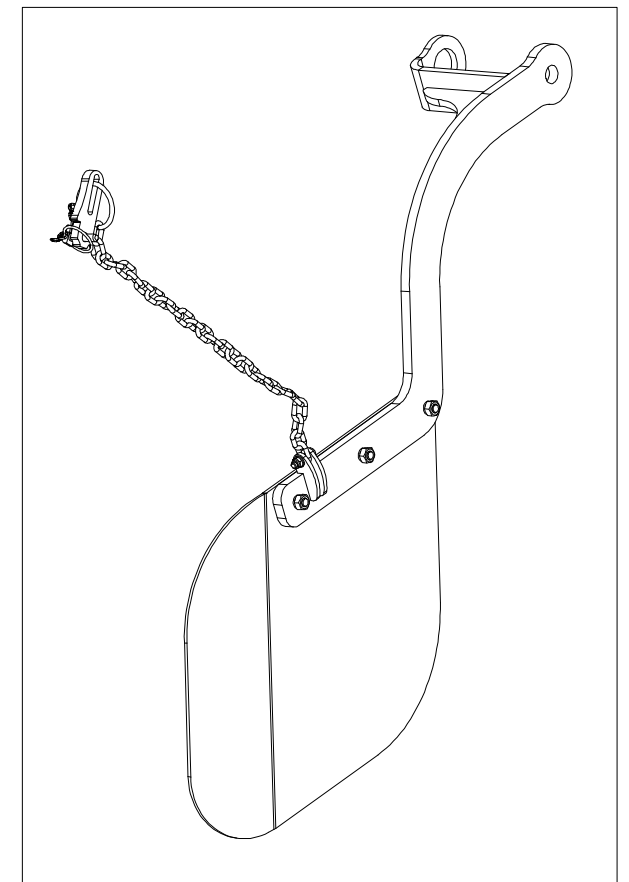
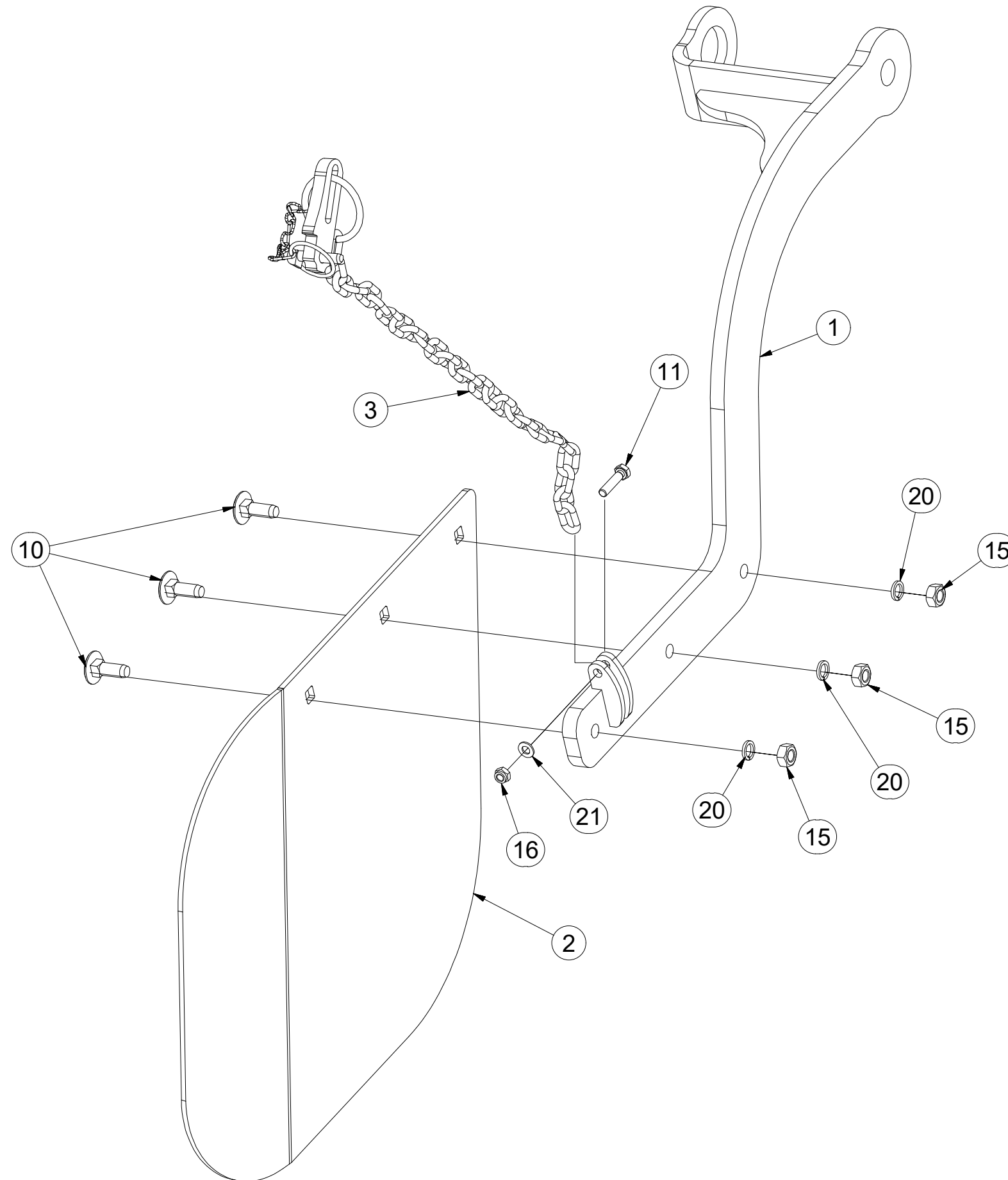


CZ DEFLEKTOR BOČNÍ  
 D SEITENABWEISER  
 F DÉFLECTEUR LATÉRAL

GB SIDE DEFLECTOR  
 RU БОКОВОЙ ДЕФЛЕКТОР  
 PL DEFLEKTOR BOCZNY



**3006899**



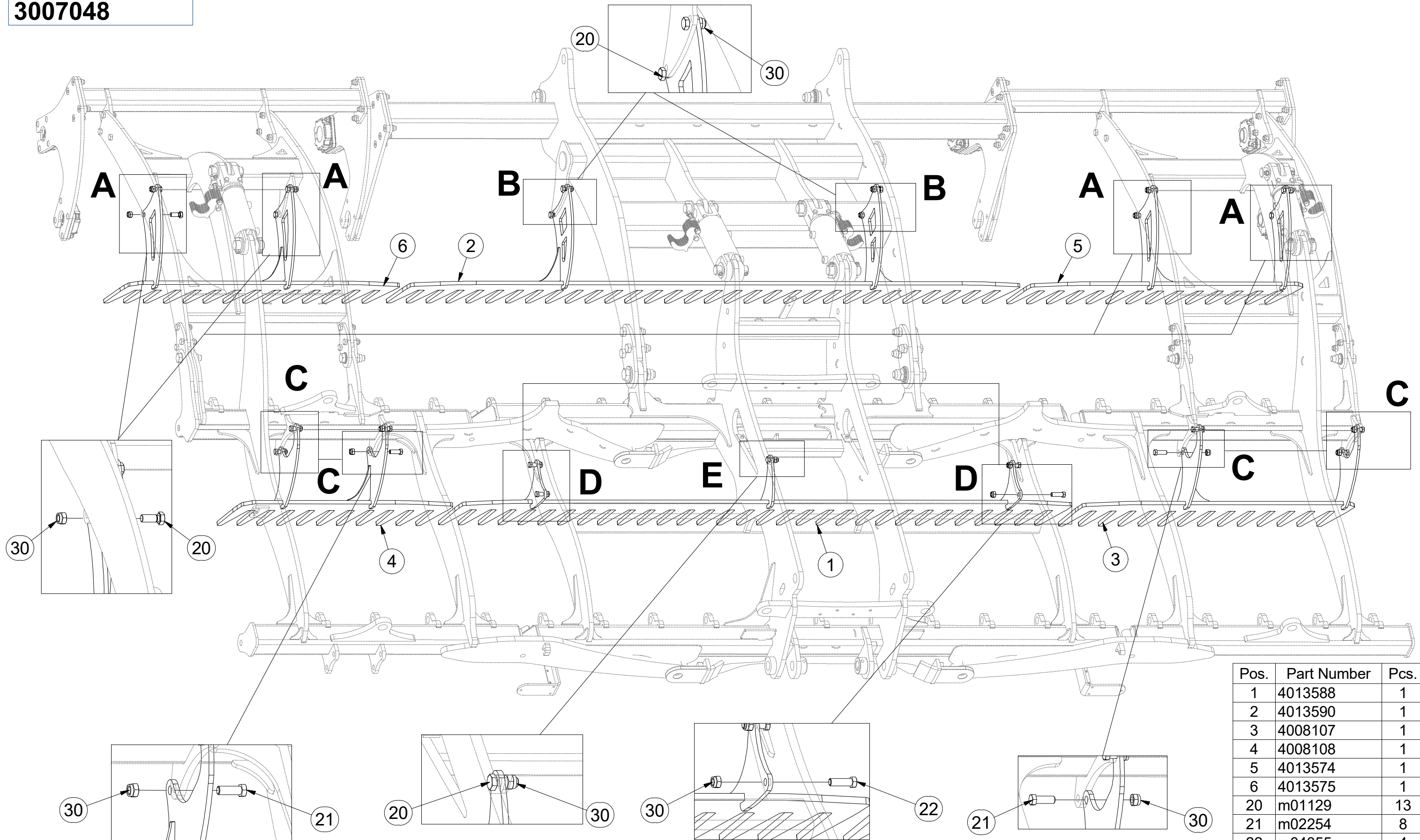
| Pos. | Part Number | Pcs. |
|------|-------------|------|
| 1    | 3006900     | 1    |
| 2    | 4007296     | 1    |
| 3    | 4001641     | 1    |
| 10   | m10618      | 3    |
| 11   | m01096      | 1    |
| 15   | m10439      | 3    |
| 16   | m04503      | 1    |
| 20   | m03988      | 3    |
| 21   | m01203      | 1    |

CZ SADA DEFLEKTORŮ  
 D DEFLEKTORSATZ  
 F KIT DE DÉFLECTEURS

GB SET OF DEFLECTORS  
 RU КОМПЛЕКТ ДЕФЛЕКТОРОВ  
 PL ZESTAW DEFLEKTORÓW



**3007048**



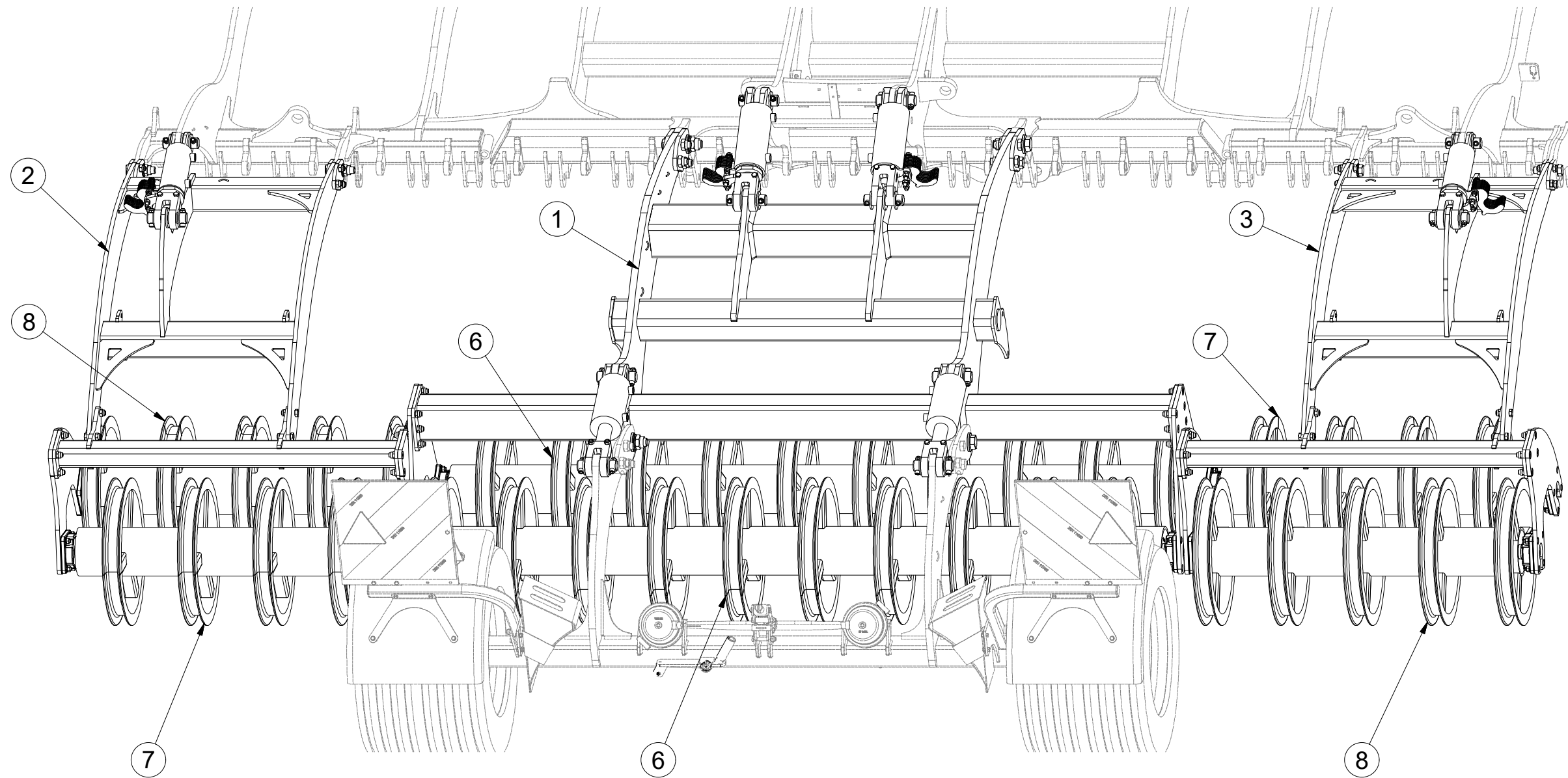
| Pos. | Part Number | Pcs. |
|------|-------------|------|
| 1    | 4013588     | 1    |
| 2    | 4013590     | 1    |
| 3    | 4008107     | 1    |
| 4    | 4008108     | 1    |
| 5    | 4013574     | 1    |
| 6    | 4013575     | 1    |
| 20   | m01129      | 13   |
| 21   | m02254      | 8    |
| 22   | m04355      | 4    |
| 30   | m03683      | 25   |

- Ⓒ SADA ZADNÍCH VÁLCŮ
- Ⓓ SATZ HINTERE WALZEN
- Ⓕ KIT DE ROULEAUX ARRIÈRE

- Ⓖ SET OF REAR ROLLERS
- Ⓡ КОМПЛЕКТ ЗАДНИХ КАТКОВ
- Ⓟ ZESTAW TYLNYCH WAŁÓW



**3009551**



| Pos. | Part Number | Pcs. |
|------|-------------|------|
| 1    | 2000924     | 1    |
| 2    | 2000742     | 1    |
| 3    | 2000740     | 1    |
| 6    | 3008213     | 2    |
| 7    | 3008215     | 2    |
| 8    | 3008214     | 2    |



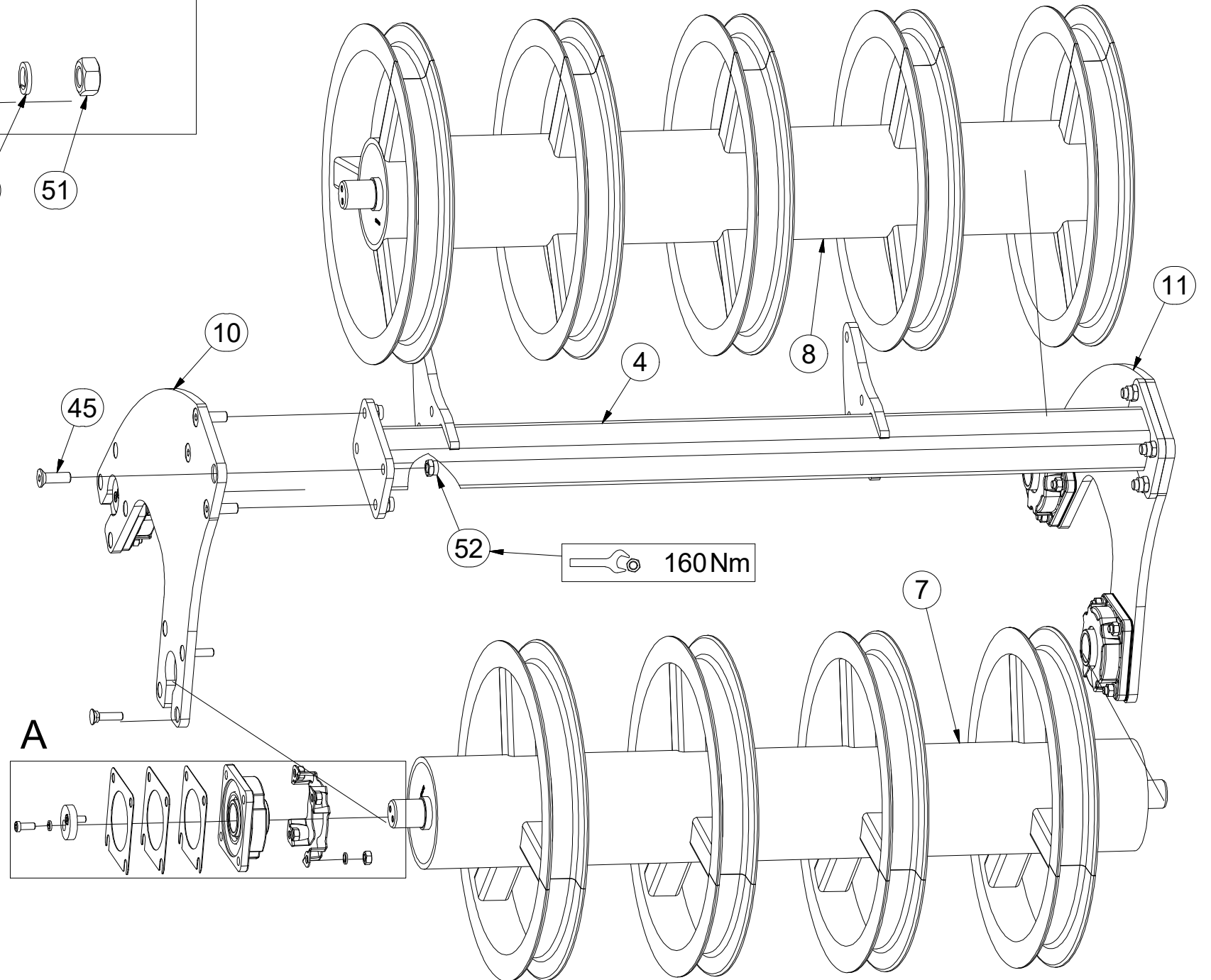
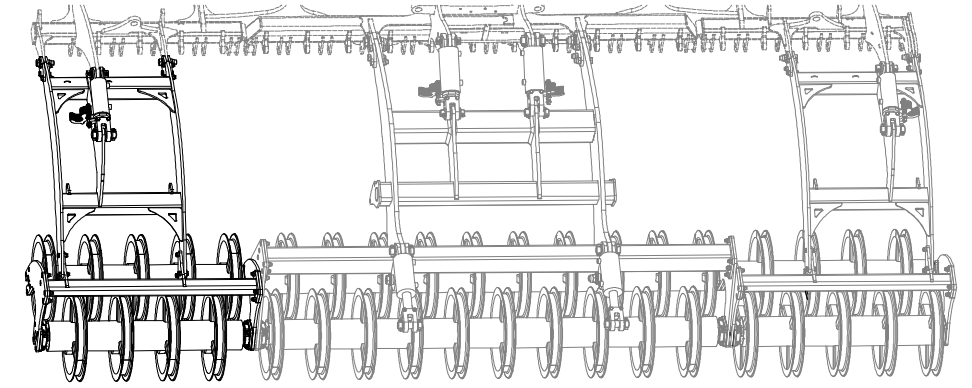
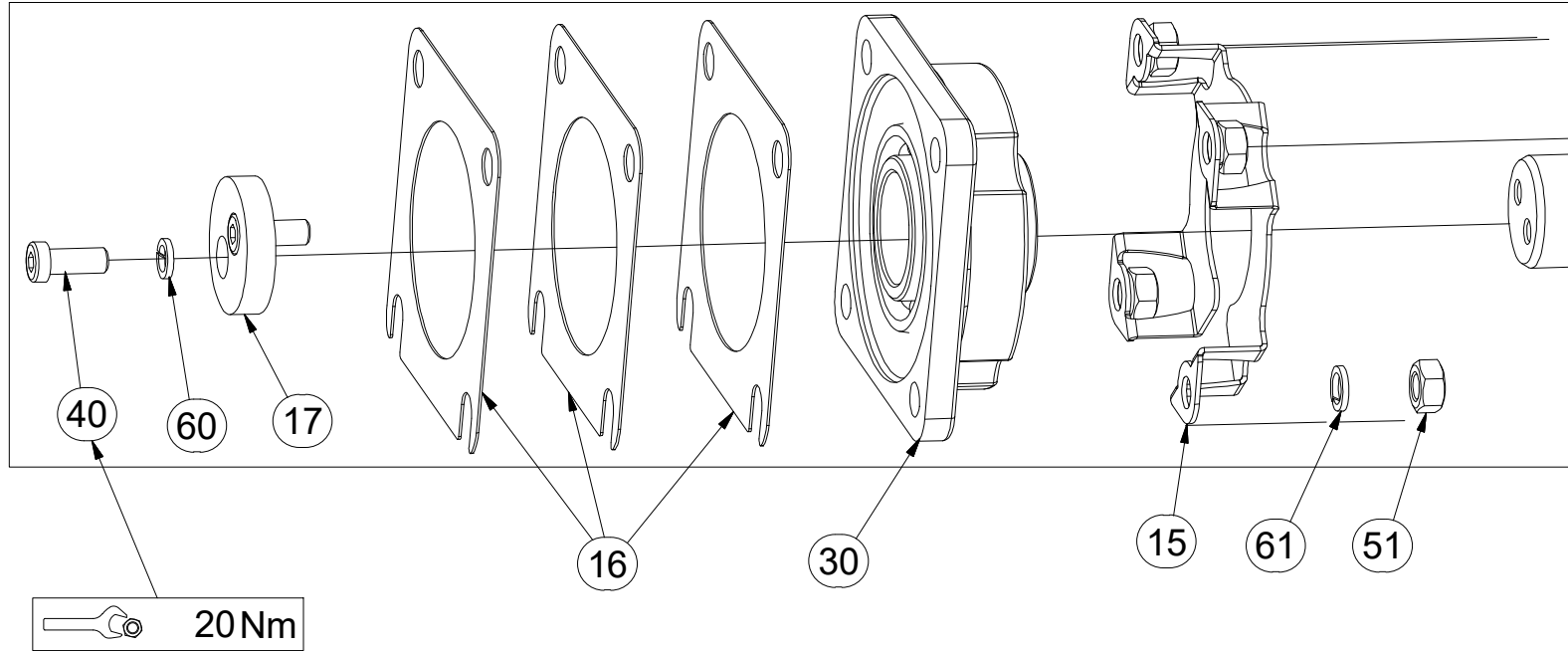
- CZ SADA ZADNÍCH VÁLCŮ  
 D SATZ HINTERE WALZEN  
 F KIT DE ROULEAUX ARRIÈRE

- GB SET OF REAR ROLLERS  
 RU КОМПЛЕКТ ЗАДНИХ КАТКОВ  
 PL ZESTAW TYLNYCH WAŁÓW



**3009551**

**A**



| Pos. | Part Number | Pcs. |
|------|-------------|------|
| 4    | 3009552     | 1    |
| 7    | 3008215     | 2    |
| 8    | 3008214     | 2    |
| 10   | 3009448     | 2    |
| 11   | 3009449     | 2    |
| 15   | 4017071     | 12   |
| 16   | 4016002     | 36   |
| 17   | 4017124     | 12   |
| 30   | m15626      | 12   |
| 40   | m17638      | 24   |
| 45   | m14672      | 28   |
| 51   | m10439      | 48   |
| 52   | m13846      | 28   |
| 60   | m01208      | 24   |
| 61   | m03988      | 48   |

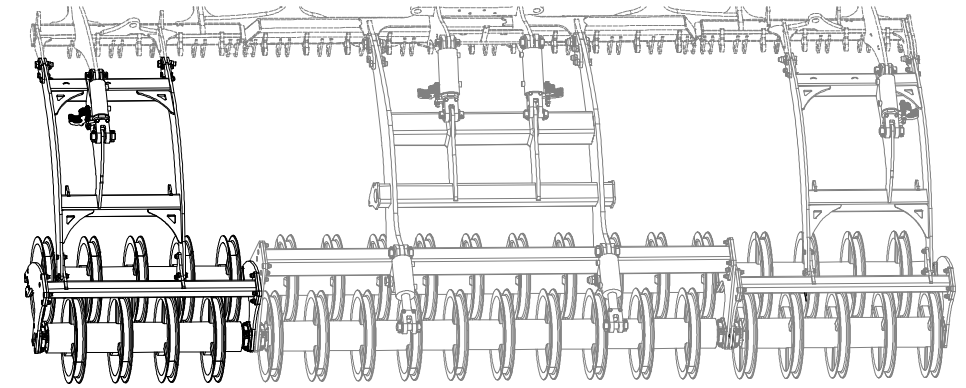
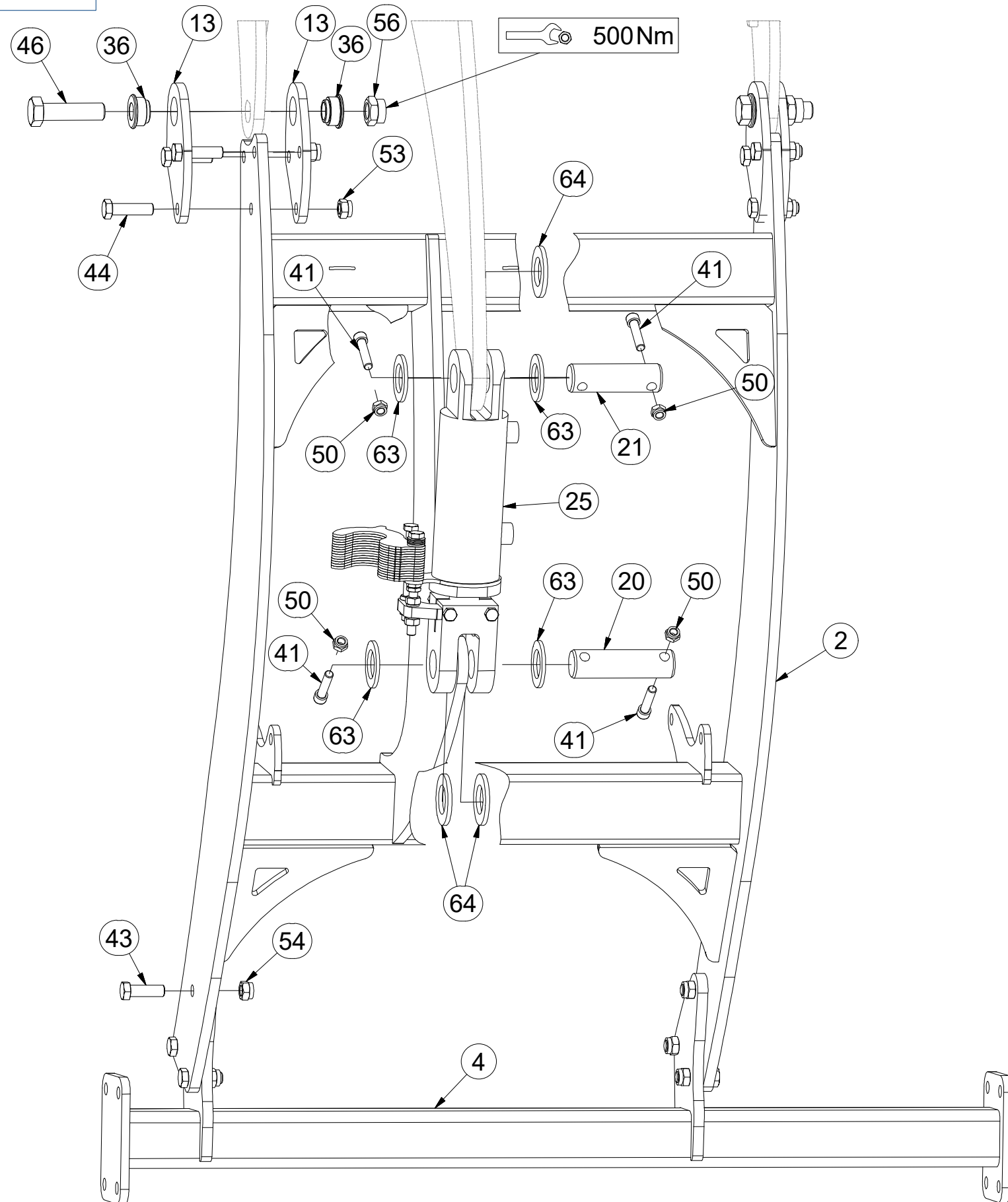


- Ⓒ SADA ZADNÍCH VÁLČŮ
- Ⓓ SATZ HINTERE WALZEN
- Ⓕ KIT DE ROULEAUX ARRIÈRE

- Ⓖ SET OF REAR ROLLERS
- Ⓡ КОМПЛЕКТ ЗАДНИХ КАТКОВ
- Ⓟ ZESTAW TYLNYCH WAŁÓW



**3009551**



| Pos. | Part Number | Pcs. |
|------|-------------|------|
| 2    | 2000742     | 1    |
| 4    | 3009552     | 1    |
| 13   | 4014302     | 8    |
| 20   | 4012990     | 10   |
| 21   | 4007816     | 2    |
| 25   | 4020669     | 2    |
| 36   | m14506      | 8    |
| 41   | m14008      | 24   |
| 43   | m10849      | 12   |
| 44   | m14482      | 12   |
| 46   | m14495      | 10   |
| 50   | m04301      | 24   |
| 53   | m12150      | 12   |
| 54   | m03683      | 12   |
| 56   | m13009      | 4    |
| 63   | 4013139     | 24   |
| 64   | m03636      | 10   |

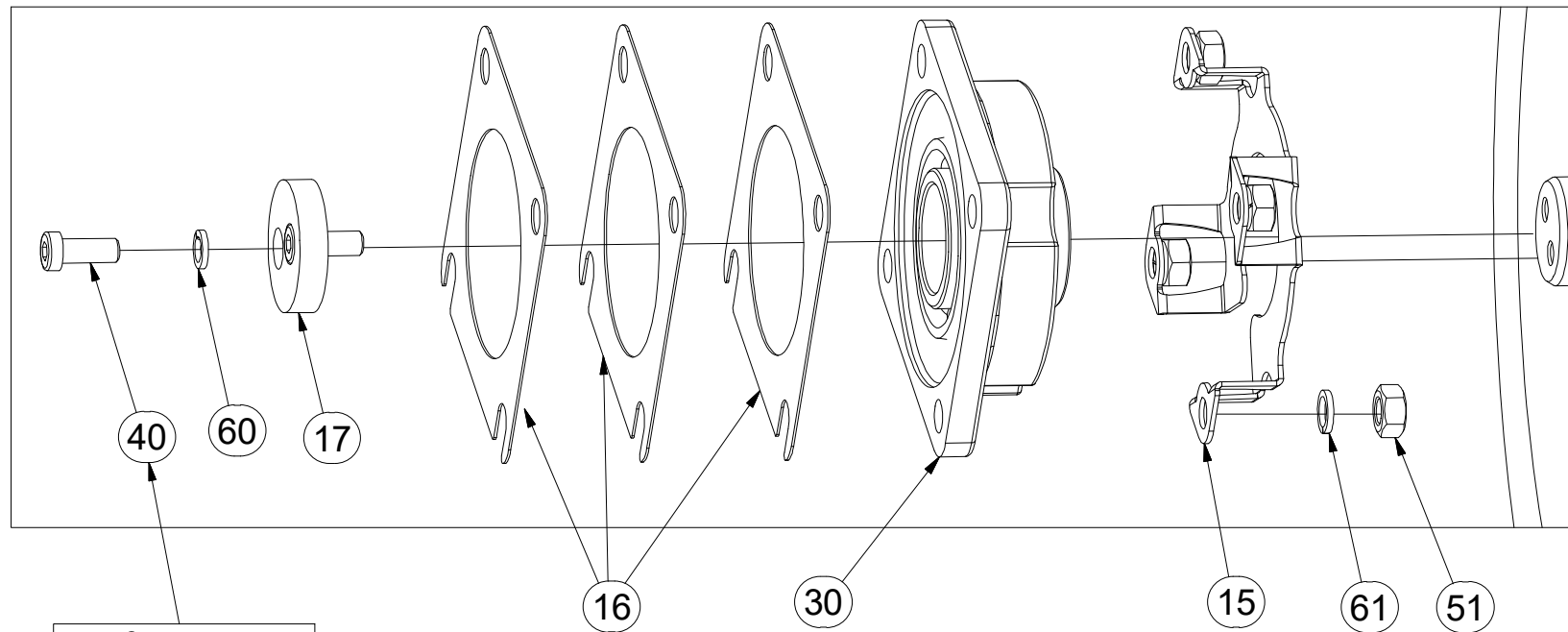
- Ⓒ SADA ZADNÍCH VÁLČŮ
- Ⓓ SATZ HINTERE WALZEN
- Ⓕ KIT DE ROULEAUX ARRIÈRE

- Ⓖ SET OF REAR ROLLERS
- Ⓡ КОМПЛЕКТ ЗАДНИХ КАТКОВ
- Ⓟ ZESTAW TYLNYCH WAŁÓW

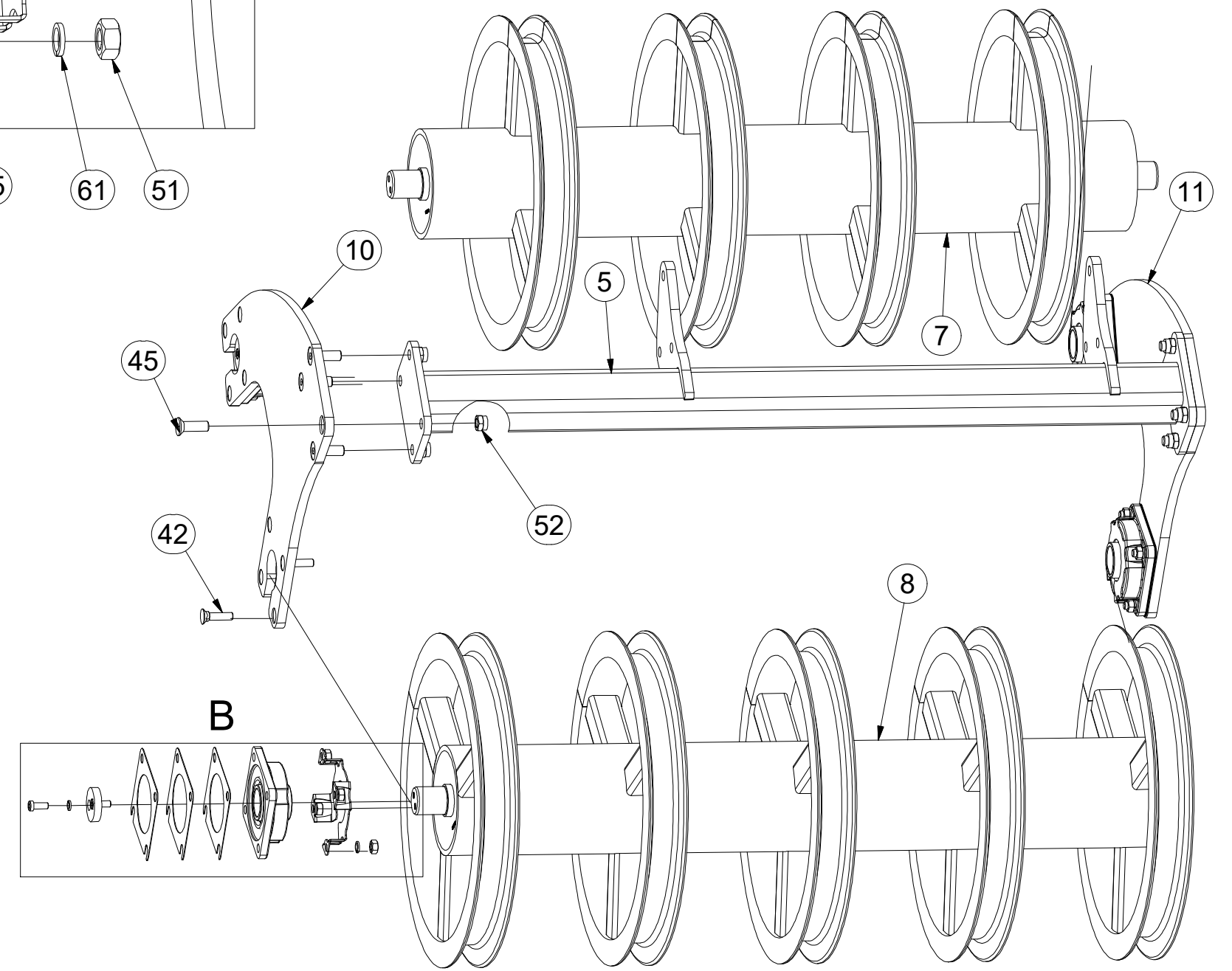
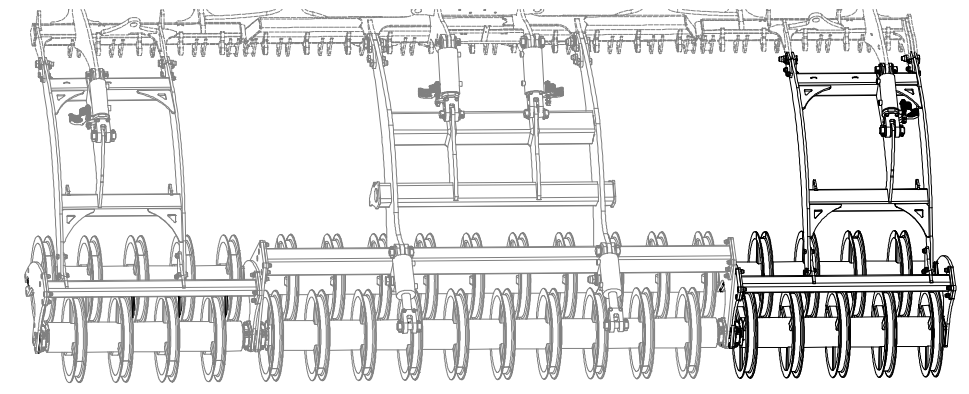


**3009551**

**B**



20Nm



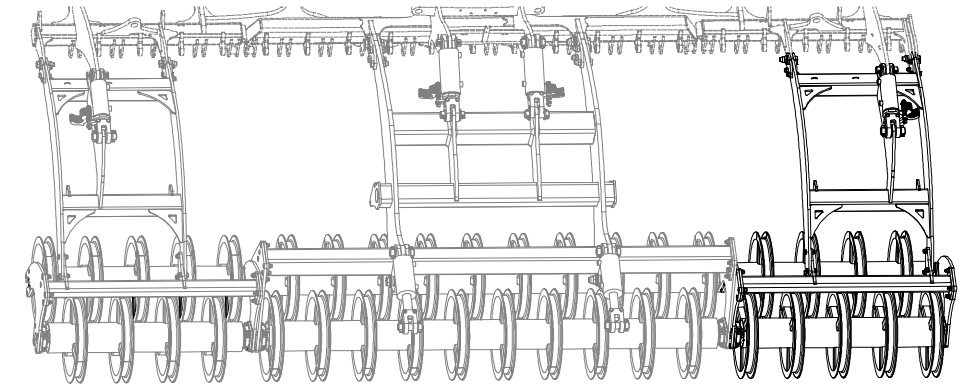
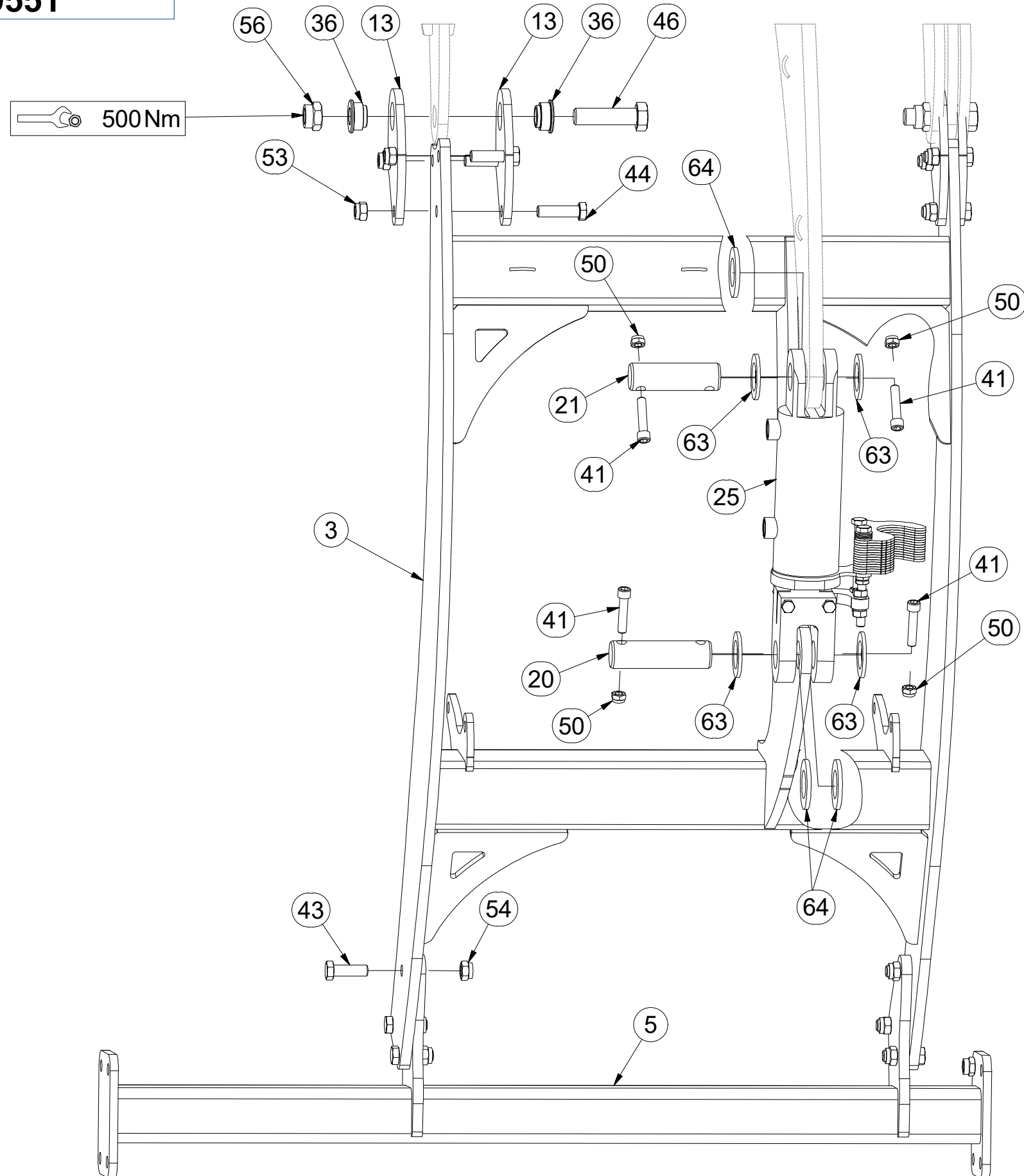
| Pos. | Part Number | Pcs. |
|------|-------------|------|
| 5    | 3009553     | 1    |
| 7    | 3008215     | 2    |
| 8    | 3008214     | 2    |
| 10   | 3009448     | 2    |
| 11   | 3009449     | 2    |
| 15   | 4017071     | 12   |
| 16   | 4016002     | 36   |
| 17   | 4017124     | 12   |
| 30   | m15626      | 12   |
| 40   | m17638      | 24   |
| 42   | m10440      | 48   |
| 45   | m14672      | 28   |
| 51   | m10439      | 48   |
| 52   | m13846      | 28   |
| 60   | m01208      | 24   |
| 61   | m03988      | 48   |

- ⒸZ SADA ZADNÍCH VÁLČŮ
- Ⓓ SATZ HINTERE WALZEN
- Ⓕ KIT DE ROULEAUX ARRIÈRE

- ⒼB SET OF REAR ROLLERS
- ⒶR КОМПЛЕКТ ЗАДНИХ КАТКОВ
- ⒶL ZESTAW TYLNYCH WAŁÓW



**3009551**



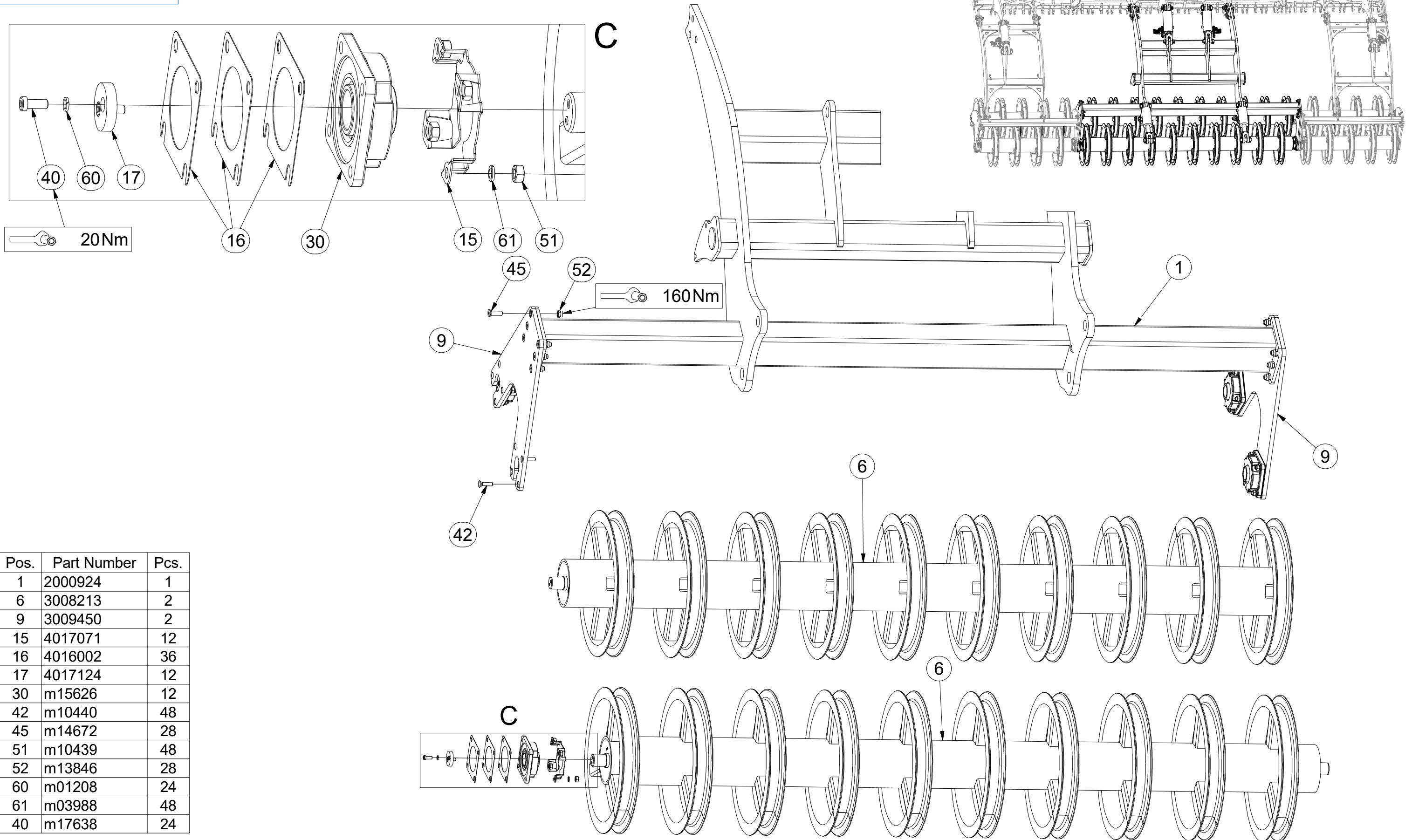
| Pos. | Part Number | Pcs. |
|------|-------------|------|
| 3    | 2000740     | 1    |
| 5    | 3009553     | 1    |
| 13   | 4014302     | 8    |
| 20   | 4012990     | 10   |
| 21   | 4007816     | 2    |
| 25   | 4020669     | 2    |
| 36   | m14506      | 8    |
| 41   | m14008      | 24   |
| 43   | m10849      | 12   |
| 44   | m14482      | 12   |
| 46   | m14495      | 10   |
| 50   | m04301      | 24   |
| 53   | m12150      | 12   |
| 54   | m03683      | 12   |
| 56   | m13009      | 4    |
| 63   | 4013139     | 24   |
| 64   | m03636      | 10   |

- Ⓒ SADA ZADNÍCH VÁLČŮ
- Ⓓ SATZ HINTERE WALZEN
- Ⓕ KIT DE ROULEAUX ARRIÈRE

- Ⓖ SET OF REAR ROLLERS
- Ⓡ КОМПЛЕКТ ЗАДНИХ КАТКОВ
- Ⓟ ZESTAW TYLNYCH WAŁÓW



**3009551**



| Pos. | Part Number | Pcs. |
|------|-------------|------|
| 1    | 2000924     | 1    |
| 6    | 3008213     | 2    |
| 9    | 3009450     | 2    |
| 15   | 4017071     | 12   |
| 16   | 4016002     | 36   |
| 17   | 4017124     | 12   |
| 30   | m15626      | 12   |
| 42   | m10440      | 48   |
| 45   | m14672      | 28   |
| 51   | m10439      | 48   |
| 52   | m13846      | 28   |
| 60   | m01208      | 24   |
| 61   | m03988      | 48   |
| 40   | m17638      | 24   |

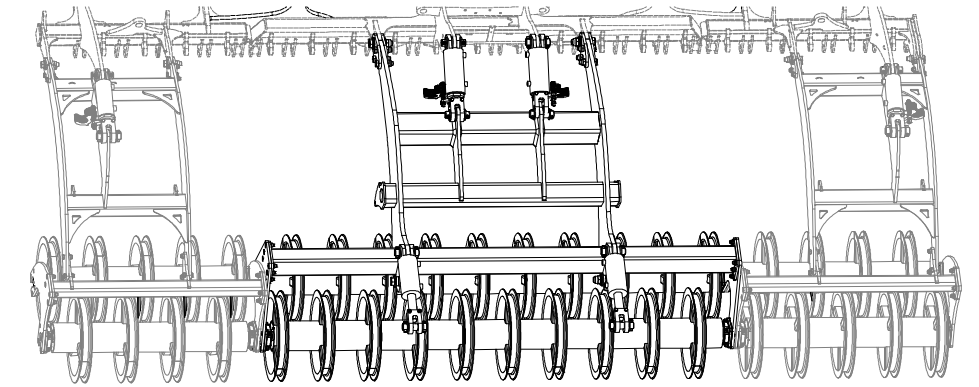
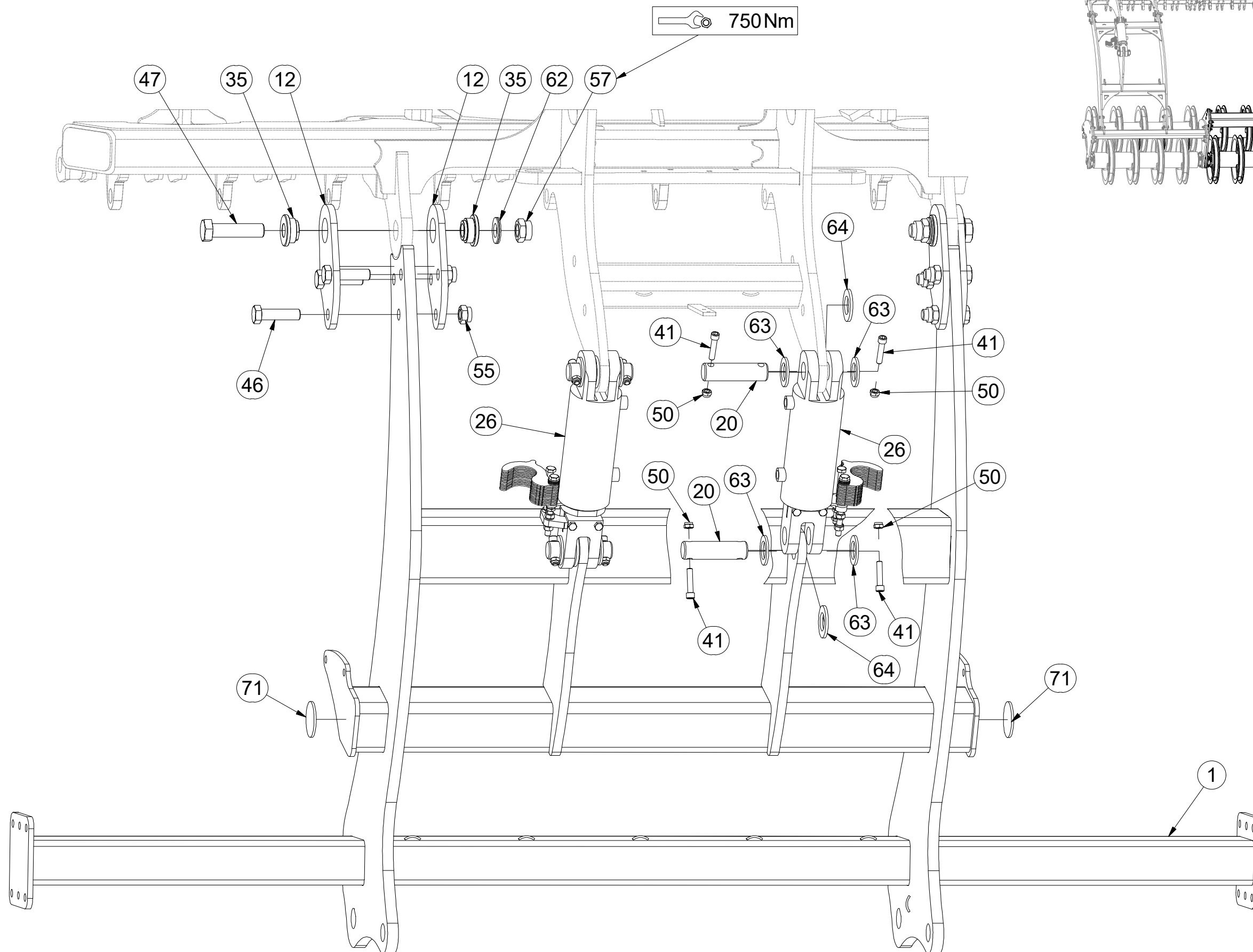


- CZ SADA ZADNÍCH VÁLCŮ  
 D SATZ HINTERE WALZEN  
 F KIT DE ROULEAUX ARRIÈRE

- GB SET OF REAR ROLLERS  
 RU КОМПЛЕКТ ЗАДНИХ КАТКОВ  
 PL ZESTAW TYLNYCH WAŁÓW



**3009551**



| Pos. | Part Number | Pcs. |
|------|-------------|------|
| 1    | 2000924     | 1    |
| 12   | 4014296     | 4    |
| 20   | 4012990     | 10   |
| 26   | 4020673     | 2    |
| 35   | m14505      | 8    |
| 41   | m14008      | 24   |
| 46   | m14495      | 10   |
| 47   | m15773      | 4    |
| 50   | m04301      | 24   |
| 55   | m07147      | 6    |
| 57   | m14498      | 4    |
| 62   | m13906      | 4    |
| 63   | 4013139     | 24   |
| 64   | m03636      | 10   |
| 71   | m02579      | 2    |

Ⓒ SADA ZADNÍCH VÁLČŮ

Ⓓ SATZ HINTERE WALZEN

Ⓕ KIT DE ROULEAUX ARRIÈRE

Ⓖ SET OF REAR ROLLERS

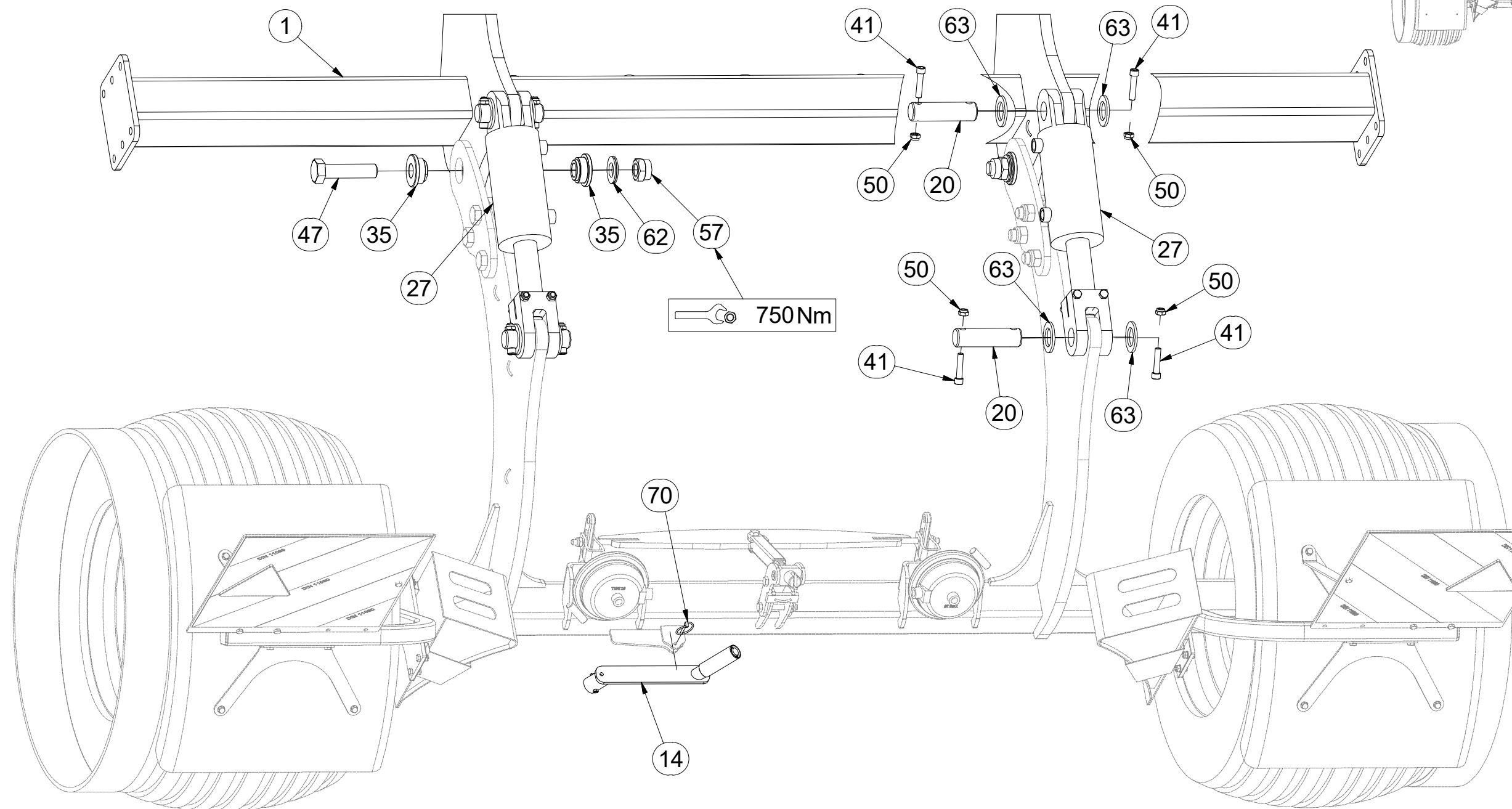
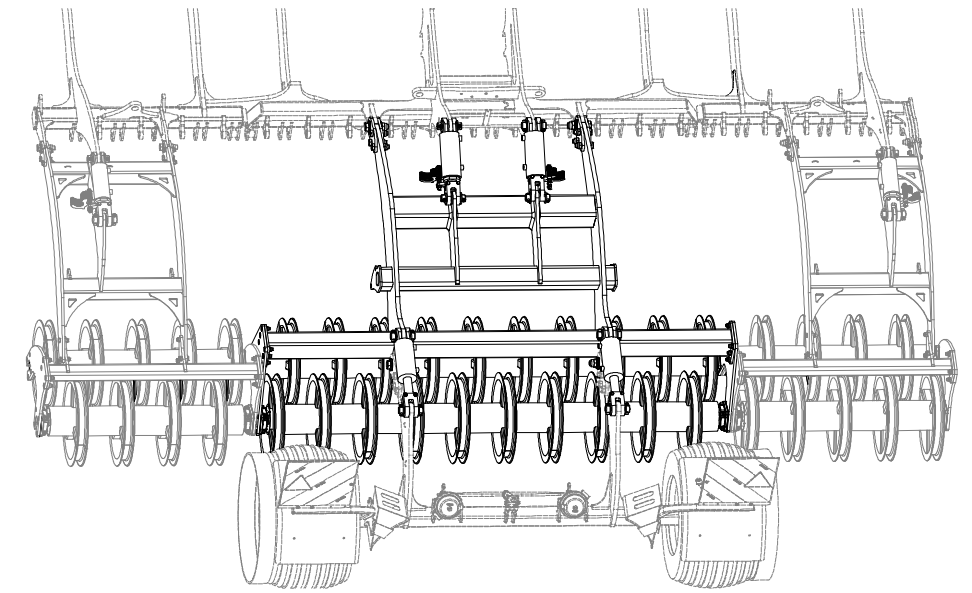
Ⓡ КОМПЛЕКТ ЗАДНИХ КАТКОВ

Ⓟ ZESTAW TYLNYCH WAŁÓW



**3009551**

| Pos. | Part Number | Pcs. | Pos. | Part Number | Pcs. |
|------|-------------|------|------|-------------|------|
| 1    | 2000924     | 1    | 47   | m15773      | 4    |
| 14   | 4003087     | 1    | 50   | m04301      | 24   |
| 20   | 4012990     | 10   | 57   | m14498      | 4    |
| 27   | m14954      | 2    | 62   | m13906      | 4    |
| 35   | m14505      | 8    | 63   | 4013139     | 24   |
| 41   | m14008      | 24   | 70   | m10454      | 1    |



Ⓒ CZ SADA NÁPRAVY

Ⓓ D SATZ AUFHÄNGUNG

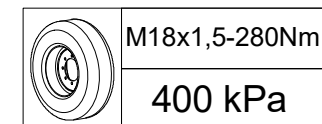
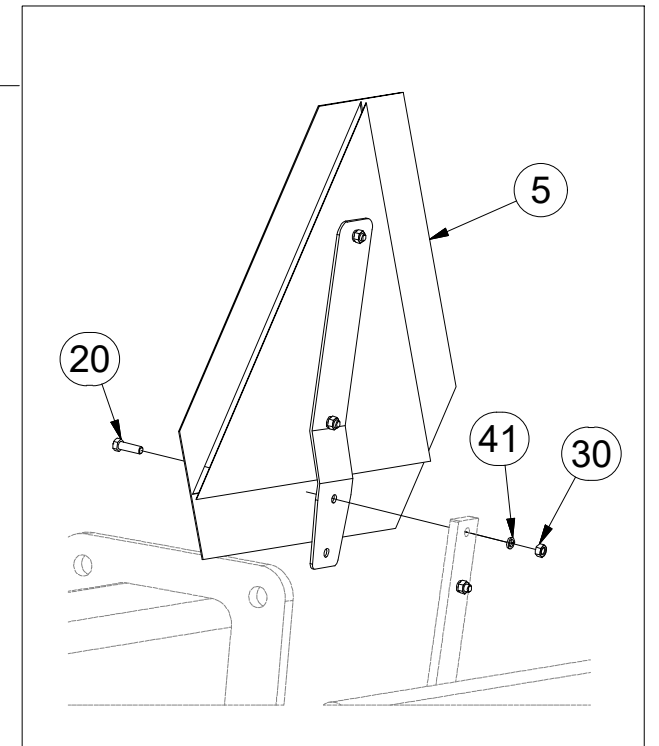
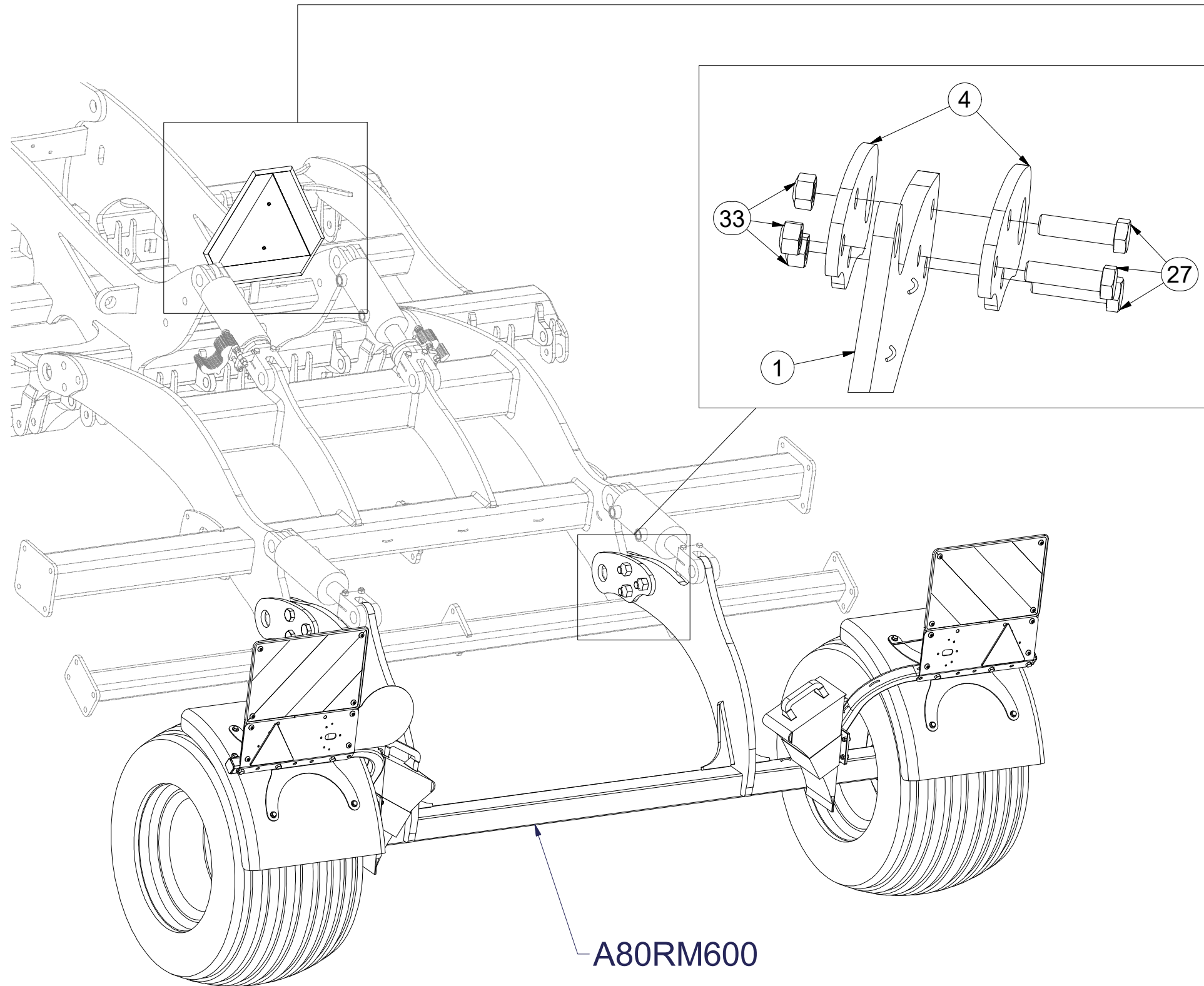
Ⓕ F KIT DE L'ESSIEU

**3009793**

Ⓒ GB AXLE SET

Ⓓ RU КОМПЛЕКТ ОСИ КОЛЁС

Ⓕ PL ZESTAW OSI



| Pos. | Part Number | Pcs. |
|------|-------------|------|
| 1    | 2000741     | 1    |
| 2    | 3009523     | 1    |
| 3    | 3009524     | 1    |
| 5    | 3001210     | 1    |
| 20   | m01074      | 2    |
| 30   | m01295      | 2    |
| 41   | m01200      | 2    |

Ⓒ SADA NÁPRAVY

Ⓓ SATZ AUFHÄNGUNG

Ⓕ KIT DE L'ESSIEU

Ⓖ AXLE SET

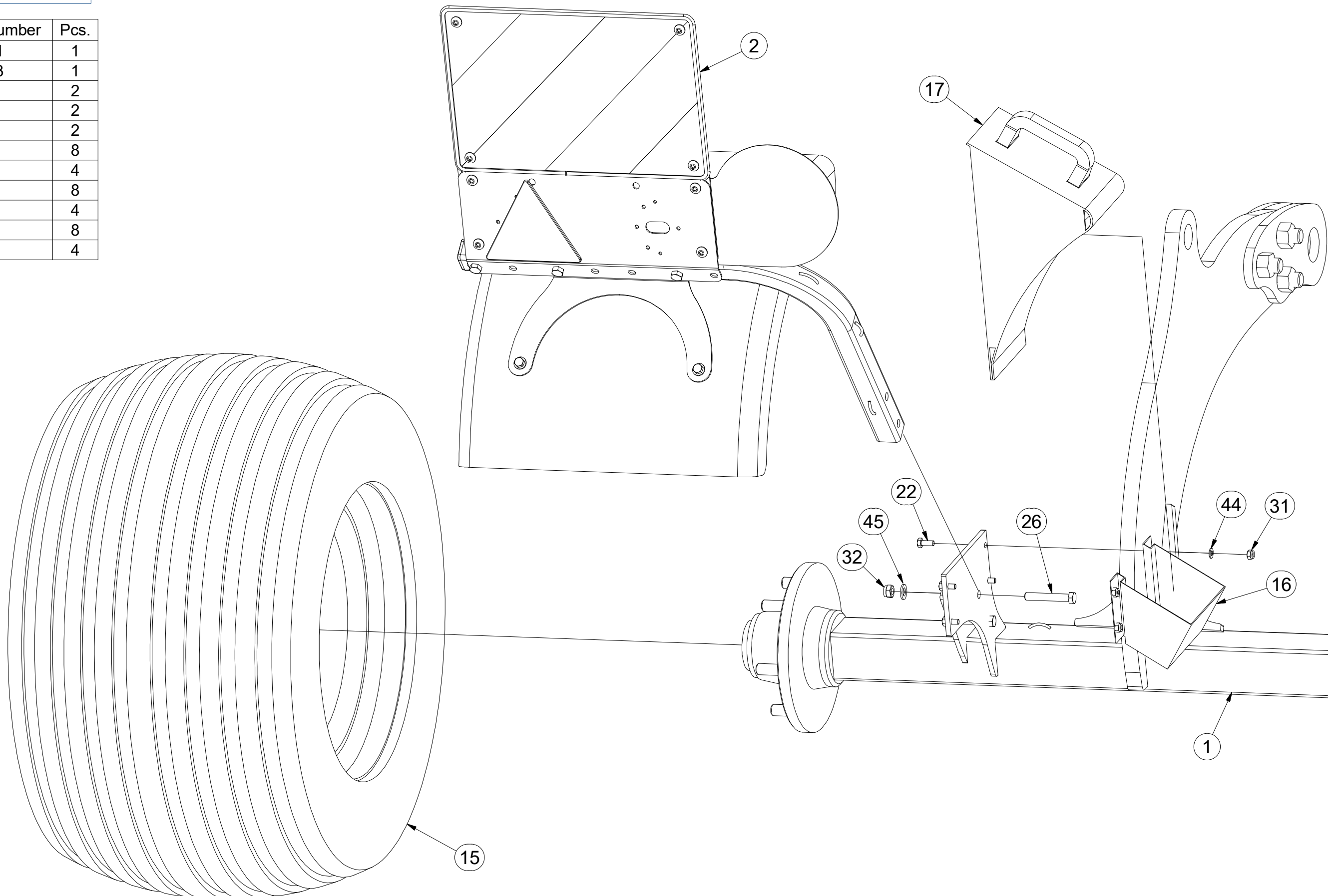
Ⓡ КОМПЛЕКТ ОСИ КОЛЁС

Ⓢ ZESTAW OSI



**3009793**

| Pos. | Part Number | Pcs. |
|------|-------------|------|
| 1    | 2000741     | 1    |
| 2    | 3009523     | 1    |
| 15   | m11625      | 2    |
| 16   | m12572      | 2    |
| 17   | m16186      | 2    |
| 22   | m01089      | 8    |
| 26   | m12493      | 4    |
| 31   | m04503      | 8    |
| 32   | m04301      | 4    |
| 44   | m01203      | 8    |
| 45   | m01214      | 4    |





ⒸZ SADA NÁPRAVY

Ⓓ SATZ AUFHÄNGUNG

Ⓕ KIT DE L'ESSIEU

ⒸB AXLE SET

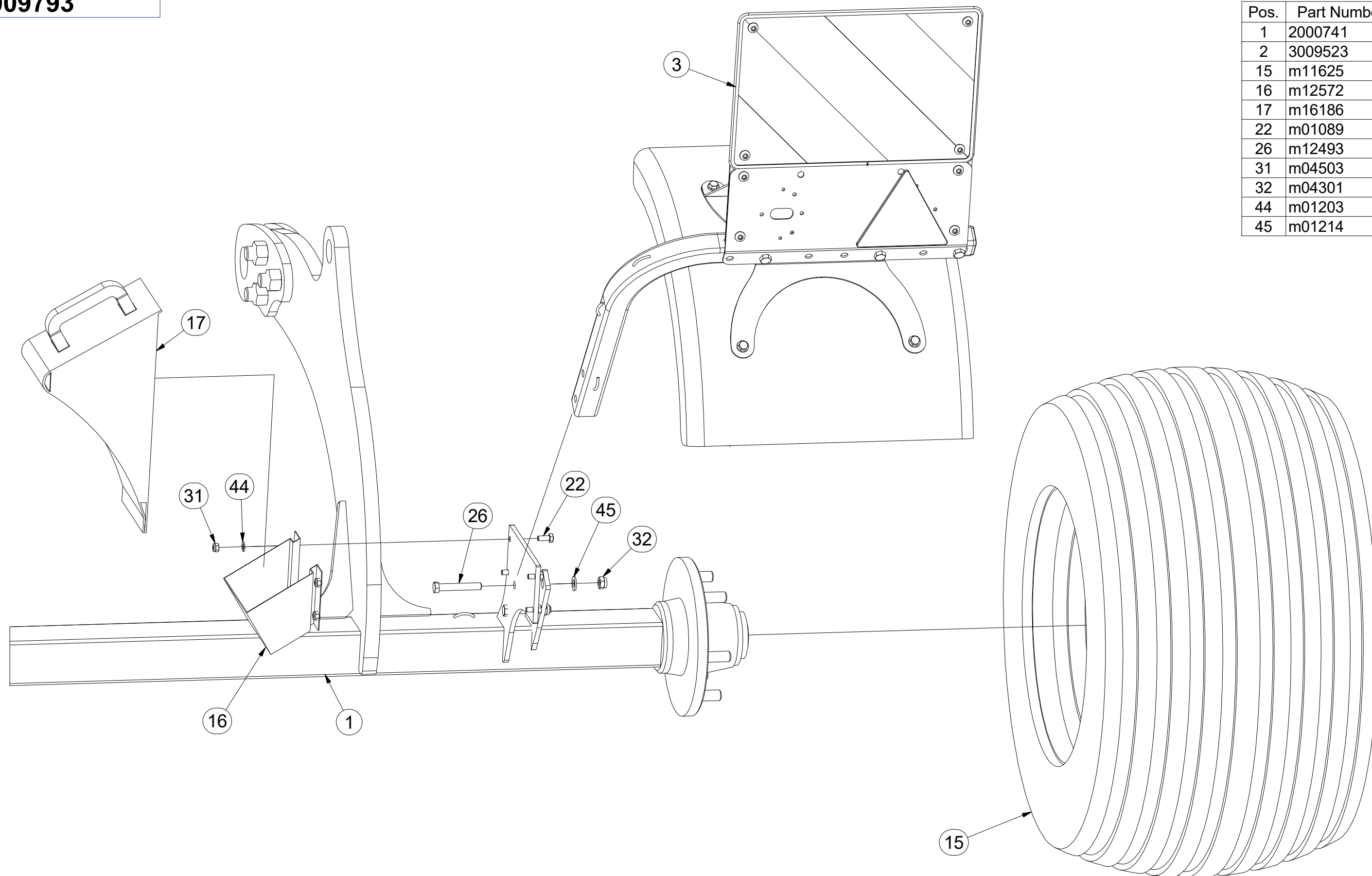
ⒸU КОМПЛЕКТ ОСИ КОЛЁС

ⒸL ZESTAW OSI



**3009793**

| Pos. | Part Number | Pcs. |
|------|-------------|------|
| 1    | 2000741     | 1    |
| 2    | 3009523     | 1    |
| 15   | m11625      | 2    |
| 16   | m12572      | 2    |
| 17   | m16186      | 2    |
| 22   | m01089      | 8    |
| 26   | m12493      | 4    |
| 31   | m04503      | 8    |
| 32   | m04301      | 4    |
| 44   | m01203      | 8    |
| 45   | m01214      | 4    |



Ⓒ NÁPRAVA

Ⓓ ACHSE

Ⓕ ESSIEU

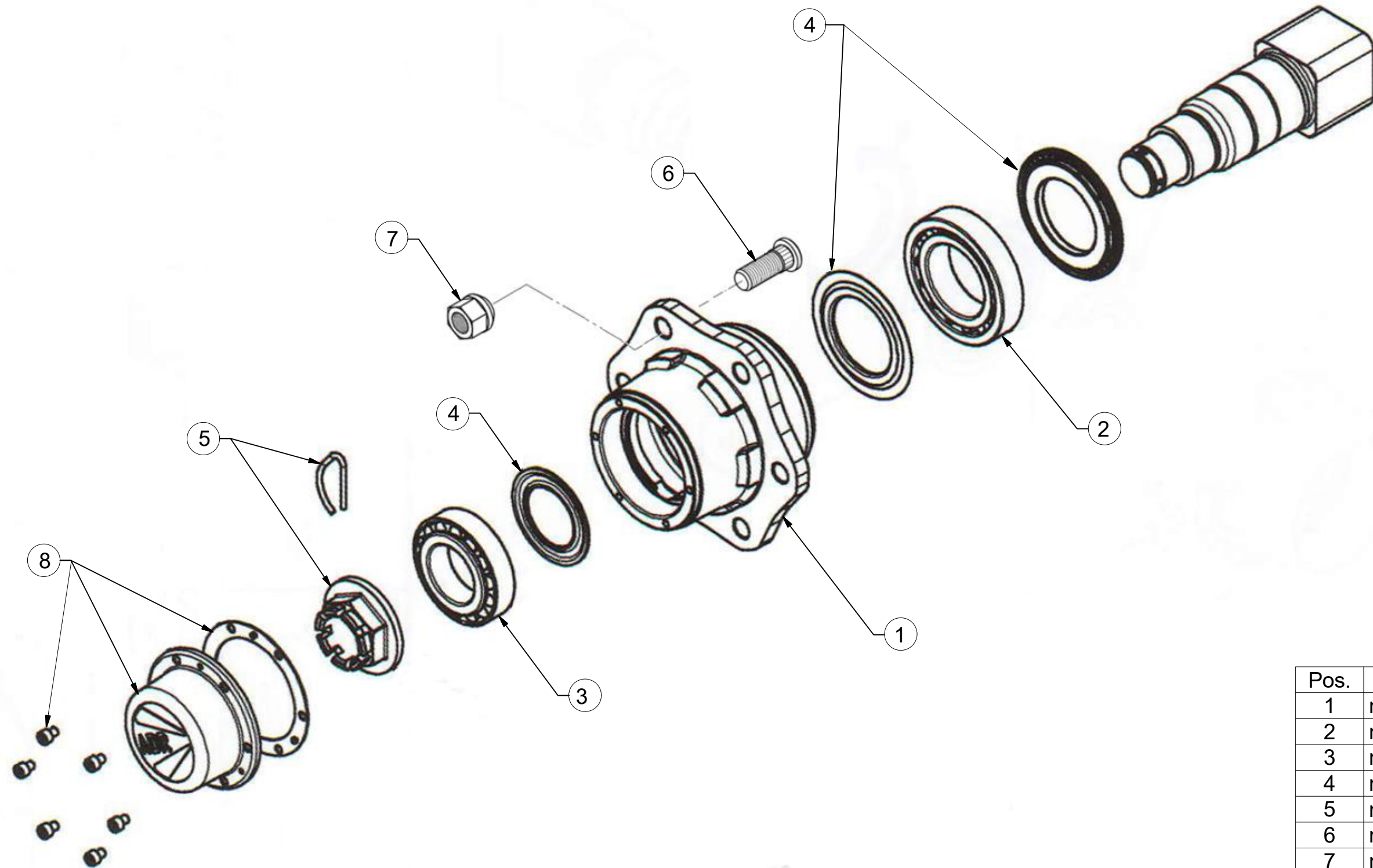
Ⓒ AXLE

Ⓓ OCB

Ⓕ OS



**A80RM600**



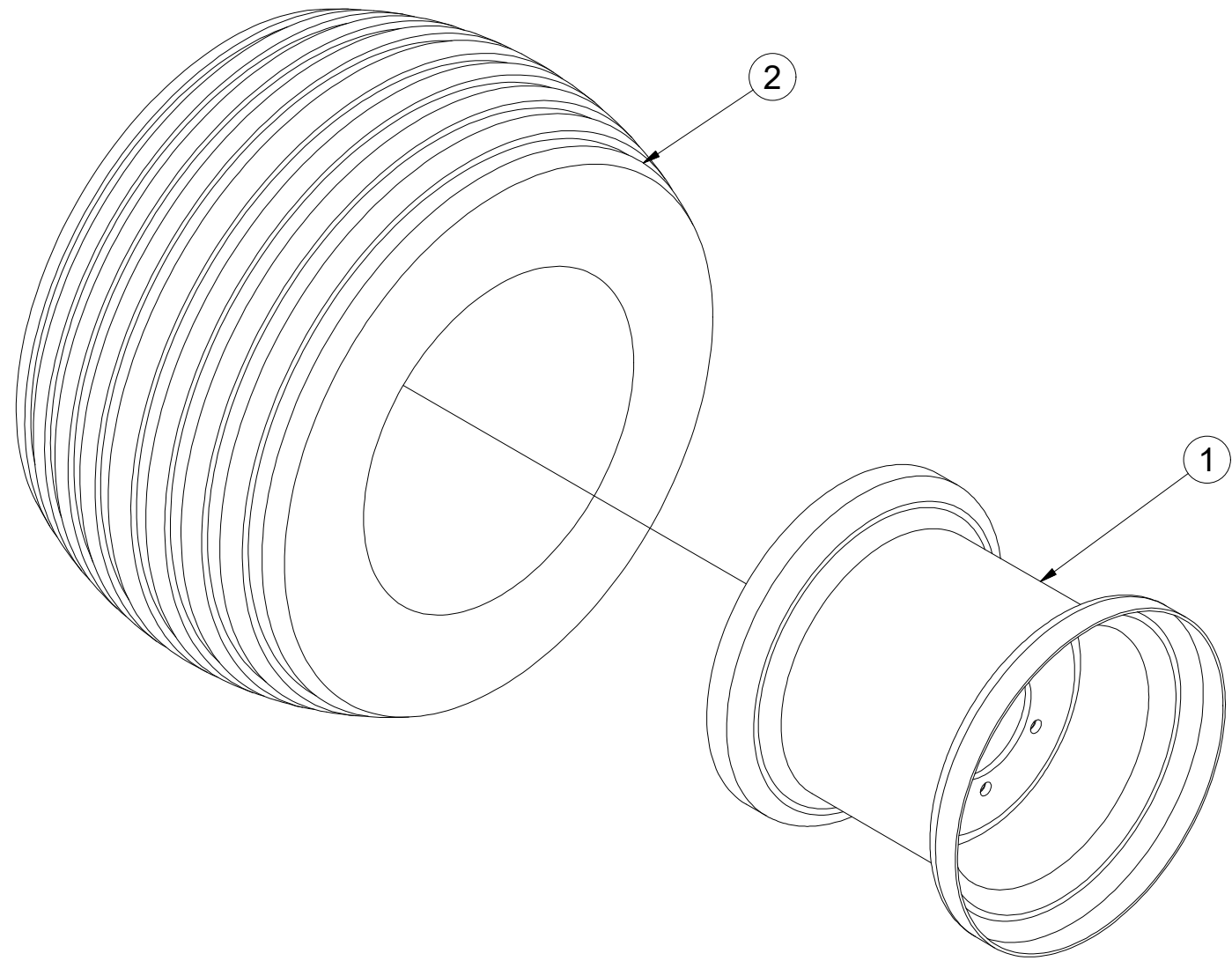
| Pos. | Part Number | Pcs. |
|------|-------------|------|
| 1    | m12567      | 2    |
| 2    | m07153      | 2    |
| 3    | m07154      | 2    |
| 4    | m12565      | 2    |
| 5    | m08168      | 2    |
| 6    | m08148      | 12   |
| 7    | m08163      | 12   |
| 8    | m12566      | 2    |

- Ⓒ SADA NÁPRAVY
- Ⓓ SATZ AUFHÄNGUNG
- Ⓕ KIT DE L'ESSIEU

- Ⓖ AXLE SET
- Ⓡ КОМПЛЕКТ ОСИ КОЛЁС
- Ⓟ ZESTAW OSI



**m11625**



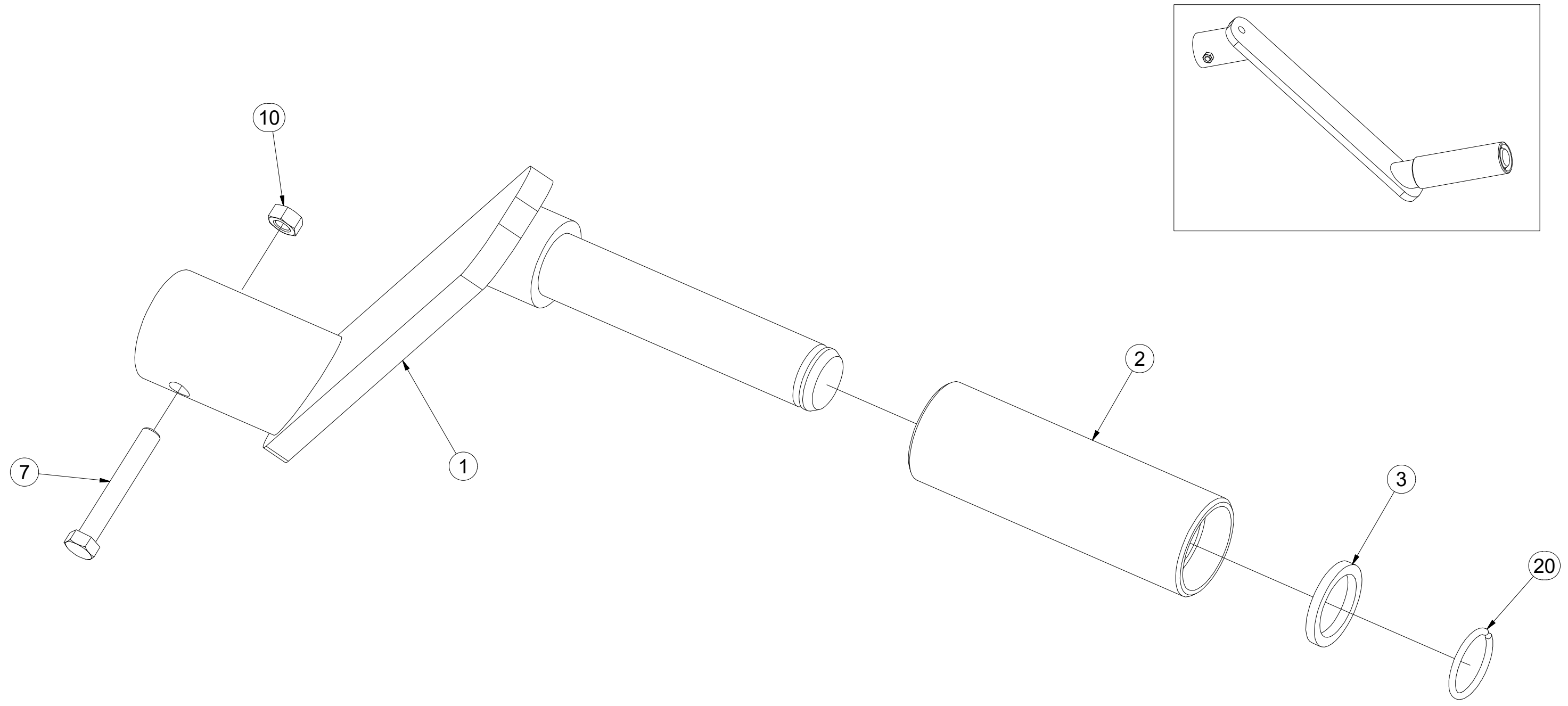
| Pos. | Part Number | Pcs. |
|------|-------------|------|
| 1    | m13089      | 1    |
| 2    | m07707      | 1    |

CZ NASAZOVACÍ KLIKA  
 D EINSTELLKURBEL  
 F MANIVELLE AMOVIBILE

GB PRESS-ON HANDLE  
 RU НАСАЖИВАЕМАЯ РУКОЯТКА  
 PL KLAMKA MOCOWANA



**4003087**



| Pos. | Part Number | Pcs. |
|------|-------------|------|
| 1    | 4003092     | 1    |
| 2    | 4001533     | 1    |
| 3    | 4004828     | 1    |
| 7    | m04641      | 1    |
| 10   | m01295      | 1    |
| 20   | m06561      | 1    |



ⒸZ TERČ ZADNÍ LEVÝ

Ⓓ SCHILD, HINTERES, LINKES

Ⓕ CIBLE ARRIÈRE GAUCHE

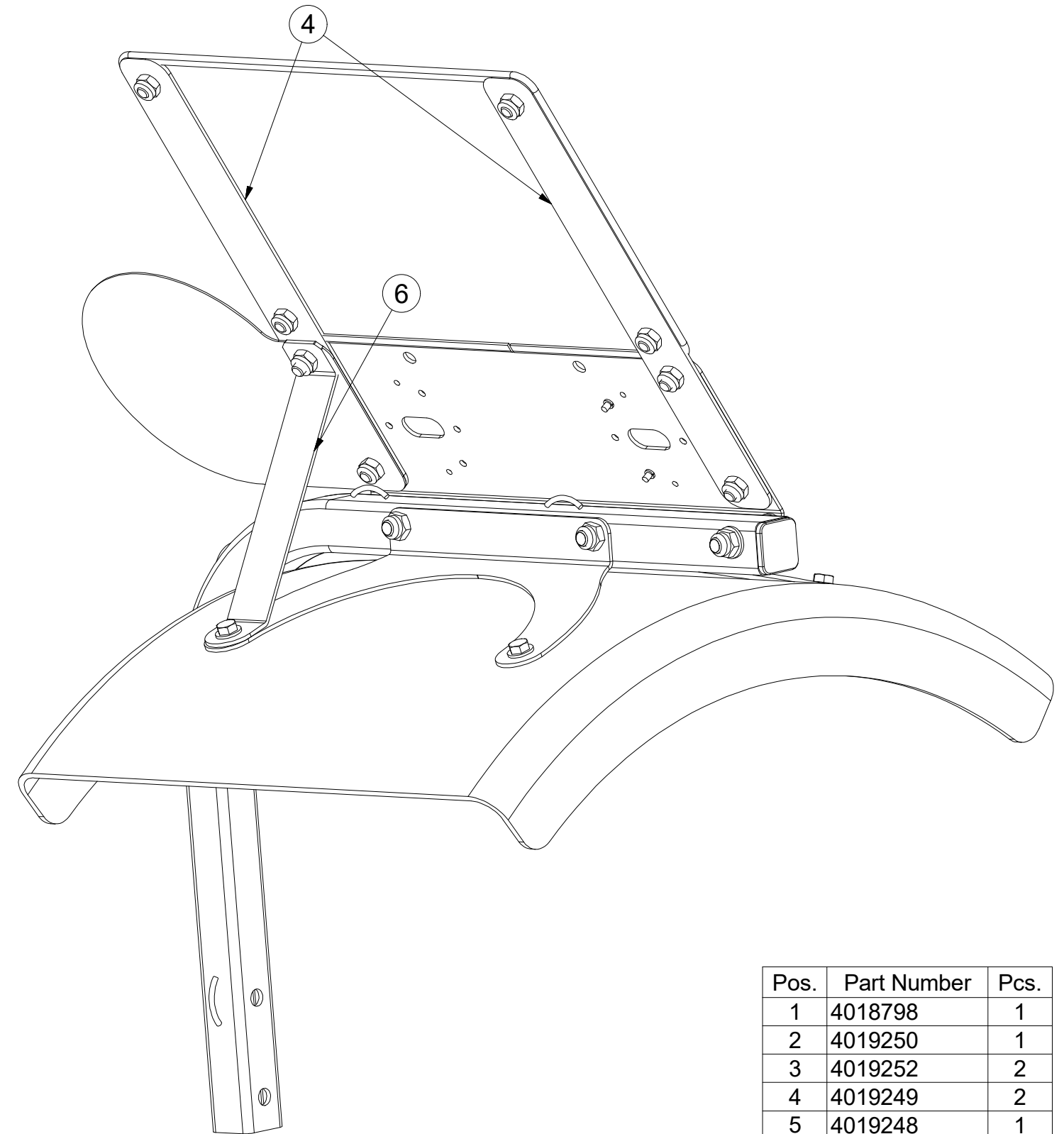
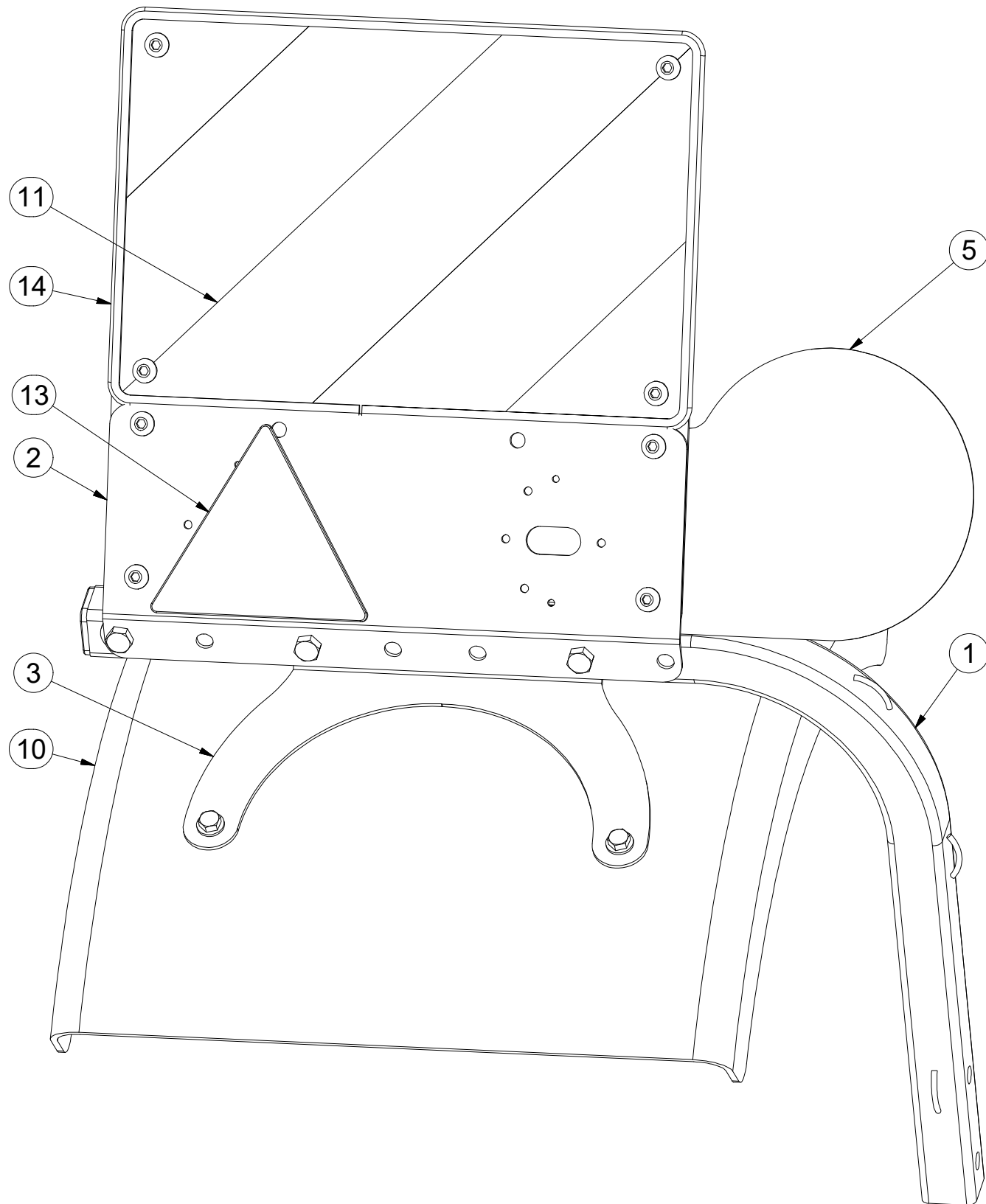
**3009523**

ⒼB LEFT REAR DISC

ⒺЩИТОК ЗАДНИЙ ЛЕВЫЙ

ⒽL TARCZA TYLNA LEWA

**Farmet**



| Pos. | Part Number | Pcs. |
|------|-------------|------|
| 1    | 4018798     | 1    |
| 2    | 4019250     | 1    |
| 3    | 4019252     | 2    |
| 4    | 4019249     | 2    |
| 5    | 4019248     | 1    |
| 6    | 4019251     | 1    |
| 10   | m09983      | 1    |
| 11   | m16274      | 1    |
| 13   | m02497      | 1    |
| 14   | m16628      | 1,4  |

ⒸZ TERČ ZADNÍ LEVÝ

Ⓓ SCHILD, HINTERES, LINKES

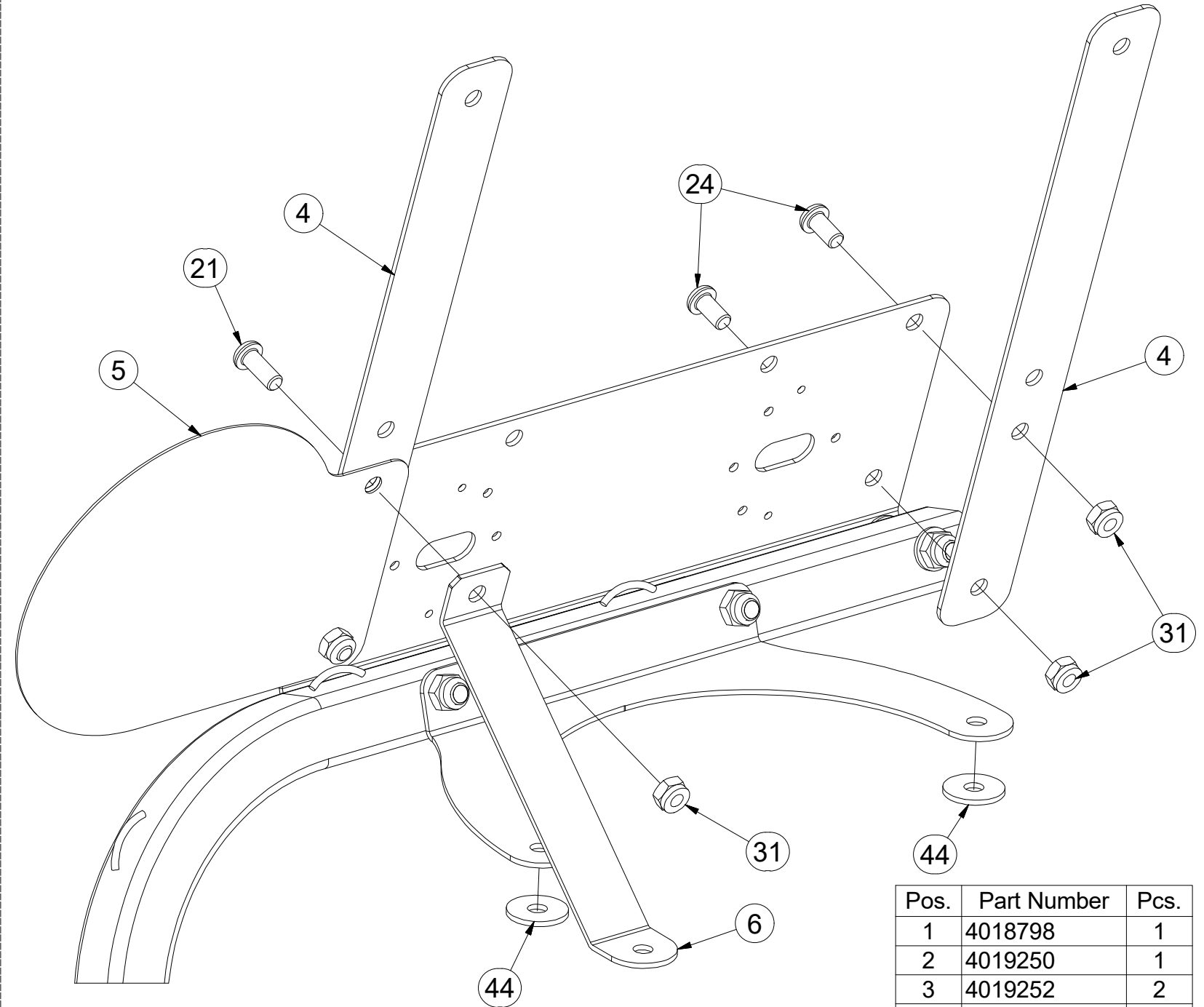
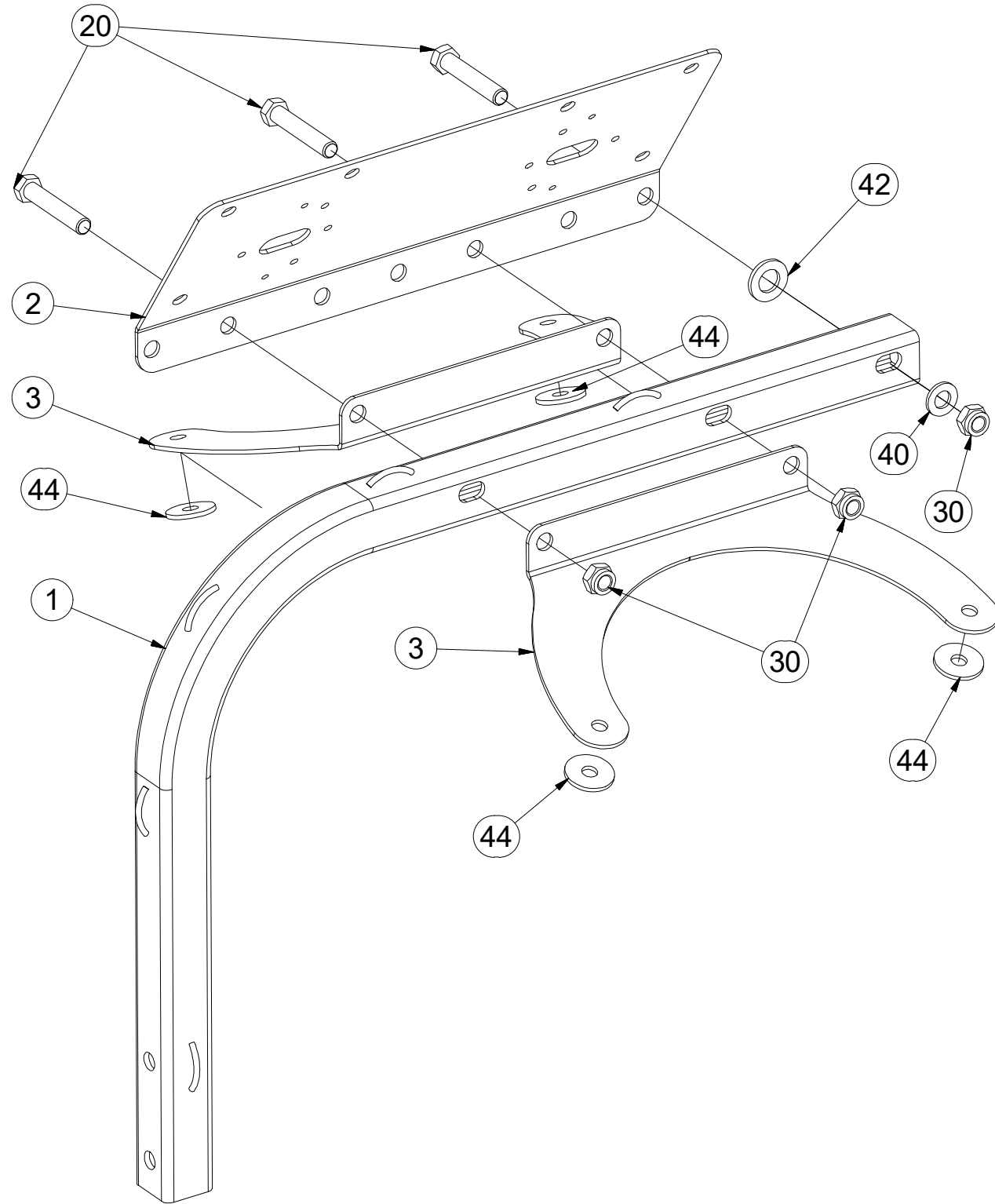
Ⓕ CIBLE ARRIÈRE GAUCHE

**3009523**

ⒸGB LEFT REAR DISC

ⒸRU ЩИТОК ЗАДНИЙ ЛЕВЫЙ

ⒸPL TARCZA TYLNA LEWA



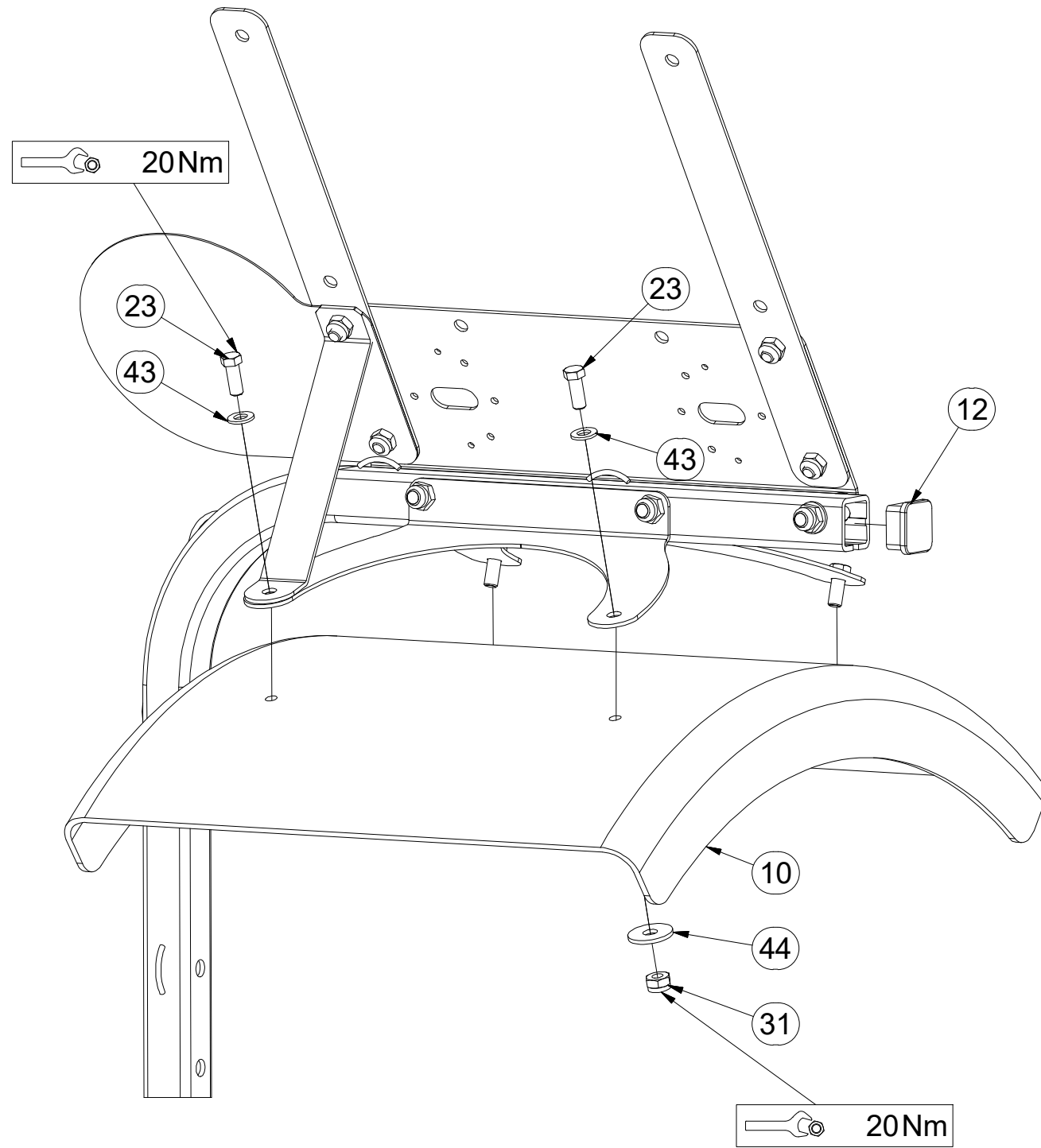
| Pos. | Part Number | Pcs. |
|------|-------------|------|
| 1    | 4018798     | 1    |
| 2    | 4019250     | 1    |
| 3    | 4019252     | 2    |
| 4    | 4019249     | 2    |
| 5    | 4019248     | 1    |
| 6    | 4019251     | 1    |
| 20   | m05898      | 3    |
| 21   | m16688      | 1    |
| 24   | m16637      | 3    |
| 30   | m04301      | 3    |
| 31   | m03775      | 12   |
| 40   | m01214      | 1    |
| 42   | m01219      | 1    |
| 44   | m16981      | 4    |

ⒸZ TERČ ZADNÍ LEVÝ

Ⓓ SCHILD, HINTERES, LINKES

Ⓕ CIBLE ARRIÈRE GAUCHE

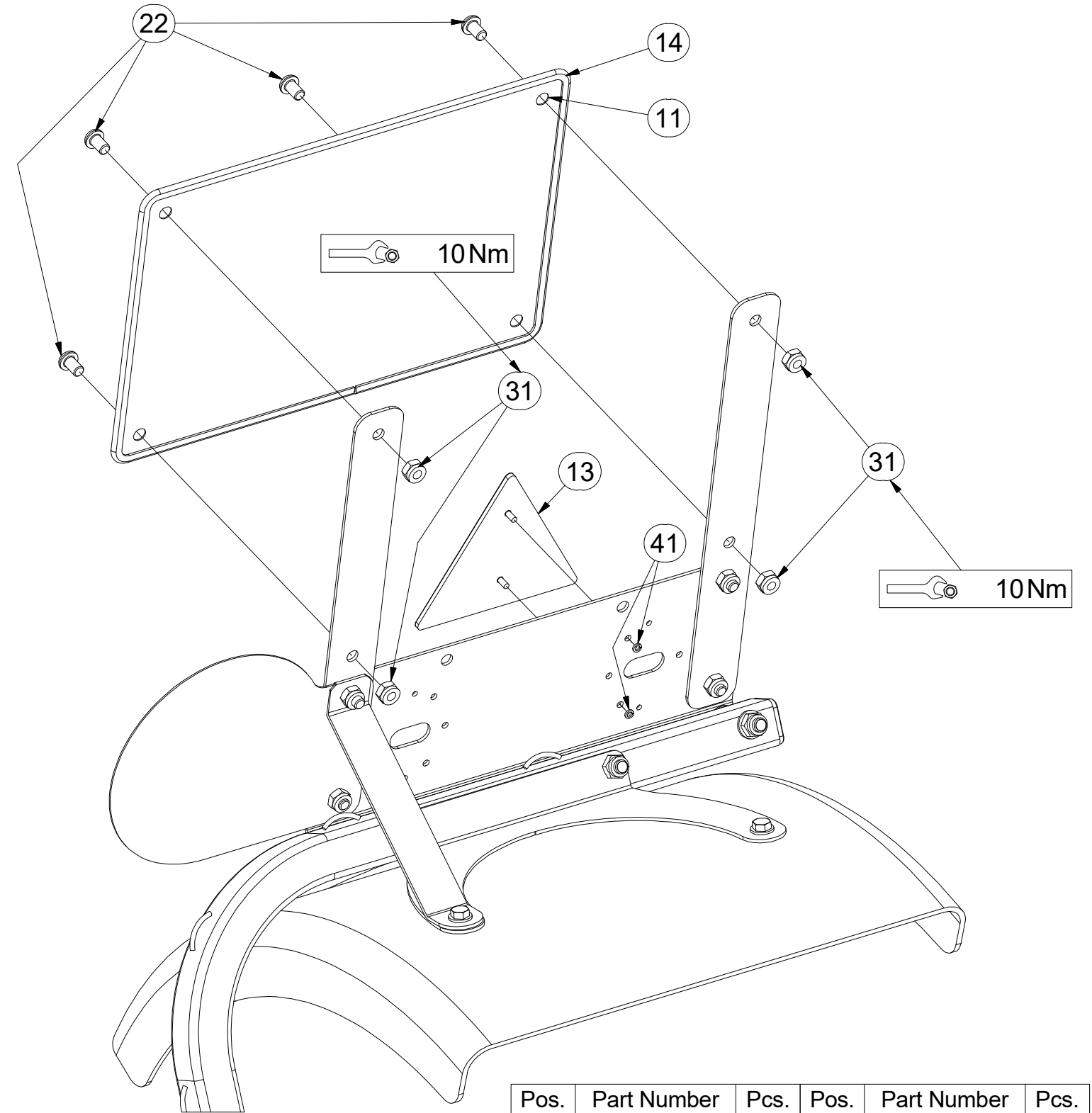
**3009523**



ⒸB LEFT REAR DISC

Ⓔ ЩИТОК ЗАДНИЙ ЛЕВЫЙ

Ⓗ TARCZA TYLNA LEWA



| Pos. | Part Number | Pcs. | Pos. | Part Number | Pcs. |
|------|-------------|------|------|-------------|------|
| 10   | m09983      | 1    | 23   | m03681      | 4    |
| 11   | m16274      | 1    | 31   | m03775      | 12   |
| 12   | m12689      | 1    | 41   | m01197      | 2    |
| 13   | m02497      | 1    | 43   | m01209      | 4    |
| 14   | m16628      | 1,4  | 44   | m16981      | 4    |
| 22   | m16687      | 4    |      |             |      |

ⒸZ TERČ ZADNÍ PRAVÝ

Ⓓ SCHILD, HINTERES, RECHTES

Ⓕ CIBLE ARRIÈRE DROITE

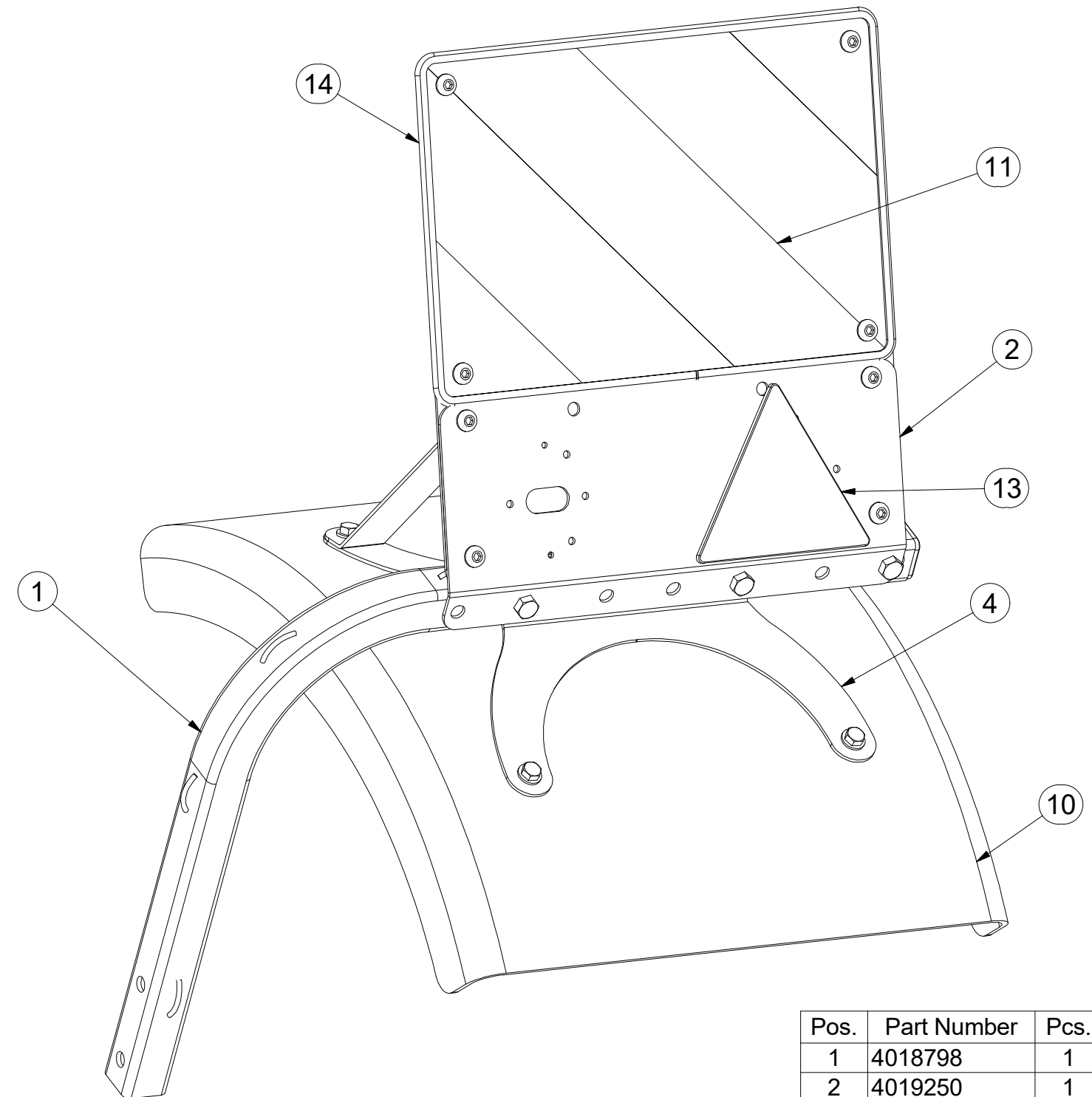
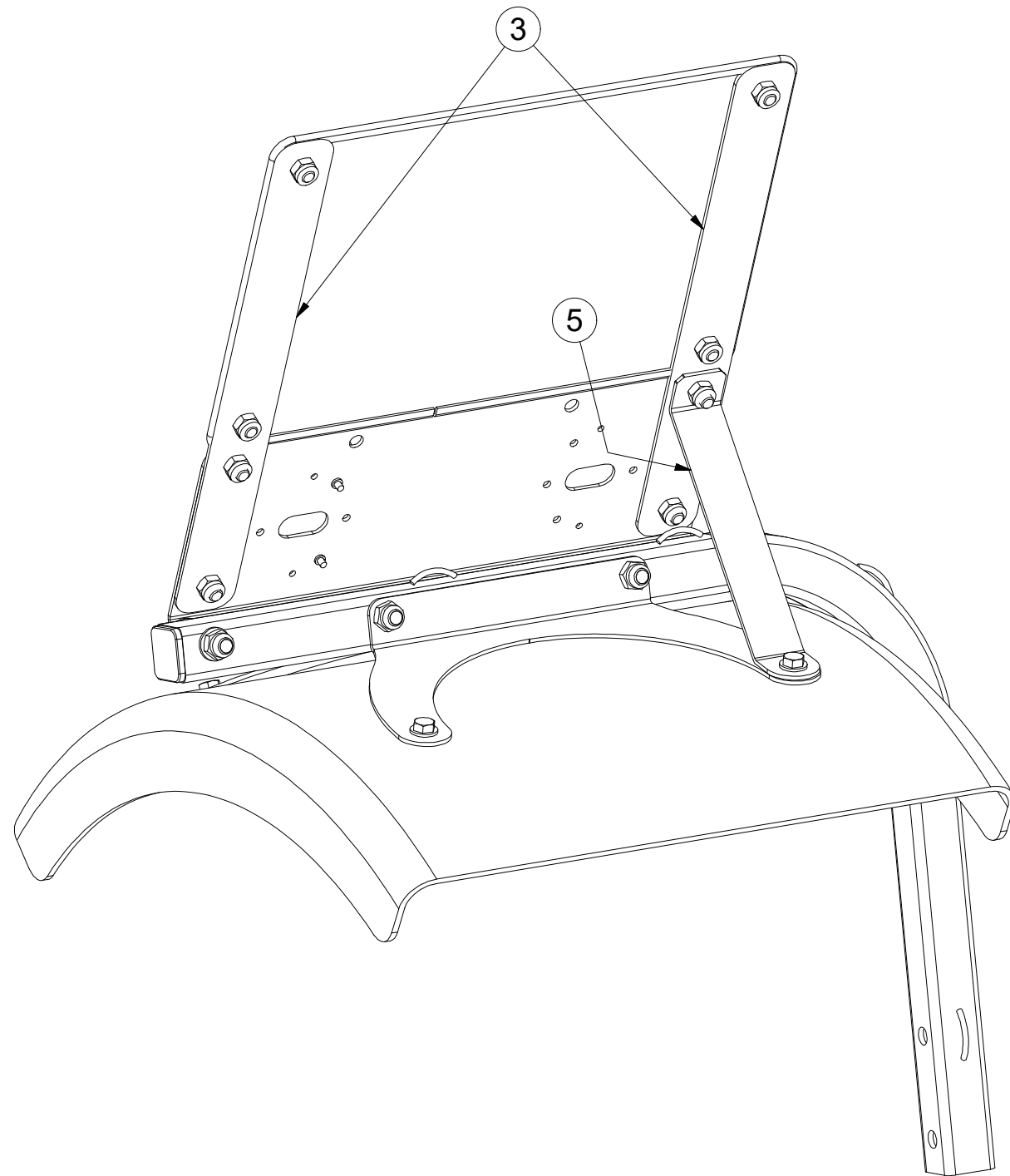
**3009524**

ⒸGB RIGHT REAR DISC

ⒸRU ЩИТОК ЗАДНИЙ ПРАВЫЙ

ⒸPL TARCZA TYLNA PRAWA

**Farmet**



| Pos. | Part Number | Pcs. |
|------|-------------|------|
| 1    | 4018798     | 1    |
| 2    | 4019250     | 1    |
| 3    | 4019249     | 2    |
| 4    | 4019252     | 2    |
| 5    | 4019251     | 1    |
| 10   | m09983      | 1    |
| 11   | m16273      | 1    |
| 13   | m02497      | 1    |
| 14   | m16628      | 1,4  |



Ⓒ TERČ ZADNÍ PRAVÝ

Ⓓ SCHILD, HINTERES, RECHTES

Ⓕ CIBLE ARRIÈRE DROITE

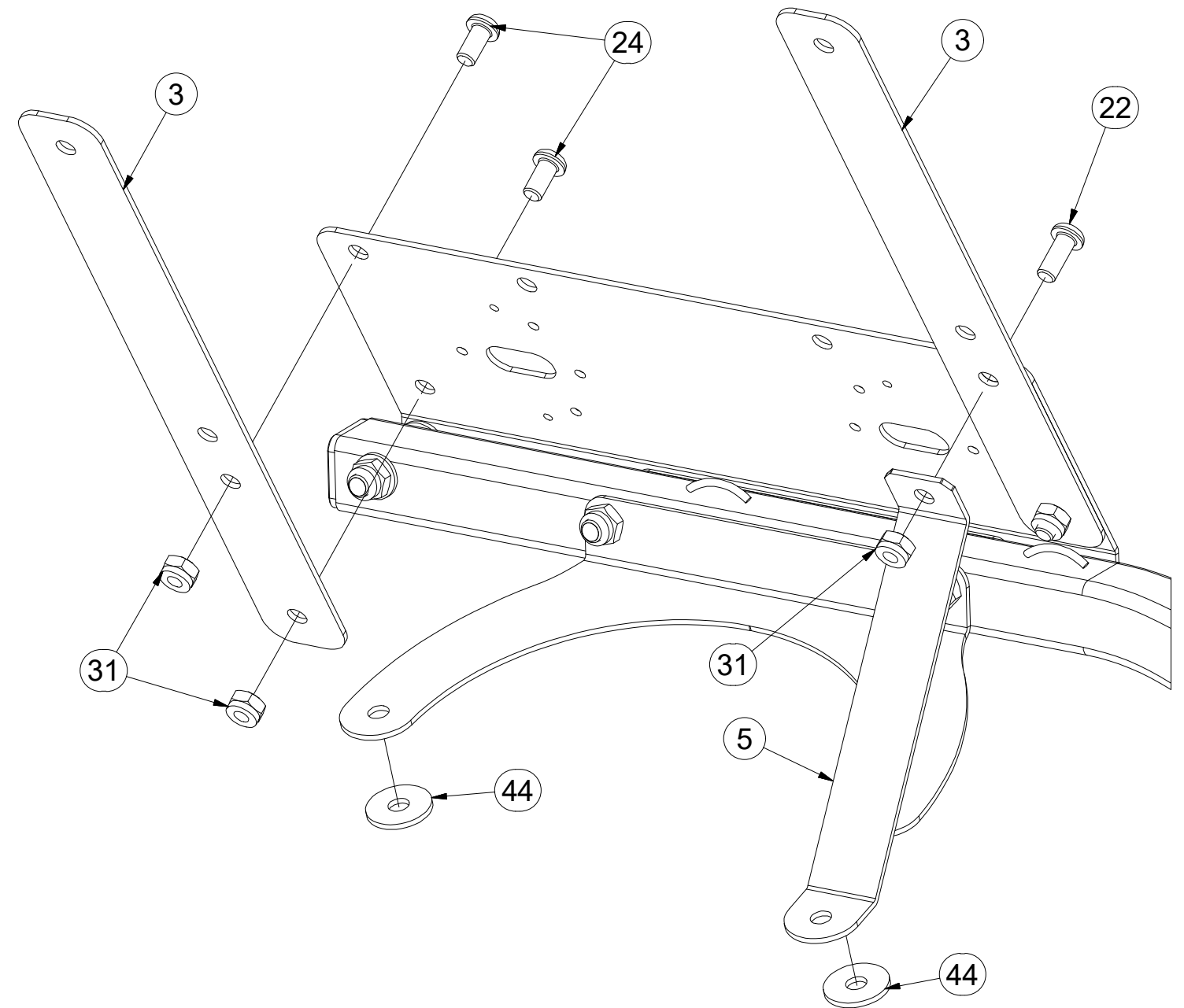
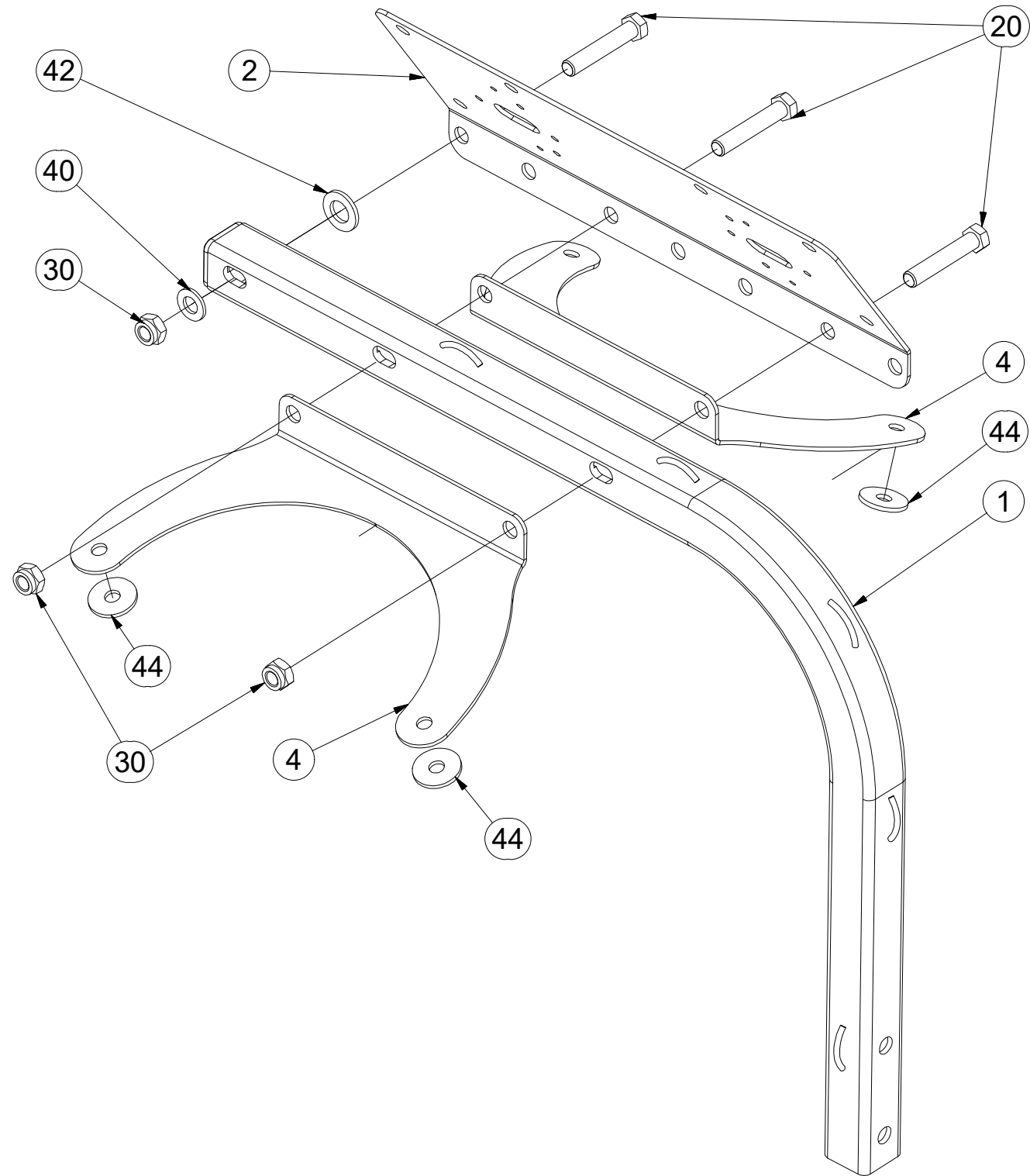
**3009524**

Ⓖ RIGHT REAR DISC

Ⓡ ЩИТОК ЗАДНИЙ ПРАВЫЙ

Ⓢ TARCZA TYLNA PRAWA

**Farmet**



| Pos. | Part Number | Pcs. | Pos. | Part Number | Pcs. |
|------|-------------|------|------|-------------|------|
| 1    | 4018798     | 1    | 24   | m16637      | 3    |
| 2    | 4019250     | 1    | 30   | m04301      | 3    |
| 3    | 4019249     | 2    | 31   | m03775      | 12   |
| 4    | 4019252     | 2    | 40   | m01214      | 1    |
| 5    | 4019251     | 1    | 42   | m01219      | 1    |
| 20   | m05898      | 3    | 44   | m16981      | 4    |
| 22   | m16688      | 1    |      |             |      |

ⒸZ TERČ ZADNÍ PRAVÝ

Ⓓ SCHILD, HINTERES, RECHTES

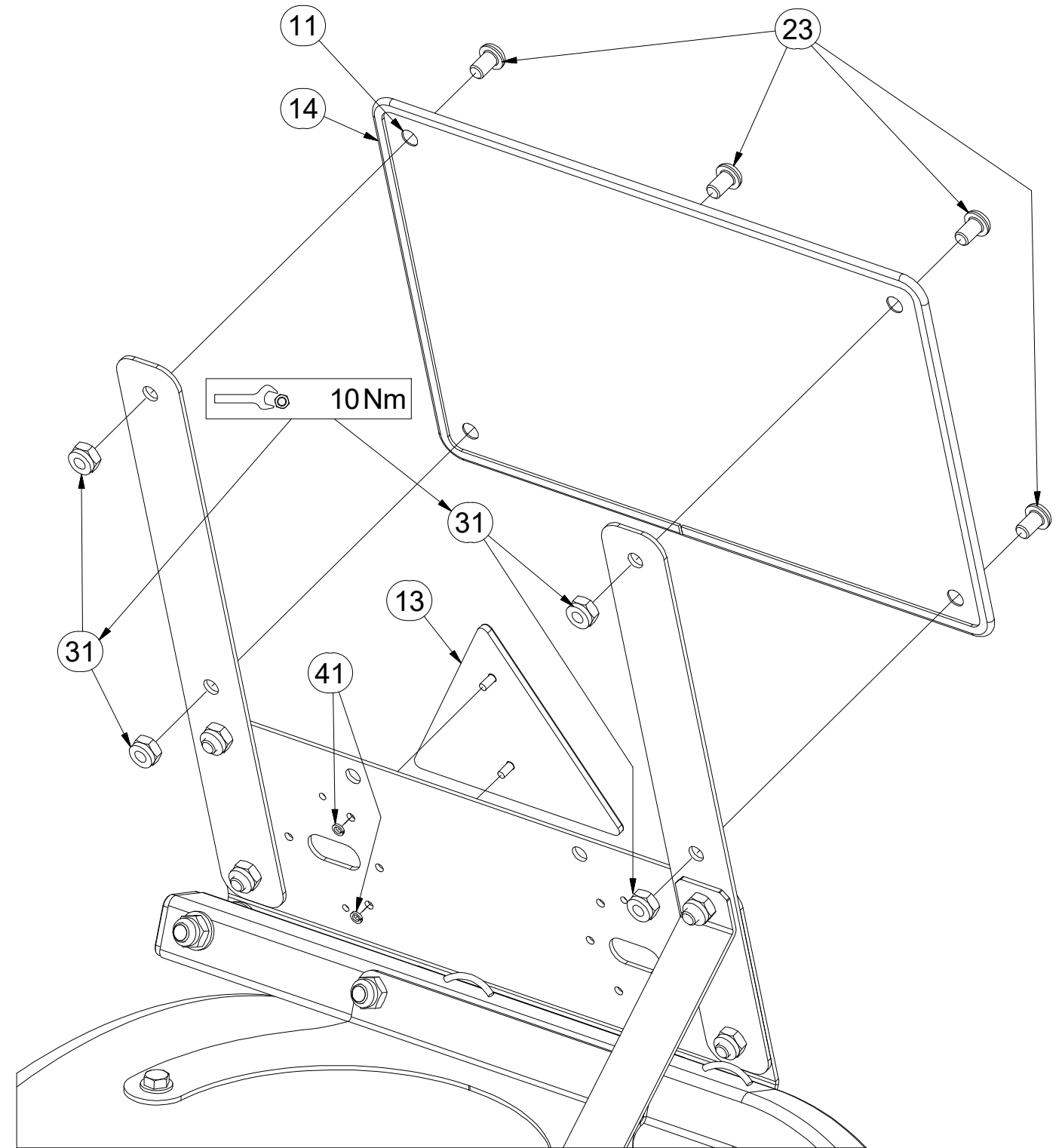
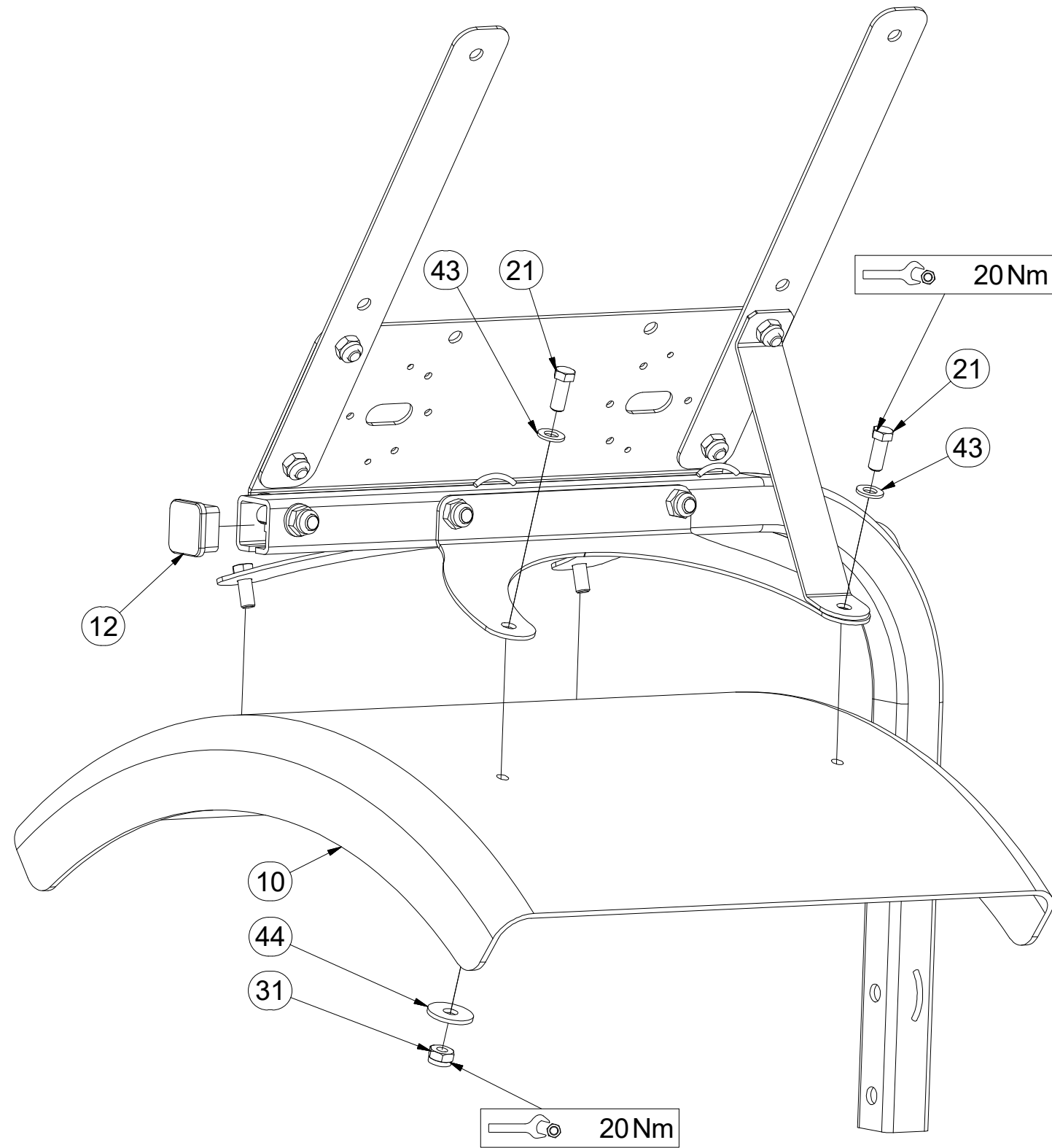
Ⓕ CIBLE ARRIÈRE DROITE

**3009524**

ⒼB RIGHT REAR DISC

ⒶЩИТОК ЗАДНИЙ ПРАВЫЙ

ⒶTARCZA TYLNA PRAWA



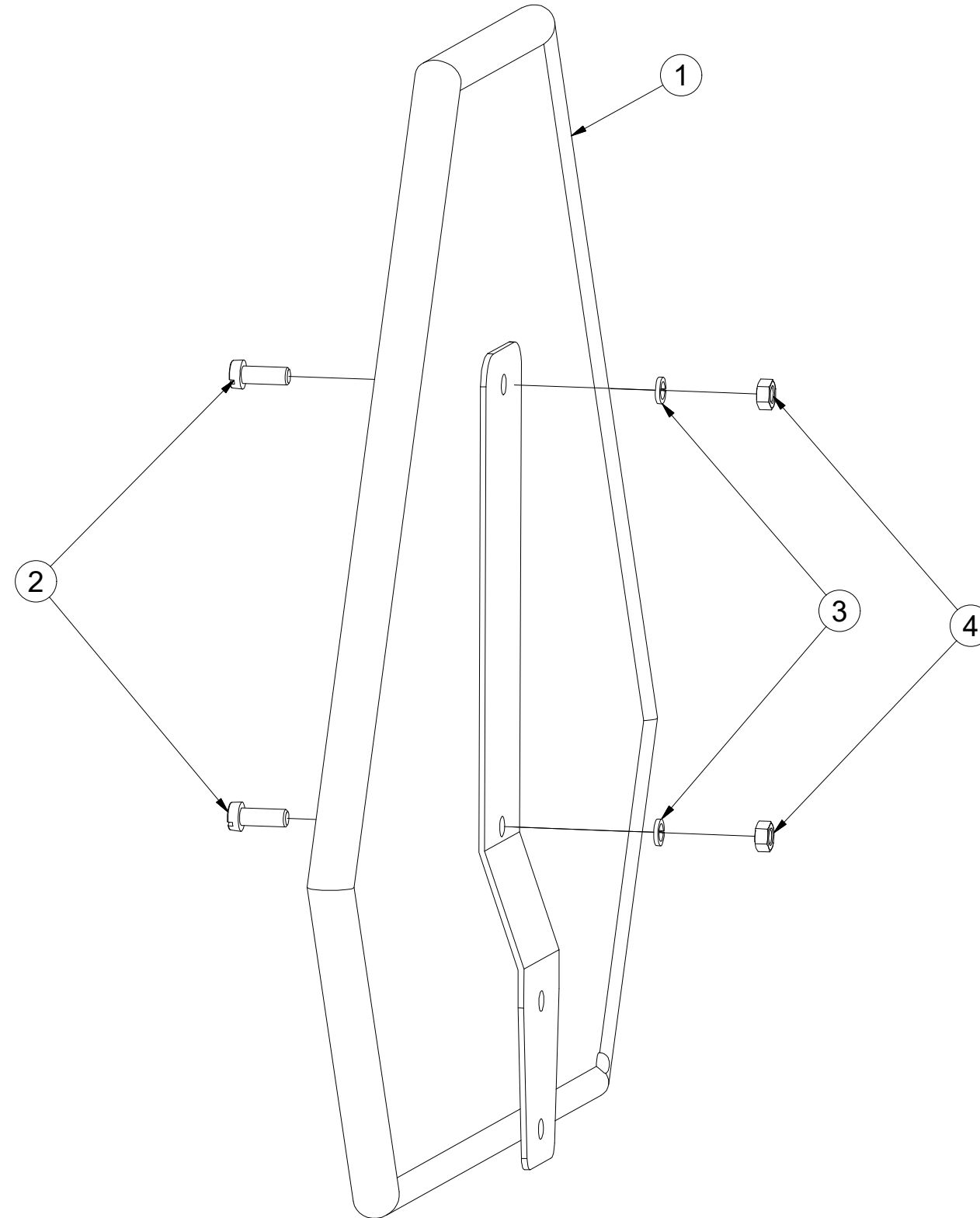
| Pos. | Part Number | Pcs. | Pos. | Part Number | Pcs. |
|------|-------------|------|------|-------------|------|
| 10   | m09983      | 1    | 23   | m16687      | 4    |
| 11   | m16273      | 1    | 31   | m03775      | 12   |
| 12   | m12689      | 1    | 41   | m01197      | 2    |
| 13   | m02497      | 1    | 43   | m01209      | 4    |
| 14   | m16628      | 1,4  | 44   | m16981      | 4    |
| 21   | m03681      | 4    |      |             |      |

Ⓒ VÝSTRAŽNÝ TROJÚHELNÍK  
Ⓓ WARNDREIECK  
Ⓕ TRIANGLE D'AVERTISSEMENT

Ⓖ EMERGENCY TRIANGLE  
Ⓡ ЗНАК АВАРИЙНОЙ ОСТАНОВКИ  
Ⓟ TRÓJKĄT OSTRZEGAWCZY



**3001210**



| Pos. | Part Number | Pcs. |
|------|-------------|------|
| 1    | m05371      | 1    |
| 2    | m11759      | 2    |
| 3    | m01200      | 2    |
| 4    | m01295      | 2    |

ⒸZ HYDRAULIKA STROJE

Ⓓ HYDRAULIK DER MASCHINE

Ⓕ HYDRAULIQUE DE LA MACHINE

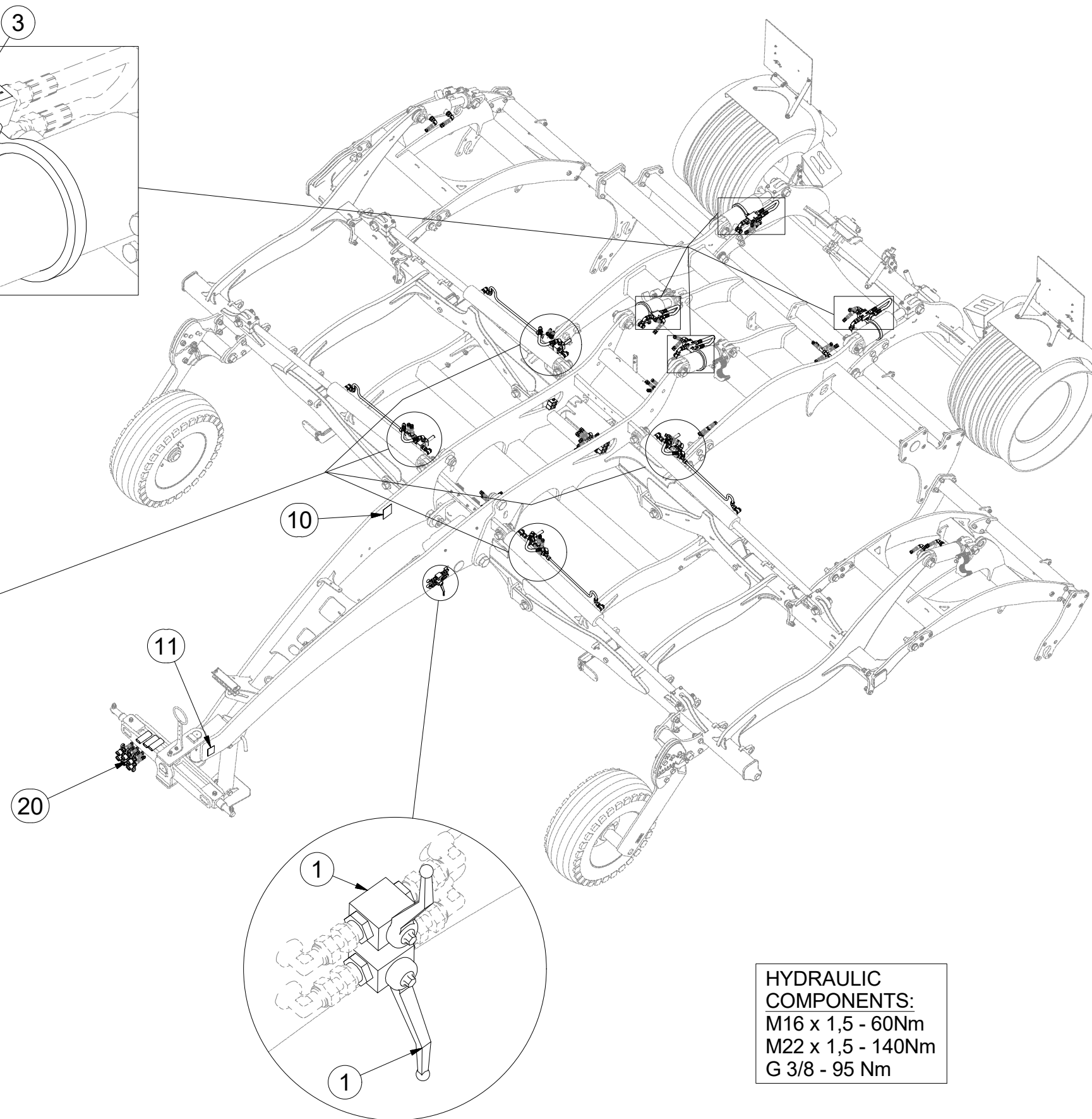
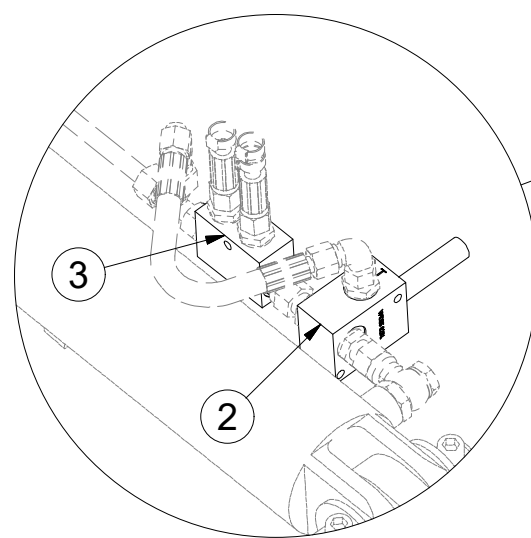
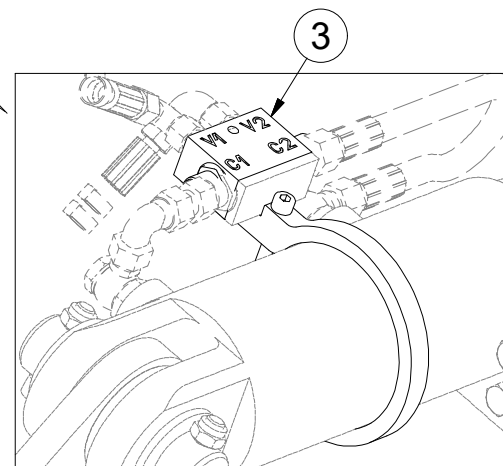
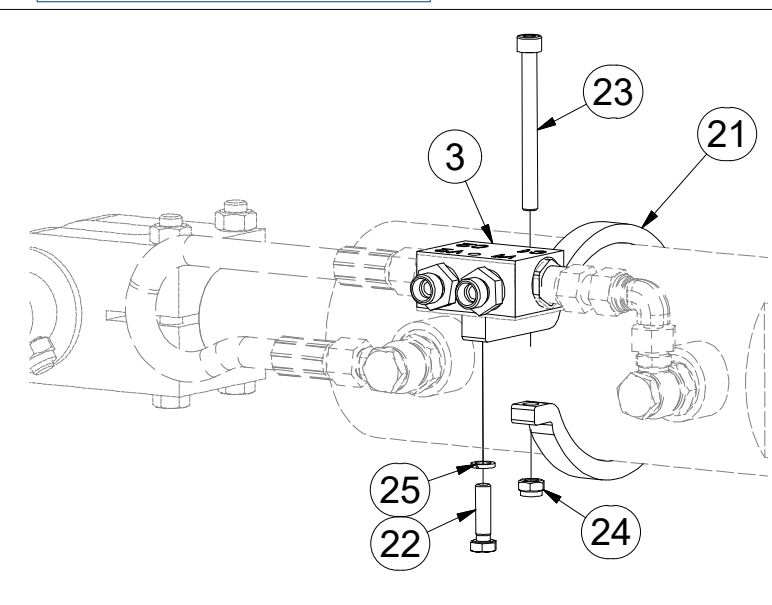
ⒼB MACHINE HYDRAULICS

Ⓔ RU ГИДРАВЛИКА МАШИНЫ

Ⓐ PL HYDRAULIKA MASZYN



**3009755**



| Pos. | Part Number | Pcs. |
|------|-------------|------|
| 1    | m04623      | 2    |
| 2    | m08910      | 4    |
| 3    | m08083      | 8    |
| 10   | m11920      | 1    |
| 11   | m11921      | 1    |
| 20   | m16748      | 1    |
| 21   | 4020470     | 4    |
| 22   | m04791      | 4    |
| 23   | m11870      | 4    |
| 24   | m04503      | 4    |
| 25   | m01202      | 4    |

HYDRAULIC  
COMPONENTS:  
M16 x 1,5 - 60Nm  
M22 x 1,5 - 140Nm  
G 3/8 - 95 Nm



ⒸZ HYDRAULICKÝ ROZVOD SKLÁPĚNÍ

Ⓓ HYDRAULISCHE VERTEILUNG KLAPPMCHANISMUS

Ⓕ CONDUIT HYDRAULIQUE DU BASCULEMENT

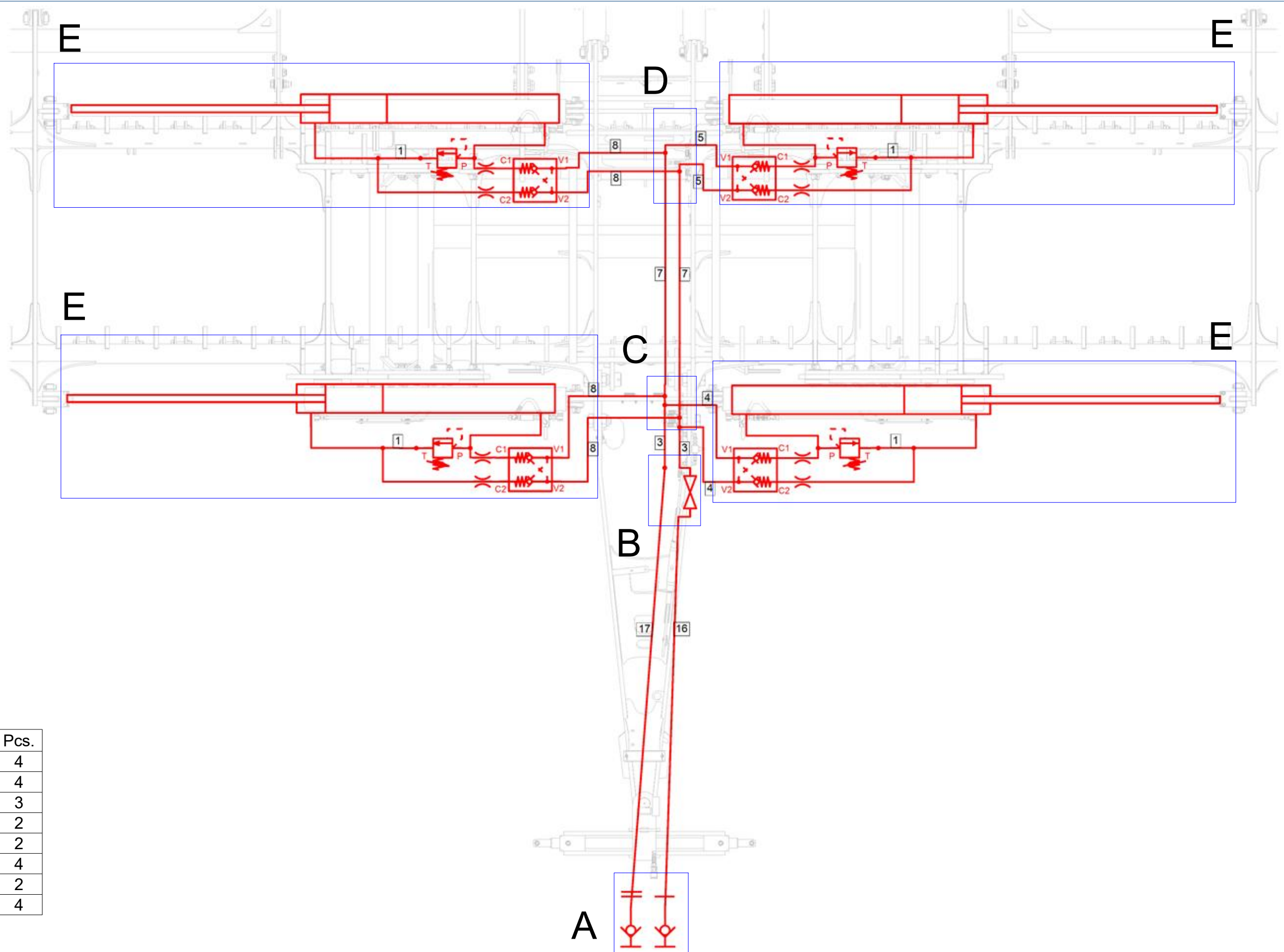
ⒸB HYDRAULIC FOLDING DISTRIBUTION

ⒸU ГИДРАВЛИЧЕСКОЕ РАСПРЕДЕЛЕНИЕ СКЛАДЫВАНИЯ

ⒸL HYDRAULICZNY PRZEWÓD SKŁADANIA

**Farmet**

**8000789-30137**



| Pos. | Part Number | Pcs. |
|------|-------------|------|
| 1    | m05322      | 4    |
| 3    | m04827      | 4    |
| 4    | m04761      | 3    |
| 5    | m07645      | 2    |
| 7    | m07646      | 2    |
| 8    | m03951      | 4    |
| 16   | m05221      | 2    |
| 17   | m04310      | 4    |

ⒸZ HYDRAULICKÝ ROZVOD SKLÁPĚNÍ

Ⓓ HYDRAULISCHE VERTEILUNG KLAPPMCHANISMUS

Ⓕ CONDUIT HYDRAULIQUE DU BASCULEMENT

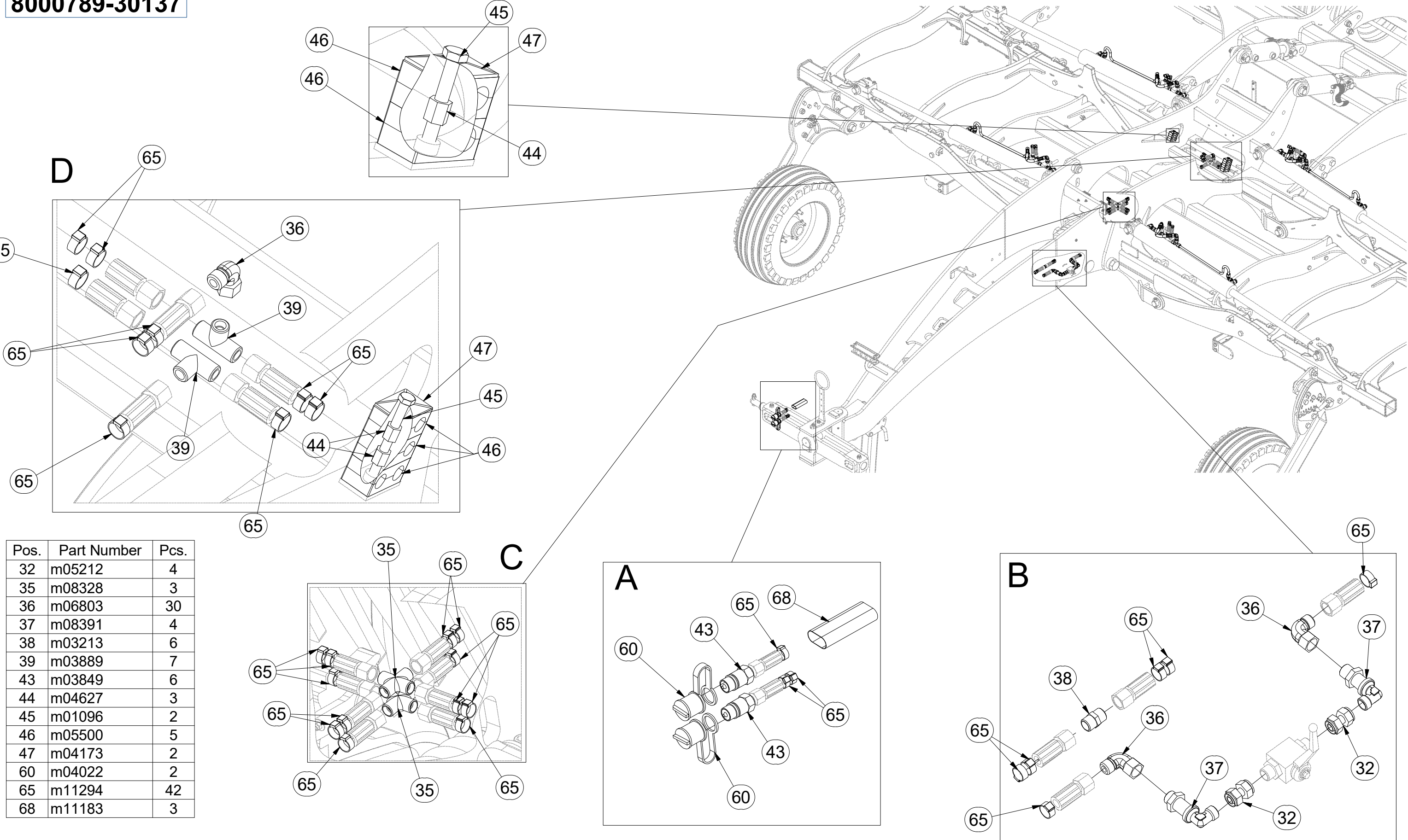
ⒸB HYDRAULIC FOLDING DISTRIBUTION

ⒸU ГИДРАВЛИЧЕСКОЕ РАСПРЕДЕЛЕНИЕ СКЛАДЫВАНИЯ

ⒸL HYDRAULICZNY PRZEWÓD SKŁADANIA



**8000789-30137**





ⒸZ HYDRAULICKÝ ROZVOD SKLÁPĚNÍ

Ⓓ HYDRAULISCHE VERTEILUNG KLAPPMCHANISMUS

Ⓕ CONDUIT HYDRAULIQUE DU BASCULEMENT

ⒸB HYDRAULIC FOLDING DISTRIBUTION

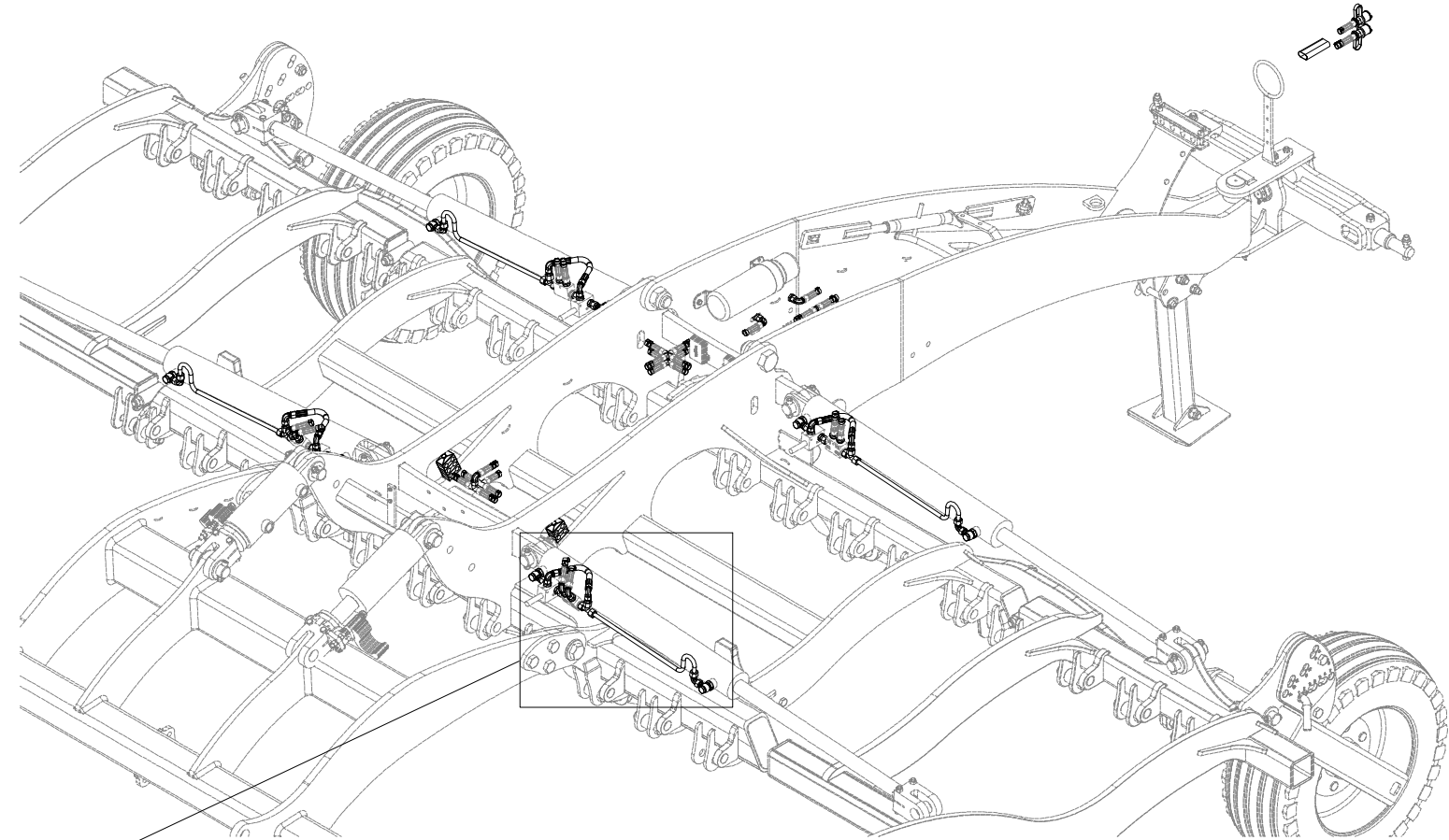
ⒸU ГИДРАВЛИЧЕСКОЕ РАСПРЕДЕЛЕНИЕ СКЛАДЫВАНИЯ

ⒸL HYDRAULICZNY PRZEWÓD SKŁADANIA

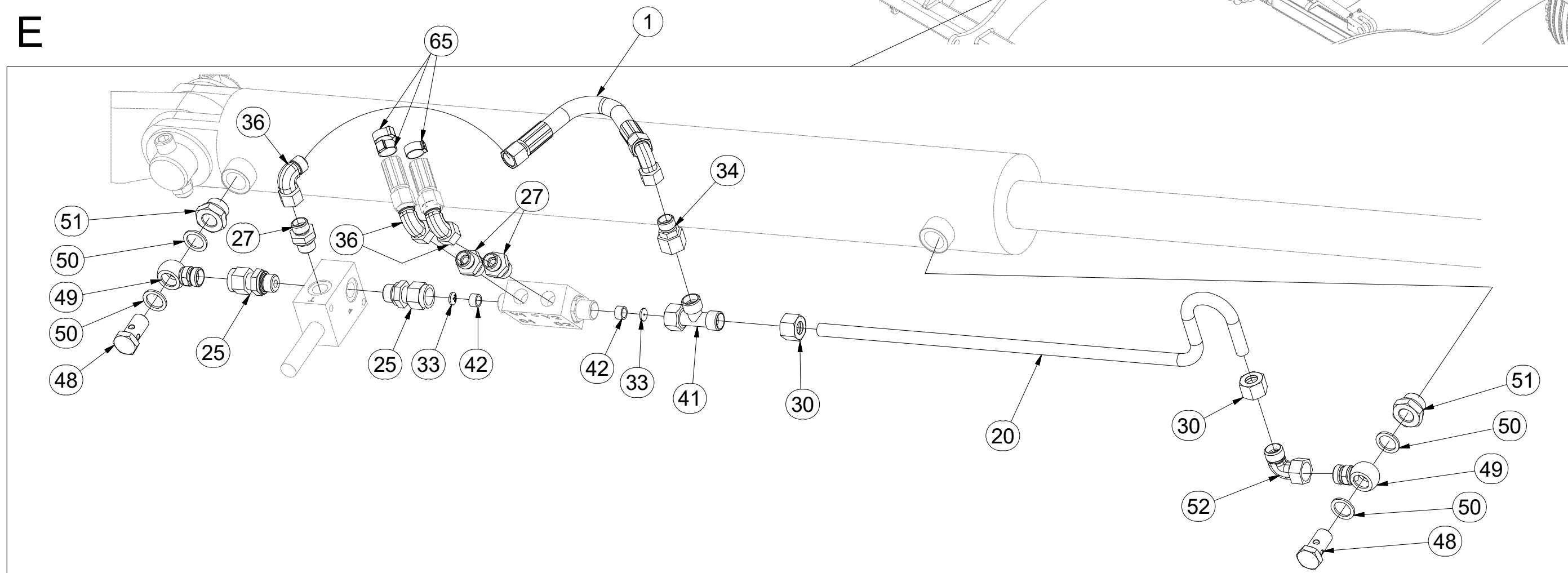
**Farmet**

**8000789-30137**

| Pos. | Part Number | Pcs. | Pos. | Part Number | Pcs. |
|------|-------------|------|------|-------------|------|
| 1    | m05322      | 4    | 41   | m08299      | 4    |
| 20   | m16714      | 4    | 42   | m10899      | 8    |
| 25   | m00013      | 8    | 48   | m08460      | 16   |
| 27   | m06528      | 20   | 49   | m08461      | 16   |
| 30   | m17321      | 8    | 50   | m12442      | 32   |
| 33   | m10776      | 8    | 51   | m08462      | 16   |
| 34   | m09986      | 4    | 52   | m07654      | 8    |
| 36   | m06803      | 30   | 65   | m11294      | 42   |



**E**



Ⓒ HYDRAULICKÝ ROZVOD - ZAHLUBOVÁNÍ

Ⓓ HYDRAULISCHE VERTEILUNG - EINSENKUNG

Ⓕ CONDUIT HYDRAULIQUE - L'ENFONCEMENT

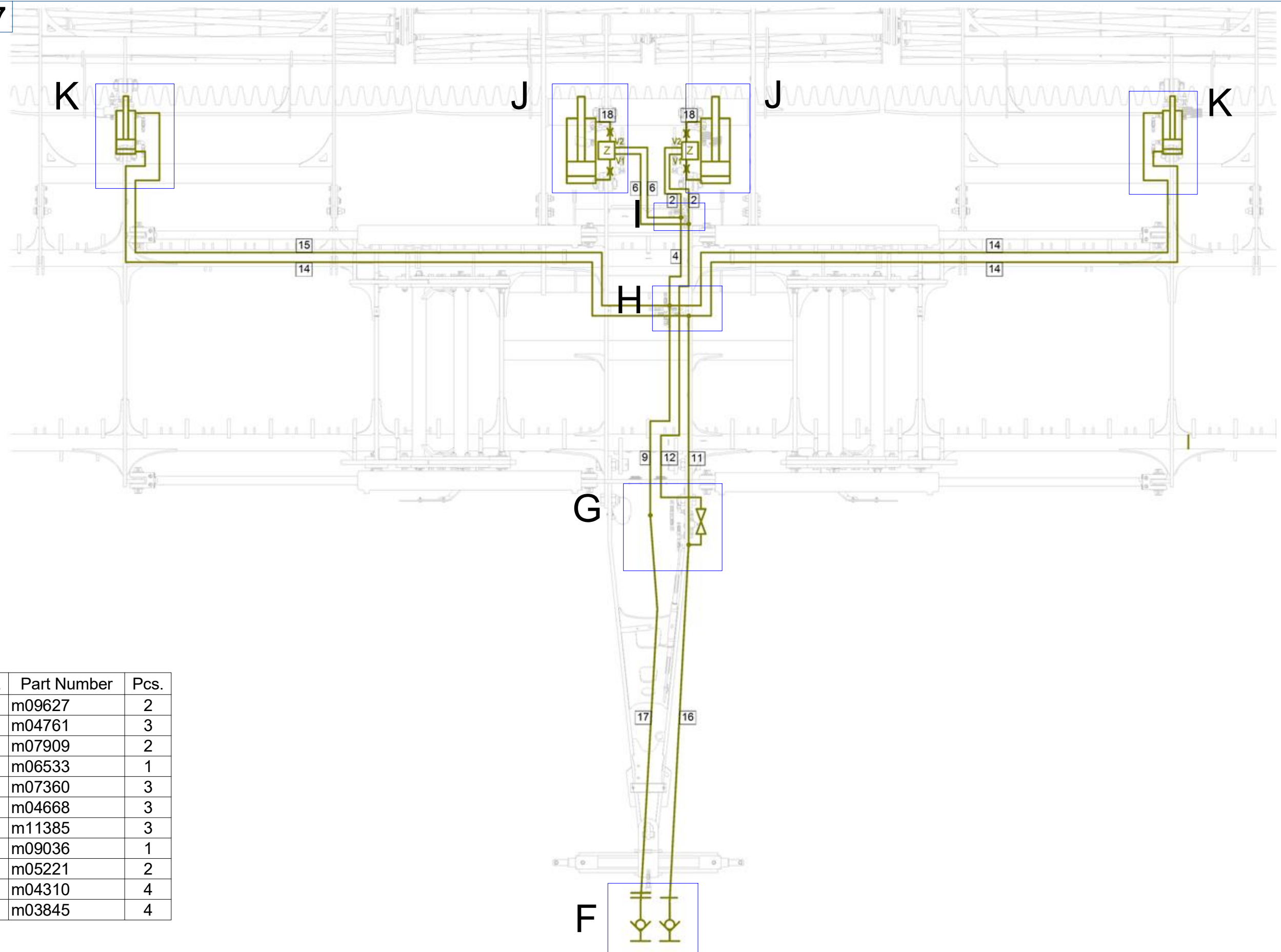
Ⓖ HYDRAULIC DISTRIBUTION - RECESSING

Ⓡ ГИДРАВЛИЧЕСКОЕ РАСПРЕДЕЛЕНИЕ - ЗАГЛУБЛЕНИЕ

Ⓢ HYDRAULICZNY PRZEWÓD - ZAGŁĘBIENIA

**Farmet**

**8000789-30137**



| Pos. | Part Number | Pcs. |
|------|-------------|------|
| 2    | m09627      | 2    |
| 4    | m04761      | 3    |
| 6    | m07909      | 2    |
| 9    | m06533      | 1    |
| 11   | m07360      | 3    |
| 12   | m04668      | 3    |
| 14   | m11385      | 3    |
| 15   | m09036      | 1    |
| 16   | m05221      | 2    |
| 17   | m04310      | 4    |
| 18   | m03845      | 4    |



ⒸZ HYDRAULICKÝ ROZVOD - ZAHLUBOVÁNÍ

Ⓓ HYDRAULISCHE VERTEILUNG - EINSENKUNG

Ⓕ CONDUIT HYDRAULIQUE - L'ENFONCEMENT

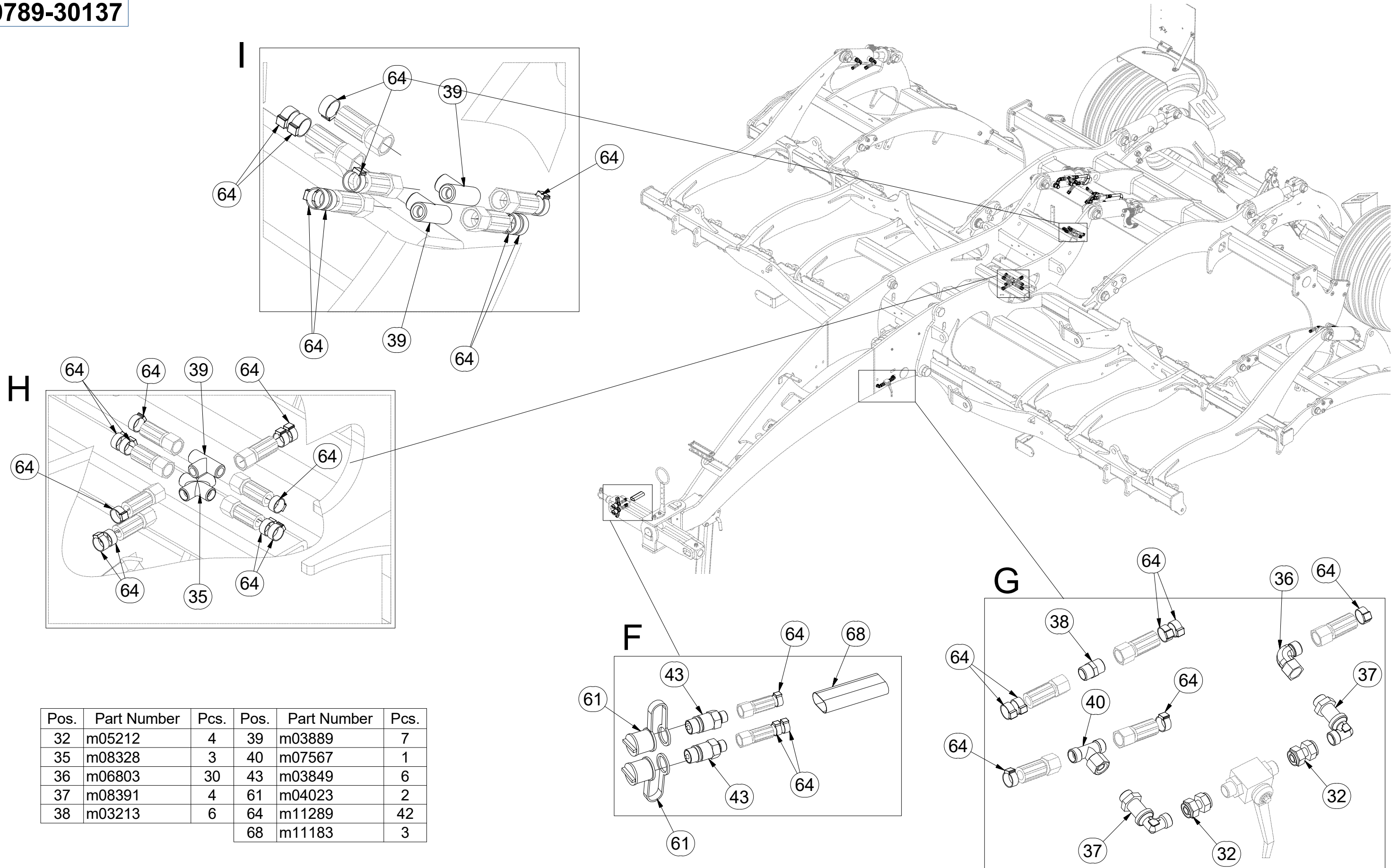
ⒸB HYDRAULIC DISTRIBUTION - RECESSING

ⒸU ГИДРАВЛИЧЕСКОЕ РАСПРЕДЕЛЕНИЕ - ЗАГЛУБЛЕНИЕ

ⒸL HYDRAULICZNY PRZEWÓD - ZAGŁĘBIENIA



**8000789-30137**



| Pos. | Part Number | Pcs. | Pos. | Part Number | Pcs. |
|------|-------------|------|------|-------------|------|
| 32   | m05212      | 4    | 39   | m03889      | 7    |
| 35   | m08328      | 3    | 40   | m07567      | 1    |
| 36   | m06803      | 30   | 43   | m03849      | 6    |
| 37   | m08391      | 4    | 61   | m04023      | 2    |
| 38   | m03213      | 6    | 64   | m11289      | 42   |
|      |             |      | 68   | m11183      | 3    |

ⒸZ HYDRAULICKÝ ROZVOD - ZAHLUBOVÁNÍ

Ⓓ HYDRAULISCHE VERTEILUNG - EINSENKUNG

Ⓕ CONDUIT HYDRAULIQUE - L'ENFONCEMENT

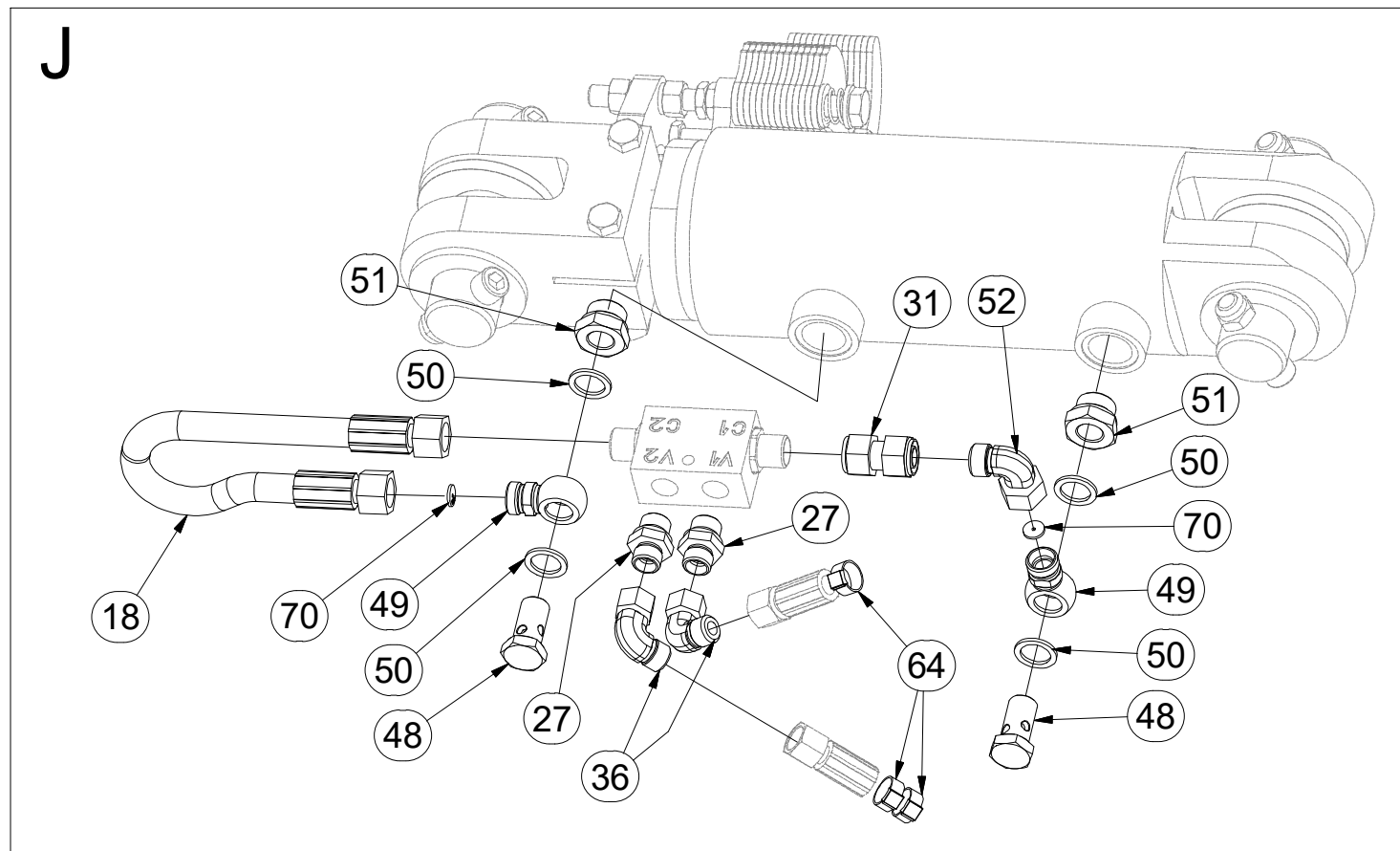
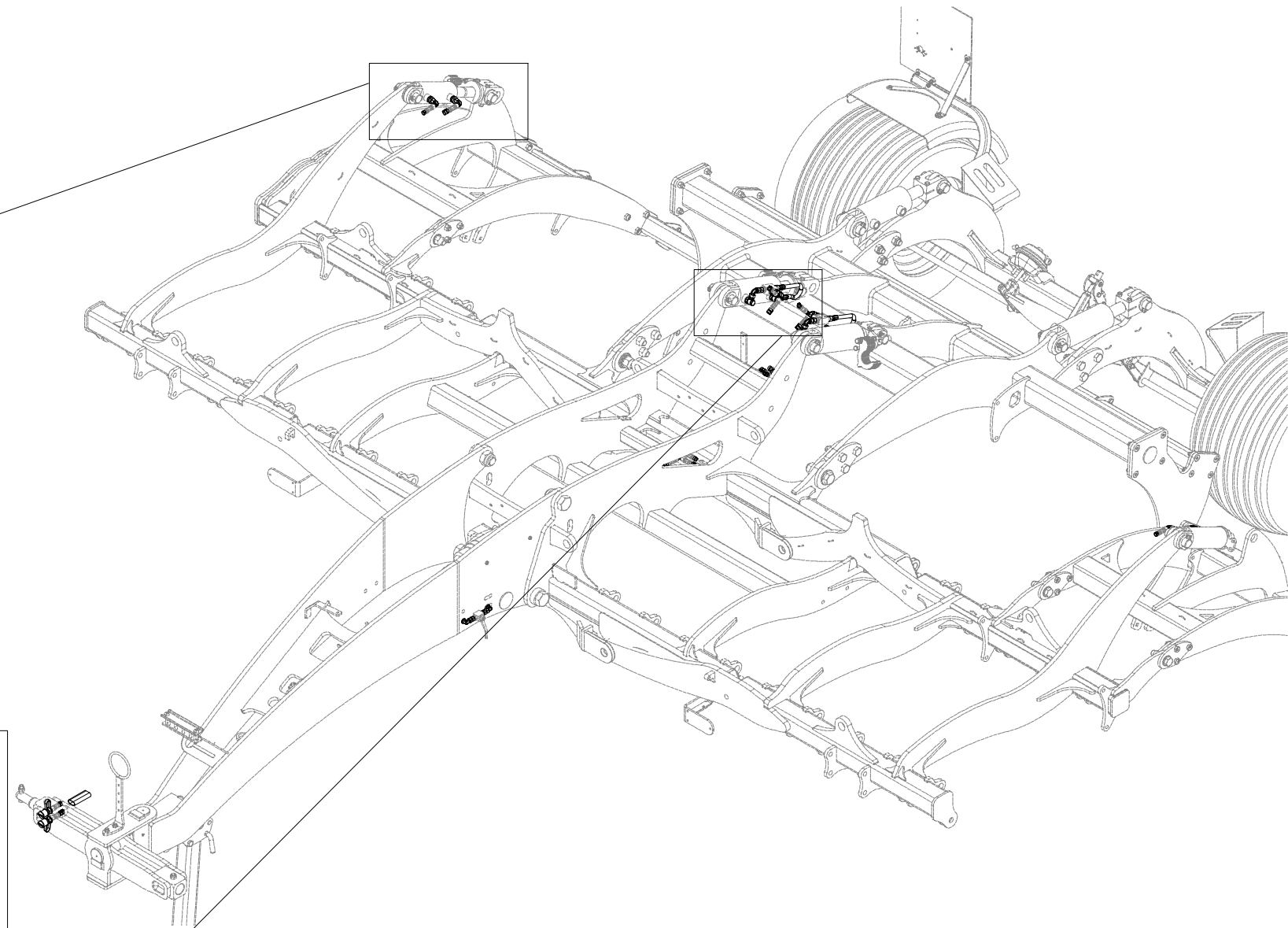
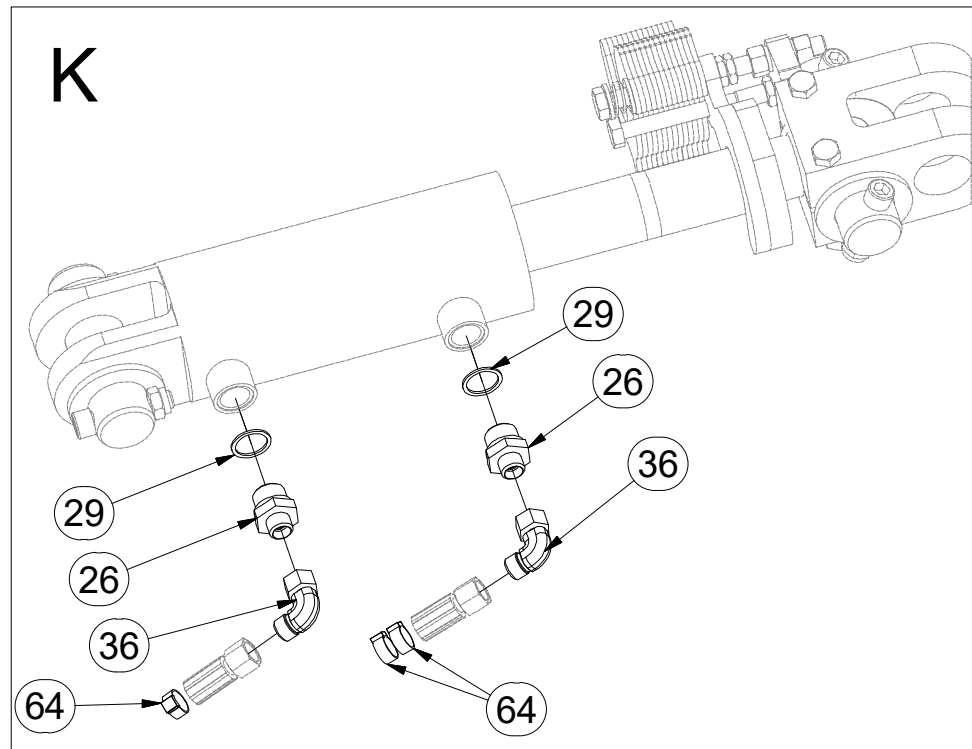
ⒸB HYDRAULIC DISTRIBUTION - RECESSING

ⒸU ГИДРАВЛИЧЕСКОЕ РАСПРЕДЕЛЕНИЕ - ЗАГЛУБЛЕНИЕ

ⒸL HYDRAULICZNY PRZEWÓD - ZAGŁĘBIENIA



**8000789-30137**



| Pos. | Part Number | Pcs. | Pos. | Part Number | Pcs. |
|------|-------------|------|------|-------------|------|
| 2    | m09627      | 2    | 36   | m06803      | 30   |
| 18   | m03845      | 4    | 48   | m08460      | 16   |
| 26   | m03925      | 4    | 49   | m08461      | 16   |
| 27   | m06528      | 20   | 50   | m12442      | 32   |
| 29   | m04223      | 4    | 51   | m08462      | 16   |
| 31   | m05144      | 4    | 52   | m07654      | 8    |
| 35   | m08328      | 3    | 64   | m11289      | 42   |
|      |             |      | 70   | m10762      | 8    |



Ⓒ HYDRAULICKÝ ROZVOD NÁPRAVY

Ⓓ HYDRAULISCHE VERTEILUNG ACHSE

Ⓕ CONDUIT HYDRAULIQUE DE L'ESSIEU

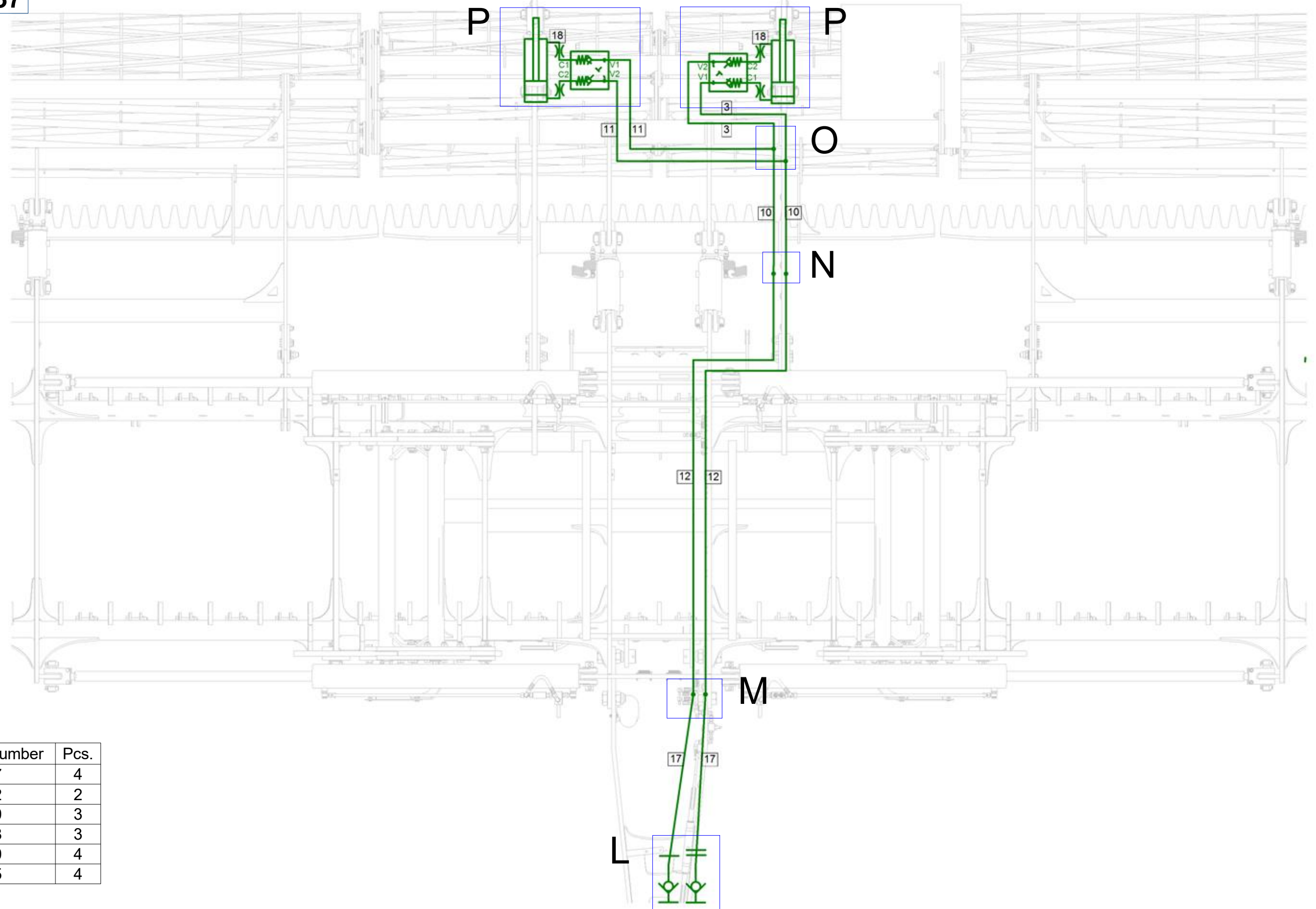
Ⓖ HYDRAULIC AXLE DISTRIBUTION

Ⓡ ГИДРАВЛИЧЕСКОЕ РАСПРЕДЕЛЕНИЕ ОСИ

Ⓟ HYDRAULICZNY PRZEWÓD OSI



**8000789-30137**



| Pos. | Part Number | Pcs. |
|------|-------------|------|
| 3    | m04827      | 4    |
| 10   | m03952      | 2    |
| 11   | m07360      | 3    |
| 12   | m04668      | 3    |
| 17   | m04310      | 4    |
| 18   | m03845      | 4    |

ⒸZ HYDRAULICKÝ ROZVOD NÁPRAVY

Ⓓ HYDRAULISCHE VERTEILUNG ACHSE

Ⓕ CONDUIT HYDRAULIQUE DE L'ESSIEU

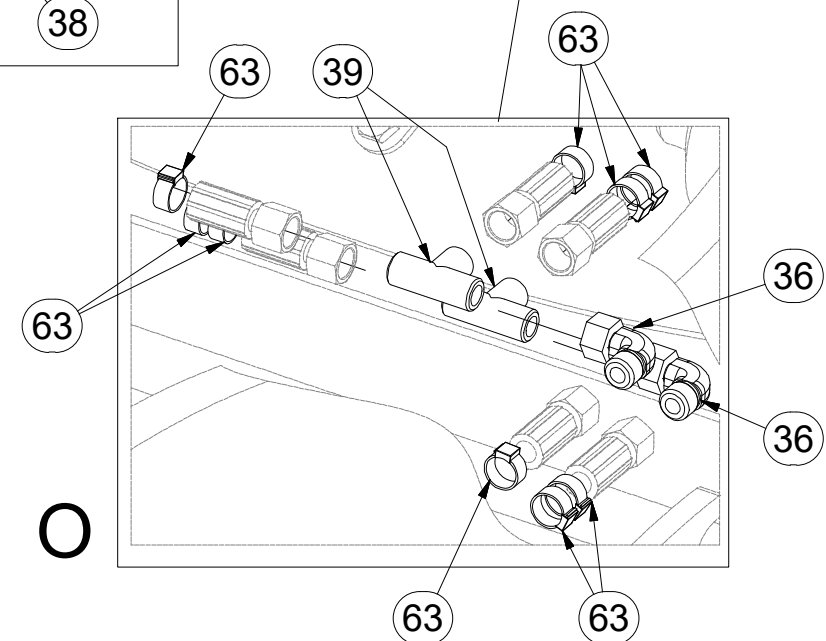
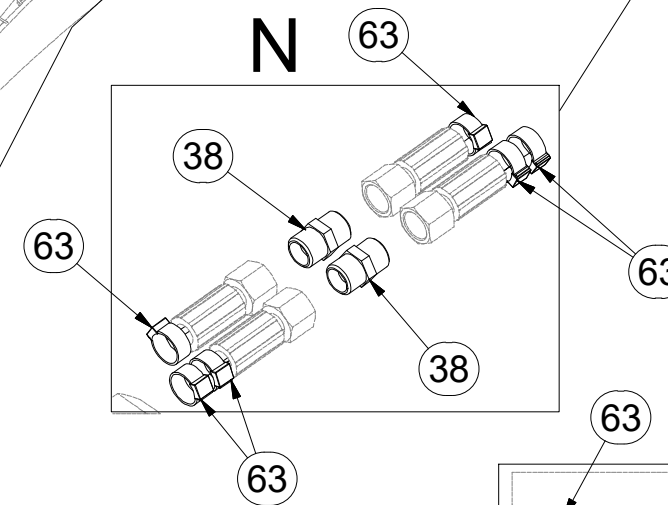
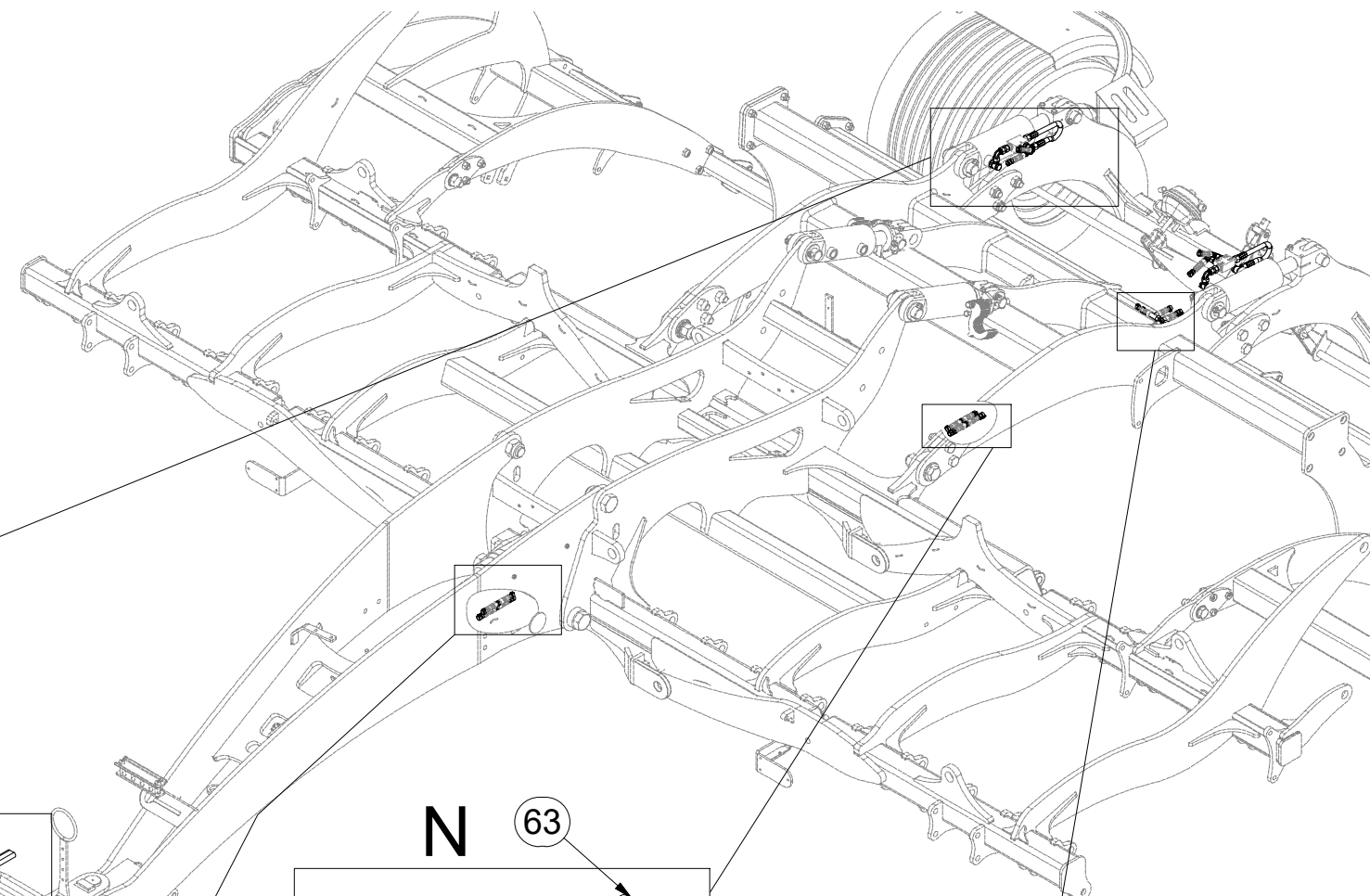
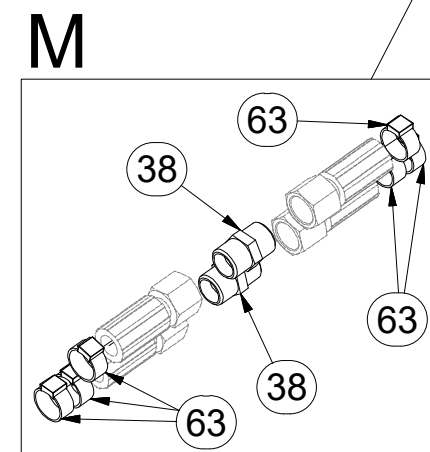
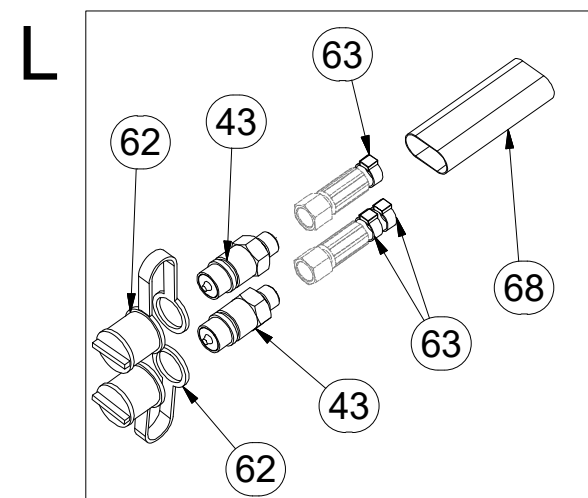
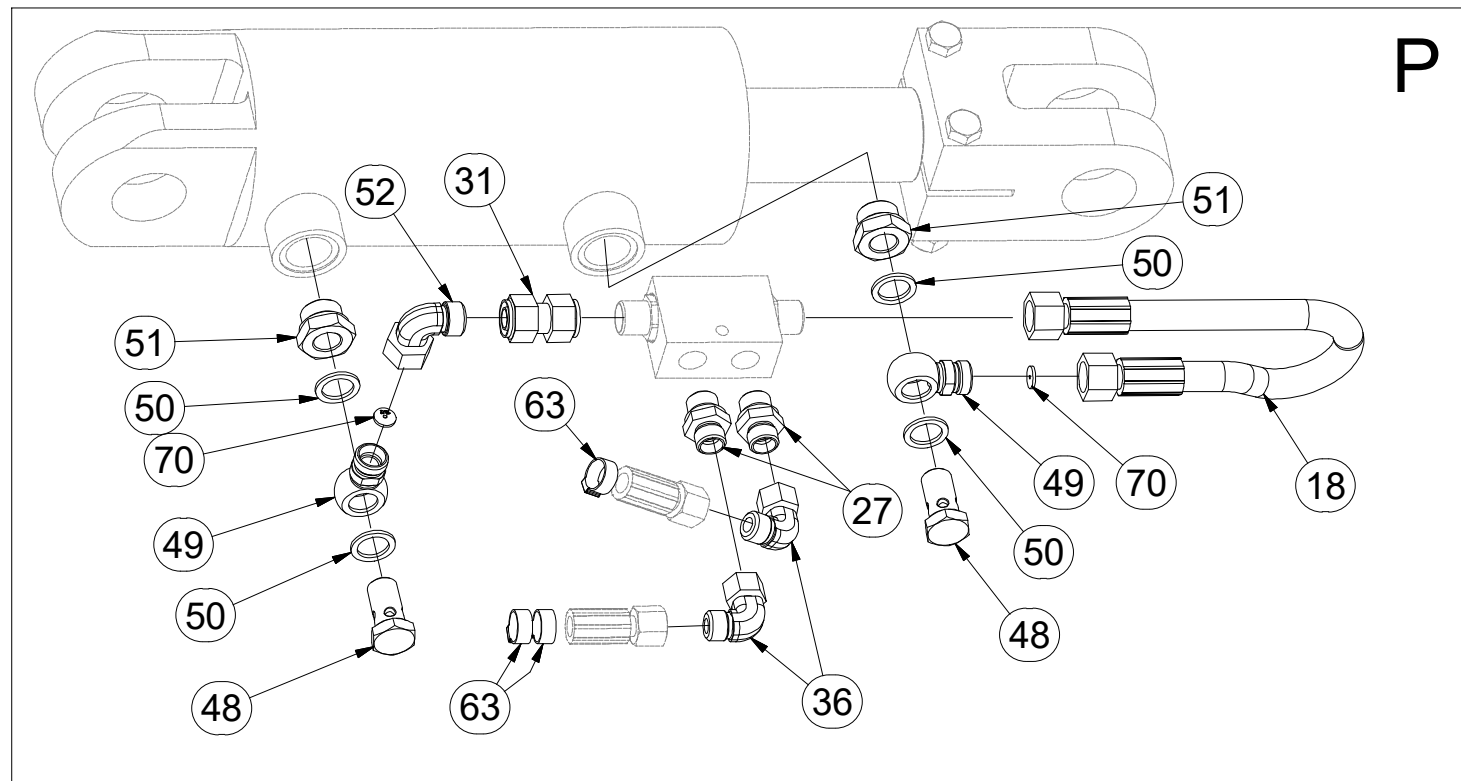
ⒼB HYDRAULIC AXLE DISTRIBUTION

Ⓔ RU ГИДРАВЛИЧЕСКОЕ РАСПРЕДЕЛЕНИЕ ОСИ

ⒼL HYDRAULICZNY PRZEWÓD OSI



**8000789-30137**



| Pos. | Part Number | Pcs. | Pos. | Part Number | Pcs. |
|------|-------------|------|------|-------------|------|
| 27   | m06528      | 20   | 50   | m12442      | 32   |
| 31   | m05144      | 4    | 51   | m08462      | 16   |
| 36   | m06803      | 30   | 52   | m07654      | 8    |
| 38   | m03213      | 6    | 62   | m04098      | 2    |
| 39   | m03889      | 7    | 63   | m11282      | 30   |
| 43   | m03849      | 6    | 68   | m11183      | 3    |
| 48   | m08460      | 16   | 70   | m10762      | 8    |
| 49   | m08461      | 16   | 18   | m03845      | 4    |



Ⓒ PÍSTNICE 100/50-100

Ⓓ KOLBENSTANGE 100/50-100

Ⓕ TIGE DE PISTON 100/50-100

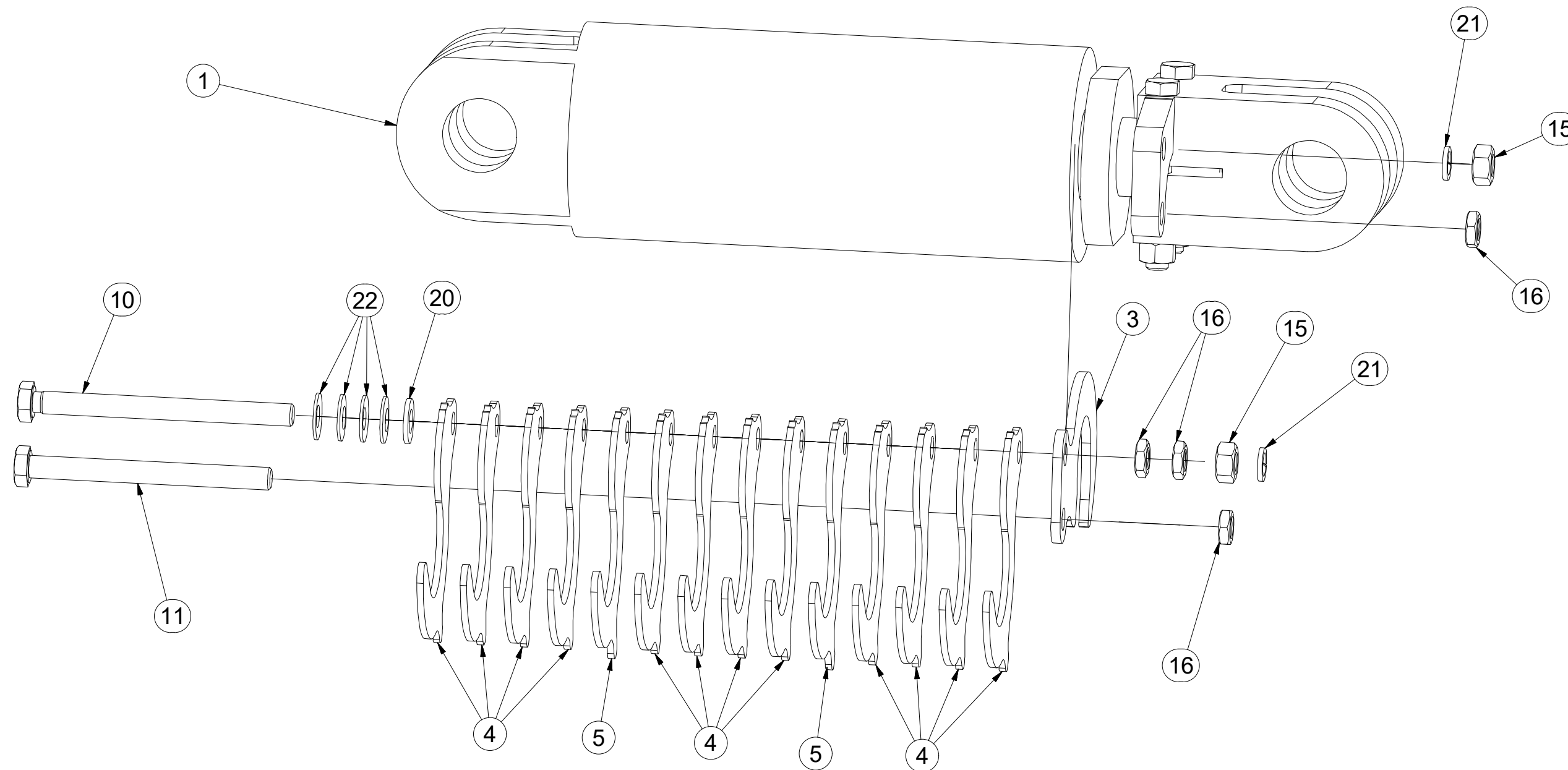
Ⓖ PISTON ROD 100/50-100

Ⓡ ЦИЛИНДР 100/50-100

Ⓟ TRZPIEŃ TŁOKA 100/50-100

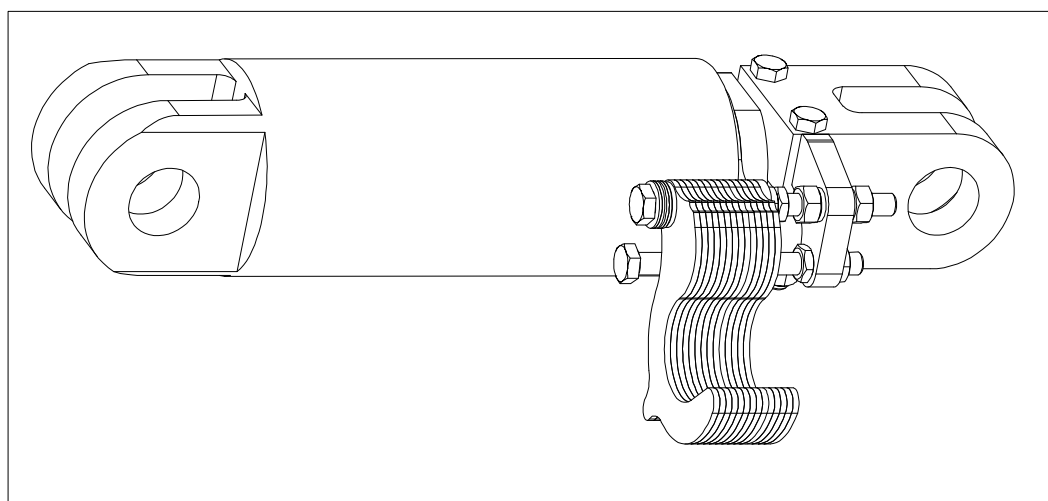


4020673

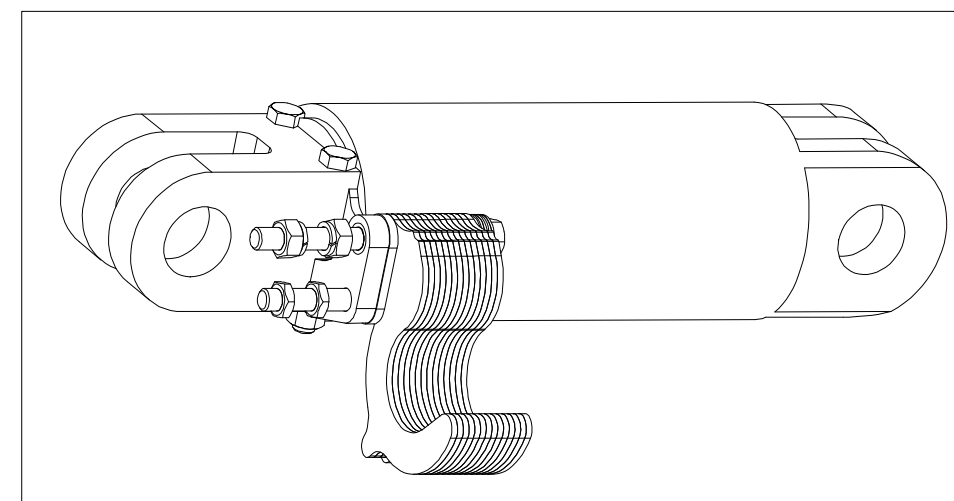


R

L



| Pos. | Part Number | Pcs. |
|------|-------------|------|
| 1    | m17337      | 1    |
| 3    | 4014330     | 1    |
| 4    | 4014347     | 12   |
| 5    | 4014348     | 2    |
| 10   | m16072      | 1    |
| 11   | m04981      | 1    |
| 15   | m01305      | 2    |
| 16   | m14233      | 4    |
| 20   | m01214      | 1    |
| 21   | m03988      | 2    |
| 22   | m17728      | 4    |



Ⓒ PÍSTNICE 80/45-100

Ⓓ KOLBENSTANGE 80/45-100

Ⓕ TIGE DE PISTON 80/45-100

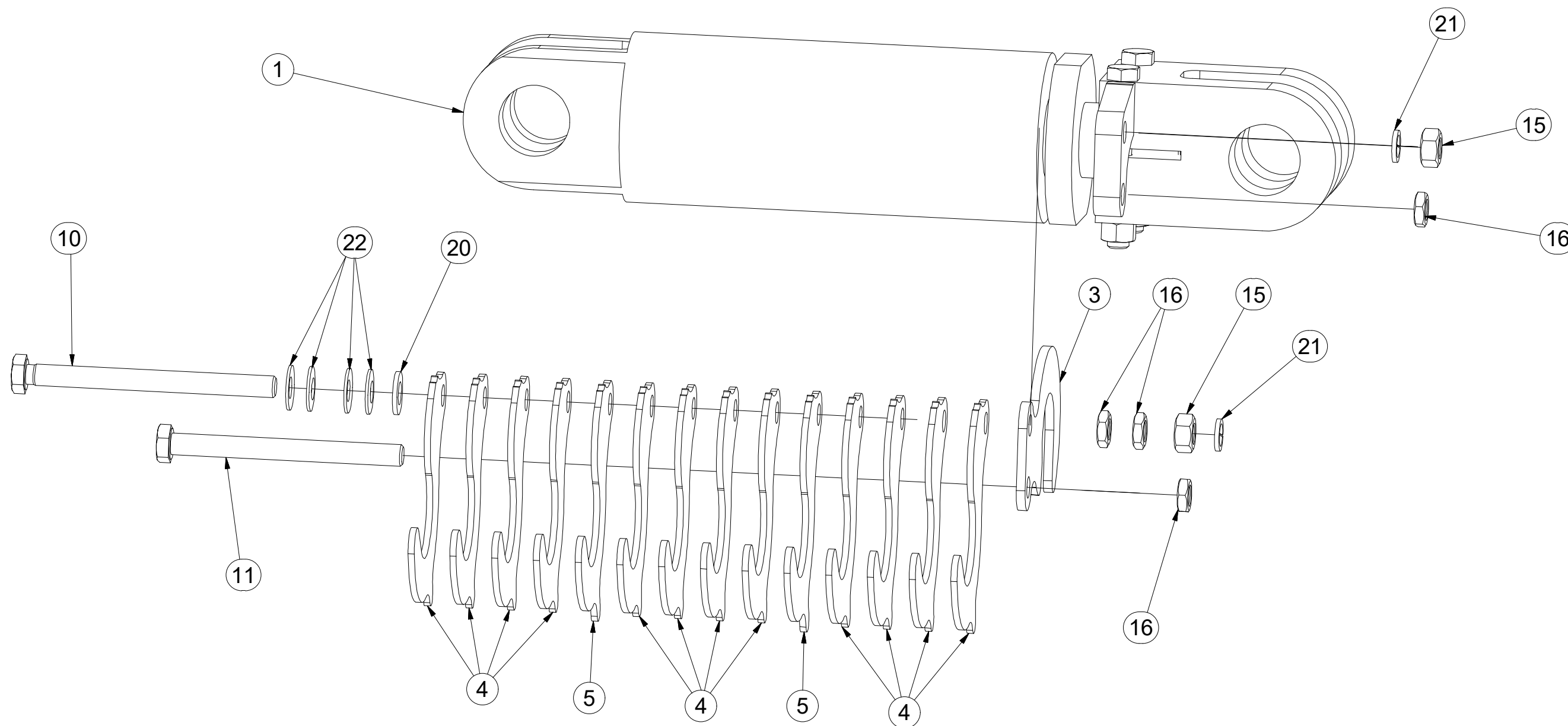
Ⓖ PISTON ROD 80/45-100

Ⓒ ЦИЛИНДР 80/45-100

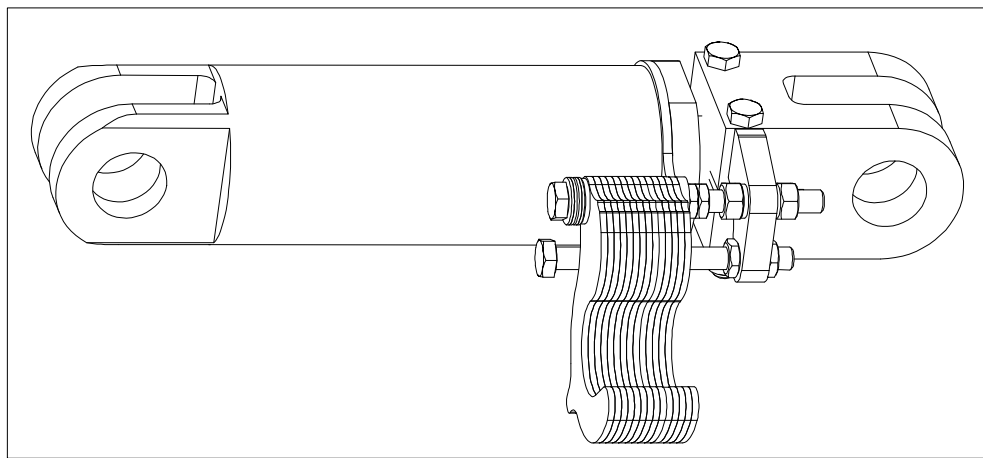
Ⓓ TRZPIEŃ TŁOKA 80/45-100



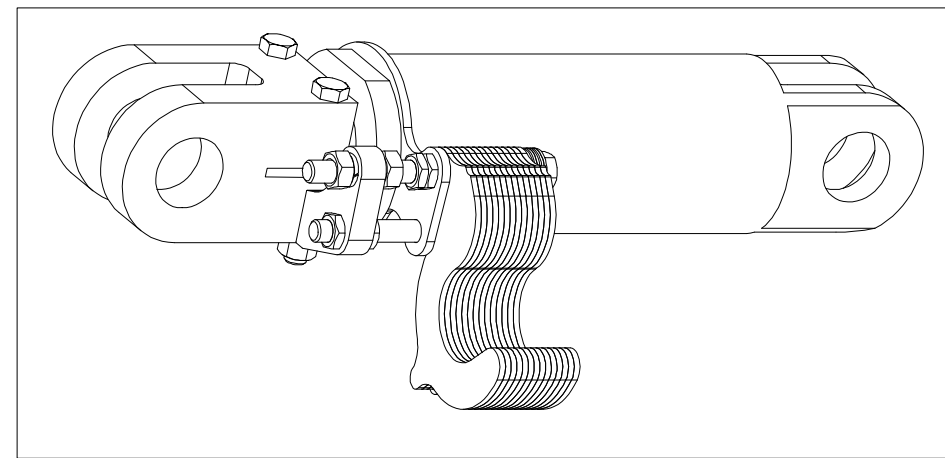
**4020669**



**R**



**L**



| Pos. | Part Number | Pcs. |
|------|-------------|------|
| 1    | m17338      | 1    |
| 3    | 4013785     | 1    |
| 4    | 4014350     | 12   |
| 5    | 4014351     | 2    |
| 10   | m16072      | 1    |
| 11   | m04981      | 1    |
| 15   | m01305      | 2    |
| 16   | m14233      | 4    |
| 20   | m01214      | 1    |
| 21   | m03988      | 2    |
| 22   | m17728      | 4    |

Ⓒ SOUPRAVA TĚSNIVA PÍSTNIC

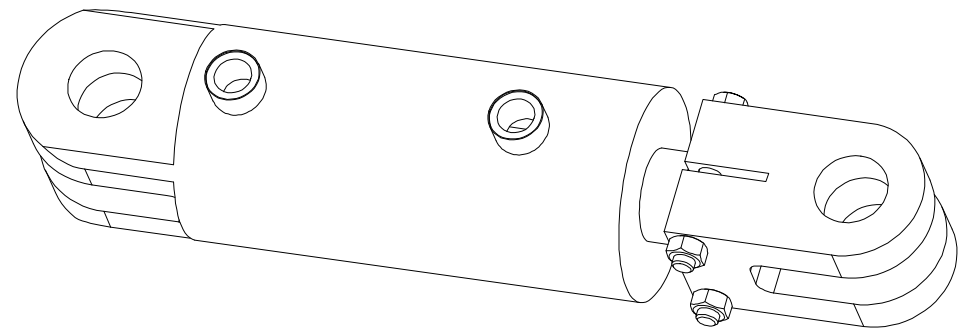
Ⓓ KOLBENSTANGENDICHTUNGSMITTELSATZ

Ⓕ SET DE GARNITURE DES TIGES DE PISTON

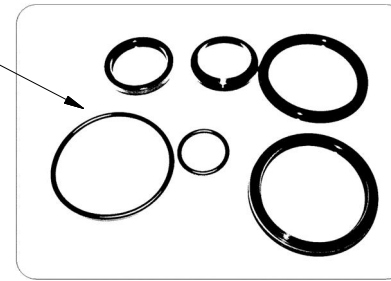
Ⓖ SEALING SET FOR PISTON RODS

Ⓡ КОМПЛЕКТ ПРОКЛАДОК ЦИЛИНДРОВ

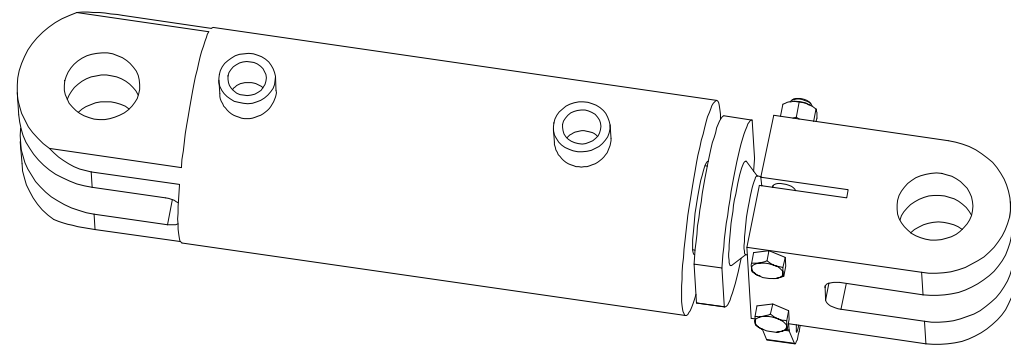
Ⓟ ZESTAW USZCZELEK TRZPIENIA TŁOKA



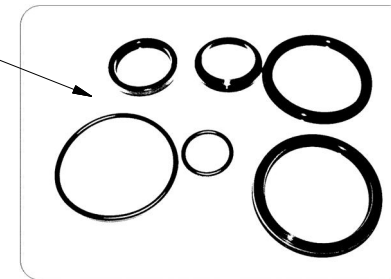
1



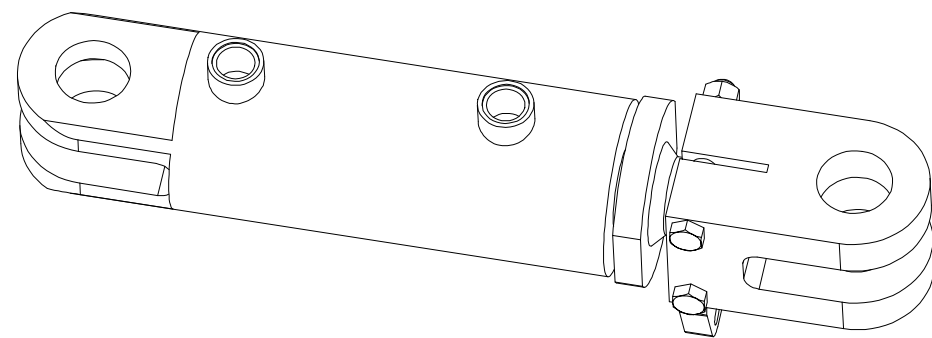
| m14954 - $\varnothing 100/\varnothing 50-100$ |             |     |
|---|-------------|-----|
| Pos   | Part number | Pcs |
| 1   | m15375      | 2   |



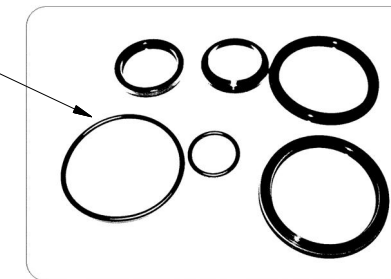
2



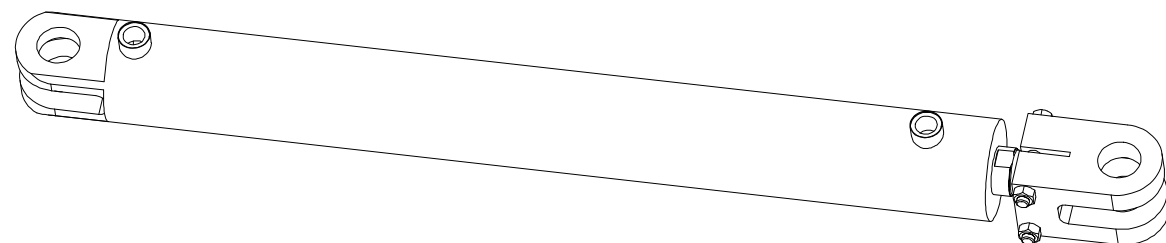
| m17337 - $\varnothing 100/\varnothing 50-100$ |             |     |
|---|-------------|-----|
| Pos   | Part number | Pcs |
| 2   | m15375      | 2   |



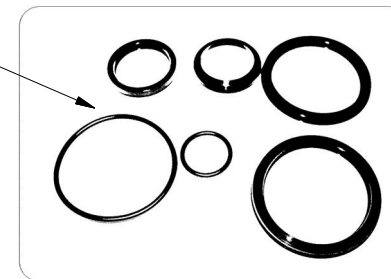
3



| m17338 - $\varnothing 80/\varnothing 45-100$ |             |     |
|--|-------------|-----|
| Pos  | Part number | Pcs |
| 3  | m15373      | 2   |



4



| m17339 - $\varnothing 80/\varnothing 45-700$ |             |     |
|--|-------------|-----|
| Pos  | Part number | Pcs |
| 4  | m15373      | 4   |

Ⓒ SVĚTELNÁ SADA

Ⓓ LEUCHTENSATZ

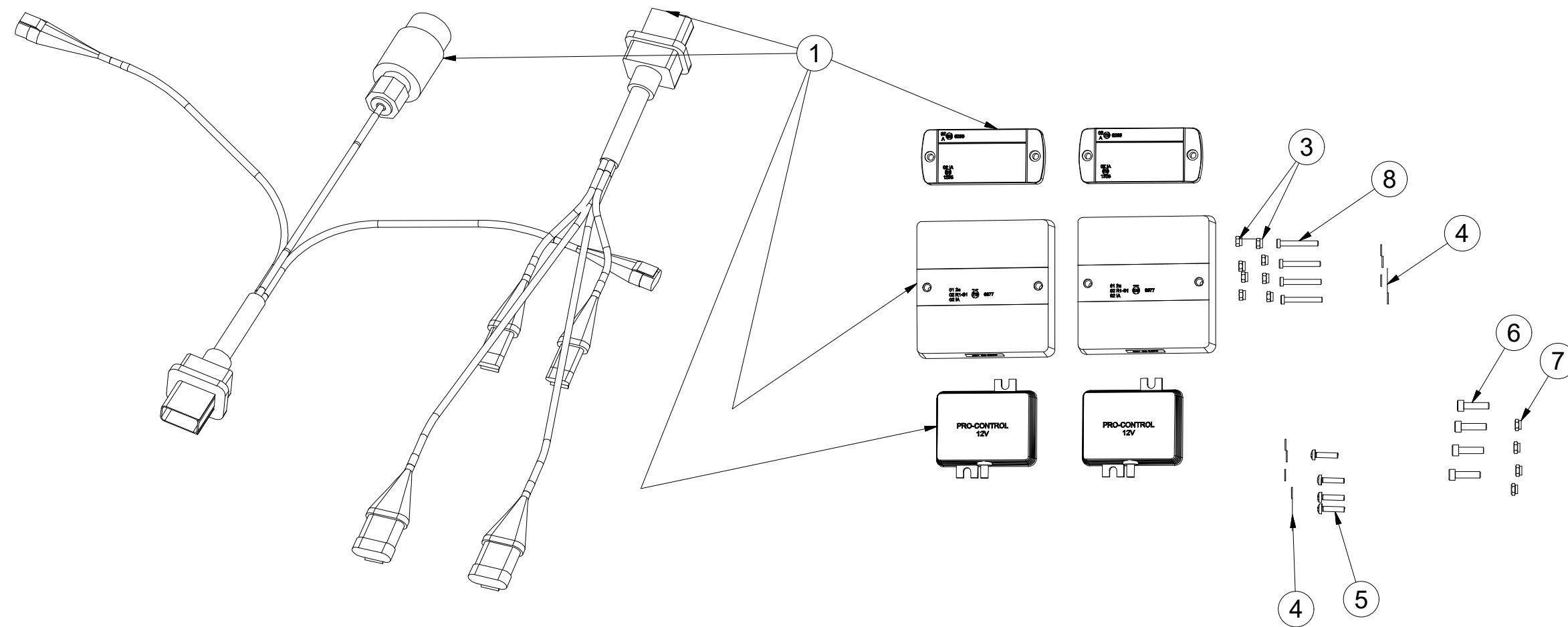
Ⓕ KIT LUMINEUX

**3008454**

Ⓖ LIGHTING SET

Ⓡ ОСВЕТИТЕЛЬНЫЙ КОМПЛЕКТ

Ⓟ ZESTAW OŚWIETLENIA



| Pos. | Part Number | Pcs. |
|------|-------------|------|
| 1    | m16768      | 1    |
| 3    | m05562      | 8    |
| 4    | m05597      | 8    |
| 5    | m15790      | 4    |
| 6    | m10591      | 4    |
| 7    | m06236      | 4    |
| 8    | m16861      | 4    |
| 30   | m05566      | 50   |



Ⓒ SVĚTELNÁ SADA

Ⓓ LEUCHTENSATZ

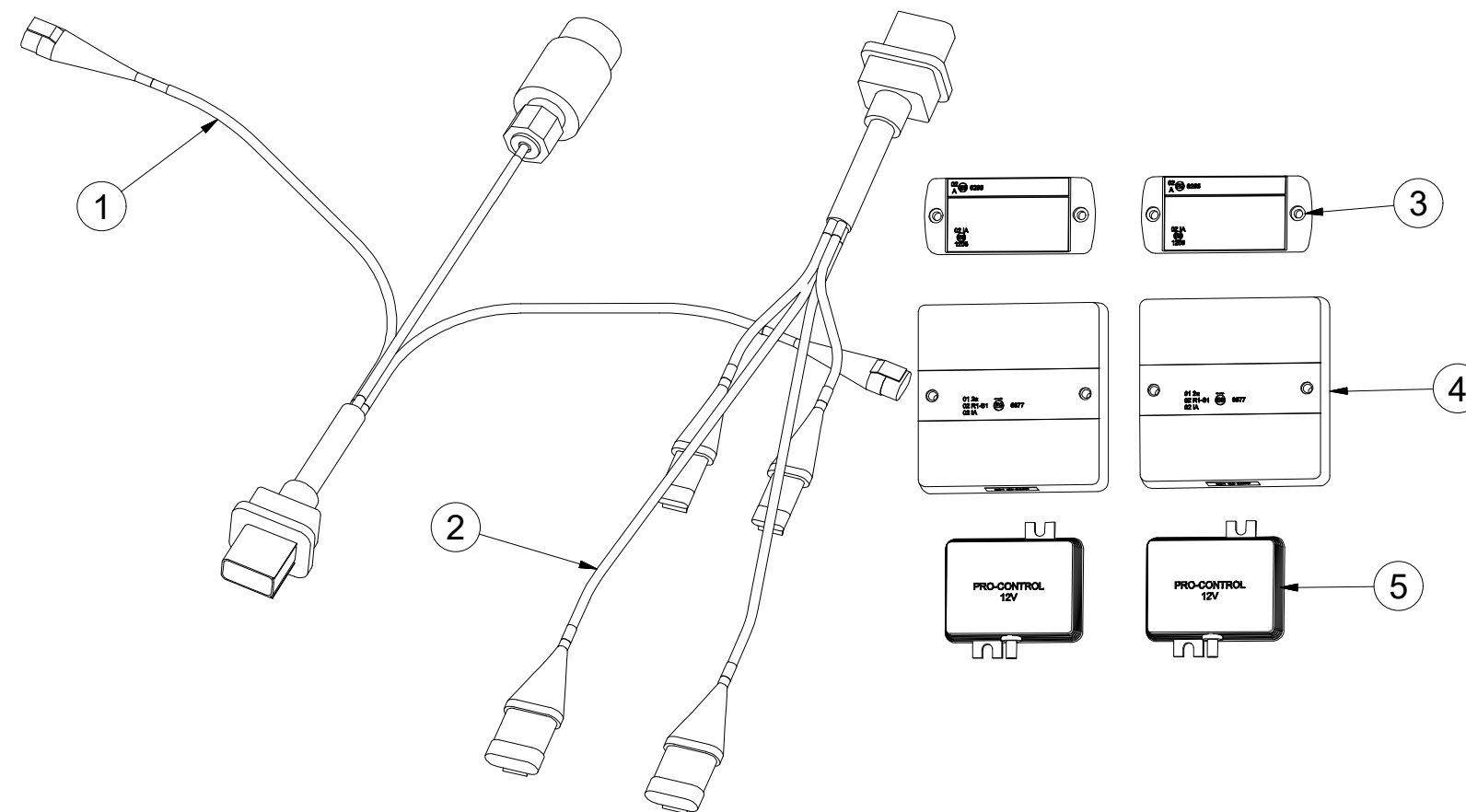
Ⓕ KIT LUMINEUX

**m16768**

Ⓖ LIGHTING SET

Ⓡ ОСВЕТИТЕЛЬНЫЙ КОМПЛЕКТ

Ⓟ ZESTAW OŚWIETLENIA



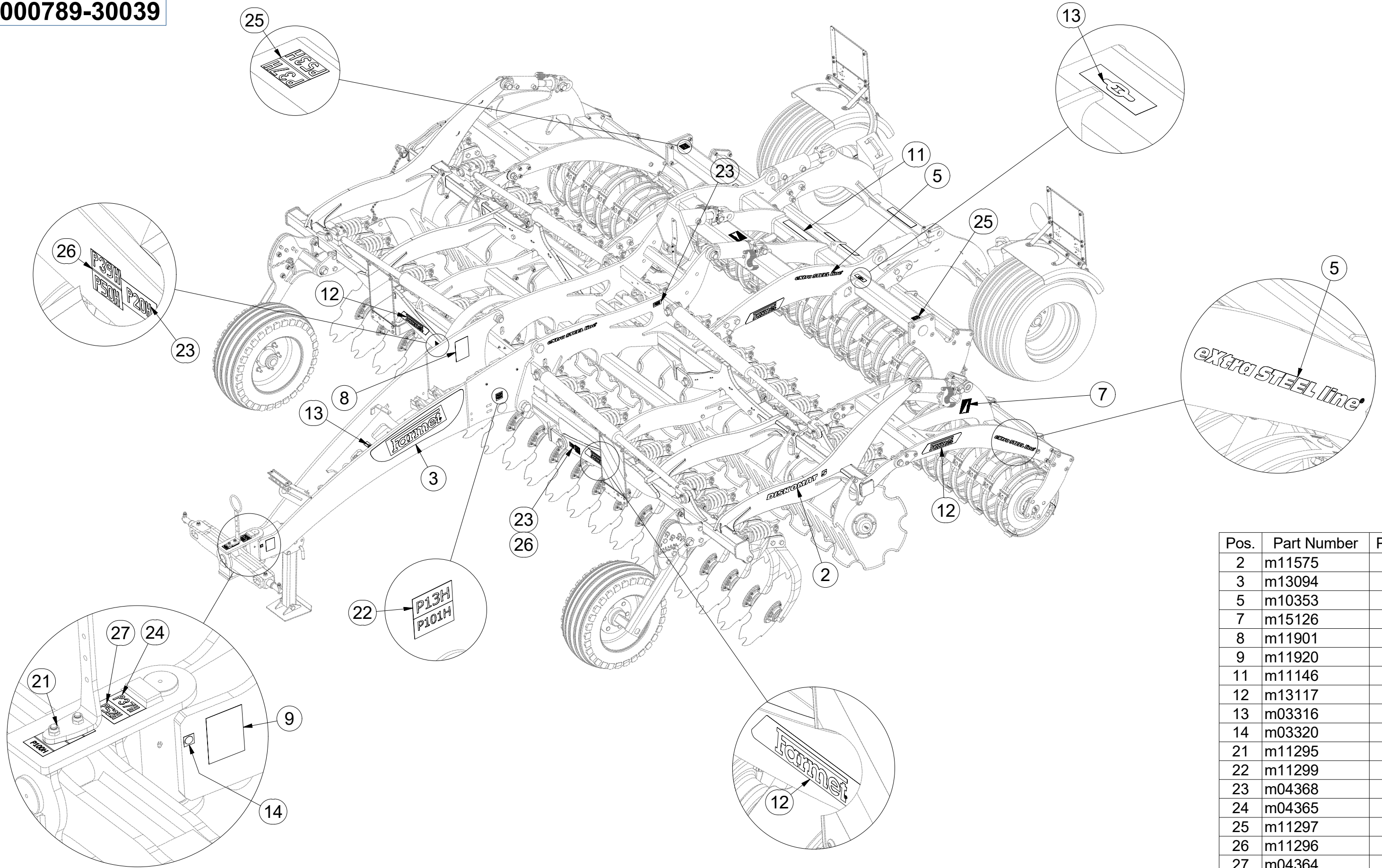
| Pos. | Part Number | Pcs. |
|------|-------------|------|
| 1    | m14779      | 1    |
| 2    | m14778      | 1    |
| 3    | m14776      | 2    |
| 4    | m16781      | 2    |
| 5    | m14777      | 2    |

CZ SAMOLEPKY STROJE  
 D AUFKLEBER MASCHINEN  
 F VOITURE MACHINES

GB STICKERS MACHINES  
 RU СТИКЕРЫ МАШИНЫ  
 PL NAKLEJKI MASZYNY



8000789-30039



| Pos. | Part Number | Pcs. |
|------|-------------|------|
| 2    | m11575      | 2    |
| 3    | m13094      | 1    |
| 5    | m10353      | 6    |
| 7    | m15126      | 3    |
| 8    | m11901      | 1    |
| 9    | m11920      | 1    |
| 11   | m11146      | 2    |
| 12   | m13117      | 9    |
| 13   | m03316      | 3    |
| 14   | m03320      | 1    |
| 21   | m11295      | 1    |
| 22   | m11299      | 1    |
| 23   | m04368      | 4    |
| 24   | m04365      | 1    |
| 25   | m11297      | 4    |
| 26   | m11296      | 2    |
| 27   | m04364      | 1    |

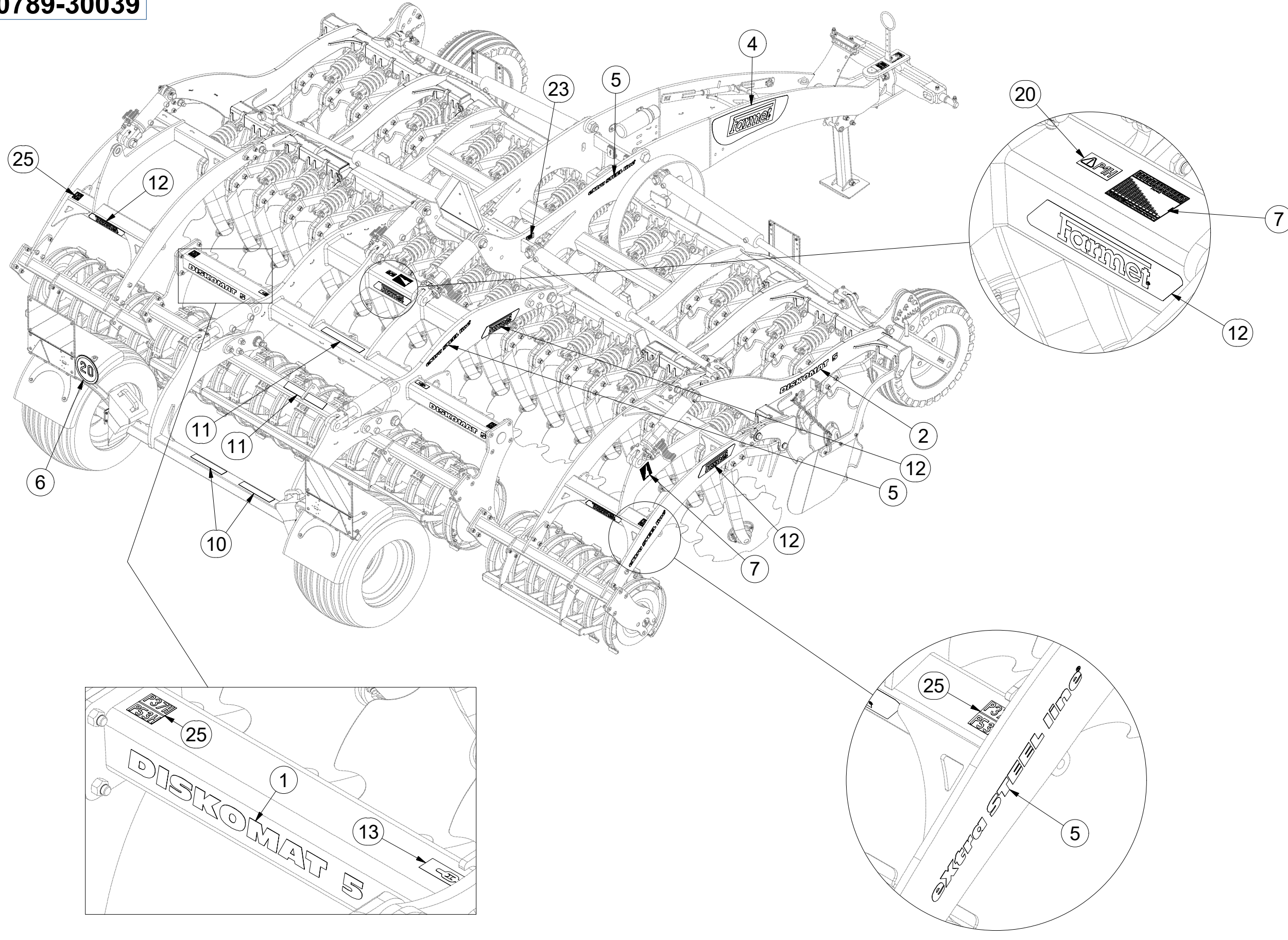


- Ⓒ SAMOLEPKY STROJE
- Ⓓ AUFKLEBER MASCHINEN
- Ⓕ VOITURE MACHINES

- Ⓖ STICKERS MACHINES
- Ⓔ СТИКЕРЫ МАШИНЫ
- Ⓗ NAKLEJKI MASZYNY



**8000789-30039**



| Pos. | Part Number | Pcs. |
|------|-------------|------|
| 1    | m11576      | 2    |
| 2    | m11575      | 2    |
| 4    | m13095      | 1    |
| 5    | m10353      | 6    |
| 6    | m04406      | 1    |
| 7    | m15126      | 3    |
| 11   | m11146      | 2    |
| 12   | m13117      | 9    |
| 13   | m03316      | 3    |
| 20   | m04359      | 1    |
| 23   | m04368      | 4    |
| 25   | m11297      | 4    |

- Ⓒ UTAHOVACÍ MOMENTY ŠROUBŮ  
 Ⓓ ANZUGMOMENTE VON SCHRAUBEN  
 Ⓕ COUPLES DE SERRAGE DES VIS

- Ⓖ SCREW TIGHTENING TORQUE  
 Ⓔ МОМЕНТЫ ЗАЖАТИЯ БОЛТОВ  
 Ⓗ MOMENTY DOKRĘCANIA ŚRUB



| P   |      | 5.8  | 8.8  | 10.9  | 12.9  |
|-----|------|------|------|-------|-------|
| D   | R    | Mu   | Mu   | Mu    | Mu    |
| mm  | mm   | Nm   | Nm   | Nm    | Nm    |
| M 6 | 1    | 6    | 9    | 13    | 15    |
| M 8 | 1,25 | 14   | 22   | 32    | 38    |
| M10 | 1,5  | 29   | 44   | 64    | 75    |
| M12 | 1,75 | 49   | 76   | 111   | 130   |
| M14 | 2    | 79   | 120  | 176   | 206   |
| M16 | 2    | 123  | 188  | 276   | 323   |
| M18 | 2,5  | 169  | 257  | 378   | 443   |
| M20 | 2,5  | 239  | 365  | 536   | 628   |
| M22 | 2,5  | 329  | 529  | 738   | 864   |
| M24 | 3    | 413  | 629  | 924   | 1082  |
| M27 | 3    | 613  | 934  | 1372  | 1606  |
| M30 | 3,5  | 832  | 1267 | 1862  | 2179  |
| M33 | 3,5  | 1130 | 1723 | 2530  | 2961  |
| M36 | 4    | 1451 | 2210 | 3246  | 3799  |
| M39 | 4    | 1885 | 2872 | 4217  | 4936  |
| M42 | 4,5  | 2322 | 3538 | 5196  | 6080  |
| M45 | 4,5  | 2909 | 4433 | 6511  | 7619  |
| M48 | 5    | 3513 | 5353 | 7862  | 9200  |
| M52 | 5    | 4524 | 6895 | 10126 | 11849 |
| M56 | 5,5  | 5636 | 8589 | 12614 | 14761 |

- Mu - Ⓒ UTAHOVACÍ MOMENT Ⓖ TIGHTENING TORQUE  
 Ⓓ ANZUGMOMENT Ⓔ МОМЕНТ ЗАЖАТИЯ  
 Ⓕ COUPLE DE SERRAGE Ⓗ MOMENT DOKRĘCANIA  
 D - Ⓒ JMENOVITÝ PRŮMĚR Ⓖ NOMINAL DIAMETER  
 Ⓓ NENNDURCHMESSER Ⓔ НОМИНАЛЬНЫЙ ДИАМЕТР  
 Ⓕ DIAMETRE NOMINAL Ⓗ ŚREDNICA NOMINALNA  
 R - Ⓒ ROZTEČ ZÁVITU - STOUPÁNÍ Ⓖ SCREW PITCH – LEAD  
 Ⓓ GEWINDESTEIGUNG Ⓔ ШАГ РЕЗЬБЫ  
 Ⓕ PAS DE FILET - PAS Ⓗ ROZSTAW GWINTU - SKOKI  
 P - Ⓒ PEVNOST Ⓖ STRENGTH  
 Ⓓ FESTIGKEIT Ⓔ ПРОЧНОСТЬ  
 Ⓕ RÉSISTANCE Ⓗ WYTRZYMAŁOŚĆ

- Ⓒ Šroubové spoje utahujte dle vyznačeného utahovacího momentu v dokumentaci. Pokud není utahovací moment v dokumentaci vyznačen, utahujte dle obecné tabulky. Pokud je v dokumentaci definován spoj ze šroubu a matice o různých pevnostech, vždy utahujte na moment komponenty s nižší pevností.
- Ⓓ Ziehen Sie die Schraubverbindungen gemäß dem in der Dokumentation festgeschriebenen Anzugsmoments an. Sofern das Anzugsmoment nicht in der Dokumentation aufgeführt ist, ziehen Sie sie gemäß der allgemeinen Tabelle an. Wenn in der Dokumentation eine Verbindung von Schraube und Mutter mit verschiedenen Festigkeiten definiert ist, wird immer mit dem Moment des Bauteils mit der geringeren Festigkeit angezogen.
- Ⓕ Serrez les raccords à vis selon le couple de serrage indiqué dans les documents. Si le couple de serrage n'est pas indiqué dans les documents, serrez selon le tableau général. Si les documents définissent un assemblage par boulon de diverses résistances, serrez toujours au moment de la composante avec résistance inférieure.
- Ⓖ Tighten the screw joints according to the tightening torque stated in the documentation. If the tightening torque is not stated in the documentation, tighten according to the general table. If there is a joint with a screw and a nut at different strengths in the documentation, always tighten to the torque of the component with lower strength.
- Ⓔ Резьбовые соединения зажимайте с установленным в документации моментом зажатия. Если в документации не указан момент зажатия, то зажимайте по действующей в общем таблице. Если в документации установлено соединение из болта и гайки различной прочности, всегда зажимайте с моментом для компонента с меньшей прочностью.
- Ⓗ Połączenia śrubowe należy dokręcać zgodnie z momentem obrotowym w dokumentacji. Jeśli w dokumentacji nie ma podanego momentu obrotowego, należy dokręcać zgodnie z ogólną tabelą. Jeśli w dokumentacji zdefiniowane jest połączenie ze śrubą i nakrętką o różnych wytrzymałościach, zawsze należy dokręcać zachowując moment dokręcania komponentu z niższą wytrzymałością.

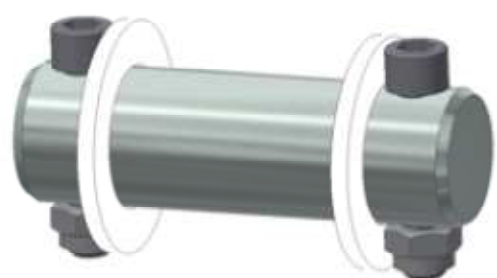


- Ⓒ UTAHOVACÍ MOMENTY ŠROUBŮ  
 Ⓓ ANZUGMOMENTE VON SCHRAUBEN  
 Ⓕ COUPLES DE SERRAGE DES VIS

- Ⓖ SCREW TIGHTENING TORQUE  
 Ⓔ МОМЕНТЫ ЗАЖАТИЯ БОЛТОВ  
 Ⓟ MOMENTY DOKRĘCANIA ŚRUB



- Ⓒ **OBECNÝ PŘEDPIS UTAHOVÁNÍ ZAJIŠTĚNÍ ČEPOVÝCH SPOJŮ:**  
 Ⓓ **ALLGEMEINE VORSCHRIFT FÜR DAS ANZIEHEN VON BOLZENVERBINDUNGEN:**  
 Ⓕ **CONSIGNE GENERALE POUR LE SERRAGE DES ARTICULATIONS CYLINDRIQUES:**  
 Ⓖ **GENERAL INSTRUCTION FOR TIGHTENING THE SECURING OF PIN JOINTS:**  
 Ⓔ **ОБЩЕЕ ОПИСАНИЕ ЗАЖАТИЯ ПРЕДОХРАНЕНИЯ СОЕДИНЕНИЙ ПАЛЬЦАМИ:**  
 Ⓟ **OGÓLNE ZASADY DOKRĘCANIA ZABEZPIECZENIA POŁĄCZEŃ CZOPEM:**



| X            | M       |
|--------------|---------|
| M8, M10, M12 | 09-15Nm |
| M14          | 15-25Nm |

- |                        |                  |                         |                         |
|------------------------|------------------|-------------------------|-------------------------|
| X - Ⓒ ROZMĚR ŠROUBU    | Ⓖ BOLT DIMENSION | M - Ⓒ ORIENTAČNÍ MOMENT | Ⓖ ORIENTATION TORQUE    |
| Ⓓ SCHRAUBENGRÖSSE      | Ⓔ РАЗМЕР БОЛТА   | Ⓓ ANZUGSMOMENT          | Ⓔ ОПИЕНТАЦИОННЫЙ МОМЕНТ |
| Ⓕ DIMENSIONS DE LA VIS | Ⓟ ROZMIAR ŚRUBY  | Ⓕ COUPLE D'ORIENTATION  | Ⓟ ORIENTACYJNY MOMENT   |

- Ⓒ Tyto spoje není nutné ověřovat kontrolou momentovým klíčem = stačí vizuálně kontrolovat sešroubování.  
 Ⓓ Diese Verbindungen müssen nicht mit einem Drehmomentschlüssel überprüft werden = es genügt, die Verschraubung visuell zu kontrollieren.  
 Ⓕ Il n'est pas nécessaire de contrôler le serrage à l'aide d'une clé dynamométrique = un contrôle visuel de l'assemblage suffit.  
 Ⓖ These joints do not have to be verified by checking with a torque wrench = visual inspection of bolting is sufficient.  
 Ⓔ Эти соединения не нужно контролировать динамометрическим ключом = достаточно визуально проверять прикручивание.  
 Ⓟ Nie trzeba sprawdzać tych połączeń kluczem dynamometrycznym = wystarczy wizualnie skontrolować dokręcenie.