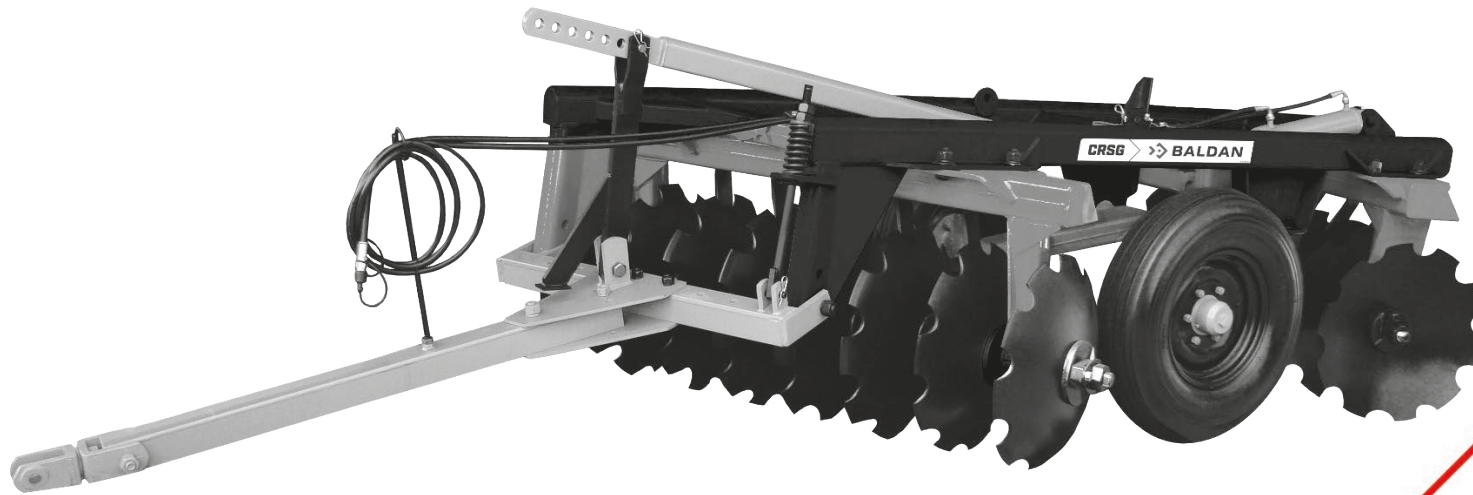


# Parts Catalog



## **CRSG** 32 to 48 Discs

Wheel Type OffSet Disc Harrow

## **CRSG-L**

Wheel Type OffSet Disc Harrow (Light)

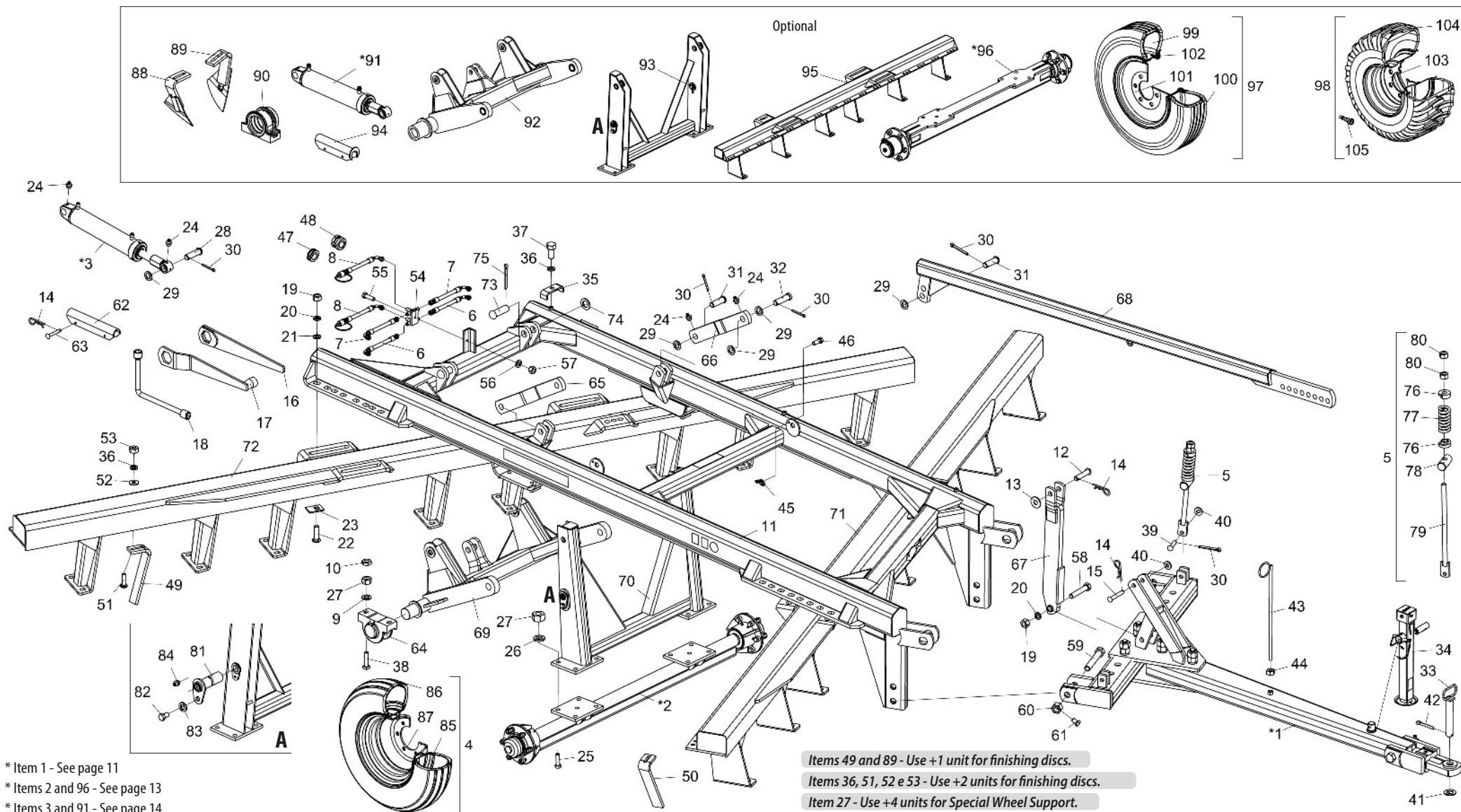
 **BALDAN**



## ▪ Index

<i>CRSG 32 to 48 Discs</i> .....	4
<i>Table CRSG 32 to 48 Discs</i> .....	5-6
<i>CRSG-L 18 to 24 Discs</i> .....	7
<i>Table CRSG-L 18 to 24 Discs</i> .....	8
<i>CRSG-L 28 to 32 Discs</i> .....	9
<i>Table CRSG-L 28 to 32 Discs</i> .....	10
<i>Hitch Drawbar CRSG 32 to 48 Discs</i> .....	11
<i>Hitch Drawbar CRSG-L 18 to 24 Discs</i> .....	11
<i>Hitch Drawbar CRSG-L 28 to 32 Discs</i> .....	12
<i>Wheel Articulation Shaft CRSG-L</i> .....	12
<i>Wheel Shaft CRSG 32 to 48 Discs</i> .....	13
<i>Wheel Shaft CRSG 32 to 48 Discs(Special Wheel Support)</i> .....	13
<i>Hydraulic Cylinder CRSG 32 to 48 Discs and CRSG-L</i> .....	14
<i>Discs Section CRSG 32 to 48 Discs</i> .....	15
<i>Discs Section CRSG-L 18 to 24 Discs</i> .....	16
<i>Discs Section CRSG-L 28 to 32 Discs</i> .....	17
<i>Radial Bearing (Grease) CRSG 32 to 48 Discs and CRSG-L</i> .....	18
<i>Axial Bearing (Óleo) CRSG 32 to 48 Discs and CRSG-L</i> .....	18
<i>Stickers</i> .....	19
<b>NUMERICAL INDEX</b> .....	<b>20-21</b>

## • CRSG 32 to 48 Discs



\* Item 1 - See page 11

\* Items 2 and 96 - See page 13

\* Items 3 and 91 - See page 14

## • Table CRSG 32 to 48 Discs

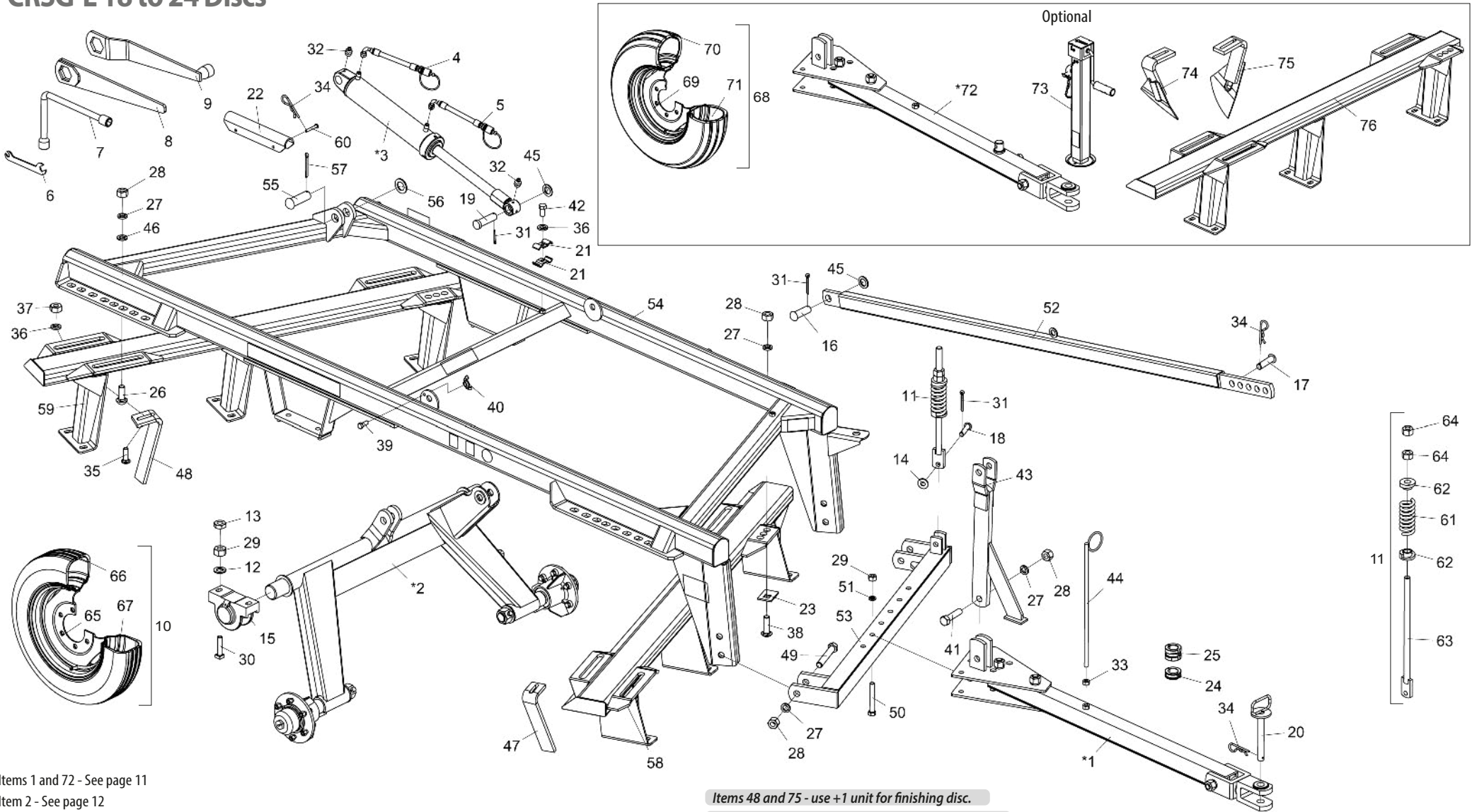
Item	Code	Product description	All						Item	Code	Product description	All					
				CRSG 32 Discs	CRSG 36 Discs	CRSG 40 Discs	CRSG 44 Discs	CRSG 48 Discs					CRSG 32 Discs	CRSG 36 Discs	CRSG 40 Discs	CRSG 44 Discs	CRSG 48 Discs
*1	5084040017-1	Complete Hitch Drawbar	1						38	6020310242-1	Square Head Bolt 3/4" X 3.1/2" 10F Unc1A Gr5 Rp	4					
*2	5232010945-0	Complete Wheel Shaft	1						39	5432120038-1	French Head Pin Ø3/4" X 75Mm	2					
*3	6020055687-1	Hydraulic Cylinder "O.D" Ø1.5/8" X Ø3.1/2" X 358Mm(Course) X 689Mm(Closed)	2						40	5024010007-7	Smooth Washer Ø20,3 X Ø46,5 X 4,75Mm	2					
4	5498100008-3	Complete Wheel 750 X 16 X 10 Ply (Offset 122,8Mm)	4						41	5024010130-8	Smooth Washer Ø39 X Ø66 X 4,75Mm(Galvanised)	1					
5	5566010002-3	Complete Stabilizer Rod(540Mm)	2						42	6020050122-8	Cotterpin 3/8" X 2.1/2"	1					
6	6020250681-2	High Pressure Hydraulic Hose 3/8" X 800Mm With 1Tcg And 1Trg	2						43	5530060020-3	Hoses Support(Hydraulic Opening)	1					
7	6020250943-9	High Pressure Hydraulic Hose 3/8" X 500Mm With 1Tcg And 1Trg	2						44	6020310760-1	Hexagonal Nut 5/8" 11F Unc Gr5 Ch.1.1/16" Height 15,00Mm	1					
8	5372011088-8	Hose Ø3/8" X 8000Mm With 1Tcg And 1TrfWith Male Quickly Coupling	2						45	6020030104-0	Nut Ø3/8" 16F Unc	2					
9	6020010513-6	Smooth Washer Ø20 x Ø35 x 3mm	4						46	6020310054-2	Hexagonal Head Bolt 3/8" X 1" 16F Unc1A Gr2 Rt	2					
10	6020310784-9	Hexagonal Nut 3/4" 10F UNC Gr5 Ch.1.1/4" Alt.11mm	4						47	5348050006-3	Complete Limiter Of Ø42 X 25Mm		2	2	2	1	2
11	5404010356-5	Complete Front/Rear Gangs Of Main Frame	1						48	5348050009-8	Complete Limiter Of Ø42 X 49,5Mm		2	2	2	1	2
12	5432120021-7	French Head Pin Ø1" X 105Mm	1						49	5352050040-1	Rear Scraper (2.1/2" X 5/8" With Slotted Hole)		10	12	12	14	16
13	5024010634-2	Smooth Washer Ø26,8 X Ø66,5 X 4,75Mm	2						50	5352050039-8	Front Scraper (2.1/2" X 5/8" With Slotted Hole)		10	12	12	14	16
14	6020390308-4	Lock Nma - Type "R" Ø4,5 X 80Mm	6						51	6020310144-1	French Head Bolt 1/2" X 2" 12FW Gr2 Rp Special		40	48	48	56	64
15	5432120012-8	French Head Pin Ø3/4" X 110Mm	1						51	6020310144-1	French Head Bolt 1/2" X 2" 12FW Gr2 Rp Special		64	72	80	88	96
16	5138010019-7	Wrench For Nut De 1.5/8"	1						52	5024010068-9	Smooth Washer Ø13,3 X Ø35,5 X 3,00Mm		40	48	48	56	64
17	5138010007-3	Wrench For Hexagonal Nut 1.5/8" E 1"	1						52	5024010068-9	Smooth Washer Ø13,3 X Ø35,5 X 3,00Mm		64	72	80	88	96
18	5138050016-0	Wrench "L" For Hexagonal Nut 5/8" - 3/4"	1						53	6020310754-7	Hexagonal Nut 1/2" 12F W Gr5 Ch.7/8" Height 12,00Mm		40	48	48	56	64
19	6020310778-4	Hexagonal Nut 1" 8F Unc Gr5 Ch.1.5/8" Height 25,00Mm	11						53	6020310754-7	Hexagonal Nut 1/2" 12F W Gr5 Ch.7/8" Height 12,00Mm		64	72	80	88	96
20	6020010420-2	Pressure Washer 1" Media Industry	9						54	5224030018-4	Oil Distributor	1					
21	5024010039-5	Smooth Washer Ø26,2 X Ø44 X 4,75Mm	7						55	6020310026-7	Hexagonal Head Bolt 3/8" X 1.1/4" 16F Unc1A Gr5 Rt	1					
22	6020311196-0	French Head Bolt 1" X 3.1/2" 8F Unc1A Gr5 Rp	8						56	6020010406-7	Pressure Washer 3/8" Media Industry	1					
23	5558210003-8	Bolt Lock	8						57	6020310746-6	Hexagonal Nut 3/8" 16F Unc Gr5 Ch.9/16" Height 8,50Mm	1					
24	6020130108-7	Grease Fitting 1/8"	8						58	6020311136-6	Hexagonal Head Bolt 1" X 5.1/2" 8F Unc1A Gr5 Rp	1					
25	6020311114-5	Hexagonal Head Bolt 3/4" X 2.3/4" 10F Unc1A Gr5 Rp	8						59	6020310248-0	Hexagonal Head Bolt 1.1/4" X 8" 7F Unc1A Gr5 Rp	2					
26	6020010414-8	Pressure Washer 3/4" Media Industry	8						60	5456010022-4	Hexagonal Nut 1.1/4" 7F Unc Gr5 Key.2" Height.31,00Mm With Hole R.3/8"	2					
27	6020310770-9	Hexagonal Nut 3/4" 10F Unc Gr5 Ch.1.7/32" Height 18,50Mm	8						61	6020311030-0	Hexagonal Head Bolt 3/8" X 5/8" 16F Unc1A Gr2 Rt	2					
28	5432120090-0	French Head Pin Ø30,53 X 97Mm	2						62	5558040009-3	Piston Lock Of 360Mm	2					
29	5024010061-1	Smooth Washer Ø33,5 X Ø53,5 X 4,75Mm	9						63	6020310421-1	French Head Pin Ø9,8 X 61Mm	4					
30	6020050116-3	Cotterpin 1/4" X 2"	9						64	5204010537-9	Articulation Shaft Hub Of Tires	2					
31	5432120025-0	French Head Pin Ø30,53 X 85Mm	3						65	5040120528-1	Support Right Bar 76 X 570Mm X 1"	1					
32	5432030133-8	Pin Ø30,53 X 98Mm	2						66	5040010237-3	Support Left Bar 76" X 1" X 570Mm	1					
33	5432040027-1	Square Head Pin Ø37,3 X 220Mm With Handle	1						67	5530140006-2	Support Of Stabilizer Bar	1					
34	6020370264-0	Complete Support Of Lifting (Hydraulic Field Jack)	1						68	5040030016-7	Stabilizer Bar	1					
35	5460040002-1	Clamp "U" 26 X 95 X 6,4	3						69	5232040023-6	Articulation Wheel Shaft	1					
36	6020010410-5	Pressure Washer 1/2" Media Industry		43	51	51	59	67	70	5530540014-8	Articulation Shaft Support	1					
36	6020010410-5	Pressure Washer 1/2" Media Industry		67	75	83	91	99	71	5022090451-0	Complete Front Gang Cmsg-32 Discs		1				
37	6020311045-9	Hexagonal Head Bolt 1/2" X 1" 12F W Gr5 Rt Without Point	3						71	5022090453-6	Front Gang Cmsg-36 Discs			1			

## • Table CRSG 32 to 48 Discs

Item	Code	Product description	All					
				CRSG 32 Discs	CRSG 36 Discs	CRSG 40 Discs	CRSG 44 Discs	CRSG 48 Discs
71	5022090455-2	Front Gang Crsg-40 Discs Crsg				1		
71	5022090447-1	Complete Front Gang Crsg-44 Discs					1	
71	5022090457-9	Complete Front Gang						1
72	5022010560-9	Complete Rear Gang	1					
72	5022010561-7	Complete Rear Gang		1				
72	5022010563-3	Complete Rear Gang			1			
72	5022010562-5	Complete Rear Gang					1	
72	5022010570-6	Complete Rear Gang						1
73	5432120044-6	French Head Pin Ø37,50 X 104Mm Gr3	2					
74	5024010232-0	Smooth Washer Ø39,8 X Ø66,5 X 4,75Mm	2					
75	6020050118-0	Cotterpin 1/4" X 2.1/2"	2					
76	6010600463-6	Spring Bushing	4					
77	6020250293-0	Helical Spring Ø43 X Ø67 X 157Mm	2					
78	5324020001-1	Guide 049 X 110Mm	2					
79	5566080078-5	Rod Of Ø1" X 565Mm	2					
80	6020310778-4	Hexagonal Nut 1" 8F Unc Gr5 Ch.1.5/8" Height 25,00Mm	4					
81	5432080016-4	Lock Pin Ø37,5 X 110Mm Without Grease Fitting	2					
82	6020310183-2	Hexagonal Head Bolt 5/8" X 1" 11F Unc1A Gr2 Rt	2					
83	6020010412-1	Pressure Washer 5/8" Media Industry	2					
84	6020130108-7	Grease Fitting 1/8"	2					
85	6020050356-5	Inner Tube 750X16	4					
86	6020310406-8	Tyre 750 X 16 X 10 Ply	4					
87	6020350954-8	Rim Ag 5° 5,5" X 16" Offset 122,8Mm	4					
Optional								
88	5352050049-5	Front Scraper		10	12	12	14	16
88	5352050049-5	Front Scraper		16	18	20	22	24
89	5352050048-7	Rear Scraper		10	12	12	14	16
89	5352050048-7	Rear Scraper		16	18	20	22	24
90	5204030007-4	Articulation Shaft Hub Of Tires	2					
91	6020055697-9	Hydraulic Cylinder "O.D" Ø1.5/8" X Ø3.1/2" X 330Mm(Course) X 670Mm(Closed)	2					
92	5232040074-0	Articulation Wheel Shaft	1					
93	5530540015-6	Articulation Shaft Support	1					
94	5558010248-3	Piston Lock Of 280Mm	2					
95	5022090452-8	Complete Rear Gang Crsg-32 Discs		1				
95	5022090454-4	Rear Gang Crsg-36 Discs			1			
95	5022090456-0	Rear Gang Crsg-40 Discs				1		
95	5022090448-0	Complete Rear Gang Crsg-44 Discs						1

Item	Code	Product description	All					
				CRSG 32 Discs	CRSG 36 Discs	CRSG 40 Discs	CRSG 44 Discs	CRSG 48 Discs
95	5022090458-7	Complete Rear Gang						1
96	5232011924-3	Complete Wheel Shaft(Bitola De 1858Mm)	1					
97	5498100028-8	Complete Wheel 900 X 20 X 14 Ply (New Tyre)	2					
97	5498100029-6	Complete Wheel 900 X 20 (Retreaded Tyle)	2					
98	5498100070-9	Complete Wheel 400X60 14 Ply	2					
99	6020050359-0	Inner Tube 900X20	2					
100	6020310409-2	Tyre 900X20-14 Ply	2					
100	6020310407-6	Tyre 900 X 20 (Retreading Tyres)	2					
101	6020310420-3	Protection For Inner Tube 900X20	2					
102	6020350419-8	Rim 7,00 X 20Mm	2					
103	6020010817-8	Rim Ag 13,00 X 15.1/2"	2					
104	6020310415-7	Tyre 400/60 15.5/14 Traction	2					
105	6020410040-6	Valve Tr-618 A	2					

• **CRSG-L 18 to 24 Discs**



\* Items 1 and 72 - See page 11  
 \* Item 2 - See page 12  
 \* Item 3 - See page 14

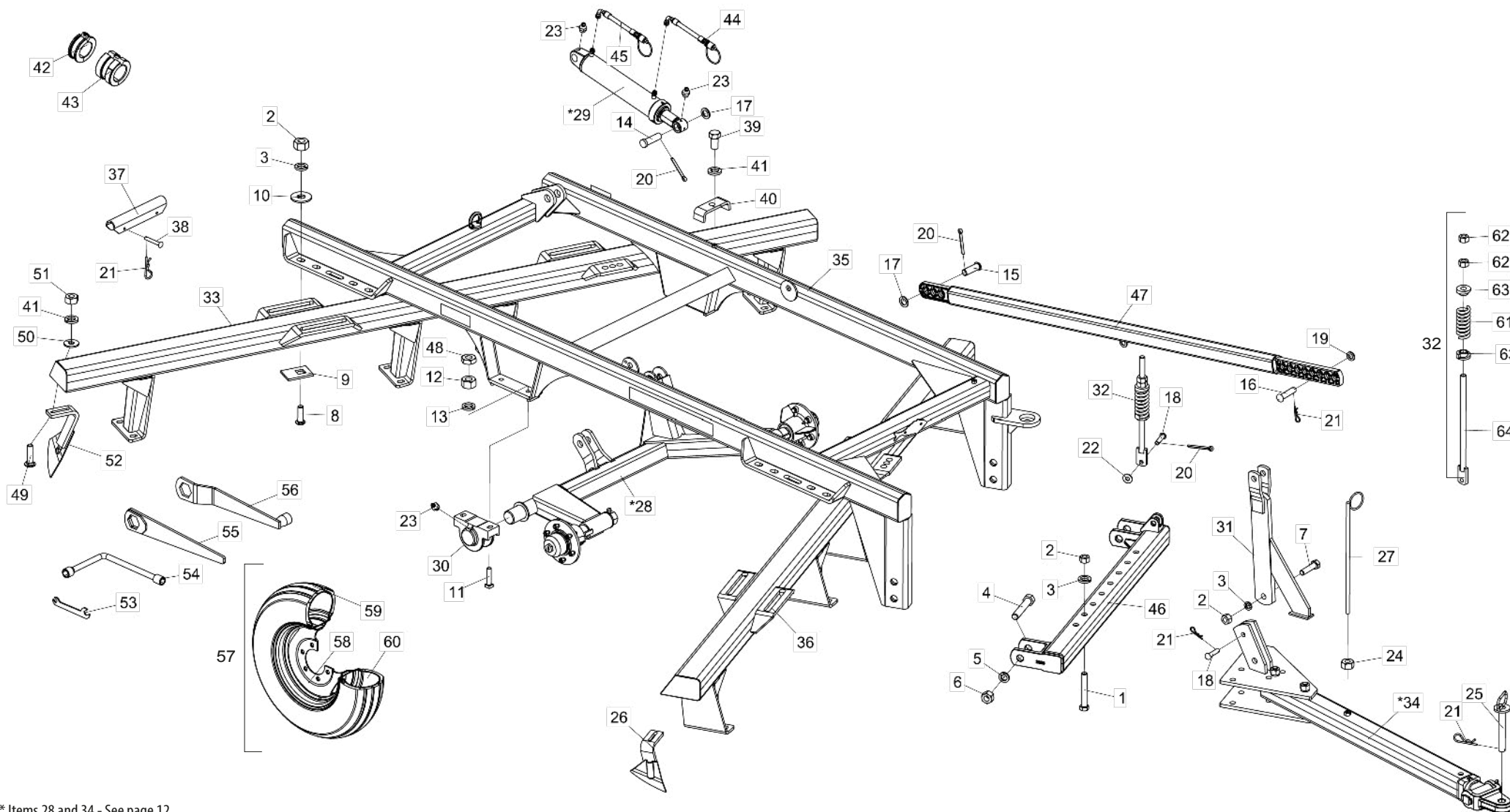
Items 48 and 75 - use +1 unit for finishing disc.  
 Items 35, 36 e 37- use +2 units for finishing disc.

## • Table CRSG-L 18 to 24 Discs

Item	Código	Product description	All	Discs				Item	Código	Product description	All	Discs			
				CRSG-L 18 Discs	CRSG-L 20 Discs	CRSG-L 22 Discs	CRSG-L 24 Discs					CRSG-L 18 Discs	CRSG-L 20 Discs	CRSG-L 22 Discs	CRSG-L 24 Discs
*1	5084020003-2	Complete Hitch Drawbar	1					44	5530060020-3	Hoses Support(Hydraulic Opening)	1				
*2	5232040044-9	Complete Shaft Of Articulation Wheel	1					45	5024010061-1	Smooth Washer Ø33,5 X Ø53,5 X 4,75Mm	2				
*3	6020055687-1	Hydraulic Cylinder "O.D" Ø1.5/8" X Ø3.1/2" X 358Mm(Course) X 689Mm(Closed)	1					46	5024010039-5	Smooth Washer Ø26,2 X Ø44 X 4,75Mm	7				
4	5372011086-1	Hose 3/8 <sub>2</sub> X 6400Mm W/ 1Tcg And 1Trf	1					47	5352050039-8	Front Scraper (2.1/2" X 5/8" With Slotted Hole)		5	6	6	7
5	5372011085-3	Hose 3/8 <sub>2</sub> X 6000Mm W/ 1Tcg And 1Trf	1					48	5352050040-1	Rear Scraper (2.1/2" X 5/8" With Slotted Hole)		5	6	6	7
6	5138020001-9	Wrench For Hexagonal Nut 3/8" - 1/2"	1					49	6020311139-0	Hexagonal Head Bolt 1" X 6.1/2" 8F Unc1A Gr5 Rp	2				
7	5138050016-0	Wrench "L" For Hexagonal Nut 5/8" - 3/4"	1					50	6020311104-8	Hexagonal Head Bolt 3/4" X 5.1/2" 10F Unc1A Gr5 Rp	3				
8	5138010019-7	Wrench For Nut De 1.5/8"	1					51	6020010414-8	Pressure Washer 3/4" Media Industry	7				
9	5138010007-3	Wrench For Hexagonal Nut 1.5/8" E 1"	1					52	5040030010-8	Stabilizer Bar	1				
10	5498100003-2	Complete Wheel 600 X 16	2					53	5040010138-5	Complete Hitch Transversal Bar	1				
11	5566010026-0	Complete Stabilizer Rod(565Mm)	1					54	5404010122-8	Rear/Front Gangs Of Main Frame	1				
12	5024010513-6	Smooth Washer Ø20 x Ø35 x 3mm	4					55	5432120044-6	French Head Pin Ø37,50 X 104Mm Gr3	2				
13	6020310784-9	Hexagonal Nut 3/4" 10F UNC GR5 Ch.1.1/4" Alt.11mm (Bicromatizado)	4					56	5024010232-0	Smooth Washer Ø39,8 X Ø66,5 X 4,75Mm	2				
14	5024010007-7	Smooth Washer Ø20,3 X Ø46,5 X 4,75Mm	1					57	6020050118-0	Cotterpin 1/4" X 2.1/2"	2				
15	5204010537-9	Articulation Shaft Hub	2					58	5022090325-4	Front Gang Crsgl-18 Discs	1				
16	5432120025-0	French Head Pin Ø30,53 X 85Mm	1					58	5022090326-2	Front Gang Crsgl-20 Discs		1			
17	5432120022-5	French Head Pin Ø1" X 90Mm	1					58	5022090327-0	Front Gang Crsgl-22 Discs			1		
18	5432120038-1	French Head Pin Ø3/4" X 75Mm	1					58	5022090328-9	Front Gang Crsgl-24 Discs				1	
19	5432030133-8	Pin Ø30,53 X 98Mm	1					59	5022090329-7	Rear Gang Crsgl - 18 Discs	1				
20	5432060023-8	Pin Of Ø1" X 210Mm	1					59	5022090331-9	Rear Gang Crsgl - 22 Discs		1			
21	5460030007-8	Clamp With Hole For Bolt Ø1/2"	4					59	5022090330-0	Rear Gang Crsgl-20 Discs			1		
22	5558040009-3	Piston Lock Of 360Mm	1					59	5022090332-7	Rear Gang Crsgl-24 Discs				1	
23	5558210003-8	Bolt Lock	2					60	6020310421-1	French Head Pin Ø9,8 X 61Mm	2				
24	5348050006-3	Complete Limiter Of Ø42 X 25Mm	1					61	6020250293-0	Helical Spring Ø43 X Ø67 X 157Mm	1				
25	5348050009-8	Complete Limiter Of Ø42 X 49,5Mm	1					62	6010600463-6	Spring Bushing	2				
26	6020310139-5	French Head Bolt 1" X 2.5/8" 8F Unc Gr5 Rp	6					63	5566080078-5	Rod Of Ø1" X 565Mm	1				
27	6020010420-2	Pressure Washer 1" Media Industry	11					64	6020310778-4	Hexagonal Nut 1" 8F Unc Gr5 Ch.1.5/8" Height 25,00Mm	2				
28	6020310778-4	Hexagonal Nut 1" 8F Unc Gr5 Ch.1.5/8" Height 25,00Mm	11					65	6020350400-7	Rim 4,50X16 F16.388 43/03 (Harrow)	2				
29	6020310770-9	Hexagonal Nut 3/4" 10F Unc Gr5 Ch.1.7/32" Height 18,50Mm	7					66	6020310400-9	Tyre 600 X 16 X 6 Ply	2				
30	6020310242-1	Square Head Bolt 3/4" X 3.1/2" 10F Unc1A Gr5 Rp	4					67	6020050350-6	Inner Tube 600X16	2				
31	6020050116-3	Cotterpin 1/4" X 2"	3							Optional					
32	6020130108-7	Grease Fitting 1/8"	4					68	5498100005-9	Complete Wheel 750x16	2				
33	6020310760-1	Hexagonal Nut 5/8" 11F Unc Gr5 Ch.1.1/16" Height 15,00Mm	1					69	6020350402-3	Rim 5,5" X 16" 16.392	2				
34	6020390308-4	Lock Nma - Type "R" Ø4,5 X 80Mm	4					70	6020310406-8	Tyre 750 X 16 X 10 Ply	2				
35	6020310143-3	French Head Bolt 1/2" X 1.5/8" 12F W Gr2 Rt Special		20	24	24	28	71	6020050356-5	Inner Tube 750X16	2				
35	6020310143-3	French Head Bolt 1/2" X 1.5/8" 12F W Gr2 Rt Special		30	36	40	42	*72	5084010064-0	Complete Hitch Drawbar - For Export	1				
36	6020010410-5	Pressure Washer 1/2" Media Industry		22	26	26	30	73	6020370264-0	Lifting Support - Hydraulic Field Jack	1				
36	6020010410-5	Pressure Washer 1/2" Media Industry		32	38	42	46	74	5352050049-5	Front Scraper		5	6	6	7
37	6020310754-7	Hexagonal Nut 1/2" 12F W Gr5 Ch.7/8" Height 12,00Mm		20	24	24	28	74	5352050049-5	Front Scraper - For Export		8	9	10	11
37	6020310754-7	Hexagonal Nut 1/2" 12F W Gr5 Ch.7/8" Height 12,00Mm		30	36	40	42	75	5352050048-7	Rear Scraper		5	6	6	7
38	6020311195-1	French Head Bolt 1" X 3.1/4" 8F Unc1A Gr5 Rp Special	2					75	5352050048-7	Rear Scraper - For Export		8	9	10	11
39	6020310054-2	Hexagonal Head Bolt 3/8" X 1" 16F Unc1A Gr2 Rt	1					76	5022010575-7	Rear Gang For Finishing Disc	1				
40	6020030104-0	Nut Ø3/8" 16F Unc	1					76	5022010576-5	Rear Gang For Finishing Disc			1		
41	6020310431-9	Hexagonal Head Bolt 1" X 4" 8F Unc1A Gr5 Rp	1					76	5022010577-3	Rear Gang For Finishing Disc				1	
42	6020311045-9	Hexagonal Head Bolt 1/2" X 1" 12F W Gr5 Rt Without Point	2					76	5022010578-1	Rear Gang For Finishing Disc					1
43	5530140029-1	Support Of Stabilizer Bar (Special)	1												



## • CRSG-L 28 to 32 Discs



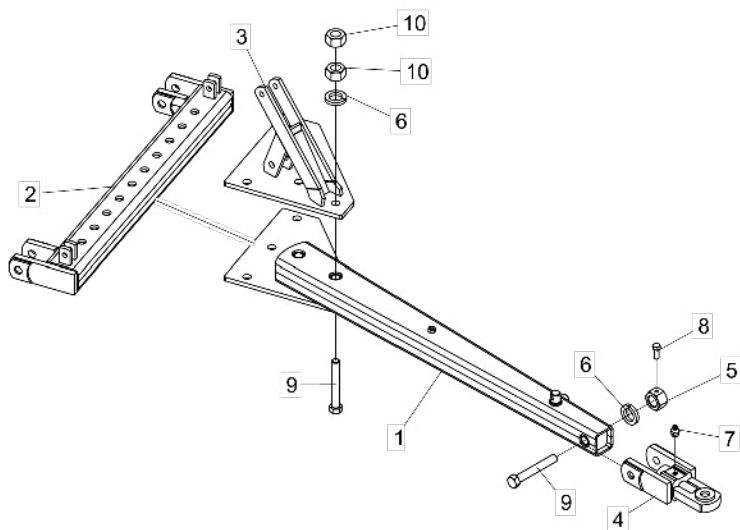
\* Items 28 and 34 - See page 12

\* Item 29 - See page 14

## • Table CRSG-L 28 to 32 Discs

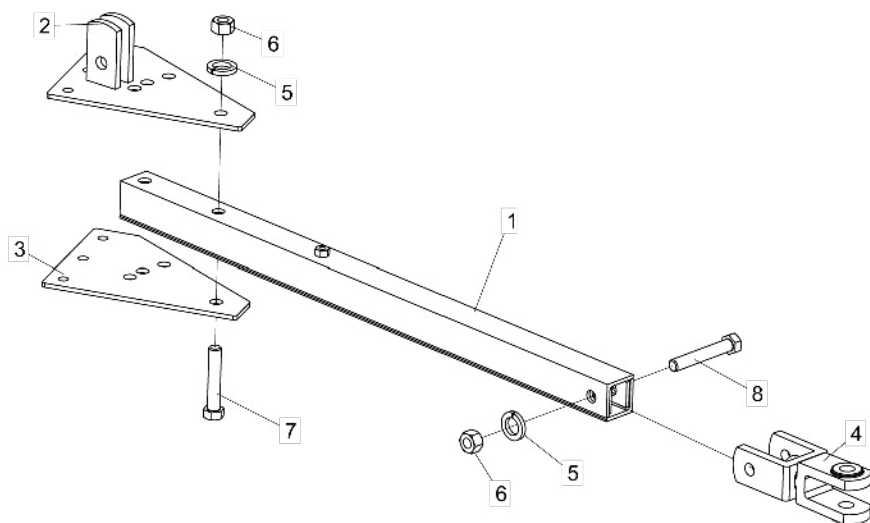
Item	Code	Product description	All	CRSGL-28	CRSGL-32	Item	Code	Product description	All	CRSGL-28	CRSGL-32
1	6020311140-4	Hexagonal Head Bolt 1" X 7" 8F Unc1A Gr5 Rp	4			39	6020311045-9	Hexagonal Head Bolt 1/2" X 1" 12FW Gr5 Rt Without Point	2		
2	6020310778-4	Hexagonal Nut 1" 8F Unc Gr5 Ch.1.5/8" Height 25,00Mm	13			40	5460040002-1	Clamp "U" 26 X 95 X 6,4	2		
3	6020010420-2	Pressure Washer 1" Media Industry	13			41	6020010410-5	Pressure Washer 1/2" Media Industry		58	66
4	6020311156-0	Hexagonal Head Bolt 1.1/4" X 7" 7F Unc1A Gr5 Rp	2			42	5348050006-3	Complete Limiter Of Ø42 X 25Mm	1		
5	6020010424-5	Pressure Washer 1.1/4" Media Industry	2			43	5348050009-8	Complete Limiter Of Ø42 X 49,5Mm	1		
6	6020310793-8	Hexagonal Nut 1.1/4" 7F Unc Gr5 Ch.2" Height 31,00Mm	2			44	5372011085-3	Hose 3/8; X 6000Mm W/ 1Tcg And 1Trf	1		
7	6020310431-9	Hexagonal Head Bolt 1" X 4" 8F Unc1A Gr5 Rp	1			45	5372011086-1	Hose 3/8; X 6400Mm W/ 1Tcg And 1Trf	1		
8	6020311195-1	French Head Bolt 1" X 3.1/4" 8F Unc1A Gr5 Rp Special	8			46	5040010873-8	Complete Transversal Bar	1		
9	5558210003-8	Bolt Lock	8			47	5040010851-7	Stabilizer Bar	1		
10	5024010634-2	Smooth Washer Ø26,8 X Ø66,5 X 4,75Mm	8			48	6020310784-9	Hexagonal Nut 3/4" 10F Unc Gr5 Ch.1.1/4" Height 11,00Mm	4		
11	6020310242-1	Square Head Bolt 3/4" X 3.1/2" 10F Unc1A Gr5 Rp	4			49	6020310144-1	French Head Bolt 1/2" X 2" 12FW Gr2 Rp Special (Export)		56	64
12	6020310770-9	Hexagonal Nut 3/4" 10F Unc Gr5 Ch.1.7/32" Height 18,50Mm	4			50	5024010068-9	Smooth Washer Ø13,3 X Ø35,5 X 3,00Mm		56	64
13	6020010414-8	Pressure Washer 3/4" Media Industry	4			51	6020310754-7	Hexagonal Nut 1/2" 12FW Gr5 Ch.7/8" Height 12,00Mm		56	64
14	5432030133-8	Pin Ø30,53 X 98Mm	1			52	5352050048-7	Rear Scraper (Export)		14	16
15	5432120025-0	French Head Pin Ø30,53 X 85Mm	1			53	5138020001-9	Wrench For Hexagonal Nut 3/8" - 1/2"	1		
16	5432120021-7	French Head Pin Ø1" X 105Mm	1			54	5138050016-0	Wrench "L" For Hexagonal Nut 5/8" - 3/4"	1		
17	5024010061-1	Smooth Washer Ø33,5 X Ø53,5 X 4,75Mm	2			55	5138010019-7	Wrench For Nut De 1.5/8"	1		
18	5432120038-1	French Head Pin Ø3/4" X 75Mm	2			56	5138010007-3	Wrench For Hexagonal Nut 1.5/8" E 1"	1		
19	5024010039-5	Smooth Washer Ø26,2 X Ø44 X 4,75Mm	1			57	5498100005-9	Complete Wheel 750 X 16	2		
20	6020050116-3	Cotterpin 1/4" X 2"	3			58	6020350402-3	Rim 5,5" X 16" 16.392	2		
21	6020390308-4	Lock Nma - Type "R" Ø4,5 X 80Mm	5			59	6020310406-8	Tyre 750 X 16 X 10 Ply	2		
22	5024010007-7	Smooth Washer Ø20,3 X Ø46,5 X 4,75Mm	1			60	6020050356-5	Inner Tube 750X16	2		
23	6020130108-7	Grease Fitting 1/8"	4			61	6020250293-0	Helical Spring Ø43 X Ø67 X 157Mm	1		
24	6020310760-1	Hexagonal Nut 5/8" 11F Unc Gr5 Ch.1.1/16" Height 15,00Mm	1			62	6020310778-4	Hexagonal Nut 1" 8F Unc Gr5 Ch.1.5/8" Height 25,00Mm	2		
25	5432010025-1	Pin Of Ø1.1/4" X 215Mm	1			63	6010600463-6	Spring Bushing	2		
26	5352050049-5	Front Scraper (Export)		14	16	64	5566080078-5	Rod Of Ø1" X 565Mm	1		
27	5530060020-3	Hoses Support(Hydraulic Opening)	1								
*28	5232040015-5	Complete Shaft Of Articulation Wheel	1								
*29	6020055687-1	Hydraulic Cylinder "O.D" Ø1.5/8" X Ø3.1/2" X 358Mm(Course) X 689Mm(Closed)	1								
30	5204030001-5	Articulation Shaft Hub	2								
31	5530140010-0	Support Of Stabilizer Bar (640Mm)	1								
32	5566010026-0	Complete Stabilizer Rod(565Mm)	1								
33	5022011739-9	Complete Rear Gang		1							
33	5022011751-8	Complete Rear Gang			1						
*34	5084020036-9	Complete Hitch Drawbar	1								
35	5404010945-8	Complete Front/Rear Gangs Of Main Frame	1								
36	5022011738-0	Complete Front Gang		1							
36	5022011750-0	Complete Front Gang			1						
37	5558040009-3	Piston Lock Of 360Mm	1								
38	6020310421-1	French Head Pin Ø9,8 X 61Mm	2								

## • Hitch Drawbar CRSG 32 to 48 Discs



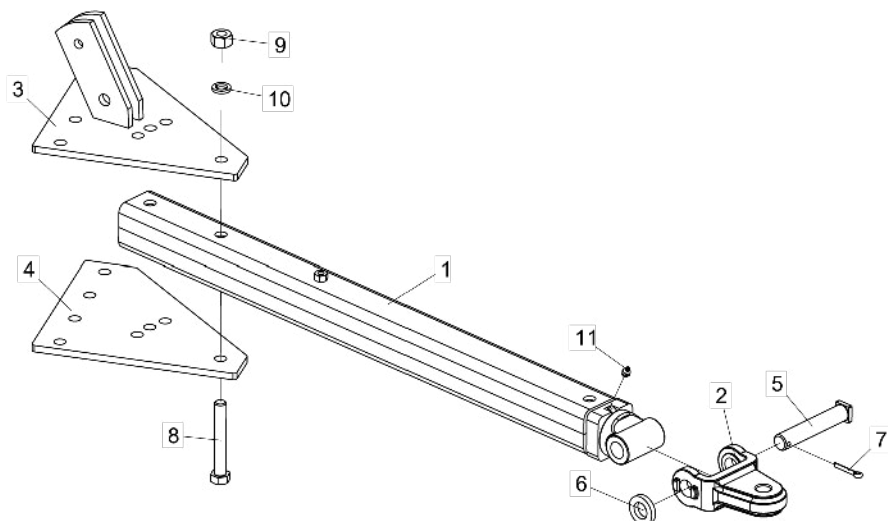
Item	Code	Product description	All
1	5084020002-4	Hitch Drawbar	1
2	5040020003-0	Hitch Transversal Bar	1
3	5136011952-5	Adjustment Upper Plate Of Drawbar	1
4	5332020003-9	Hitch Shackle	1
5	5456010022-4	Hexagonal Nut 1.1/4" 7F Unc Gr5 Key.2" Height.31,00Mm With Hole R.3/8"	1
6	6020010424-5	Pressure Washer 1.1/4" Media Industry	6
7	6020130108-7	Grease Fitting 1/8"	1
8	6020310054-2	Hexagonal Head Bolt 3/8" X 1" 16F Unc1A Gr2 Rt	1
9	6020310249-9	Hexagonal Head Bolt 1.1/4" X 9" 7F Unc1A Gr5 Rp	6
10	6020310793-8	Hexagonal Nut 1.1/4" 7F Unc Gr5 Ch.2" Height 31,00Mm	10

## • Hitch Drawbar CRSG-L 18 to 24 Discs



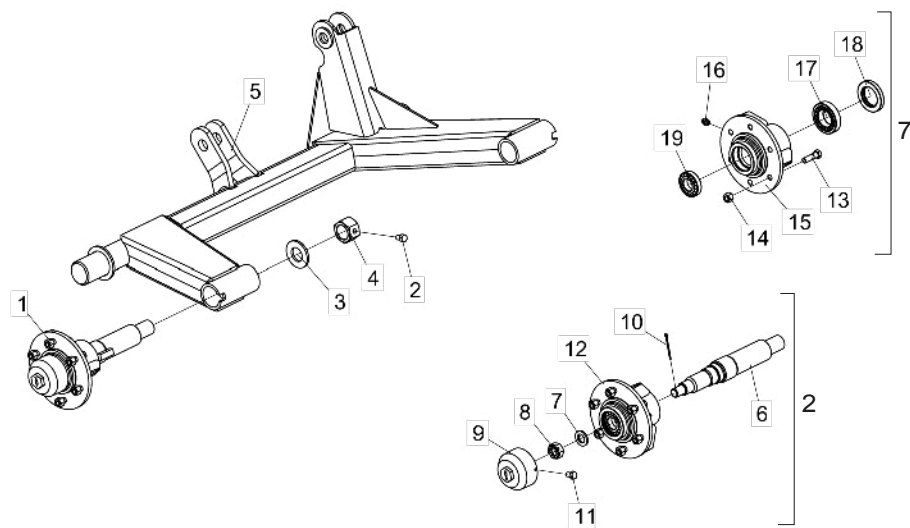
Item	Code	Product description	All
1	5084030014-2	Hitch Drawbar	1
1	5084010065-8	Hitch Drawbar - With Pins for Support Of Lifting	1
2	5136110002-0	Adjustment Upper Plate	1
3	5136110028-3	Adjustment Plate	1
4	5332010008-5	Hitch Shackle	1
5	6020010420-2	Pressure Washer 1" Media Industry	3
6	6020310778-4	Hexagonal Nut 1" 8F Unc Gr5 Ch.1.5/8" Height 25,00Mm	3
7	6020311136-6	Hexagonal Head Bolt 1" X 5.1/2" 8F Unc1A Gr5 Rp	2
8	6020311139-0	Hexagonal Head Bolt 1" X 6.1/2" 8F Unc1A Gr5 Rp	1

## • Hitch Drawbar CRSG-L 28 to 32 Discs



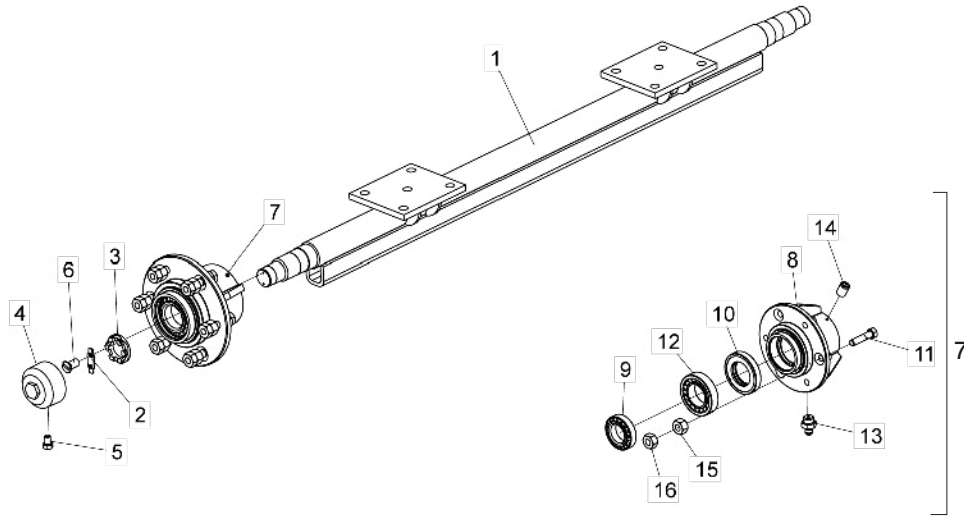
Item	Code	Product description	All
1	5084020035-0	Hitch Drawbar	1
2	6010600995-6	Support Type "U" Of Shackle	1
3	5136016860-7	Adjustment Upper Plate Of Drawbar	1
4	5136110063-1	Upper And Lower Plate Of Drawbar	1
5	5432040003-4	Square Head Pin Ø37,5 X 190Mm	1
6	5024010217-7	Smooth Washer Ø39 X Ø68 X 12,00Mm	1
7	6020050122-8	Cotterpin 3/8" X 2.1/2"	1
8	6020311140-4	Hexagonal Head Bolt 1" X 7" 8F Unc1A Gr5 Rp	2
9	6020310778-4	Hexagonal Nut 1" 8F Unc Gr5 Ch.1.5/8" Height 25,00Mm	2
10	6020010420-2	Pressure Washer 1" Media Industry	2
11	6020130108-7	Grease Fitting 1/8"	1

## • Wheel Articulation Shaft CRSG-L



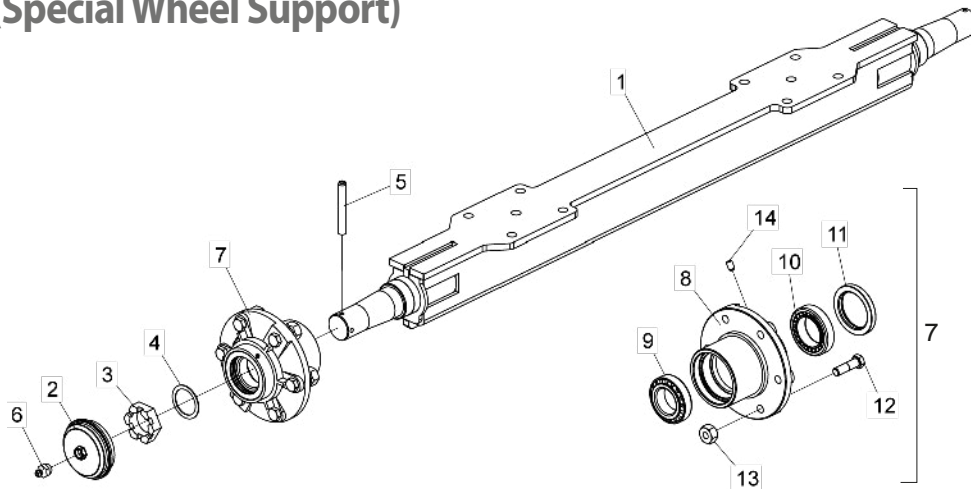
Item	Code	Product description	All	CRSG-L 18 to 24	CRSG-L 28 to 32
1	5232160020-4	Complete Wheel Shaft	2		
2	6020311046-7	Hexagonal Head Bolt 1/2" X 3/4" 12F W Gr2 Rt	2		
3	5024010347-5	Smooth Washer Ø41,5 X Ø80 X 6,30Mm	2		
4	5456010030-5	Hexagonal Nut Ø1.5/8" 7F With Hole Ø1/2"	2		
5	5232040048-1	Articulation Wheel Shaft	1		
6	5232040004-0	Complete Shaft Of Articulation Wheel	1		1
7	5232030007-0	Shaft With Wheel Lock	1		
8	5024010039-5	Smooth Washer Ø26,2 X Ø44 X 4,75Mm	1		
9	6020310800-4	Nut 1" 14F Uns Gr5 Ch.1.1/2" Height 22,00Mm	1		
10	5096020004-4	Wheel Hub Cap	1		
11	6020050102-3	Cotterpin 1/8" X 2.1/2"	1		
12	6020311020-3	Hexagonal Head Bolt 5/16" X 1/2" 18F Unc1A Gr2 Rt	1		
13	5204060025-6	Complete Wheel Hub	1		
14	6020310998-1	Hexagonal Head Bolt 9/16" X 2" 18F Unf1A Gr5 Rp	12		
15	6020310816-0	Double Conic Hexagonal Nut Of Wheel 9/16" 18F Unf Gr5 Ch.7/8" Height 19,00Mm	12		
16	5204010063-6	Wheel Hub (Spare)	2		
17	6020130108-7	Grease Fitting 1/8"	2		
18	6020350056-7	Bearing 32210	2		
19	6020350224-1	Retainer Ø55,00 X Ø90,00 X 12,50Mm	2		
20	6020350080-0	Bearing 30207	2		

## • Wheel Shaft CRSG 32 to 48 Discs



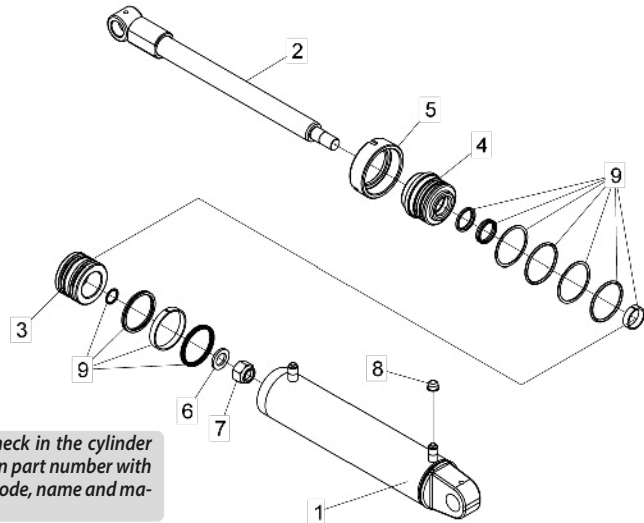
Item	Code	Product description	All
1	5232030060-6	Spare Wheel Shaft	1
2	5558020002-7	Lock(Small)	2
3	5456020007-5	Nut Ø48,7 - 14 Fpp-W (Special)	2
4	5096020006-0	Wheel Hub Cap	2
5	6020311020-3	Hexagonal Head Bolt 5/16" X 1/2" 18F Unc1A Gr2 Rt	2
6	6020310128-0	Bolt (Thread Machined) 1/4" X 1/2" 20F Unc1A Gr5 Rt	4
7	5204010255-8	Complete Wheel Hub	2
8	5204010015-6	Wheel Hub (Spare)	2
9	6020350056-7	Bearing 32210	2
10	6020350242-0	Retainer Ø63,50 X Ø110,00 X 18,00Mm	2
11	6020311078-5	Hexagonal Head Bolt 5/8" X 2.3/4" 18F Unf1A Gr5 Rp	12
12	6020350074-5	Bearing 32212	2
13	6020130108-7	Grease Fitting 1/8"	2
14	6020310096-8	Allen Bolt S/C 5/16" X 1/2" 18F Unc1A Cl12.9 Rt (Phosphated)	4
15	6020310807-1	Conic Hexagonal Nut Of Wheel 5/8" 18F Unf Gr5 Ch.1.1/16" Height 19,00Mm	12
16	6020310805-5	Hexagonal Nut 5/8" 18F Unf Gr5 Ch.1.1/16" Height 13,50Mm	12

## • Wheel Shaft CRSG 32 to 48 Discs (Special Wheel Support)



Item	Code	Product description	All
1	5232011923-5	Shaft 2094Mm Completo	1
2	5096010051-1	Hub Cap	2
3	5456020010-5	Nut 2.1/2" 12F	2
4	5024010711-0	Smooth Washer Ø64 X Ø82 X 2Mm	2
5	6020310489-0	Heavy Elastic Pin Ø10 X 75Mm	2
6	6020130108-7	Grease Fitting 1/8"	4
7	5204010493-3	Complete Wheel Hub	2
8	5204010492-5	Wheel Hub	1
9	6020350196-2	Bearing 3920/3982 (Cover/Cone)	1
10	6020350190-3	Bearing 33287/33462 Cover/Cone	1
11	6020350280-2	Retainer Ø87,30 X Ø120,80 X 14,30Mm	1
12	6020311106-4	Hexagonal Head Bolt 3/4" X 2.3/4" 16F Unf1A Gr5 Rp	6
13	6020310803-9	Conic Hexagonal Nut 3/4" 16F Unf Gr5 Ch.1.1/2" Height 22,00Mm	6
14	6020310096-8	Allen Bolt S/C 5/16" X 1/2" 18F Unc1A Cl12.9 Rt (Phosphated)	2

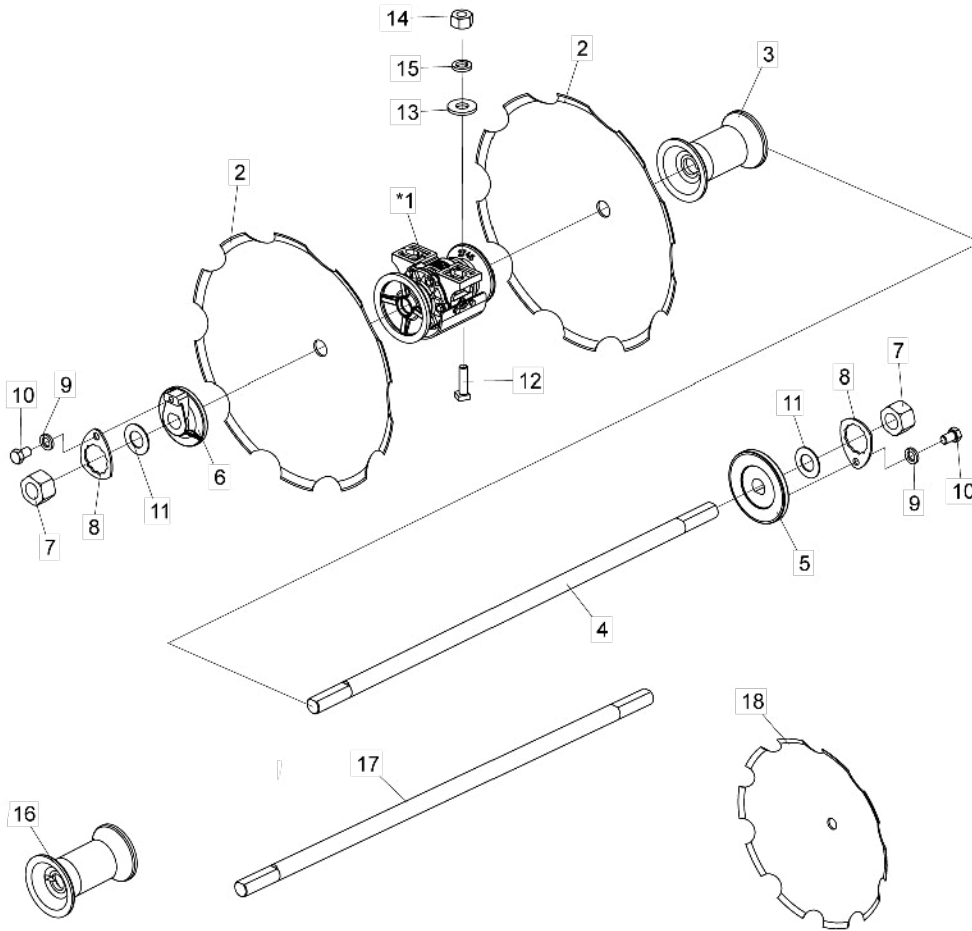
## • Hydraulic Cylinder CRSG 32 to 48 Discs and CRSG-L



For spare parts order, please check in the cylinder jacket (1), the following: - Baldan part number with 11 numbers, the manufacturer code, name and manufacturer date.

Item	Code	Product description	All	Standart	Special Wheel Support
1	5144010214-3	Kit Jacked Ø88,9 (3.1/2") x 550mm		1	
1	5144040331-3	Kit Jacked Ø88,9 (3.1/2") x 522mm			1
2	5326020163-4	Piston Rod Ø41,27 (1.5/8") x 549mm Completa C/ Bucha de Encosto		1	
2	5326010418-3	Piston Rod Ø41,27 (1.5/8") X 530Mm			1
3	5236010001-4	Piston Plung Ø26,72 X Ø88,30 X 60,00Mm		1	
4	5152010001-0	Piston Coupling Ø41,68 X Ø88,50 X 80MM		1	
5	5456050001-0	Piston Nut		1	
6	5024010323-8	Smooth Washer Ø27 X Ø44,5 X 4,75Mm		1	
7	6020310804-7	Self-Locking Nut With Nylon 1" 14F Uns Gr5 Ch.1.1/2" H.28,50Mm		1	
8	6020390042-5	Plastic Cover Bt-21		2	
9	6020190067-3	Repair Kit For Hydraulic Cylinders "D.A" 1.5/8" X 3.1/2"		1	

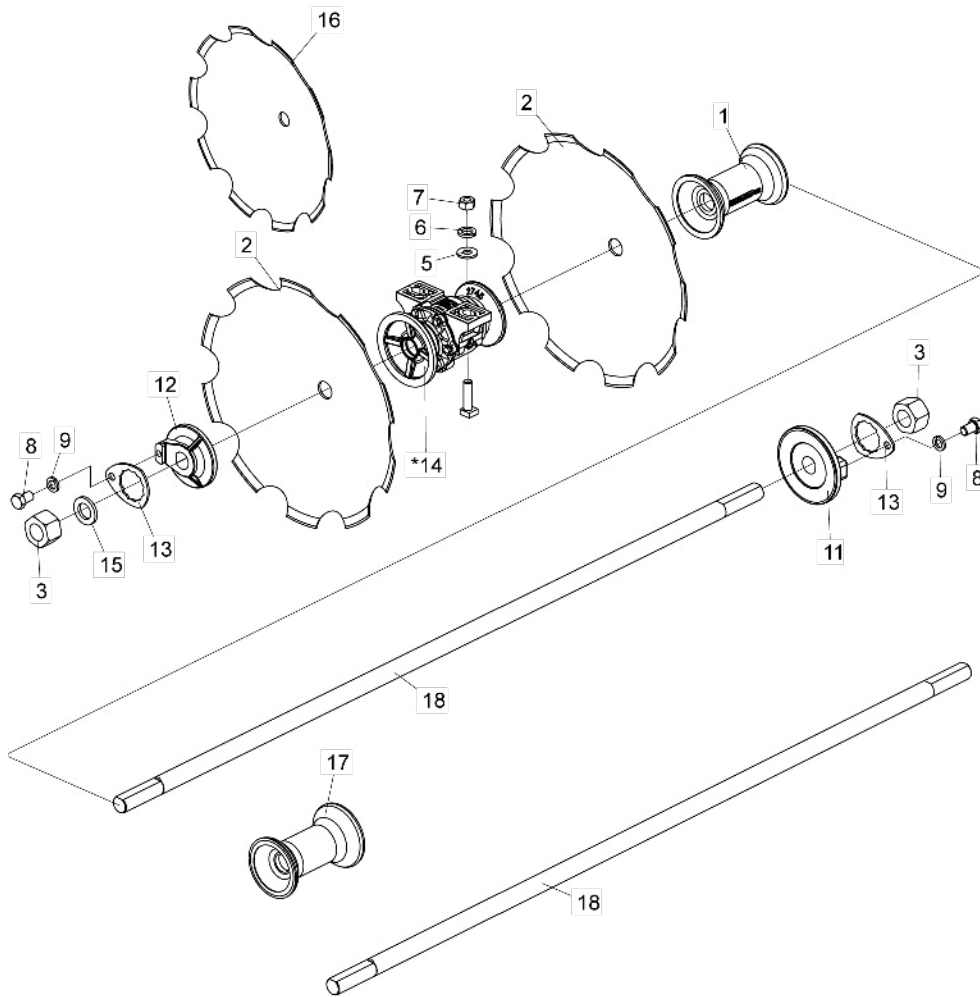
## • Discs Section CRSG 32 to 48 Discs



\* Item 1 - See page 18

Item	Code	Product description	All	CRSG 32	CRSG 36	CRSG 40	CRSG 44	CRSG 48
*1	5368010289-5	Complete Front/Rear Grease Bearing Of 250Mm W/Protection For Shaft Ø1.5/8"	12	12	16	16	16	16
*1	5368010293-3	Complete Front/Rear Grease Bearing Of 250Mm Without Protection For Shaft Ø1.5/8"	12	12	16	16	16	16
*1	5368010321-2	Complete Axial (Oil) Front/Rear Bearing Of 250Mm Without Protection For Shaft Ø1.5/8"	12	12	16	16	16	16
*1	5368010356-5	Complete Axial (Oil) Front/Rear Bearing Of 250Mm W/Protection For Shaft Ø1.5/8"	12	12	16	16	16	16
2	2667430273-7	Concave Plain Disc Blade 24 X 6,00 Hc Rd 1.5/8 Internal Bevel	32	36	40	44	48	
2	2669430262-8	Concave Plain Disc Blade 26 X 6,00 Hc Rd 1.5/8 Single Bevel	32	36	40	44	48	
2	2669430273-3	Concave Plain Disc Blade 26 X 6,00 Hc Rd 1.5/8 Internal Bevel	32	36	40	44	48	
2	2670430273-7	Concave Plain Disc Blade 28 X 6,00 Hc Rd 1.5/8 Internal Bevel	32	36	40	44	48	
2	2767420273-9	Concave Notched Disc Blade 24 X 5,00 Hc Rd 1.5/8 Internal Bevel	32	36	40	44	48	
2	2767430273-3	Concave Notched Disc Blade 24 X 6,00 Hc Rd 1.5/8 Internal Bevel	32	36	40	44	48	
2	2767470273-1	Concave Notched Disc Blade 24 X 7,50 Hc Rd 1.5/8 Internal Bevel	32	36	40	44	48	
2	2769420273-5	Concave Notched Disc Blade 26 X 5,00 Hc Rd 1.5/8 Internal Bevel	32	36	40	44	48	
2	2769430262-4	Concave Notched Disc Blade 26 X 6,00 Hc Rd 1.5/8 Single Bevel	32	36	40	44	48	
2	2769430273-0	Concave Notched Disc Blade 26 X 6,00 Hc Rd 1.5/8 Internal Bevel	32	36	40	44	48	
2	2769470273-8	Concave Notched Disc Blade 26 X 7,50 Hc Rd 1.5/8 Internal Bevel	32	36	40	44	48	
2	2770420273-9	Concave Notched Disc Blade 28 X 5,00 Hc Rd 1.5/8 Internal Bevel	32	36	40	44	48	
2	2770430273-3	Concave Notched Disc Blade 28 X 6,00 Hc Rd 1.5/8 Internal Bevel	32	36	40	44	48	
2	2770470273-1	Concave Notched Disc Blade 28 X 7,50 Hc Rd 1.5/8 Internal Bevel	32	36	40	44	48	
3	5120010011-9	Spool Of 225Mm For Shaft OfØ1.5/8"	16	18	16	20	24	
4	5232010625-7	Shaft Ø1.5/8" X 1880Mm	4					
4	5232010345-2	Shaft Ø1.5/8" X 1390Mm		6		4	8	
4	5232050267-5	Shaft Ø1.5/8" X 1160Mm			8	4		
5	5024010365-3	Convex Washer Ø1.5/8"	4	6	8	8	8	
6	5024010366-1	Convex Washer Ø1.5/8"	4	6	8	8	8	
7	5456010072-0	Hexagonal Nut Ø1.5/8" 7Fpp-W Gr5 Wrench 69Mm Height 44Mm (Special)	8	12	16	16	16	
8	5558010096-0	Lock Nut Shaft	8	12	16	16	16	
9	6020010412-1	Pressure Washer 5/8" Media Industry	8	12	16	16	16	
10	6020310183-2	Hexagonal Head Bolt 5/8" X 1" 11F Unc1A Gr2 Rt	8	12	16	16	16	
11	5024010367-0	Smooth Washer Ø43 X Ø78 X 3,00Mm	8	12	16	16	16	
12	6020310240-5	Square Head Bolt 3/4" X 2.3/4" 10F Unc1A Gr5 Excentric Rp	24	24	32	32	32	
13	5024010007-7	Smooth Washer Ø20,3 X Ø46,5 X 4,75Mm	24	24	32	32	32	
14	6020310770-9	Hexagonal Nut 3/4" 10F Unc Gr5 Ch.1.7/32" Height 18,50Mm	24	24	32	32	32	
15	6020010414-8	Pressure Washer 3/4" Media Industry	24	24	32	32	32	
Optional								
16	5120010011-9	Spool Of 225Mm For Shaft OfØ1.5/8" (For Finishing Discs)	17	19	17	21	25	
17	5232010625-7	Shaft Ø1.5/8" X 1880Mm	3					
17	5232050159-8	Shaft Ø1.5/8" X 2110mm (For Finishing Discs)	1					
17	5232050005-2	Shaft Ø1.5/8" X 1620mm (For Finishing Discs)		1			1	
17	5232010345-2	Shaft Ø1.5/8" X 1390Mm (For Finishing Discs)		5	1	5	7	
17	5232050267-5	Shaft Ø1.5/8" X 1160Mm (For Finishing Discs)			7	3		
18	2765420262-7	Concave Notched Disc Blade 22 X 5,00 Hc Rd 1.5/8 Single Bevel	1					
18	2765420273-2	Concave Notched Disc Blade 22 X 5,00 Hc Rd 1.5/8 Internal Bevel	1					
18	2765430273-7	Concave Notched Disc Blade 22 X 6,00 Hc Rd 1.5/8 Internal Bevel	1					

## • Discs Section CRSGL 18 to 24 Discs

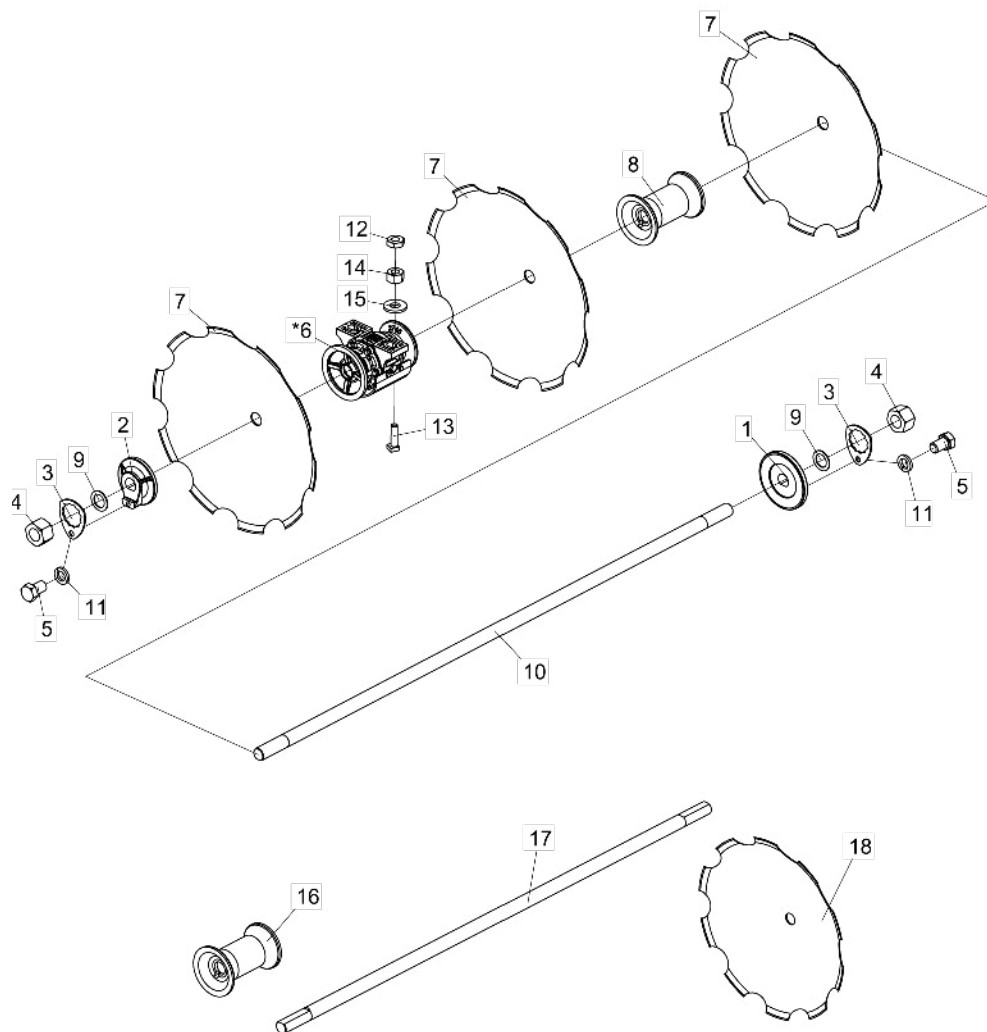


Item	Code	Product description	All	CRSGL 18	CRSGL 20	CRSGL 22	CRSGL 24
1	5120010031-3	Spool Of 224Mm For Shaft Of 1.5/8"		10	12	10	12
2	2667420262-7	Concave Plain Disc Blade 24 X 5,00 Hc Rd 1.5/8 Single Bevel		18	20	22	24
2	2667420273-2	Concave Plain Disc Blade 24 X 5,00 Hc Rd 1.5/8 Internal Bevel		18	20	22	24
2	2667430262-1	Concave Plain Disc Blade 24 X 6,00 Hc Rd 1.5/8 Single Bevel		18	20	22	24
2	2667430273-7	Concave Plain Disc Blade 24 X 6,00 Hc Rd 1.5/8 Internal Bevel		18	20	22	24
2	2767420262-3	Concave Notched Disc Blade 24 X 5,00 Hc Rd 1.5/8 Single Bevel		18	20	22	24
2	2767420273-9	Concave Notched Disc Blade 24 X 5,00 Hc Rd 1.5/8 Internal Bevel		18	20	22	24
2	2767430262-8	Concave Notched Disc Blade 24 X 6,00 Hc Rd 1.5/8 Single Bevel		18	20	22	24
2	2767430273-3	Concave Notched Disc Blade 24 X 6,00 Hc Rd 1.5/8 Internal Bevel		18	20	22	24
2	2669430262-8	Concave Plain Disc Blade 26 X 6,00 Hc Rd 1.5/8 Single Bevel		18	20	22	24
2	2669430273-3	Concave Plain Disc Blade 26 X 6,00 Hc Rd 1.5/8 Internal Bevel		18	20	22	24
2	2769420262-0	Concave Notched Disc Blade 26 X 5,00 Hc Rd 1.5/8 Single Bevel		18	20	22	24
2	2769420273-5	Concave Notched Disc Blade 26 X 5,00 Hc Rd 1.5/8 Internal Bevel		18	20	22	24
2	2769430262-4	Concave Notched Disc Blade 26 X 6,00 Hc Rd 1.5/8 Single Bevel		18	20	22	24
2	2769430273-0	Concave Notched Disc Blade 26 X 6,00 Hc Rd 1.5/8 Internal Bevel		18	20	22	24
3	5456010072-0	Hexagonal Nut Ø1.5/8" 7Fpp-W Gr5 Wrench 69Mm Height 44Mm (Special)		4	4	8	8
4	6020310240-5	Square Head Bolt 3/4" X 2.3/4" 10F Unc1A Gr5 Excentric Rp		12	12	16	16
5	5024010007-7	Smooth Washer Ø20,3 X Ø46,5 X 4,75Mm		12	12	16	16
6	6020010414-8	Pressure Washer 3/4" Media Industry		12	12	16	16
7	6020310770-9	Hexagonal Nut 3/4" 10F Unc Gr5 Ch.1.7/32" Height 18,50Mm		12	12	16	16
8	6020310183-2	Hexagonal Head Bolt 5/8" X 1" 11F Unc1A Gr2 Rt		4	4	8	8
9	6020010412-1	Pressure Washer 5/8" Media Industry		4	4	8	8
10	5232010348-7	Shaft Ø1.5/8" X 2090Mm		2			
10	5232010349-5	Shaft Ø1.5/8" X 2330Mm			2		
10	5232050267-5	Shaft Ø1.5/8" X 1160Mm				2	
10	5232010345-2	Shaft Ø1.5/8" X 1390Mm				2	4
11	5024010365-3	Convex Washer Ø1.5/8"		2	2	4	4
12	5024010366-1	Convex Washer Ø1.5/8"		2	2	4	4
13	5558010096-0	Lock Nut Shaft		4	4	8	8
*14	5368010289-5	Complete Front/Rear Grease Bearing Of 250Mm W/Protection For Shaft Ø1.5/8"		6	6	8	8
*14	5368010293-3	Complete Front/Rear Grease Bearing Of 250Mm Without Protection For Shaft Ø1.5/8"		6	6	8	8
*14	5368010321-2	Complete Axial (Oil) Front/Rear Bearing Of 250Mm Without Protection For Shaft Ø1.5/8"		6	6	8	8
*14	5368010356-5	Complete Axial (Oil) Front/Rear Bearing Of 250Mm W/Protection For Shaft Ø1.5/8"		6	6	8	8
15	5024010367-0	Smooth Washer Ø43 X Ø78 X 3,00Mm		4	4	8	8
Optional							
16	2765420262-7	Concave Notched Disc Blade 22 X 5,00 Hc Rd 1.5/8 Single Bevel		1			
16	2765420273-2	Concave Notched Disc Blade 22 X 5,00 Hc Rd 1.5/8 Internal Bevel		1			
16	2765430273-7	Concave Notched Disc Blade 22 X 6,00 Hc Rd 1.5/8 Internal Bevel		1			
17	5120010031-3	Spool Of 224Mm For Shaft Of 1.5/8"		11	13	11	13
18	5232010348-7	Shaft Ø1.5/8" X 2090Mm		1			
18	5232010349-5	Shaft Ø1.5/8" X 2330Mm			1		
18	5232010350-9	Shaft Ø1.5/8" X 2550Mm				1	
18	5232010345-2	Shaft Ø1.5/8" X 1390Mm					1
18	5232010347-9	Shaft Ø1.5/8" X 1605Mm					1
18	5232050267-5	Shaft Ø1.5/8" X 1160Mm				2	

\* Item 14 - See page 18



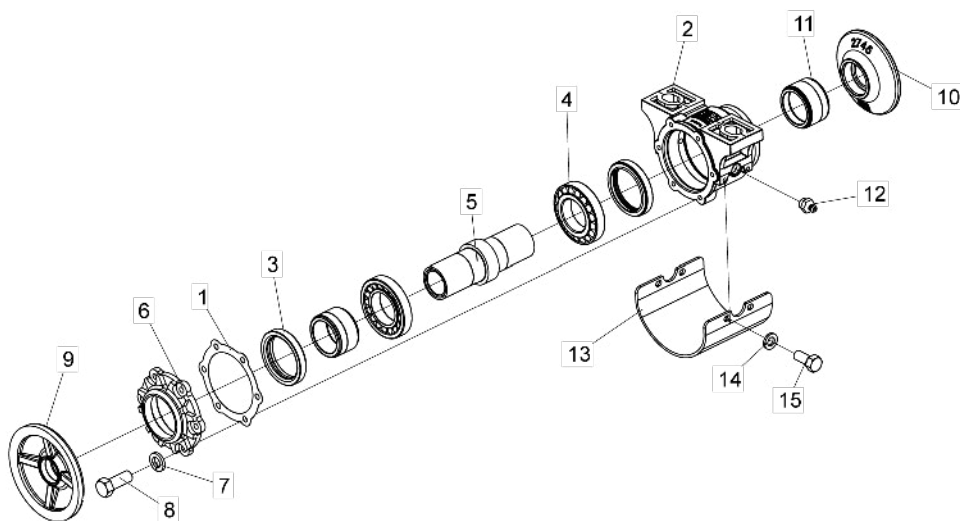
## • Discs Section CRSG-L 28 to 32 Discs



Item	Code	Product description	All	CRSG-L 28	CRSG-L 32
1	5024010365-3	Convex Washer Ø1.5/8"	4		
2	5024010366-1	Convex Washer Ø1.5/8"	4		
3	5558010096-0	Lock Nut Shaft	8		
4	5456010072-0	Hexagonal Nut Ø1.5/8" 7Fpp-W Gr5 Wrench 69Mm Height 44Mm (Special)	8		
5	6020310183-2	Hexagonal Head Bolt 5/8" X 1" 11F Unc1A Gr2 Rt	8		
*6	5368010289-5	Complete Front/Rear Grease Bearing Of 250Mm W/Protection For Shaft Ø1.5/8"	8		
*6	5368010321-2	Complete Axial (Oil) Front/Rear Bearing Of 250Mm Without Protection For Shaft Ø1.5/8"(Duo Cone Seal)	8		
*6	5368010356-5	Complete Axial (Oil) Front/Rear Bearing Of 250Mm W/Protection For Shaft Ø1.5/8"(Duo Cone Seal)	8		
7	2667420273-2	Concave Plain Disc Blade 24 X 5,00 Hc Rd 1.5/8 Internal Bevel	28	32	
7	2767420273-9	Concave Notched Disc Blade 24 X 5,00 Hc Rd 1.5/8 Internal Bevel	28	32	
7	2769420273-5	Concave Notched Disc Blade 26 X 5,00 Hc Rd 1.5/8 Internal Bevel	28	32	
7	2769430273-0	Concave Notched Disc Blade 26 X 6,00 Hc Rd 1.5/8 Internal Bevel	28	32	
8	5120010011-9	Spool Of 225Mm For Shaft Of Ø1.5/8"	16	20	
9	5024010367-0	Smooth Washer Ø43 X Ø78 X 3,00Mm	8		
10	5232050005-2	Shaft Ø1.5/8" X 1620Mm	4		
10	5232010625-7	Shaft Ø1.5/8" X 1880Mm			4
11	6020010412-1	Pressure Washer 5/8" Media Industry	8		
12	6020310784-9	Hexagonal Nut 3/4" 10F Unc Gr5 Ch.1.1/4" Height 11,00Mm	16		
13	6020310240-5	Square Head Bolt 3/4" X 2.3/4" 10F Unc1A Gr5 Excentric Rp	16		
14	6020310770-9	Hexagonal Nut 3/4" 10F Unc Gr5 Ch.1.7/32" Height 18,50Mm	16		
15	5024010007-7	Smooth Washer Ø20,3 X Ø46,5 X 4,75Mm	16		
Optional					
16	5120010011-9	Spool Of 225Mm For Shaft Of Ø1.5/8"		17	21
17	5232050005-2	Shaft Ø1.5/8" X 1620Mm	3		
17	5232050260-8	Shaft Ø1.5/8" X 1850Mm	1		
17	5232010625-7	Shaft Ø1.5/8" X 1880Mm			3
17	5232050270-5	Shaft Ø1.5/8" X 2085Mm			1
18	2767420273-9	Concave Notched Disc Blade 24 X 5,00 Hc Rd 1.5/8 Internal Bevel	1		

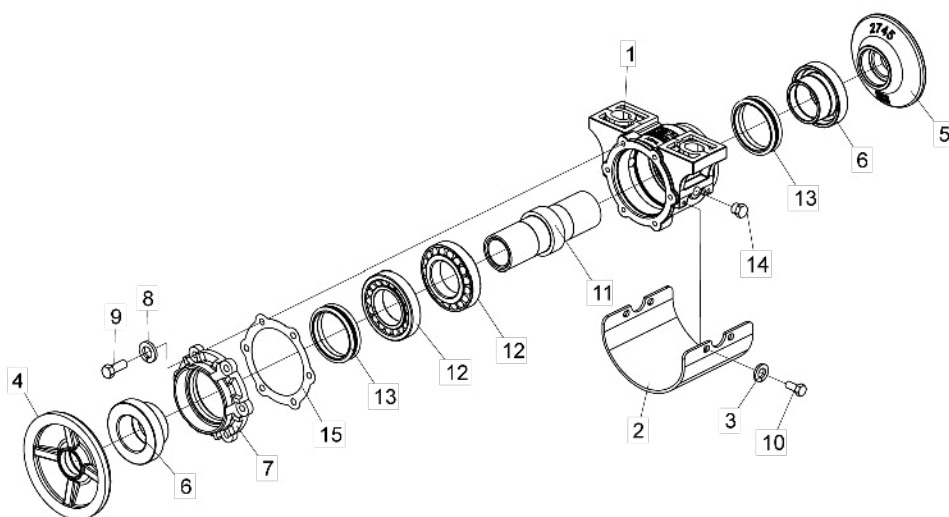
\* Item 6 - See page 18

## • Radial Bearing (Grease) CRSG 32 to 48 Discs and CRSG-L



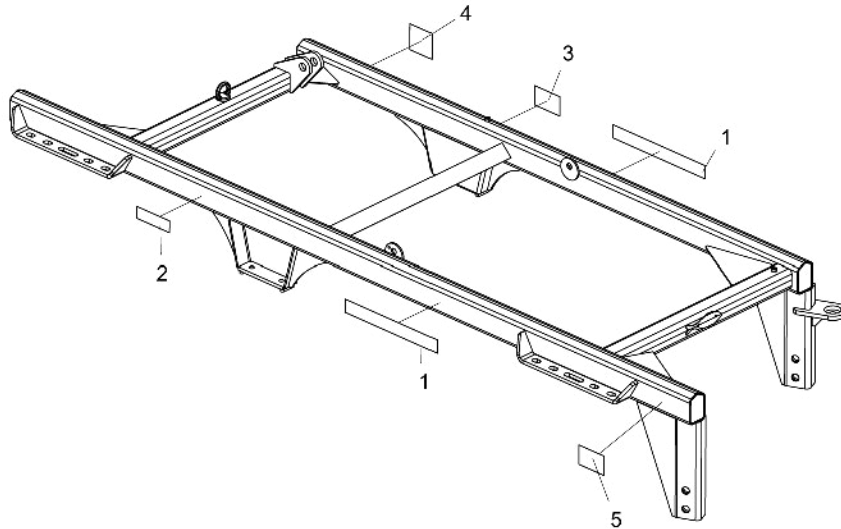
Item	Code	Product description	All		
			Without Protection	With Protection	Without Protection
1	6020190107-6	Gascket Ø112 X Ø143 X 1/64"	6		
2	5368010346-8	Spare Front/Rear Grease Bearing W/Protection		1	
2	5368010331-0	Spare Front/Rear Grease Bearing (Without Protection			1
3	6020350235-7	Retainer Ø78,00 X Ø100,00 X 17,50Mm	2		
4	6020350072-9	Bearing 30212	2		
5	5080010686-6	Bearing Bushing	1		
6	5538010089-3	Bearing Cover	1		
7	6020010406-7	Pressure Washer 3/8" Media Industry	6		
8	6020310021-6	Hexagonal Head Bolt 3/8" X 1" 16F Unc1A Gr5 Rt (Phosphated)	6		
9	5024010729-2	Concave Washer Of Bearing	1		
10	5024010730-6	Convex Washer Of Bearing	1		
11	5080080007-0	Bushing	2		
12	6020130108-7	Grease Fitting 1/8"	2		
13	5464010106-0	Bearing Protection			1
14	6020010410-5	Pressure Washer 1/2" Media Industry			4
15	6020310062-3	Hexagonal Head Bolt 1/2" X 3/4" 13F UNC GR5 RT			4

## • Axial Bearing (Óleo) CRSG 32 to 48 Discs and CRSG-L



Item	Code	Product description	All		
			Without Protection	With Protection	Without Protection
1	5368010697-1	Spare Front/Rear Oil Bearing (Without Protection			1
1	5368010698-0	Spare Front/Rear Oil Bearing W/Protection		1	
2	5464010106-0	Bearing Protection		1	
3	6020010404-0	Pressure Washer 1/2" Media Industry			4
4	5024010699-7	Concave Washer Of Bearing	1		
5	5024010700-4	Convex Washer Of Bearing	1		
6	5080010247-0	Bushing 1.5/8"	2		
7	5538010155-5	Bearing Cover	1		
8	6020010406-7	Pressure Washer 3/8" Media Industry	6		
9	6020310021-6	Hexagonal Head Bolt 3/8" X 1" 16F Unc1A Gr5 Rt (Phosphated)	6		
10	6020312020-9	Hexagonal Head Bolt 1/2" X 3/4" 13F UNC GR5 RT			4
11	5080010686-6	Bearing Bushing	1		
12	6020350072-9	Bearing 30212	2		
13	6020010297-8	Ring Ø77 X Ø93Mm	2		
14	5081010007-6	Hexagonal Head Plug 3/4" - R.3/8" - 19F - Bspt(Gas)	2		
15	6020190107-6	Gascket Ø112 X Ø143 X 1/64"	6		

## • Stickers



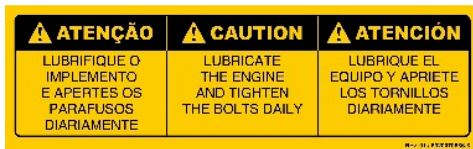
Item	Código	Descrição do Produto	Todos	CRSG	CRSG-L
1	6020071096-0	Sticker CRSG-Baldan(65 X 465mm)		2	
1	6020070829-9	Sticker CRSG-L 550 X 65mm			2
2	6020070886-8	Sticker Lubricate And Retighten (58 X 195mm)	1		
3	5206010310-0	Sticker Disc Warning (150 X 95mm)	1		
4	5206010150-7	Sticker - Warning -Place Piston Lock For Transport	1		
5	5206010308-9	Sticker Hydraulic Hoses Warning (150 X 95mm)	1		



Item 1



Item 1



Item 2



Item 3



Item 4



Item 5

## ■ Numerical Index

Código	Página	Item	Código	Página	Item	Código	Página	Item	Código	Página	Item	Código	Página	Item	Código	Página	Item	Código	Página	Item	Código	Página	Item
2667420262-7	16	2	5022011738-0	10	36	5024010366-1	16	12	5138010007-3	5	17	5232040015-5	10	*28	5368010321-2	16	*14	5460040002-1	5	35	6020010410-5	8	36
2667420273-2	16	2	5022011739-9	10	33	5024010366-1	17	2	5138010007-3	8	9	5232040023-6	5	69	5368010321-2	17	6	5460040002-1	10	40	6020010410-5	8	36
2667420273-2	17	7	5022011750-0	10	36	5024010367-0	15	11	5138010007-3	10	56	5232040044-9	8	*2	5368010331-0	18	2	5464010106-0	18	13	6020010410-5	10	41
2667430262-1	16	2	5022011751-8	10	33	5024010367-0	16	15	5138010019-7	5	16	5232040048-1	12	5	5368010346-8	18	2	5464010106-0	18	2	6020010410-5	18	14
2667430273-7	15	2	5022090325-4	8	58	5024010367-0	17	9	5138010019-7	8	8	5232040074-0	6	92	5368010356-5	15	*1	5498100003-2	8	10	6020010410-5	18	3
2667430273-7	16	2	5022090326-2	8	58	5024010513-6	8	12	5138010019-7	10	55	5232050005-2	15	17	5368010356-5	16	*14	5498100005-9	8	68	6020010412-1	6	83
2669430262-8	15	2	5022090327-0	8	58	5024010634-2	5	13	5138020001-9	8	6	5232050005-2	17	10	5368010356-5	17	6	5498100005-9	10	57	6020010412-1	15	9
2669430262-8	15	2	5022090328-9	8	58	5024010634-2	10	10	5138020001-9	10	53	5232050005-2	17	17	5368010697-1	18	1	5498100008-3	5	4	6020010412-1	16	9
2669430273-3	16	2	5022090329-7	8	59	5024010699-7	18	4	5138050016-0	5	18	5232050159-8	15	17	5368010698-0	18	1	5498100028-8	6	97	6020010412-1	17	11
2669430273-3	16	2	5022090330-0	8	59	5024010700-4	18	5	5138050016-0	8	7	5232050260-8	17	17	5372011085-3	8	5	5498100029-6	6	97	6020010414-8	5	26
2670430273-7	15	2	5022090331-9	8	59	5024010711-0	13	4	5138050016-0	10	54	5232050267-5	15	4	5372011085-3	10	44	5498100070-9	6	98	6020010414-8	8	51
2765420262-7	15	18	5022090332-7	8	59	5024010729-2	18	9	5144010214-3	14	1	5232050267-5	15	17	5372011086-1	8	4	5530060020-3	5	43	6020010414-8	10	13
2765420262-7	16	16	5022090447-1	6	71	5024010730-6	18	10	5144040331-3	14	1	5232050267-5	16	10	5372011086-1	10	45	5530060020-3	8	44	6020010414-8	15	15
2765420273-2	15	18	5022090448-0	6	95	5040010138-5	8	53	5152010001-0	14	4	5232050267-5	16	18	5372011088-8	5	8	5530060020-3	10	27	6020010414-8	16	6
2765420273-2	16	16	5022090451-0	5	71	5040010237-3	5	66	5204010015-6	13	8	5232050270-5	17	17	5404010122-8	8	54	5530140006-2	5	67	6020010420-2	5	20
2765430273-7	15	18	5022090452-8	6	95	5040010851-7	10	47	5204010063-6	12	15	5232160020-4	12	1	5404010356-5	5	11	5530140010-0	10	31	6020010420-2	8	27
2765430273-7	16	16	5022090453-6	5	71	5040010873-8	10	46	5204010255-8	13	7	5236010001-4	14	3	5404010945-8	10	35	5530140029-1	8	43	6020010420-2	10	3
2767420262-3	16	2	5022090454-4	6	95	5040020003-0	11	2	5204010492-5	13	8	5324020001-1	6	78	5432010025-1	10	25	5530540014-8	5	70	6020010420-2	11	5
2767420273-9	15	2	5022090455-2	6	71	5040030010-8	8	52	5204010493-3	13	7	5326010418-3	14	2	5432030133-8	5	32	5530540015-6	6	93	6020010420-2	12	10
2767420273-9	16	2	5022090456-0	6	95	5040030016-7	5	68	5204010537-9	5	64	5326020163-4	14	2	5432030133-8	8	19	5538010089-3	18	6	6020010424-5	10	5
2767420273-9	17	7	5022090457-9	6	71	5040120528-1	5	65	5204010537-9	8	15	5332010008-5	11	4	5432030133-8	10	14	5538010155-5	18	7	6020010424-5	11	6
2767420273-9	17	18	5022090458-7	6	95	5080010247-0	18	6	5204030001-5	10	30	5332020003-9	11	4	5432040003-4	12	5	5558010096-0	15	8	6020010513-6	5	9
2767430262-8	16	2	5024010007-7	5	40	5080010686-6	18	5	5204030007-4	6	90	5348050006-3	5	47	5432040027-1	5	33	5558010096-0	16	13	6020010817-8	6	103
2767430273-3	15	2	5024010007-7	8	14	5080010686-6	18	11	5204060025-6	12	12	5348050006-3	8	24	5432060023-8	8	20	5558010096-0	17	3	6020030104-0	5	45
2767430273-3	16	2	5024010007-7	10	22	5080080007-0	18	11	5206010150-7	19	4	5348050006-3	10	42	5432080016-4	6	81	5558010248-3	6	94	6020030104-0	8	40
2767470273-1	15	2	5024010007-7	15	13	5081010007-6	18	14	5206010308-9	19	5	5348050009-8	5	48	5432120012-8	5	15	5558020002-7	13	2	6020050102-3	12	10
2769420262-0	16	2	5024010007-7	16	5	5084010064-0	8	*72	5206010310-0	19	3	5348050009-8	8	25	5432120021-7	5	12	5558040009-3	5	62	6020050116-3	5	30
2769420273-5	15	2	5024010007-7	17	15	5084010065-8	11	1	5224030018-4	5	54	5348050009-8	10	43	5432120021-7	10	16	5558040009-3	8	22	6020050116-3	8	31
2769420273-5	16	2	5024010039-5	5	21	5084020002-4	11	1	5232010345-2	15	4	5352050039-8	5	50	5432120022-5	8	17	5558040009-3	10	37	6020050116-3	10	20
2769420273-5	17	7	5024010039-5	8	46	5084020003-2	8	*1	5232010345-2	15	17	5352050039-8	8	47	5432120025-0	5	31	5558210003-8	5	23	6020050118-0	6	75
2769430262-4	15	2	5024010039-5	10	19	5084020035-0	12	1	5232010345-2	16	10	5352050040-1	5	49	5432120025-0	8	16	5558210003-8	8	23	6020050118-0	8	57
2769430262-4	16	2	5024010039-5	12	7	5084020036-9	10	*34	5232010345-2	16	18	5352050040-1	8	48	5432120025-0	10	15	5558210003-8	10	9	6020050122-8	5	42
2769430273-0	15	2	5024010061-1	5	29	5084030014-2	11	1	5232010347-9	16	18	5352050048-7	6	89	5432120038-1	5	39	5566010002-3	5	5	6020050122-8	12	7
2769430273-0	16	2	5024010061-1	8	45	5084040017-1	5	*1	5232010348-7	16	10	5352050048-7	6	89	5432120038-1	8	18	5566010026-0	8	11	6020050350-6	8	67
2769430273-0	17	7	5024010061-1	10	17	5096010051-1	13	2	5232010348-7	16	18	5352050048-7	8	75	5432120038-1	10	18	5566010026-0	10	32	6020050356-5	6	85
2769470273-8	15	2	5024010068-9	5	52	5096020004-4	12	9	5232010349-5	16	10	5352050048-7	8	75	5432120044-6	6	73	5566080078-5	6	79	6020050356-5	8	71
2770420273-9	15	2	5024010068-9	5	52	5096020006-0	13	4	5232010349-5	16	18	5352050048-7	10	52	5432120044-6	8	55	5566080078-5	8	63	6020050356-5	10	60
2770430273-3	15	2	5024010068-9	10	50	5120010011-9	15	3	5232010350-9	16	18	5352050049-5	6	88	5432120090-0	5	28	5566080078-5	10	64	6020050359-0	6	99
2770470273-1	15	2	5024010130-8	5	41	5120010011-9	15	16	5232010625-7	15	4	5352050049-5	6	88	5456010022-4	5	60	6010600463-6	6	76	6020050568-7	5	*3
5022010560-9	6	72	5024010217-7	12	6	5120010011-9	17	8	5232010625-7	15	17	5352050049-5	8	74	5456010022-4	11	5	6010600463-6	8	62	6020050568-7	8	*3
5022010561-7	6	72	5024010232-0	6	74	5120010011-9	17	16	5232010625-7	17	10	5352050049-5	8	74	5456010030-5	12	4	6010600463-6	10	63	6020050568-7	10	*29
5022010562-5	6	72	5024010232-0	8	56	5120010031-3	16	1	5232010625-7	17	17	5352050049-5	10	26	5456010072-0	15	7	6010600995-6	12	2	6020050569-9	6	91
5022010563-3	6	72	5024010323-8	14	6	5120010031-3	16	17	5232010945-0	5	*2	5368010289-5	15	*1	5456010072-0	16	3	6020010297-8	18	13	6020070829-9	19	1
5022010570-6	6	72	5024010347-5	12	3	5136011952-5	11	3	5232011923-5	13	1	5368010289-5	16	*14	5456010072-0	17	4	6020010406-7	5	56	6020070886-8	19	2
5022010575-7	8	76	5024010365-3	15	5	5136016860-7	12	3	5232011924-3	6	96	5368010289-5	17	6	6020010406-7	18	7	6020070996-0	15	1	6020070996-0	19	1
5022010576-5	8	76	5024010365-3	16	11	5136110002-0	11	2	5232030007-0	12	6	5368010293-3	15	*1	5456020010-5	13	3	6020010406-7	18	8	6020130108-7	5	24
5022010577-3	8	76	5024010365-3	17	1	5136110028-3	11	3	5232030060-6	13	1	5368010293-3	16	*14	5456050001-0	14	5	6020010410-5	5	36	6020130108-7	6	84
5022010578-1	8	76	5024010366-1	15	6	5136110063-1	12	4	5232040004-0	12	5	5368010321-2	15	*1	5460030007-8	8	21	6020010410-5	5	36	6020130108-7	8	32

## ■ Numerical Index

Código	Página	Item	Código	Página	Item	Código	Página	Item
6020130108-7	10	23	6020310409-2	6	100	6020311045-9	8	42
6020130108-7	11	7	6020310415-7	6	104	6020311045-9	10	39
6020130108-7	12	11	6020310420-3	6	101	6020311046-7	12	2
6020130108-7	12	16	6020310421-1	5	63	6020311078-5	13	11
6020130108-7	13	13	6020310421-1	8	60	6020311104-8	8	50
6020130108-7	13	6	6020310421-1	10	38	6020311106-4	13	12
6020130108-7	18	12	6020310431-9	8	41	6020311114-5	5	25
6020190067-3	14	9	6020310431-9	10	7	6020311136-6	5	58
6020190107-6	18	1	6020310489-0	13	5	6020311136-6	11	7
6020190107-6	18	15	6020310746-6	5	57	6020311139-0	8	49
6020250293-0	6	77	6020310754-7	5	53	6020311139-0	11	8
6020250293-0	8	61	6020310754-7	5	53	6020311140-4	10	1
6020250293-0	10	61	6020310754-7	8	37	6020311140-4	12	8
6020250681-2	5	6	6020310754-7	8	37	6020311156-0	10	4
6020250943-9	5	7	6020310754-7	10	51	6020311195-1	8	38
6020310021-6	18	8	6020310760-1	5	44	6020311195-1	10	8
6020310021-6	18	9	6020310760-1	8	33	6020311196-0	5	22
6020310026-7	5	55	6020310760-1	10	24	6020350056-7	12	17
6020310054-2	5	46	6020310770-9	5	27	6020350056-7	13	9
6020310054-2	8	39	6020310770-9	8	29	6020350072-9	18	4
6020310054-2	11	8	6020310770-9	10	12	6020350072-9	18	12
6020310062-3	18	15	6020310770-9	15	14	6020350074-5	13	12
6020310062-3	18	10	6020310770-9	16	7	6020350080-0	12	19
6020310096-8	13	14	6020310770-9	17	14	6020350190-3	13	10
6020310096-8	13	14	6020310778-4	5	19	6020350196-2	13	9
6020310128-0	13	6	6020310778-4	6	80	6020350224-1	12	18
6020310139-5	8	26	6020310778-4	8	28	6020350235-7	18	3
6020310143-3	8	35	6020310778-4	8	64	6020350242-0	13	10
6020310143-3	8	35	6020310778-4	10	2	6020350280-2	13	11
6020310144-1	5	51	6020310778-4	10	62	6020350400-7	8	65
6020310144-1	5	51	6020310778-4	11	6	6020350402-3	8	69
6020310144-1	10	49	6020310778-4	12	9	6020350402-3	10	58
6020310183-2	6	82	6020310784-9	5	10	6020350419-8	6	102
6020310183-2	15	10	6020310784-9	8	13	6020350954-8	6	87
6020310183-2	16	8	6020310784-9	10	48	6020370264-0	5	34
6020310183-2	17	5	6020310784-9	17	12	6020370264-0	8	73
6020310240-5	15	12	6020310793-8	10	6	6020390042-5	14	8
6020310240-5	16	4	6020310793-8	11	10	6020390308-4	5	14
6020310240-5	17	13	6020310800-4	12	8	6020390308-4	8	34
6020310242-1	5	38	6020310803-9	13	13	6020390308-4	10	21
6020310242-1	8	30	6020310804-7	14	7	6020410040-6	6	105
6020310242-1	10	11	6020310805-5	13	16			
6020310248-0	5	59	6020310807-1	13	15			
6020310249-9	11	9	6020310816-0	12	14			
6020310400-9	8	66	6020310998-1	12	13			
6020310406-8	6	86	6020311020-3	12	11			
6020310406-8	8	70	6020311020-3	13	5			
6020310406-8	10	59	6020311030-0	5	61			
6020310407-6	6	100	6020311045-9	5	37			







Avenida Baldan, 1500  
Nova Matão  
15.993-900  
Matão/SP - Brasil  
sac@baldan.com.br  
export@baldan.com.br

+55 16 3221 6500  
[baldan.com.br](http://baldan.com.br)