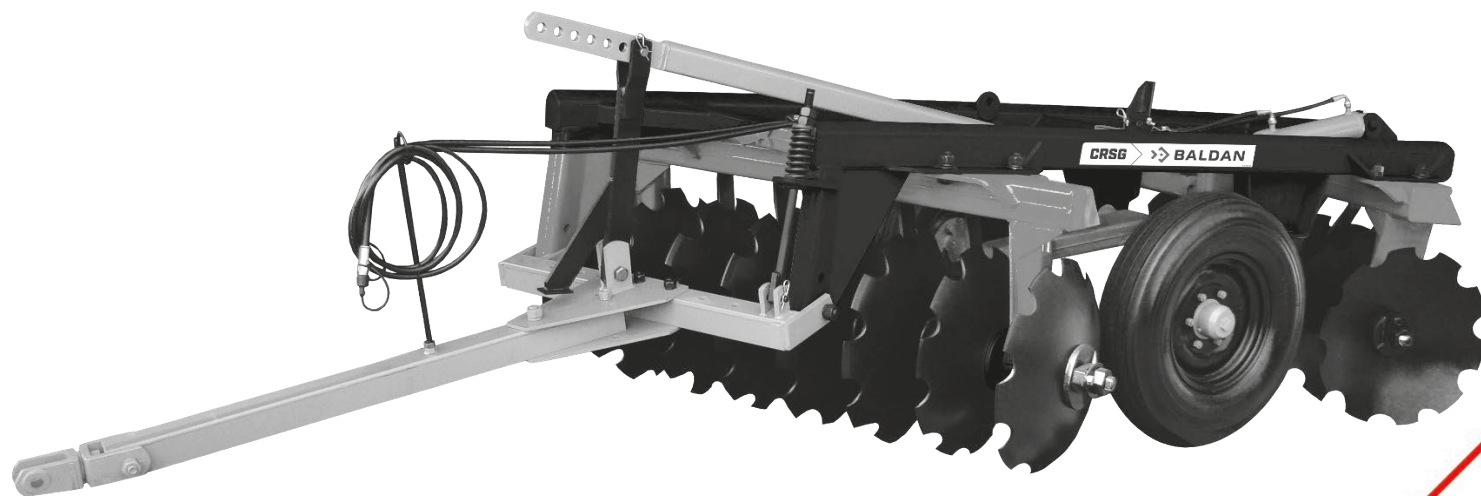


Parts Catalog



CRSG 12 to 28 Discos

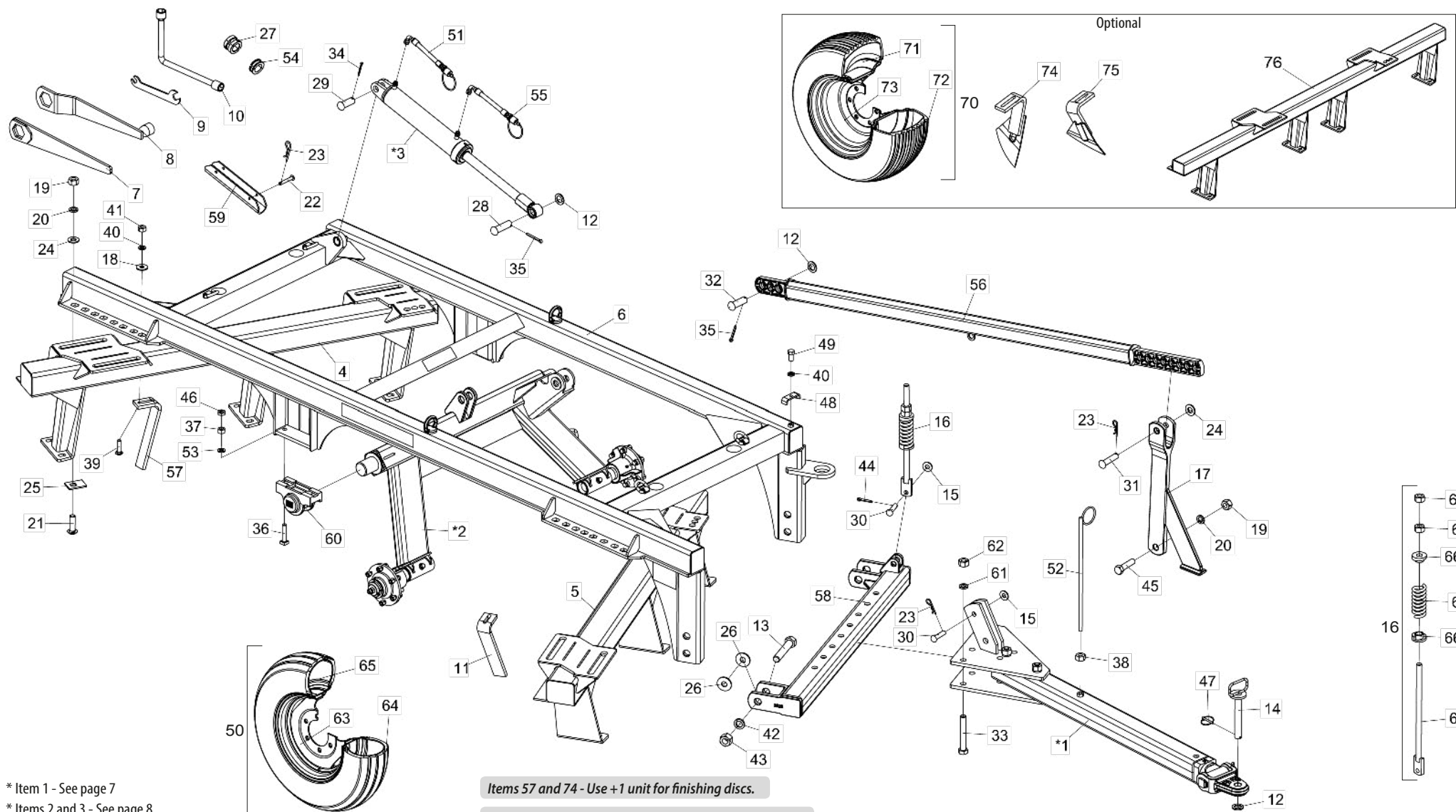
Trailed Offset Disc Harrow

 **BALDAN**

▪ Index

<i>CRSG 12 to 28 Discs</i>	4
<i>Table CRSG 12 to 28 Discos</i>	5-6
<i>Hitch Drawbar CRSG 12 to 16 Discs</i>	7
<i>Hitch Drawbar CRSG 18 to 28 Discs</i>	7
<i>Wheel Articulation Shaft</i>	8
<i>Hydraulic Cylinder</i>	8
<i>Discs Section</i>	9
<i>Axial Bearing (Oil)</i>	10
<i>Stickers</i>	11
NUMERICAL INDEX	12

• CRSG 12 to 28 Discs



* Item 1 - See page 7

* Items 2 and 3 - See page 8

Items 57 and 74 - Use +1 unit for finishing discs.

Items 18, 39, 40 and 41 - Use +2 units for finishing discs.

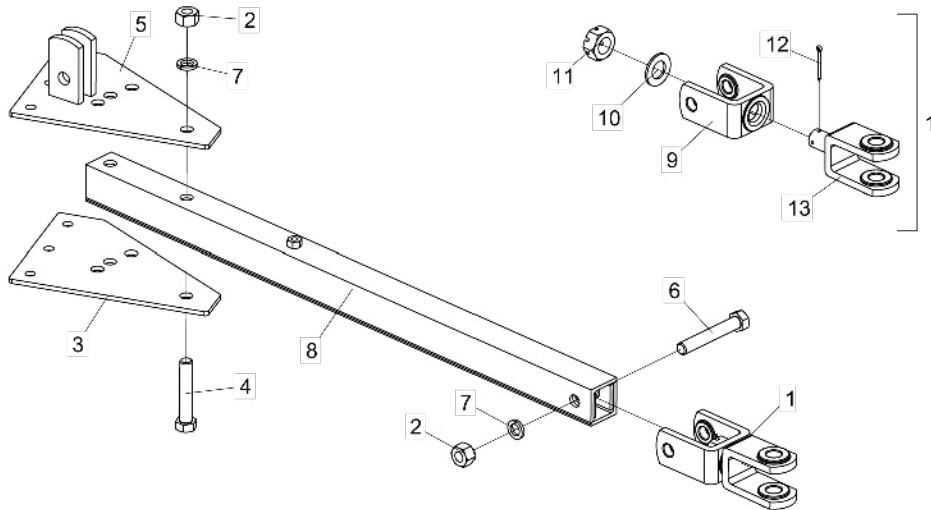
• Table CRSG 12 to 28 Discos

Item	Code	Product description	All	CRSG 12 Discs	CRSG 14 Discs	CRSG 16 Discs	CRSG 18 Discs	CRSG 20 Discs	CRSG 22 Discs	CRSG 24 Discs	CRSG 28 Discs	Item	Code	Product description	All	CRSG 12 Discs	CRSG 14 Discs	CRSG 16 Discs	CRSG 18 Discs	CRSG 20 Discs	CRSG 22 Discs	CRSG 24 Discs	CRSG 28 Discs
*1	5084010307-0	Hitch Drawbar		1	1	1						13	6020311156-0	Hexagonal Head Bolt 1.1/4" X 7" 7F Unc1A Gr5 Rp					2	2	2	2	2
*1	5084010297-9	Hitch Drawbar					1	1	1	1	1	14	5432060023-8	Pin Ø1" X 210Mm		1	1	1					
*2	5232012202-3	Articulation Wheel Shaft		1	1	1						14	5432010025-1	Pin Ø1.1/4" X 215Mm					1	1	1	1	1
*2	5232012187-6	Articulation Wheel Shaft					1	1	1	1	1	15	5024010007-7	Smooth Washer Ø20,3 X Ø46,5 X 4,75Mm		1	1	1	2	2	2	2	2
*3	6020058780-7	Hydraulic Cylinder "D.A" Ø1.5/8" X Ø3.1/4" X 340mm(Course) X 612mm(Closed)		1	1	1						16	5566010026-0	Complete Stabilizer Rod(565Mm)	1								
*3	6020058695-9	Hydraulic Cylinder "D.A" Ø1.5/8" X Ø3.1/4" X 358mm(Course) X 689mm(Closed)					1	1	1	1	1	17	6010602832-2	Stabilizer Bar Support		1	1	1					
4	5022011835-2	Rear Gang CRSG 12 Discos		1								17	6010602833-0	Stabilizer Bar Support					1	1	1	1	1
4	5022011837-9	Rear Gang CRSG 14 Discos			1							18	5024010068-9	Smooth Washer Ø13,3 X Ø35,5 X 3,00Mm		12	16	20	20	20	24	28	36
4	5022011839-5	Rear Gang CRSG 16 Discos				1						18	5024010068-9	Smooth Washer Ø13,3 X Ø35,5 X 3,00Mm - For Export		20	24	28	32	36	40	44	52
4	5022011841-7	Rear Gang CRSG 18 Discos					1					19	6020310778-4	Hexagonal Nut 1" 8F Unc Gr5 Ch.1.5/8" Height 25,00Mm		11	11	11	9	9	9	9	9
4	5022011843-3	Rear Gang CRSG 20 Discos						1				20	6020010420-2	Pressure Washer 1" Media Industry	9								
4	5022011845-0	Rear Gang CRSG 22 Discos							1			21	6020311195-1	French Head Bolt 1" X 3.1/4" 8F Unc1A Gr5 Rp Special	8								
4	5022011847-6	Rear Gang CRSG 24 Discos								1		22	6020310421-1	French Head Pin Ø9,8 X 61Mm	2								
4	5022011849-2	Rear Gang CRSG 28 Discos									1	23	6020390308-4	Lock Nma - Type "R" Ø4,5 X 80Mm		3	3	3	4	4	4	4	4
5	5022011834-4	Front Gang CRSG 12 Discos		1								24	5024010401-3	Smooth Washer Ø26 X Ø 53 X 4,75Mm		10	10	10	9	9	9	9	9
5	5022011836-0	Front Gang CRSG 14 Discos			1							25	5558210003-8	Bolt Lock	8								
5	5022011838-7	Front Gang CRSG 16 Discos				1						26	5024010737-3	Washer Ø27 X Ø70 X 6mm	4								
5	5022011840-9	Front Gang CRSG 18 Discos					1					27	5348050009-8	Complete Limiter Of Ø42 X 49,5Mm	1								
5	5022011842-5	Front Gang CRSG 20 Discos						1				28	5432120090-0	French Head Pin Ø30,53 X 97Mm	1								
5	5022011844-1	Front Gang CRSG 22 Discos							1			29	5432120045-4	French Head Pin Ø30,53 X 71Mm	1								
5	5022011846-8	Front Gang CRSG 24 Discos								1		30	6020310598-6	French Head Pin Ø3/4" X 75mm		1	1	1	2	2	2	2	2
5	5022011848-4	Front Gang CRSG 28 Discos									1	31	6020310595-1	French Head Pin Ø1" X 105mm	1								
6	5404010965-2	Main Frame		1	1	1						32	6020310665-6	French Head Pin Ø30,53 X 85mm	1								
6	5404010966-0	Main Frame					1	1	1	1	1	33	6020311104-8	Hexagonal Head Bolt 3/4" X 5.1/2" 10F Unc1A Gr5 Rp		3	3	3					
7	5138010019-7	Wrench For Nut 1.5/8"	1									33	6020311140-4	Hexagonal Head Bolt 1" X 7" 8F Unc1A Gr5 Rp					4	4	4	4	4
8	5138010031-6	Wrench For Hexagonal Nut 1.5/8" and 1"		1	1	1	1	1				34	6020050118-0	Cotterpin 1/4" X 2.1/2"	1								
8	5138010007-3	Wrench For Hexagonal Nut 1.5/8" E 1"							1	1	1	35	6020050116-3	Cotterpin 1/4" X 2"	2								
9	5138020001-9	Wrench For Hexagonal Nut 3/8" - 1/2"	1									36	6020310242-1	Square Head Bolt 3/4" X 3.1/2" 10F Unc1A Gr5 Rp	4								
10	6020058707-6	Wrench "L" For Hexagonal Nut 5/8" - 3/4"		1	1	1	1	1				37	6020310770-9	Hexagonal Nut 3/4" 10F Unc Gr5 Ch.1.7/32" Height 18,50Mm	4								
10	5138050016-0	Wrench "L" For Hexagonal Nut 5/8" - 3/4"							1	1	1	38	6020310760-1	Hexagonal Nut 5/8" 11F Unc Gr5 Ch.1.1/16" Height 15,00Mm	1								
11	5352050039-8	Front Scraper (2.1/2" X 5/8" With Slotted Hole)		3	4	5	5	5	6	7	9	39	6020310144-1	French Head Bolt 1/2" X 2" 12F W Gr2 Rp Special		12	16	20	20	20	24	28	36
12	5024010061-1	Smooth Washer Ø33,5 X Ø53,5 X 4,75Mm		2	2	2	3	3	3	3	3	39	6020310144-1	French Head Bolt 1/2" X 2" 12F W Gr2 Rp Special - For Export		20	24	28	32	36	40	44	52
13	6020311139-0	Hexagonal Head Bolt 1" X 6.1/2" 8F Unc1A Gr5 Rp		2	2	2						40	6020010410-5	Pressure Washer 1/2" Media Industry		13	17	21	21	21	25	29	37

• Table CRSG 12 to 28 Discs

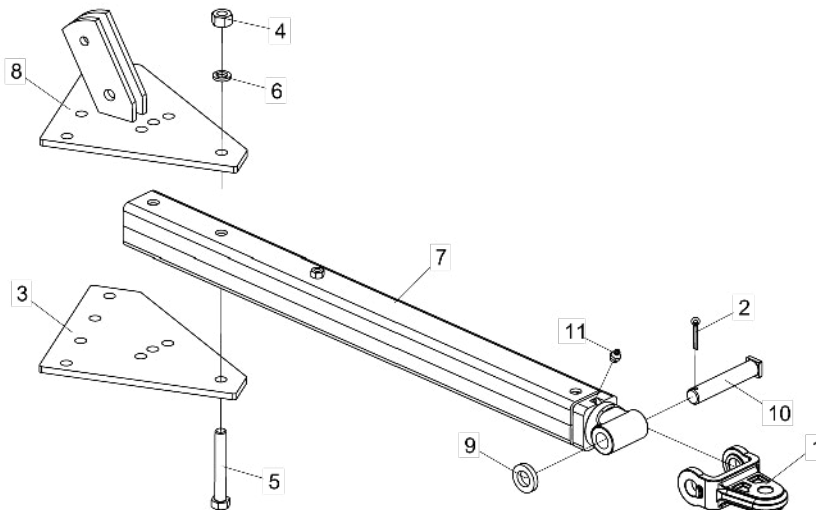
Item	Code	Product description	All	CRSG Discs								Item	Code	Product description	All	CRSG Discs								
				CRSG 12 Discs	CRSG 14 Discs	CRSG 16 Discs	CRSG 18 Discs	CRSG 20 Discs	CRSG 22 Discs	CRSG 24 Discs	CRSG 28 Discs					CRSG 12 Discs	CRSG 14 Discs	CRSG 16 Discs	CRSG 18 Discs	CRSG 20 Discs	CRSG 22 Discs	CRSG 24 Discs	CRSG 28 Discs	
40	6020010410-5	Pressure Washer 1/2" Media Industry - For Export		21	25	30	33	37	41	45	53	63	6020350402-3	Rim 5,5" X 16" 16.392				2	2	2	2	2	2	
41	6020310754-7	Hexagonal Nut 1/2" 12F W Gr5 Ch.7/8" Height 12,00Mm		12	16	20	20	20	24	28	36	64	6020310400-9	Tyre 600 X 16 X 6 Ply	2	2	2							
41	6020310754-7	Hexagonal Nut 1/2" 12F W Gr5 Ch.7/8" Height 12,00Mm - For Export		20	24	28	32	36	40	44	52	64	6020310406-8	Tyre 750 X 16 X 10 Ply				2	2	2	2	2	2	
42	6020010420-2	Pressure Washer 1" Media Industry		2	2	2						65	6020050350-6	Inner Tube 600X16	2	2	2							
42	6020010424-5	Pressure Washer 1.1/4" Media Industry					2	2	2	2	2	65	6020050356-5	Inner Tube 750X16				2	2	2	2	2	2	
43	6020310793-8	Hexagonal Nut 1.1/4" 7F Unc Gr5 Ch.2" Height 31,00Mm					2	2	2	2	2	66	6010600463-6	Spring Bushing	2									
44	6020050114-7	Cotterpin 1/4" X 1.1/2"	1									67	6020310778-4	Hexagonal Nut 1" 8F Unc Gr5 Ch.1.5/8" Height 25,00Mm	2									
45	6020310431-9	Hexagonal Head Bolt 1" X 4" 8F Unc1A Gr5 Rp	1									68	5566080078-5	Rod Of Ø1" X 565Mm	1									
46	6020310784-9	Hexagonal Nut 3/4" 10F Unc Gr5 Ch.1.1/4" Height 11,00Mm	4									69	6020250293-0	Helical Spring Ø43 X Ø67 X 157Mm	1									
47	6020390301-7	Lock Ø5,75 X 50Mm	1									Optional												
48	5460040002-1	Clamp "U" 26 X 95 X 6,4	1									70	5498100072-5	Complete Wheel 11 X 15 - BI 10 Ply					2	2	2	2	2	
49	6020311045-9	Hexagonal Head Bolt 1/2" X 1" 12FW Gr5 Rt	1									71	6020350397-3	Rim 10.0 Ply x15" (Wheel 11X15)					2	2	2	2	2	
50	5498100003-2	Complete Wheel 600 X 16		2	2	2						72	6020310413-0	Tyre 11X15 BI 10Ply					2	2	2	2	2	
50	5498100005-9	Complete Wheel 750 X 16					2	2	2	2	2	73	6020050362-0	Inner Tube Pa 15/16					2	2	2	2	2	
51	5372011084-5	Hose 3/8" X 5700Mm W/ 1Tcg And 1Trf		1	1	1						74	5352050048-7	Rear Scraper	3	4	5	5	5	6	7	9		
51	5372011086-1	Hose 3/8" X 6400Mm W/ 1Tcg And 1Trf					1	1	1	1	1	74	5352050048-7	Rear Scraper - For Export	5	6	7	8	9	10	11	13		
52	5530060020-3	Hoses Support	1									75	5352050049-5	Front Scraper	3	4	5	5	5	6	7	9		
53	5024010731-4	Smooth Washer Ø19,5 X Ø35 X 4,75mm	4									75	5352050049-5	Front Scraper - For Export	5	6	7	8	9	10	11	13		
54	5348050006-3	Complete Limiter Of Ø42 X 25Mm	1									76	5022011973-1	Rear Gang CRSG 28 Discs (for finishing discs)									1	
55	5372011083-7	Hose 3/8" X 5300Mm W/ 1Tcg And 1Trf		1	1	1																		
55	5372011085-3	Hose 3/8" X 6000Mm W/ 1Tcg And 1Trf					1	1	1	1	1													
56	5040010851-7	Stabilizer Bar	1																					
57	5352050040-1	Rear Scraper (2.1/2" X 5/8" With Slotted Hole)		3	4	5	5	5	6	7	9													
58	5040010852-5	Complete Hitch Transversal Bar		1	1	1																		
58	5040010873-8	Complete Hitch Transversal Bar					1	1	1	1	1													
59	5558040025-5	Piston Lock Of 348Mm		1	1	1																		
59	5558040009-3	Piston Lock Of 360Mm					1	1	1	1	1													
60	5204010537-9	Hub of Wheel Articulation Shaft	2																					
61	6020010414-8	Pressure Washer 3/4" Media Industry		3	3	3																		
61	6020010420-2	Pressure Washer 1" Media Industry					4	4	4	4	4													
62	6020310770-9	Hexagonal Nut 3/4" 10F Unc Gr5 Ch.1.7/32" Height 18,50Mm		3	3	3																		
62	6020310778-4	Hexagonal Nut 1" 8F Unc Gr5 Ch.1.5/8" Height 25,00Mm					4	4	4	4	4													
63	6020350400-7	Rim 4,50X16 F16.388 43/03 (Harrow)		2	2	2																		

• Hitch Drawbar CRSG 12 to 16 Discs



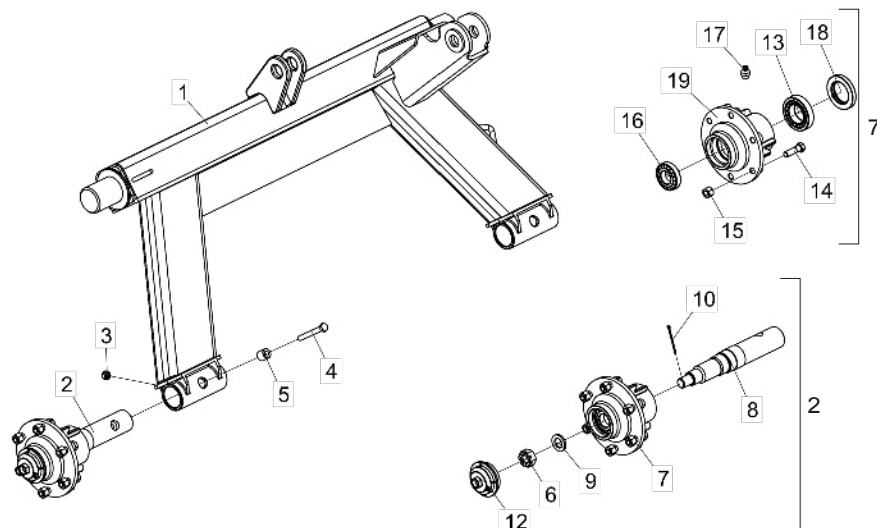
Item	Code	Product description	All
1	5332010094-8	Hitch Shackle	1
2	6020310778-4	Hexagonal Nut 1" 8F Unc Gr5 Ch.1.5/8" Height 25,00Mm	3
3	5136110028-3	Adjustment Plate	1
4	6020311136-6	Hexagonal Head Bolt 1" X 5.1/2" 8F Unc1A Gr5 Rp	2
5	5136110002-0	Adjustment Upper Plate	1
6	6020311139-0	Hexagonal Head Bolt 1" X 6.1/2" 8F Unc1A Gr5 Rp	1
7	6020010420-2	Pressure Washer 1" Media Industry	3
8	5084030014-2	Hitch Drawbar	1
9	6010602853-5	Large Type "U" Shackle Support	1
10	5024010720-9	Smooth Washer Of Ø39,5 X 70 X 4,75Mm	1
11	6020310348-7	Nut M29 X 3,00 Mb C18 Ch.60Mm H.30,00Mm Without Crown	1
12	6020050118-0	Cotterpin 1/4" X 2.1/2"	1
13	5530016587-6	Small Type "U" Shackle Support	1

• Hitch Drawbar CRSG 18 to 28 Discs



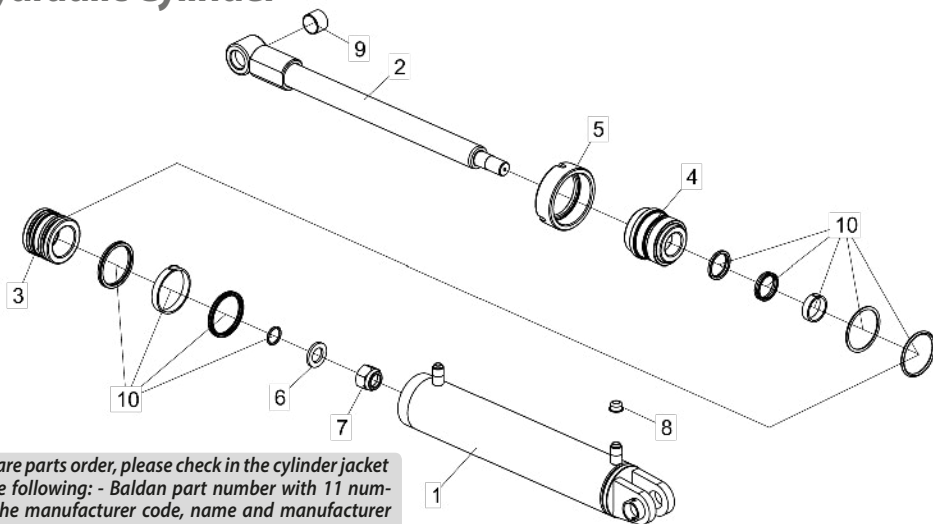
Item	Code	Product description	All
1	6010602851-9	Support Type "U" Of Shackle	1
2	6020050122-8	Cotterpin 3/8" X 2.1/2"	1
3	5136110063-1	Upper And Lower Plate Of Drawbar	1
4	6020310778-4	Hexagonal Nut 1" 8F Unc Gr5 Ch.1.5/8" Height 25,00Mm	2
5	6020311140-4	Hexagonal Head Bolt 1" X 7" 8F Unc1A Gr5 Rp	2
6	6020010420-2	Pressure Washer 1" Media Industry	2
7	5084010298-7	Hitch Drawbar	1
8	5136016860-7	Adjustment Upper Plate Of Drawbar	1
9	5024010217-7	Smooth Washer Ø39 X Ø68 X 12,00Mm	1
10	5432040003-4	Square Head Pin Ø37,5 X 190Mm	1
11	6020130108-7	Grease Fitting 1/8"	1

• Wheel Articulation Shaft



Item	Code	Product description	All	CRSG 12 to 16 Discs	CRSG 18 to 28 Discs
1	5232012201-5	Wheel Articulation Shaft		1	
1	5232012188-4	Wheel Articulation Shaft			1
2	5232012189-2	Wheel Shaft	2		
3	6020310847-0	Self-Locking Nut With Nylon M12 X 1,75 Ma Cl8 Ch.19Mm H.12,00Mm	2		
4	6020317451-1	Hexagonal Head Bolt M12 X 1,75 X 100Mm Cl8.8 Rp	2		
5	5080010155-4	Bushing Of The Spring Rod	2		
6	6020310800-4	Nut 1" 14F Uns Gr5 Ch.1.1/2" Height 22,00Mm	2		
7	5204010535-2	Complete Wheel Hub	2		
8	5232012190-6	Shaft Ø2.1/4" X 355mm	2		
9	5024010039-5	Smooth Washer Ø26,2 X Ø44 X 4,75Mm	2		
10	6020050100-7	Cotterpin 1/8" X 1.3/4"	2		
12	5096010053-8	Wheel Hub Cap	2		
13	6020350056-7	Bearing 32210	2		
14	6020310998-1	Hexagonal Head Bolt 9/16" X 2" 18F Unf1A Gr5 Rp	12		
15	6020310816-0	Double Conic Hexagonal Nut Of Wheel 9/16" 18F Unf Gr5 Ch.7/8" Height 19,00Mm	12		
16	6020350080-0	Bearing 30207	2		
17	6020130108-7	Grease Fitting 1/8"	2		
18	6020350224-1	Retainer Ø55,00 X Ø90,00 X 12,50Mm	2		
19	5204010536-0	Wheel Hub	2		

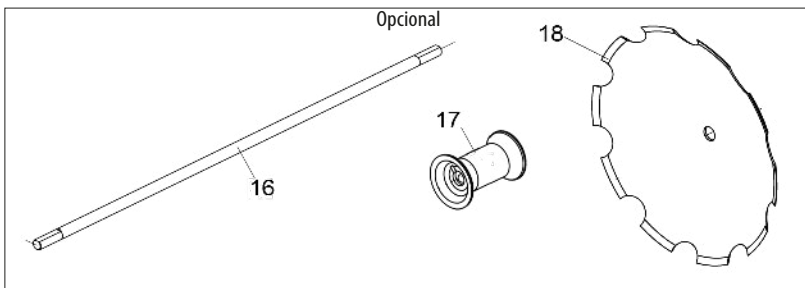
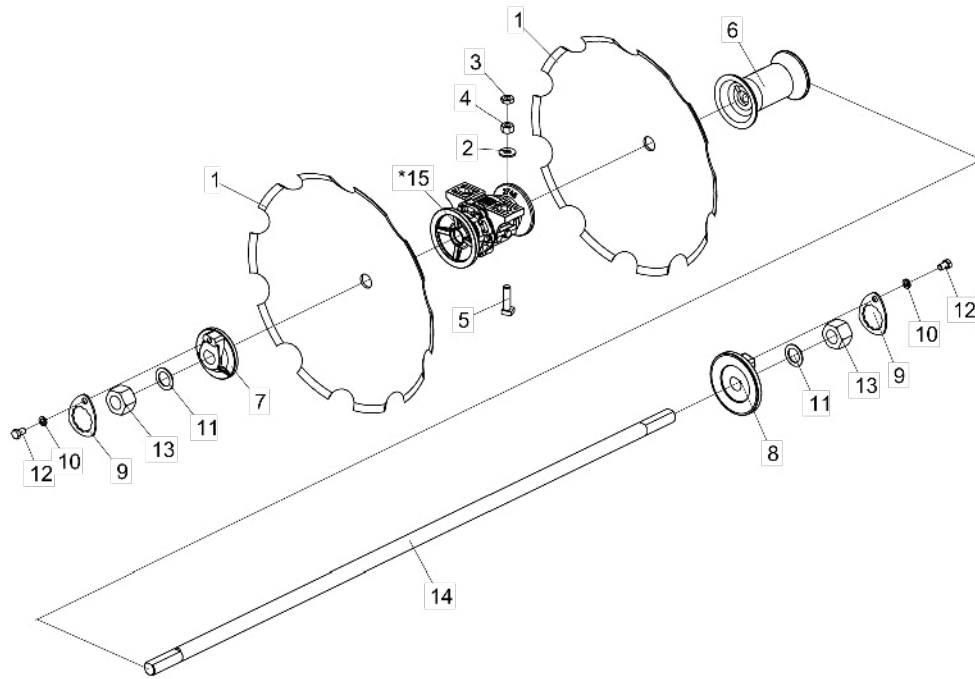
• Hydraulic Cylinder



For spare parts order, please check in the cylinder jacket (1), the following: - Baldan part number with 11 numbers, the manufacturer code, name and manufacturer date.

Item	Code	Product description	All	CRSG 12 to 16 Discs	CRSG 18 to 28 Discs
1	6020058782-3	Jacket Ø82,55 (3.1/4") x 515,5mm		1	
1	6020058696-7	Jacket Ø82,55 (3.1/4") x 550mm			1
2	6020150127-2	Piston Rod Ø41,27 (1.5/8") x 472mm		1	
2	6020150121-3	Piston Rod Ø41,27 (1.5/8") x 549mm			1
3	5236010004-9	Piston Plung Ø26,72 X Ø81,95 X 60MM	1		
4	6020058783-1	Piston Coupling Ø41,70 x Ø90,5 x 61mm		1	
4	6020058732-7	Piston Coupling Ø41,70 x Ø90,5 x 80mm			1
5	5456050003-6	Piston Nut Ø3.3/4" - 12fpp	1		
6	5024010323-8	Smooth Washer Ø27 X Ø44,5 X 4,75Mm	1		
7	6020310804-7	Self-Locking Nut With Nylon 1" 14F Uns Gr5 Ch.1.1/2" H.28,50Mm	1		
8	6020390042-5	Plastic Cover Bt-21	2		
9	6020030789-8	Bushing Ø35,7 x Ø32 x 25mm	1		
10	6020190066-5	Repair Kit For Hydraulic Cylinders "D.A" 1.5/8" X 3.1/4"	1		

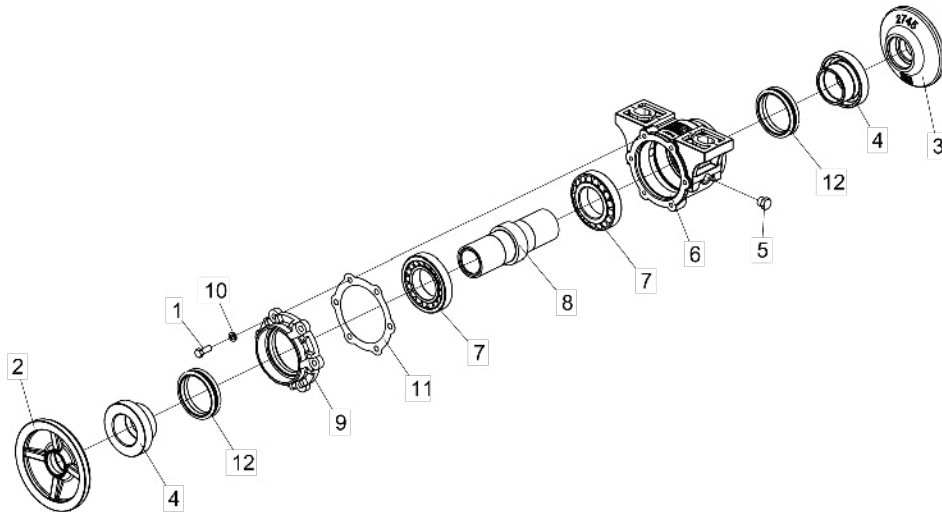
• Discs Section



Item	Code	Product description	CRSG 12 Discs	CRSG 14 Discs	CRSG 16 Discs	CRSG 18 Discs	CRSG 20 Discs	CRSG 22 Discs	CRSG 24 Discs	CRSG 28 Discs
1	2667420262-7	Concave Plain Disc Blade 24 X 5,00 Hc Rd 1.5/8 Single Bevel	12	14	16	18	20	22	24	28
1	2667430262-1	Concave Plain Disc Blade 24 X 6,00 Hc Rd 1.5/8 Single Bevel	12	14	16	18	20	22	24	28
1	2667430273-7	Concave Plain Disc Blade 24 X 6,00 Hc Rd 1.5/8 Internal Bevel	12	14	16	18	20	22	24	28
1	2767420262-3	Concave Notched Disc Blade 24 X 5,00 Hc Rd 1.5/8 Single Bevel	12	14	16	18	20	22	24	28
1	2767420273-9	Concave Notched Disc Blade 24 X 5,00 Hc Rd 1.5/8 Internal Bevel	12	14	16	18	20	22	24	28
1	2767430262-8	Concave Notched Disc Blade 24 X 6,00 Hc Rd 1.5/8 Single Bevel	12	14	16	18	20	22	24	28
1	2767430273-3	Concave Notched Disc Blade 24 X 6,00 Hc Rd 1.5/8 Internal Bevel	12	14	16	18	20	22	24	28
1	2767470262-6	Concave Notched Disc Blade 24 X 7,50 Hc Rd 1.5/8 Single Bevel	12	14	16	18	20	22	24	28
1	2767470273-1	Concave Notched Disc Blade 24 X 7,50 Hc Rd 1.5/8 Internal Bevel	12	14	16	18	20	22	24	28
1	2669420262-3	Concave Plain Disc Blade 26 X 5,00 Hc Rd 1.5/8 Single Bevel	12	14	16	18	20	22	24	28
1	2669430262-8	Concave Plain Disc Blade 26 X 6,00 Hc Rd 1.5/8 Single Bevel	12	14	16	18	20	22	24	28
1	2669430273-3	Concave Plain Disc Blade 26 X 6,00 Hc Rd 1.5/8 Internal Bevel	12	14	16	18	20	22	24	28
1	2669470273-1	Concave Plain Disc Blade 26 X 7,50 Hc Rd 1.5/8 Internal Bevel	12	14	16	18	20	22	24	28
1	2769420262-0	Concave Notched Disc Blade 26 X 5,00 Hc Rd 1.5/8 Single Bevel	12	14	16	18	20	22	24	28
1	2769420273-5	Concave Notched Disc Blade 26 X 5,00 Hc Rd 1.5/8 Internal Bevel	12	14	16	18	20	22	24	28
1	2769430262-4	Concave Notched Disc Blade 26 X 6,00 Hc Rd 1.5/8 Single Bevel	12	14	16	18	20	22	24	28
1	2769430273-0	Concave Notched Disc Blade 26 X 6,00 Hc Rd 1.5/8 Internal Bevel	12	14	16	18	20	22	24	28
1	2769470262-2	Concave Notched Disc Blade 26 X 7,50 Hc Rd 1.5/8 Single Bevel	12	14	16	18	20	22	24	28
1	2769470273-8	Concave Notched Disc Blade 26 X 7,50 Hc Rd 1.5/8 Internal Bevel	12	14	16	18	20	22	24	28
1	2670430262-1	Concave Plain Disc Blade 28 X 6,00 Hc Rd 1.5/8 Single Bevel	12	14	16	18	20	22	24	28
1	2670430273-7	Concave Plain Disc Blade 28 X 6,00 Hc Rd 1.5/8 Internal Bevel	12	14	16	18	20	22	24	28
1	2770420262-3	Concave Notched Disc Blade 28 X 5,00 Hc Rd 1.5/8 Single Bevel	12	14	16	18	20	22	24	28
1	2770420273-9	Concave Notched Disc Blade 28 X 5,00 Hc Rd 1.5/8 Internal Bevel	12	14	16	18	20	22	24	28
1	2770430262-8	Concave Notched Disc Blade 28 X 6,00 Hc Rd 1.5/8 Single Bevel	12	14	16	18	20	22	24	28
1	2770430273-3	Concave Notched Disc Blade 28 X 6,00 Hc Rd 1.5/8 Internal Bevel	12	14	16	18	20	22	24	28
1	2770470262-6	Concave Notched Disc Blade 28 X 7,50 Hc Rd 1.5/8 Single Bevel	12	14	16	18	20	22	24	28
1	2770470273-1	Concave Notched Disc Blade 28 X 7,50 Hc Rd 1.5/8 Internal Bevel	12	14	16	18	20	22	24	28
2	5024010007-7	Smooth Washer Ø20,3 X Ø46,5 X 4,75Mm	8	8	8	12	16	16	16	16
3	6020310784-9	Hexagonal Nut 3/4" 10F Unc Gr5 Ch.1.1/4" Height 11,00Mm	8	8	8	12	16	16	16	16
4	6020310770-9	Hexagonal Nut 3/4" 10F Unc Gr5 Ch.1.7/32" Height 18,50Mm	8	8	8	12	16	16	16	16
5	6020310240-5	Square Head Bolt 3/4" X 2.3/4" 10F Unc1A Gr5 Excentric Rp	8	8	8	12	16	16	16	16
6	5120010056-9	Spool 225Mm for Shaft Ø1.5/8" (M.R)	6	8	10	10				
6	5120010011-9	Spool 225Mm For Shaft ø1.5/8"					8	10	12	16
7	5024010366-1	Convex Washer Ø1.5/8"	2	2	2	2	4	4	4	4
8	5024010365-3	Concave Washer Ø1.5/8"	2	2	2	2	4	4	4	4
9	5558010096-0	Lock Nut Shaft	4	4	4	4	8	8	8	8
10	6020010412-1	Pressure Washer 5/8" Media Industry	4	4	4	4	8	8	8	8
11	5024010367-0	Smooth Washer Ø43 X Ø78 X 3,00Mm	4	4	4	4	8	6	6	6
12	6020310183-2	Hexagonal Head Bolt 5/8" X 1" 11F Unc1A Gr2 Rt	4	4	4	4	8	8	8	8
13	5456010072-0	Hexagonal Nut Ø1.5/8" 7Fpp-W Gr5 Wrench 69Mm Height 44Mm (Special)	4	4	4	4	8	8	8	8
14	5232010345-2	Shaft Ø1.5/8" X 1390Mm	2							
14	5232050005-2	Shaft Ø1.5/8" X 1620Mm		2						4
14	5232010625-7	Shaft Ø1.5/8" X 1880Mm			2					
14	5232050159-8	Shaft Ø1.5/8" X 2110Mm				2				
14	5232050267-5	Shaft Ø1.5/8" X 1160Mm					4	2		
*15	5368010722-6	Complete Axial (Oil) Front/Rear Bearing 250Mm W/Protection For Shaft Ø1.5/8"	4	4	4	6	8	8	8	8
Optional										
16	5232050260-8	Shaft Ø1.5/8" x 1850mm								1
16	5232050005-2	Shaft Ø1.5/8" X 1620Mm								3
17	5120010056-9	Spool 225Mm for Shaft Ø1.5/8"								17
18	2767430273-3	Concave Notched Disc Blade 24" X 6,00 FC RD 1.5/8" Internal Bevel								1

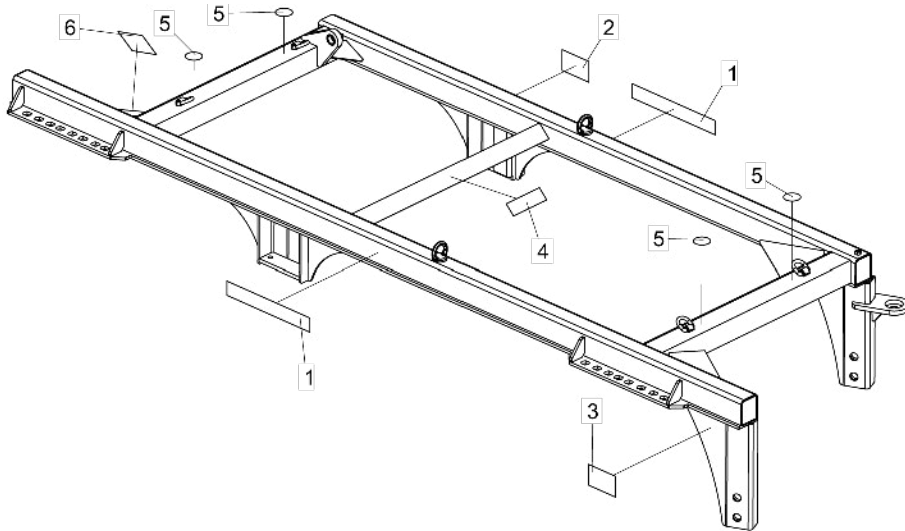
* Item 15 - See page 10

• Axial Bearing (Oil)



Item	Code	Product description	All
1	6020310021-6	Hexagonal Head Bolt 3/8" X 1" 16F Unc1A Gr5 Rt	6
2	5024010729-2	Concave Washer	1
3	5024010730-6	Convex Washer	1
4	5080010247-0	Bushing 1.5/8"	2
5	5081010007-6	Hexagonal Head Plug 3/4" - R.3/8" - 19F - Bspt(Gas)	2
6	5368010697-1	Spare Front/Rear Oil Bearing (Without Protection) BEARING PROTECTOR BAL54640200360	1
7	6020350072-9	Bearing 30212	2
8	5080010686-6	Bearing Bushing	1
9	5538010155-5	Bearing Cover	1
10	6020010406-7	Pressure Washer 3/8" Media Industry	6
11	6020190107-6	Gascket Ø112 X Ø143 X 1/64"	6
12	6020010297-8	Oring Ø77 X Ø93Mm	2

• Stickers



Item	Code	Product description	All
1	6020071096-0	Sticker Crsg-Baldan (500 X 65Mm)	2
2	5206010308-9	Sticker Hydraulic Hoses Warning(150 X 95Mm)	1
3	5206010310-0	Sticker Disc Warning (150 X 95Mm)	1
4	6020070886-8	Sticker Lubricate And Retighten (58 X 195Mm)	1
5	6020072250-0	Sticker Hook-up Point(Ø70mm)	4
6	5206010150-7	Sticker - Warning -Place Piston Lock For Transport	1



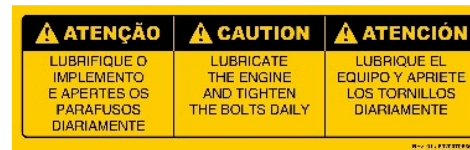
Item 1



Item 2



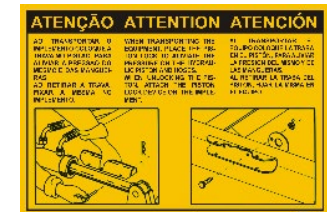
Item 3



Item 4



Item 5



Item 6

■ Numerical Index

Code	Page	Item	Code	Page	Item	Code	Page	Item	Code	Page	Item	Code	Page	Item	Code	Page	Item
2667420262-7	9	1	5022011847-6	5	4	5138010019-7	5	7	5432010025-1	5	14	6020050118-0	5	34	6020310770-9	5	37
2667430262-1	9	1	5022011848-4	5	5	5138010031-6	5	8	5432040003-4	7	10	6020050118-0	7	12	6020310770-9	6	62
2667430273-7	9	1	5022011849-2	5	4	5138020001-9	5	9	5432060023-8	5	14	6020050122-8	7	2	6020310770-9	9	4
2669420262-3	9	1	5022011973-1	6	76	5138050016-0	5	10	5432120045-4	5	29	6020050350-6	6	65	6020310778-4	5	19
2669430262-8	9	1	5024010007-7	5	15	5204010535-2	8	7	5432120090-0	5	28	6020050356-5	6	65	6020310778-4	6	62
2669430273-3	9	1	5024010007-7	9	2	5204010536-0	8	19	5456010072-0	9	13	6020050362-0	6	73	6020310778-4	6	67
2669470273-1	9	1	5024010039-5	8	9	5204010537-9	6	60	5456050003-6	8	5	6020058695-9	5	*3	6020310778-4	7	2
2670430262-1	9	1	5024010061-1	5	12	5206010150-7	11	6	5460040002-1	6	48	6020058696-7	8	1	6020310778-4	7	4
2670430273-7	9	1	5024010068-9	5	18	5206010308-9	11	2	5498100003-2	6	50	6020058707-6	5	10	6020310784-9	6	46
2767420262-3	9	1	5024010068-9	5	18	5206010310-0	11	3	5498100005-9	6	50	6020058732-7	8	4	6020310784-9	9	3
2767420273-9	9	1	5024010217-7	7	9	5232010345-2	9	14	5498100072-5	6	70	6020058780-7	5	*3	6020310793-8	6	43
2767430262-8	9	1	5024010323-8	8	6	5232010625-7	9	14	5530016587-6	7	13	6020058782-3	8	1	6020310800-4	8	6
2767430273-3	9	18	5024010365-3	9	8	5232012187-6	5	*2	5530060020-3	6	52	6020058783-1	8	4	6020310804-7	8	7
2767430273-3	9	1	5024010366-1	9	7	5232012188-4	8	1	5538010155-5	10	9	6020070886-8	11	4	6020310816-0	8	15
2767470262-6	9	1	5024010367-0	9	11	5232012189-2	8	2	5558010096-0	9	9	6020071096-0	11	1	6020310847-0	8	3
2767470273-1	9	1	5024010401-3	5	24	5232012190-6	8	8	5558040009-3	6	59	6020072250-0	11	5	6020310998-1	8	14
2769420262-0	9	1	5024010720-9	7	10	5232012201-5	8	1	5558040025-5	6	59	6020130108-7	7	11	6020311045-9	6	49
2769420273-5	9	1	5024010729-2	10	2	5232012202-3	5	*2	5558210003-8	5	25	6020130108-7	8	17	6020311104-8	5	33
2769430262-4	9	1	5024010730-6	10	3	5232050005-2	9	16	5566010026-0	5	16	6020150121-3	8	2	6020311136-6	7	4
2769430273-0	9	1	5024010731-4	6	53	5232050005-2	9	14	5566080078-5	6	68	6020150127-2	8	2	6020311139-0	5	13
2769470262-2	9	1	5024010737-3	5	26	5232050159-8	9	14	6010600463-6	6	66	6020190066-5	8	10	6020311139-0	7	6
2769470273-8	9	1	5040010851-7	6	56	5232050260-8	9	16	6010602832-2	5	17	6020190107-6	10	11	6020311140-4	5	33
2770420262-3	9	1	5040010852-5	6	58	5232050267-5	9	14	6010602833-0	5	17	6020250293-0	6	69	6020311140-4	7	5
2770420273-9	9	1	5040010873-8	6	58	5236010004-9	8	3	6010602851-9	7	1	6020310021-6	10	1	6020311156-0	5	13
2770430262-8	9	1	5080010155-4	8	5	5332010094-8	7	1	6010602853-5	7	9	6020310144-1	5	39	6020311195-1	5	21
2770430273-3	9	1	5080010247-0	10	4	5348050006-3	6	54	6020010297-8	10	12	6020310144-1	5	39	6020317451-1	8	4
2770470262-6	9	1	5080010686-6	10	8	5348050009-8	5	27	6020010406-7	10	10	6020310183-2	9	12	6020350056-7	8	13
2770470273-1	9	1	5081010007-6	10	5	5352050039-8	5	11	6020010410-5	5	40	6020310240-5	9	5	6020350072-9	10	7
5022011834-4	5	5	5084010297-9	5	*1	5352050040-1	6	57	6020010410-5	6	40	6020310242-1	5	36	6020350080-0	8	16
5022011835-2	5	4	5084010298-7	7	7	5352050048-7	6	74	6020010412-1	9	10	6020310348-7	7	11	6020350224-1	8	18
5022011836-0	5	5	5084010307-0	5	*1	5352050048-7	6	74	6020010414-8	6	61	6020310400-9	6	64	6020350397-3	6	71
5022011837-9	5	4	5084030014-2	7	8	5352050049-5	6	75	6020010420-2	5	20	6020310406-8	6	64	6020350400-7	6	63
5022011838-7	5	5	5096010053-8	8	12	5352050049-5	6	75	6020010420-2	6	42	6020310413-0	6	72	6020350402-3	6	63
5022011839-5	5	4	5120010011-9	9	6	5368010697-1	10	6	6020010420-2	6	61	6020310421-1	5	22	6020390042-5	8	8
5022011840-9	5	5	5120010056-9	9	17	5368010722-6	9	*15	6020010420-2	7	7	6020310431-9	6	45	6020390301-7	6	47
5022011841-7	5	4	5120010056-9	9	6	5372011083-7	6	55	6020010420-2	7	6	6020310595-1	5	31	6020390308-4	5	23
5022011842-5	5	5	5136016860-7	7	8	5372011084-5	6	51	6020010424-5	6	42	6020310598-6	5	30			
5022011843-3	5	4	5136110002-0	7	5	5372011085-3	6	55	6020030789-8	8	9	6020310665-6	5	32			
5022011844-1	5	5	5136110028-3	7	3	5372011086-1	6	51	6020050100-7	8	10	6020310754-7	6	41			
5022011845-0	5	4	5136110063-1	7	3	5404010965-2	5	6	6020050114-7	6	44	6020310754-7	6	41			
5022011846-8	5	5	5138010007-3	5	8	5404010966-0	5	6	6020050116-3	5	35	6020310760-1	5	38			



Avenida Baldan, 1500
Nova Matão
15.993-900
Matão/SP - Brasil
sac@baldan.com.br
export@baldan.com.br

+55 16 3221 6500
baldan.com.br