



TDNG 320.420.520

TDNG

320.420.520.SEED

TDNG is well known in the market for its great resistance and durability of its chassis, drawbar and row units in heavy and light crop residue in a variety of field conditions. Available in a variety of sizes and models to match seeding needs in no-till, and specially designed for the seeding of small grain such as: wheat, barley, oats, rice, millet, canola, alfalfa, rye and sorghum.

The most advanced technology combined with Semeato's tradition on building seeding drills, was put to use to develop this seeding machine that is more reliable, more accurate, and above all, more productive than others on the market today.



TDNG

320.420.520.SEED

TDNG is well known in the market for its great resistance and durability of its chassis, drawbar and row units in heavy and light crop residue in a variety of field conditions. Available in a variety of sizes and models to match seeding needs in no-till, and specially designed for the seeding of small grain such as: wheat, barley, oats, rice, millet, canola, alfalfa, rye and sorghum.

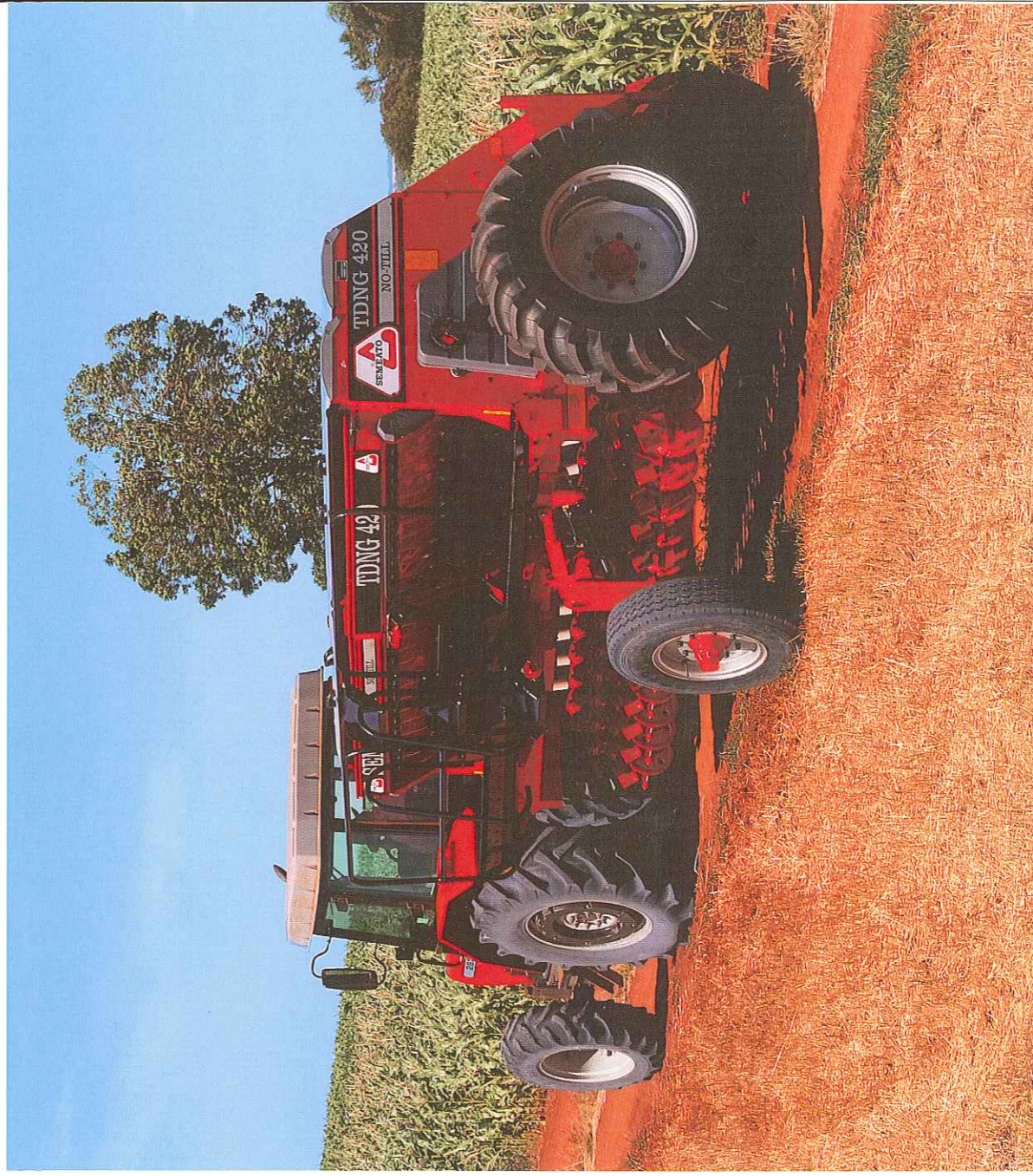
The most advanced technology combined with Semeato's tradition on building seeding drills, was put to use to develop this seeding machine that is more reliable, more accurate, and above all, more productive than others on the market today.



Hydraulic lateral end tow offers convenience during conversion from seeding to transporting with reduced width of 3 meters, making it possible to move the seeder easily inside the field, through bridges, gates and roads, obeying international traffic laws.



HYDRAULIC LATERAL END TOW



Articulated Drive Wheel (Patent by Semeato) allows the drive wheel to follow the terrain undulations, keeping the tires always in contact with the soil. The hydraulic cylinder acts on the alternator shaft, moving the rows up and down. When moving downwards you can limit its course through an adjuster located at the cylinder rod.



TDNG 320.420.520



SEED / FERTILIZER ROW

* Seed/ Fertilizer Row: TDNG Seed/ Fertilizer rows allow great fluctuation, which makes seeding on uneven terrains easier and more efficient.

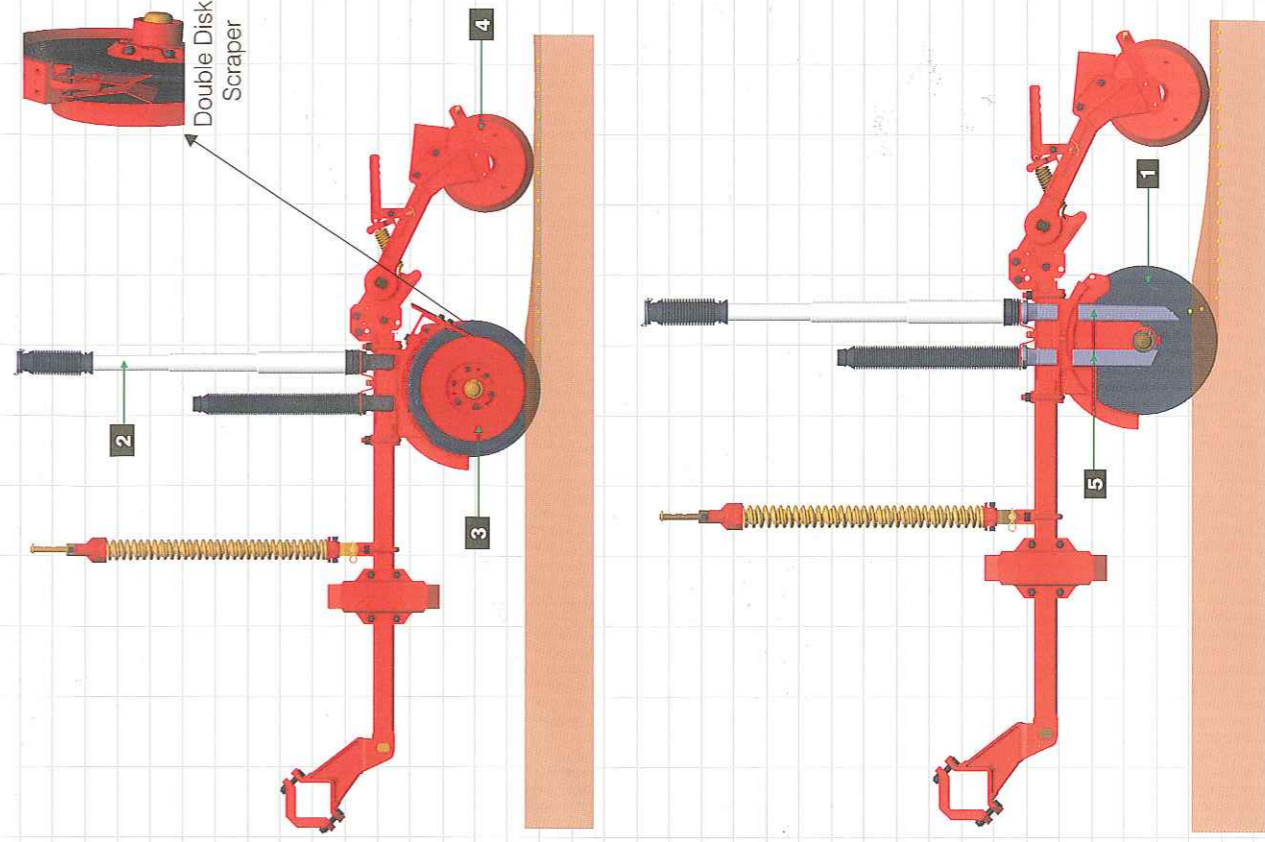
1 Double Disk Furrow Opener is available with different size disks (15" and 16"), assembled at the same center and reduced angle. Equipped with double disk scrapers, which provides a combination of adjustable scrapers formed in such a way that the entire inner surface of the disks will be thoroughly scraped and cleared of all mud and dirt.

2 *Telescopic Seed/ Fertilizer Tubes keeps the meter full at all times yet extremely reliable and allows excellent row unit flexibility up and down.

3 Depth Control Ring for accurate furrow opening and precise seed placement. It also features a depth control ring scraper, which removes the mud and dirt from the ring surface.

4 *NG Pressing Wheels gently firms around the seed, without compacting soil directly above. This process eliminates air pockets, avoids crusting, and creates positive seed-to-soil contact. Seed gets the best shot at quick germination for an even stand.

5 Straight Seed Tubes deposit seed closer to the bottom of the opener. It can also be easily removed (without the utilization of any tools) for inspection or substitution.



OPTIONAL ITEMS

- Safety Lighting Package is available for every Semeato's Drill. The kit can be quickly installed and provides a high level of visibility and safety during transport from one field to another.

- Heavy duty no-till markers are available with structural integrity and weight needed to penetrate no-till residue in the soil.

- Hydraulic lateral end tow.

- Flat Coulter Disks suited for high crop residue no-till field conditions.

- Electronic Hectare Counter an easy operation monitor that holds functions such as: working time and working speed.

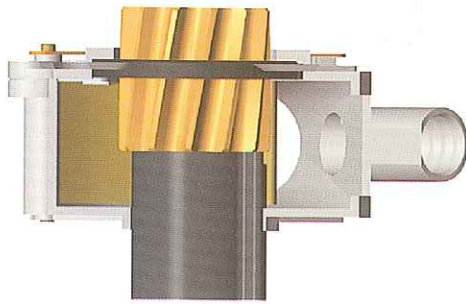
NEW SYSTEM PASTURE BOX

Our latest development is the New Pasture Box Metering System, specially projected to meter very small seeds, such as: canola and alfalfa. Seed volume variations does not occur through meter wheel adjustment but through a speed box, which controls the seed volume.



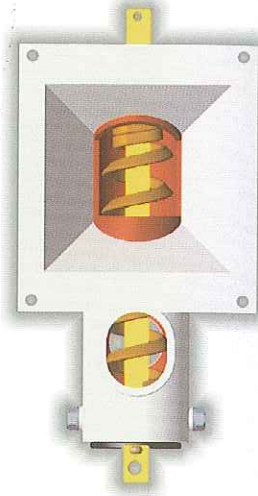
SEED METERING

Fluted Feed Cup Semeato's exclusive fluted feed cup delivers outstanding accuracy. Whether the seed you are drilling is small or fragile our time proven metering system will deliver the rate you choose, evenly and gently.



FERTILIZER METERING

Auger Metering System- PVC tube was incorporated to the auger metering system in order to facilitate cleaning and auger changing. The auger metering attachment maintains an accurate delivery of granular fertilizer, adjusted by changing chain sprockets to alternate its rotation speed.



TECHNICAL SPECIFICATIONS

TDNG 320

	With Lateral Transport	Without Lateral Transport
Number of rows	20 x 17 cm	20 x 17 cm
Speed	4 to 8 km/h	4 to 8 km/h
Approximated tractor power requirement	95 HP	95 HP
Seed box capacity - maximum	950 L ~ 720 kg	950 L ~ 720 kg
Seed box capacity - minimum	600 L ~ 460 kg	600 L ~ 460 kg
Fertilizer box capacity - maximum	1200 L ~ 1350 kg	1200 L ~ 1350 kg
Fertilizer box capacity - minimum	850 L ~ 960 kg	850 L ~ 960 kg
Seed box capacity (seed version)	1800 L ~ 1380 kg	1800 L ~ 1380 kg
Pasture box capacity	110 L	110 L
Machine Tires	14.9x28 TM 95	14.9x28 TM 95
Lateral transport tires	1000R20 - G359	-
Transport length	5,50 m	4,41 m
Transport width	3,00 m	4,73 m
Sowing width	4,73 m	4,73 m
Working width	3,40 m	3,40 m
Useful width	3,23 m	3,23 m
Drawbar in vertical position	-	2,75 m
Drawbar in horizontal position	-	2,15 m
Drawbar in working position	2,10 m	-
Drawbar in transport position	2,50 m	-
Weight	4500 kg	3650 kg

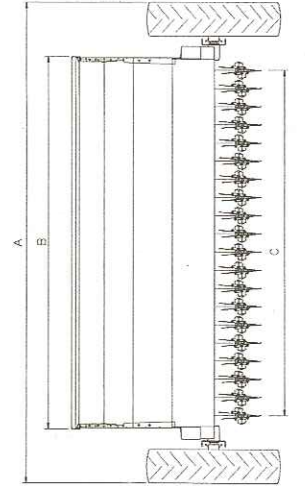
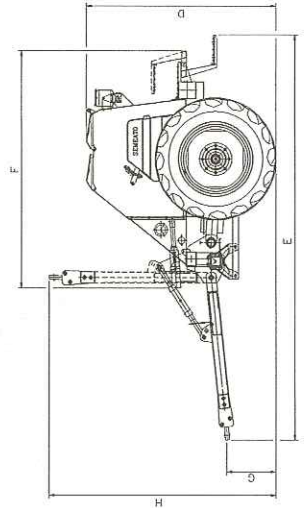
TDNG 420

	With Lateral Transport	Without Lateral Transport
Number of rows	26 x 17 cm	26 x 17 cm
Speed	4 to 8 km/h	4 to 8 km/h
Approximated tractor power requirement	120 HP	120 HP
Seed box capacity - maximum	1200 L ~ 915 kg	1200 L ~ 915 kg
Seed box capacity - minimum	800 L ~ 610 kg	800 L ~ 610 kg
Fertilizer box capacity - maximum	1500 L ~ 1700 kg	1500 L ~ 1700 kg
Fertilizer box capacity - minimum	1100 L ~ 1250 kg	1100 L ~ 1250 kg
Seed box capacity (seed version)	2250 L ~ 1725 kg	2250 L ~ 1725 kg
Pasture box capacity	140 L	140 L
Machine tires	16.9x28 TM 95	16.9x28 TM 95
Lateral transport tires	1000R20 - G359	-
Transport length	6,80 m	4,41 m
Transport width	3,00 m	6,00 m
Sowing width	6,00 m	6,00 m
Working width	4,42 m	4,42 m
Useful width	4,25 m	4,25 m
Drawbar in vertical position	-	2,85 m
Drawbar in horizontal position	-	2,00 m
Drawbar in working position	2,14 m	-
Drawbar in transport position	2,50 m	-
Weight	4500 kg	4750 kg

TDNG 520

	With Lateral Transport	Without Lateral Transport
Number of rows	32 x 17 cm	32 x 17 cm
Speed	4 to 8 km/h	4 to 8 km/h
Approximated tractor power requirement	140 HP	140 HP
Seed box capacity - maximum	1500 L ~ 1125 kg	1500 L ~ 1125 kg
Seed box capacity - minimum	980 L ~ 735 kg	980 L ~ 735 kg
Fertilizer box capacity - maximum	1880 L ~ 2125 kg	1880 L ~ 2125 kg
Fertilizer box capacity - minimum	1355 L ~ 1530 kg	1355 L ~ 1530 kg
Seed box capacity (seed version)	2720 L ~ 2050 kg	2720 L ~ 2050 kg
Pasture box capacity	170 L	170 L
Machine tires	18.4x30 TM 95	18.4x28 TM 95
Lateral transport tires	1000R20 - G359	-
Transport length	7,85 m	4,62 m
Transport width	3,00 m	7,10 m
Sowing width	5,78 m	5,78 m
Working width	5,27 m	5,44 m
Useful width	5,44 m	5,27 m
Drawbar in vertical position	-	2,95 m
Drawbar in horizontal position	-	2,25 m
Drawbar in working position	2,97 m	-
Drawbar in transport position	3,47 m	-
Weight	6450 kg	5640 kg

MODELOS	A	B	C	D	E	F	G	H
TDNG 320	4,73 m	3,53 m	3,23 m	1,95 m	4,41 m	2,44 m	0,51 m	2,75 m
TDNG 420	6,00 m	4,55 m	4,25 m	2,00 m	4,41 m	2,44 m	0,51 m	2,85 m
TDNG 520	7,10 m	5,55 m	5,25 m	2,16 m	4,62 m	2,50 m	0,51 m	2,95 m



Due to all efforts for continued on-going product improvement SEMEATO reserves the rights to change any specification or component without previous notice.
January/2008



SEMEATO S/A INDÚSTRIA E COMÉRCIO

Phone: + 55 54 3327 1811

Fax: + 55 54 3327 3365

export@semeato.com.br

www.semeato.com.br